



US00D723536S

(12) **United States Design Patent**
Werth

(10) **Patent No.:** **US D723,536 S**
(45) **Date of Patent:** **** Mar. 3, 2015**

(54) **VIEWING STAND**

(71) Applicant: **Saint-Gobain Performance Plastics Corporation**, Aurora, OH (US)
(72) Inventor: **Albert A. Werth**, Elk Rapids, MI (US)
(73) Assignee: **Saint-Gobain Performance Plastics Corporation**, Aurora, OH (US)
(**) Term: **14 Years**
(21) Appl. No.: **29/475,804**
(22) Filed: **Dec. 6, 2013**

Related U.S. Application Data

(60) Division of application No. 29/446,540, filed on Feb. 25, 2013, now Pat. No. Des. 703,659, which is a
(Continued)

(51) **LOC (10) Cl.** **14-03**

(52) **U.S. Cl.**
USPC **D14/253**

(58) **Field of Classification Search**

CPC H04W 4/00
USPC D14/140, 217, 224, 224.1, 229, 240,
D14/243, 250–253, 299, 344, 434, 447,
D14/451–452, 483, 496; D13/108;
361/679.41; 439/534; 320/115, 116,
320/107; D8/355, 363; D12/415, 418;
379/449, 455, 165; 248/122.1, 127,
248/157, 205.8, 206.2, 279.1, 205.5, 309.1,
248/309.3, 352; D3/201, 218, 269, 273,
D3/301; D11/79; 63/26

See application file for complete search history.

(56) **References Cited**

U.S. PATENT DOCUMENTS

D390,849 S 2/1998 Richter et al.
D411,543 S 6/1999 Richter

(Continued)

FOREIGN PATENT DOCUMENTS

JP 2005142671 A 6/2005

Primary Examiner — Randall Gholson

(74) *Attorney, Agent, or Firm* — Abel Law Group, LLP; Chi Suk Kim

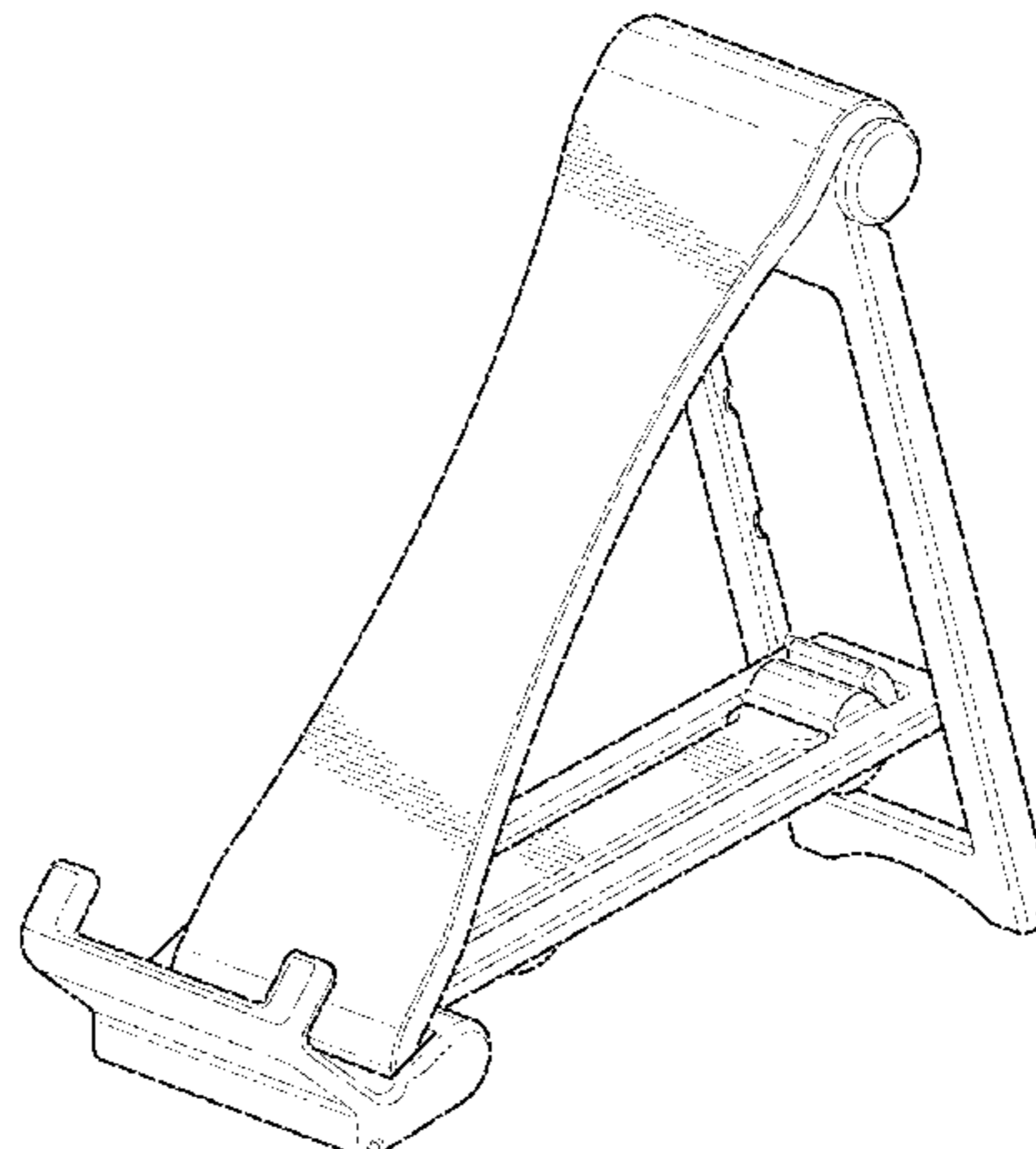
(57) **CLAIM**

The ornamental design for a viewing stand, as shown and described.

DESCRIPTION

FIG. 1 is a top perspective view of the viewing stand in an assembled configuration;
FIG. 2 is a bottom perspective view of the viewing stand of FIG. 1;
FIG. 3 is a front elevational view of the viewing stand of FIG. 1;
FIG. 4 is a rear elevational view of the viewing stand of FIG. 1;
FIG. 5 is a left side elevational view of the viewing stand of FIG. 1;
FIG. 6 is a right side elevational view of the viewing stand of FIG. 1;
FIG. 7 is a top plan view of the viewing stand of FIG. 1;
FIG. 8 is a bottom plan view of the viewing stand of FIG. 1;
FIG. 9 is a top perspective view of the viewing stand of FIG. 1 in a folded configuration;
FIG. 10 is a bottom perspective view of the viewing stand of FIG. 9;
FIG. 11 is a front elevational view of the viewing stand of FIG. 9;
FIG. 12 is a rear elevational view of the viewing stand of FIG. 9;
FIG. 13 is a left side elevational view of the viewing stand of FIG. 9;
FIG. 14 is a right side elevational view of the viewing stand of FIG. 9;
FIG. 15 is a top plan view of the viewing stand of FIG. 9;
FIG. 16 is a bottom plan view of the viewing stand of FIG. 9;
FIG. 17 is a top perspective view of the viewing stand of FIG. 1 in a keyboard configuration;
FIG. 18 is a bottom perspective view of the viewing stand of FIG. 17;
FIG. 19 is a front elevational view of the viewing stand of FIG. 17;
FIG. 20 is a rear elevational view of the viewing stand of FIG. 17;
FIG. 21 is a left side elevational view of the viewing stand of FIG. 17;
FIG. 22 is a right side elevational view of the viewing stand of FIG. 17;
FIG. 23 is a top plan view of the viewing stand of FIG. 17; and,
FIG. 24 is a bottom plan view of the viewing stand of FIG. 17.

1 Claim, 17 Drawing Sheets



Related U.S. Application Data

division of application No. 29/394,706, filed on Jun. 21, 2011, now Pat. No. Des. 679,700, which is a continuation of application No. 29/368,007, filed on Aug. 17, 2010, now Pat. No. Des. 658,168.

(56)

References Cited

U.S. PATENT DOCUMENTS

6,193,546	B1	2/2001	Sadler	
D471,548	S	3/2003	Zheng	
6,672,549	B2	1/2004	Kolb	
6,971,622	B2	12/2005	Ziegler et al.	
7,035,100	B2*	4/2006	Lord	361/679.41
D554,647	S	11/2007	Chan	
D557,259	S	12/2007	Hirsch	
D574,375	S	8/2008	Prest et al.	
D602,025	S	10/2009	Richter	
D606,065	S	12/2009	Rihu	
D613,731	S	4/2010	Yeo	
D619,586	S	7/2010	Richter	
D619,587	S	7/2010	Richter	

D626,964	S	11/2010	Richardson et al.	
D627,624	S	11/2010	Brassard	
D638,008	S	5/2011	Richter	
D639,816	S	* 6/2011	Bau	D14/447
D640,247	S	6/2011	Baumann et al.	
D646,315	S	10/2011	Orf	
D651,213	S	12/2011	Magness et al.	
D652,422	S	1/2012	Cheng	
D658,168	S	4/2012	Werth	
D658,170	S	4/2012	Chen et al.	
D659,147	S	5/2012	Hu et al.	
D663,294	S	7/2012	Buxton	
D664,141	S	7/2012	Haymond	
D664,528	S	7/2012	Chen et al.	
D669,481	S	10/2012	Prescott et al.	
D672,783	S	12/2012	Robinson	
D676,055	S	2/2013	Izen et al.	
2004/0097127	A1	5/2004	Smith et al.	
2005/0263666	A1	12/2005	Kim	
2008/0156836	A1	7/2008	Wadsworth et al.	
2009/0060473	A1	3/2009	Kohte et al.	
2009/0179132	A1	7/2009	Qin et al.	

* cited by examiner

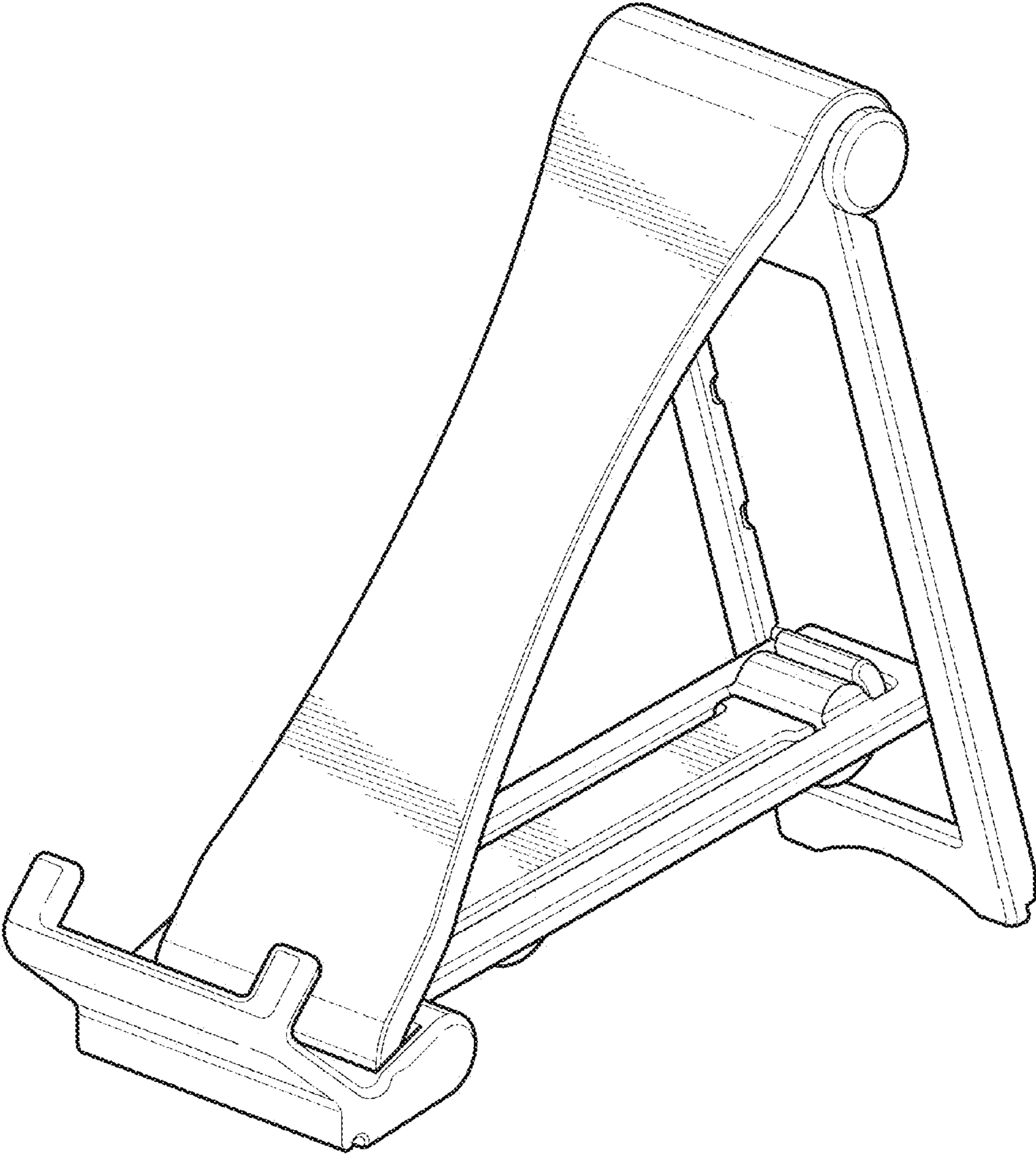


FIG. 1

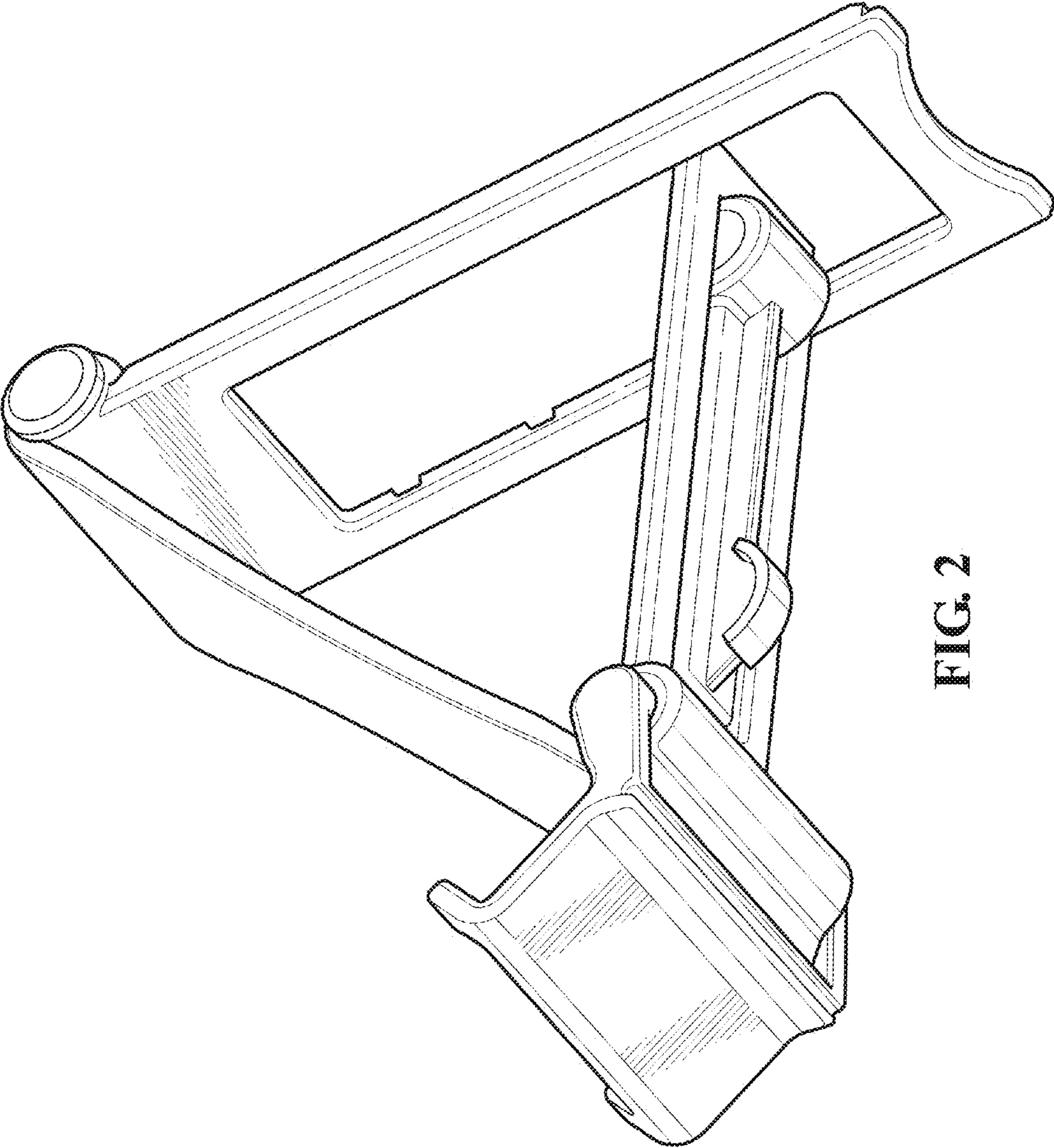


FIG. 2

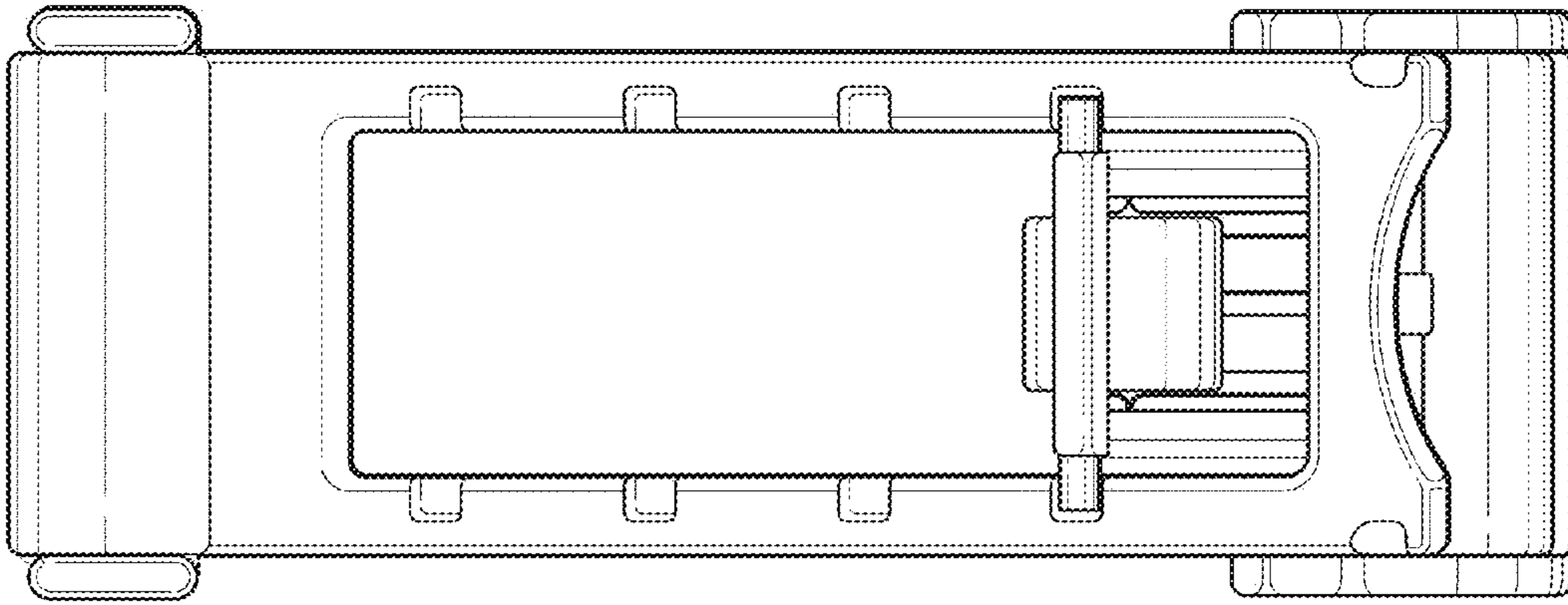


FIG. 4

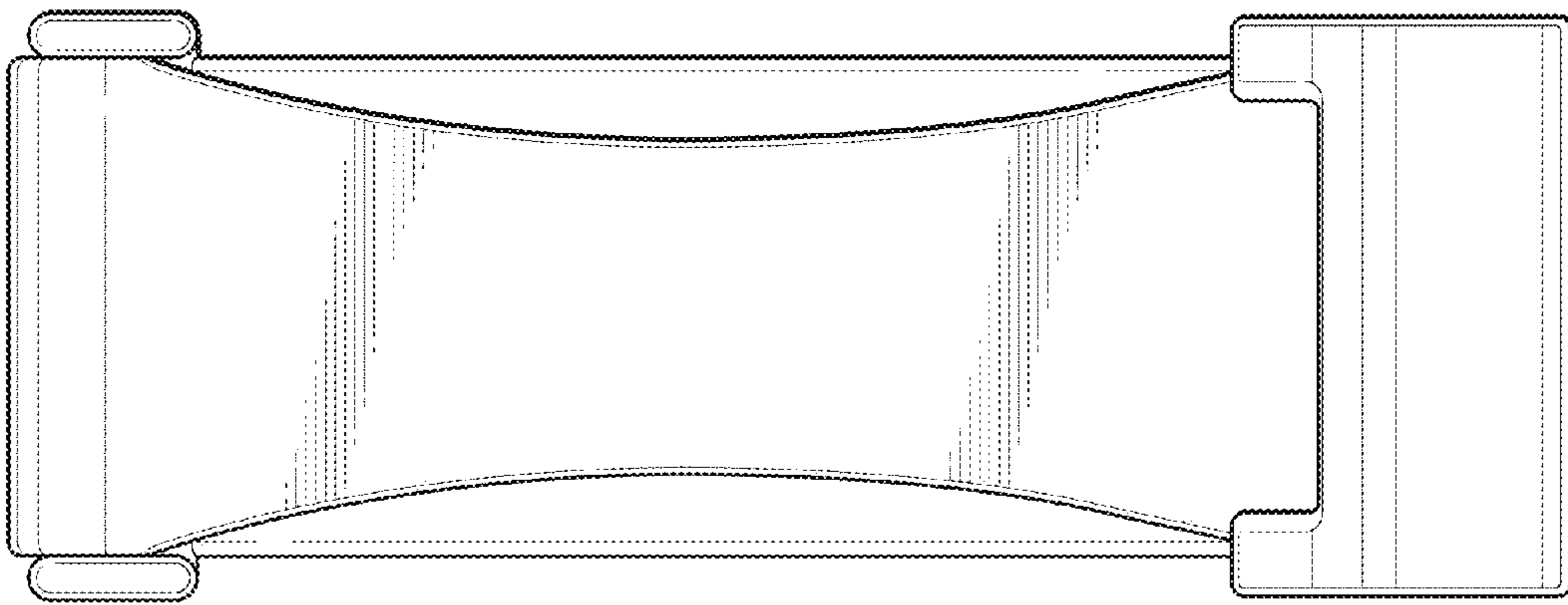


FIG. 3

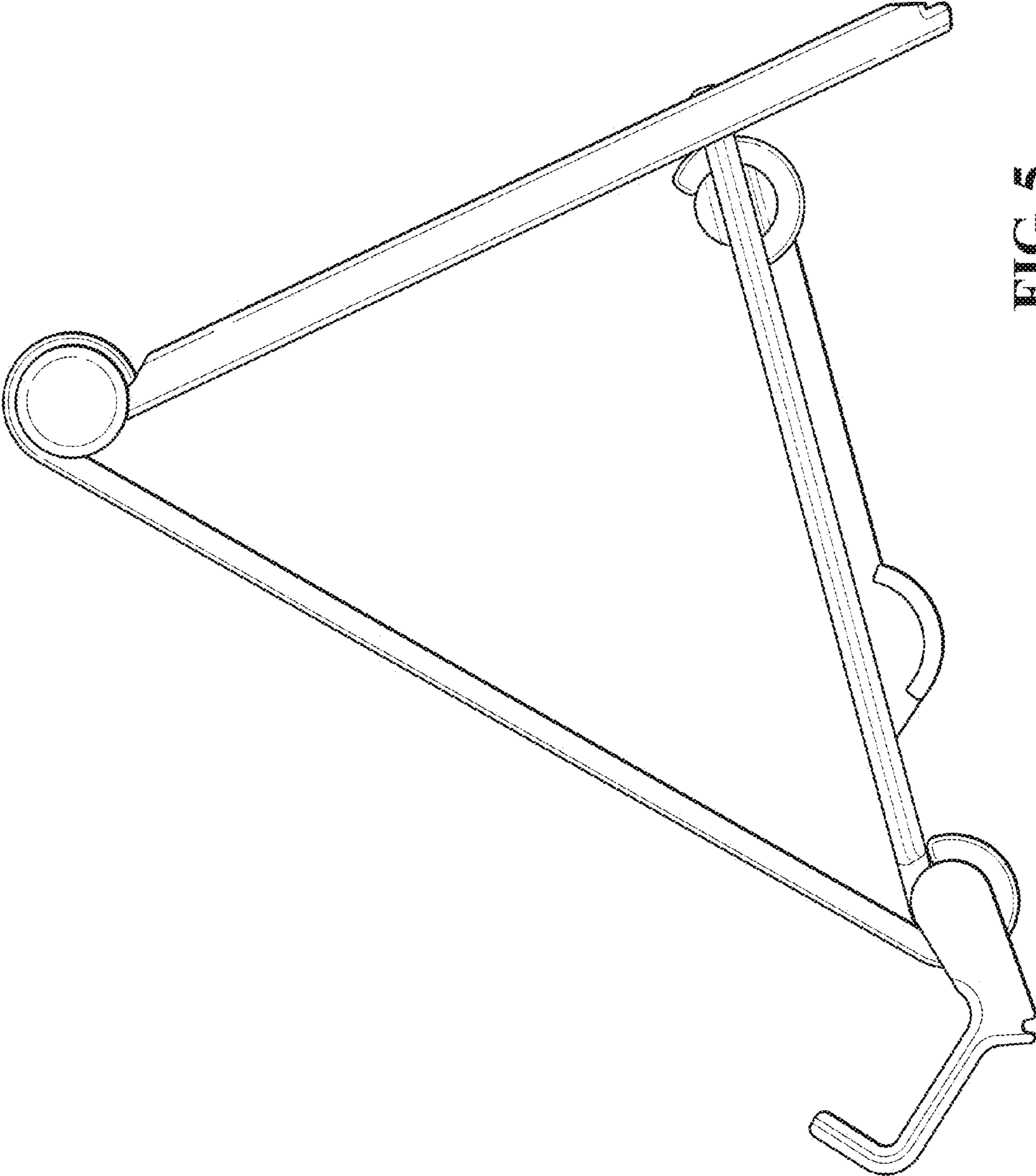


FIG. 5

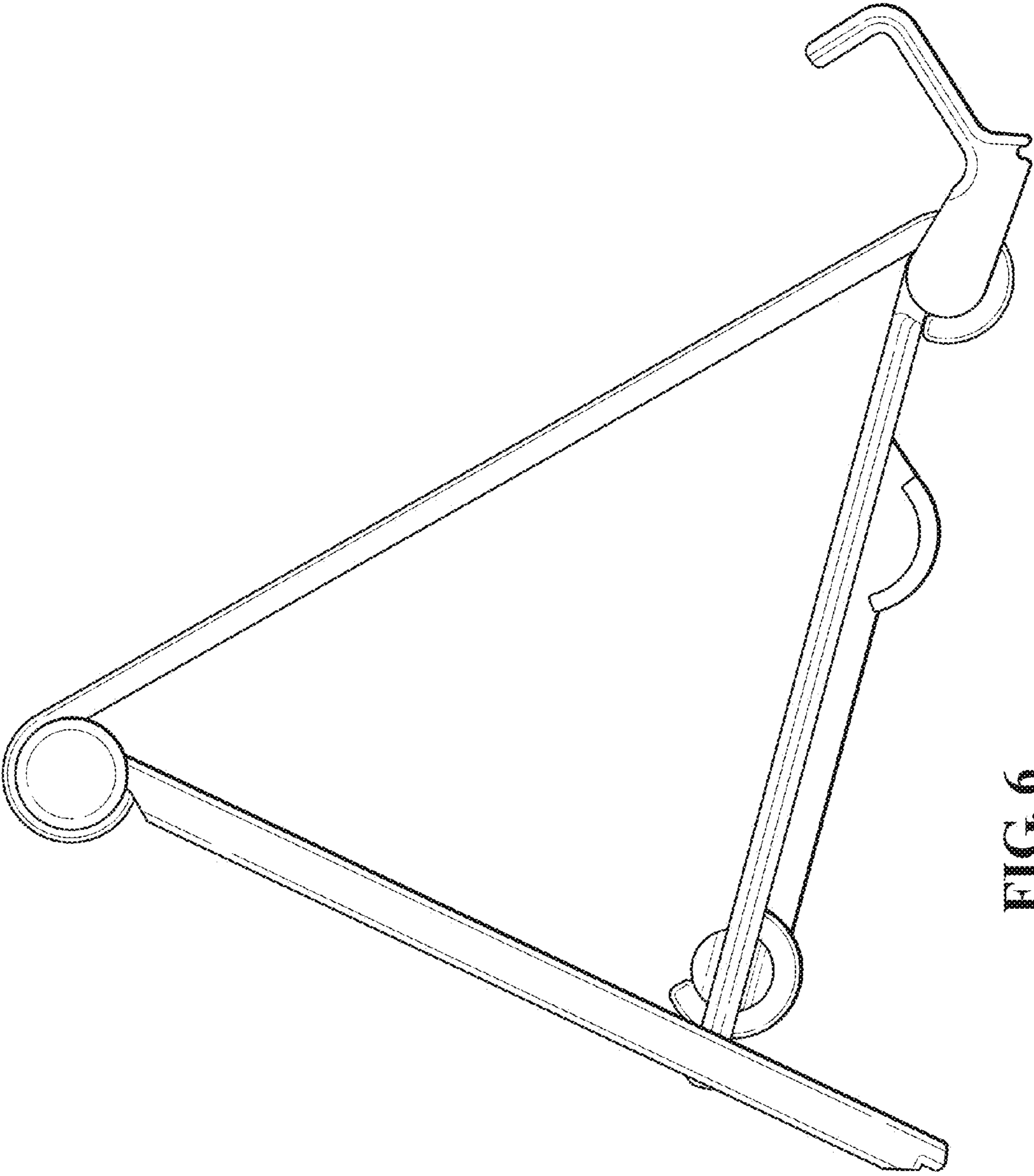


FIG. 6

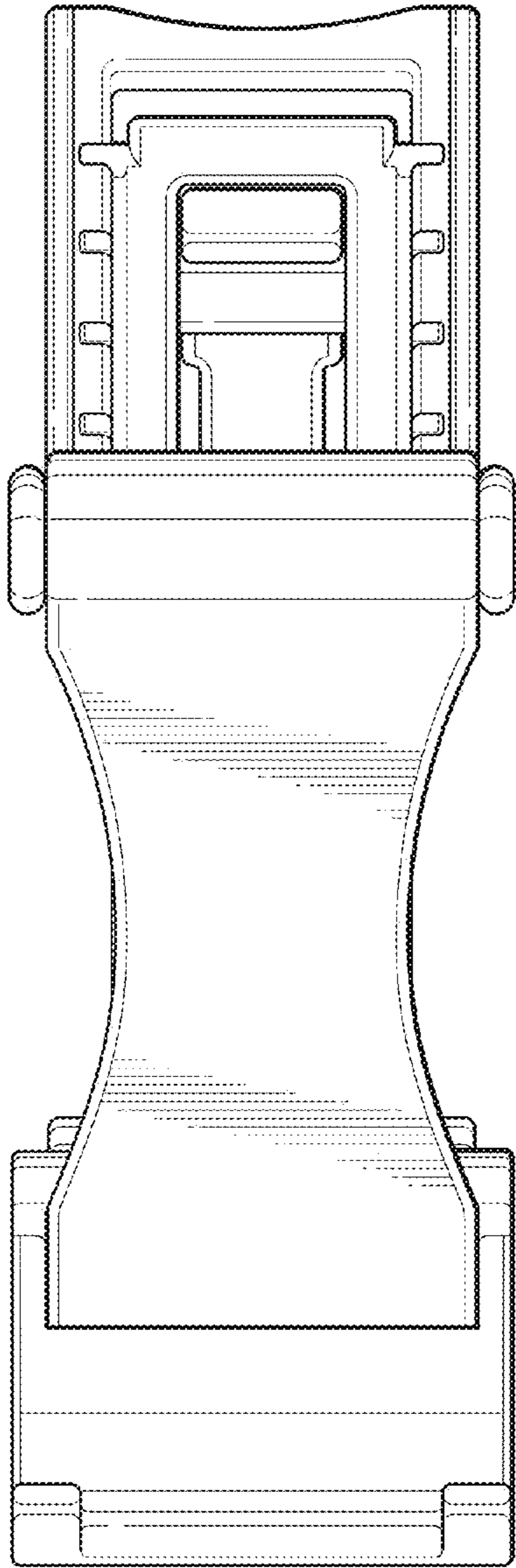


FIG. 7

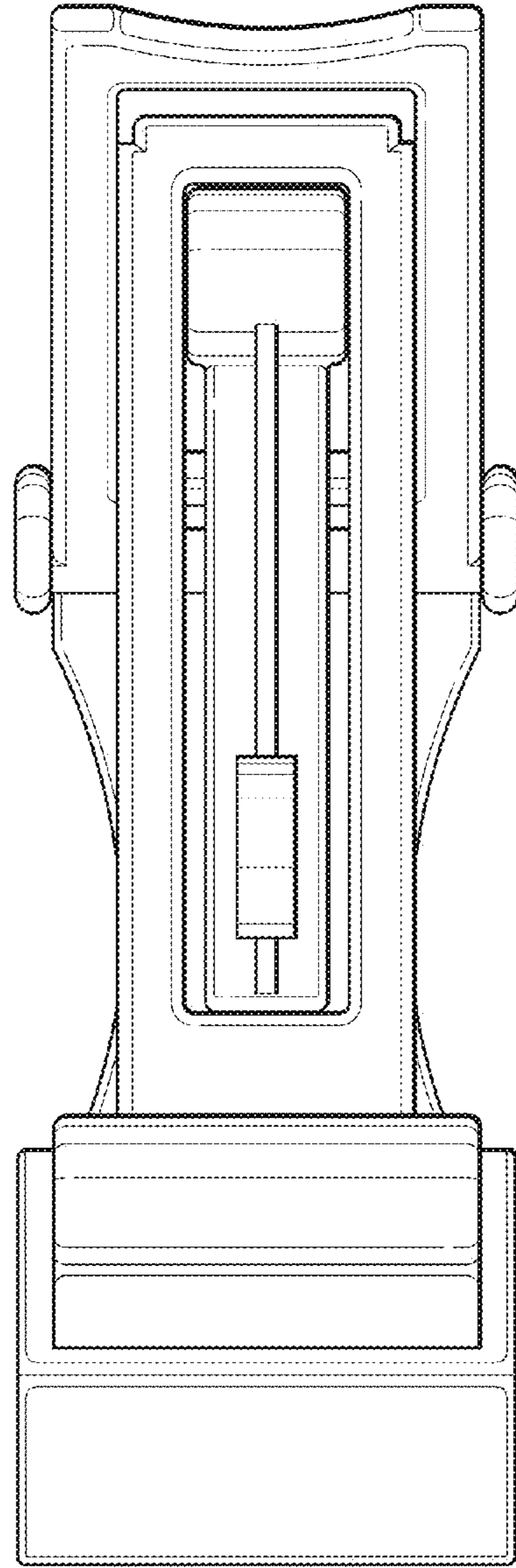


FIG. 8

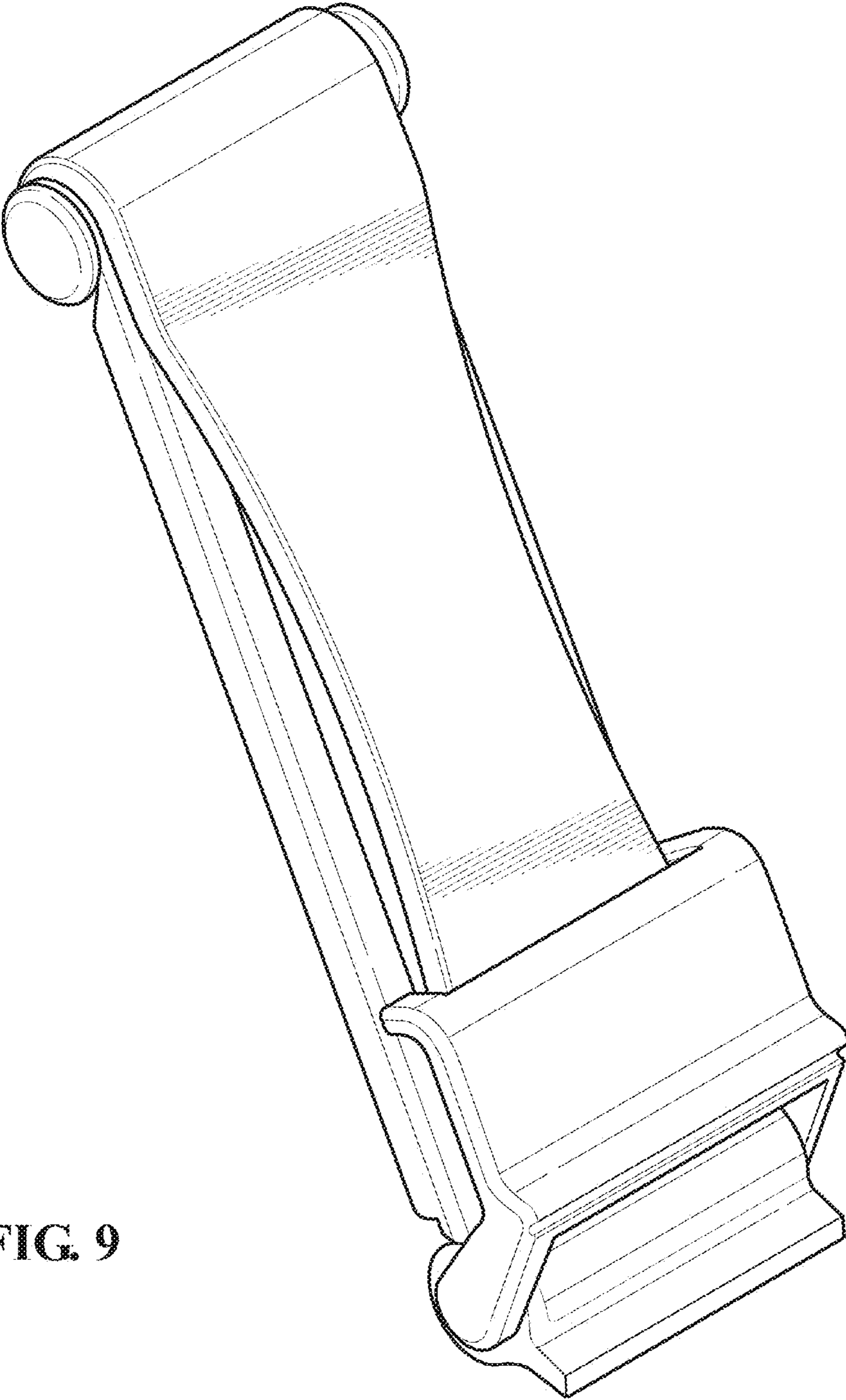


FIG. 9

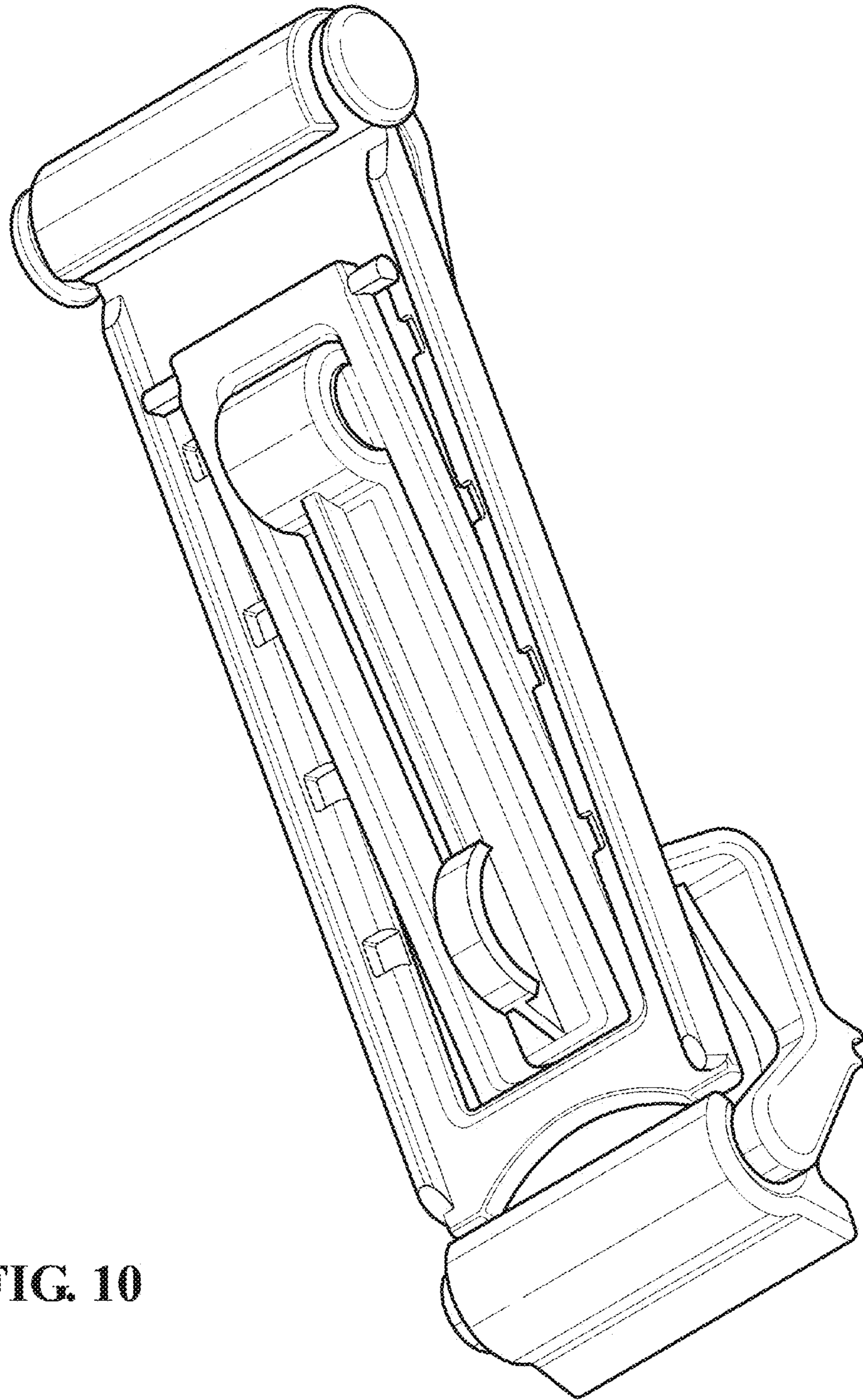


FIG. 10

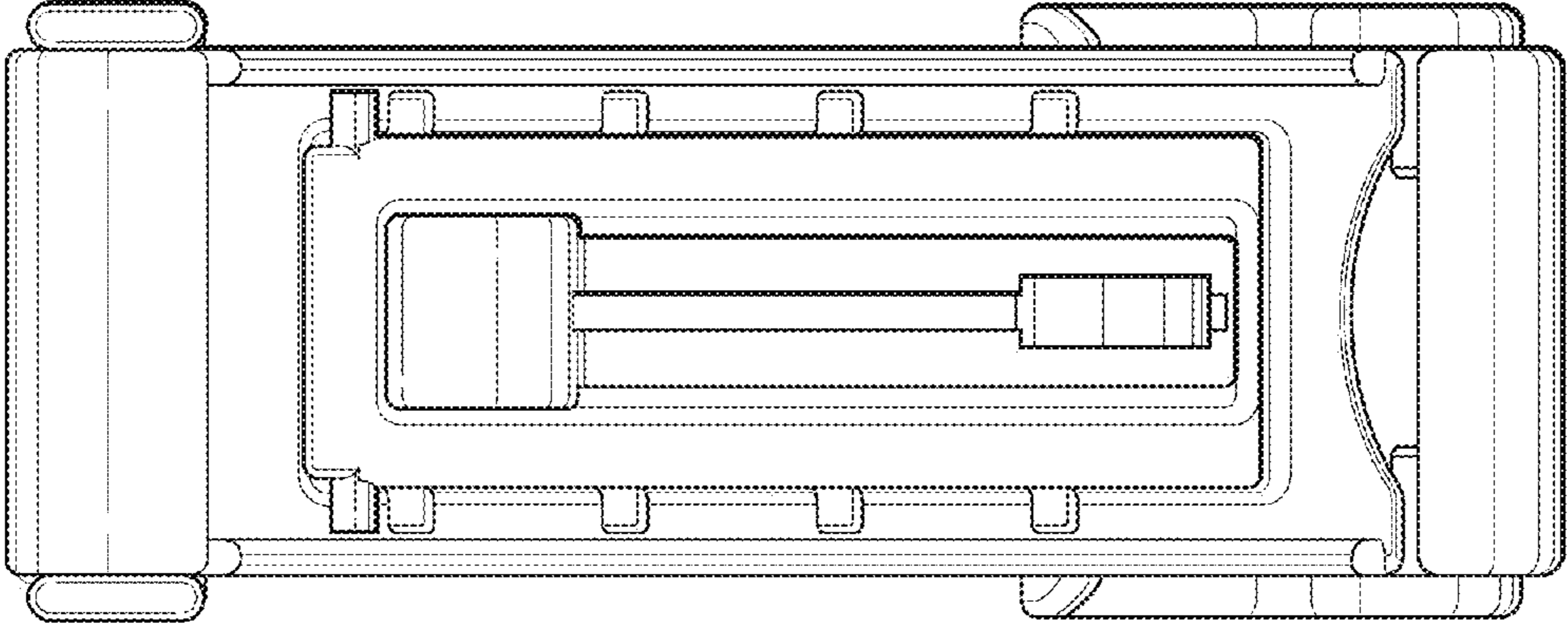


FIG. 11

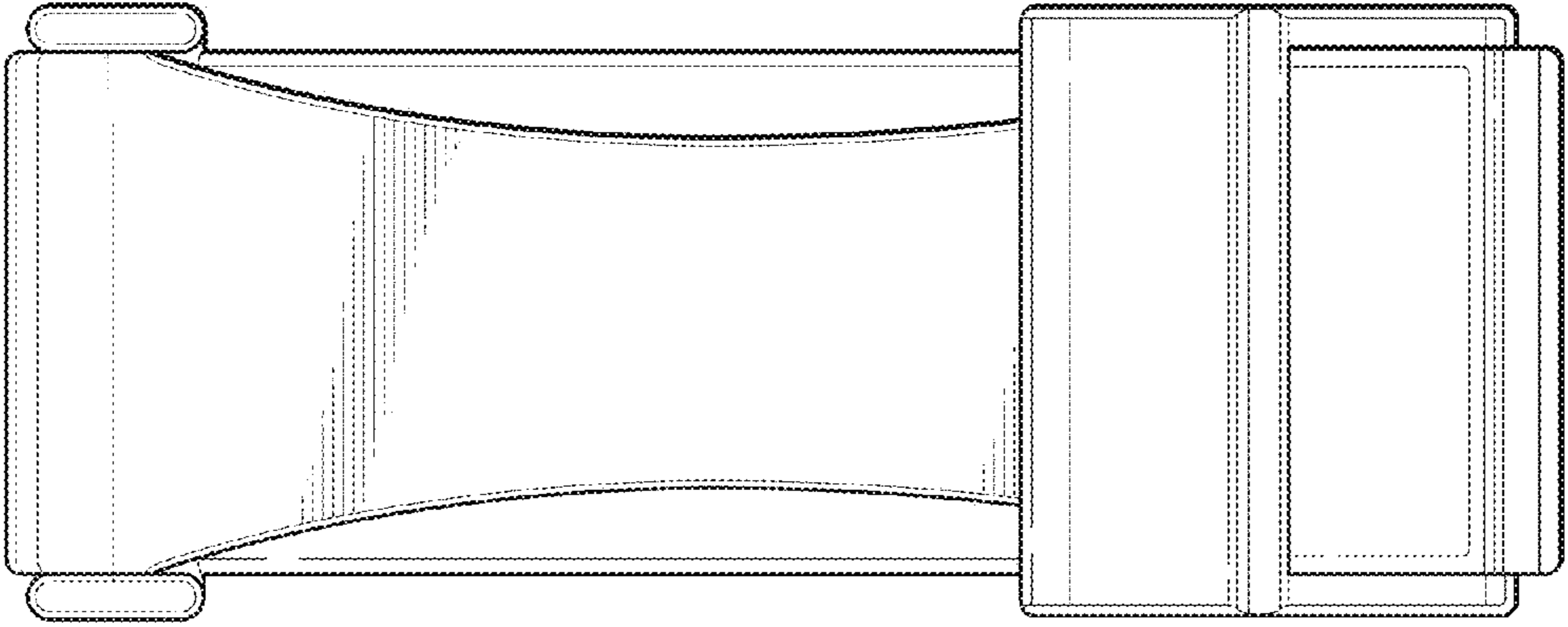


FIG. 12

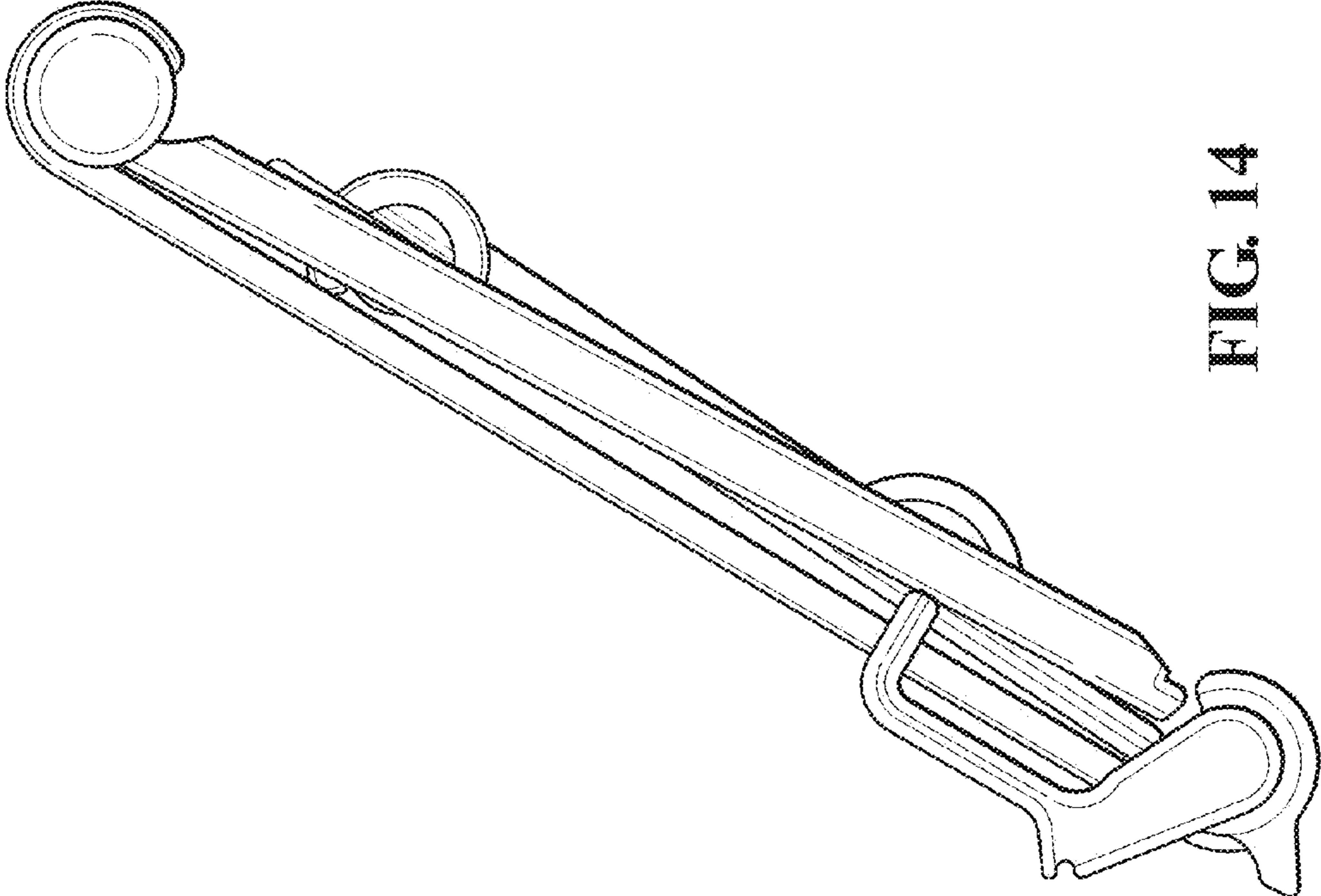


FIG. 14

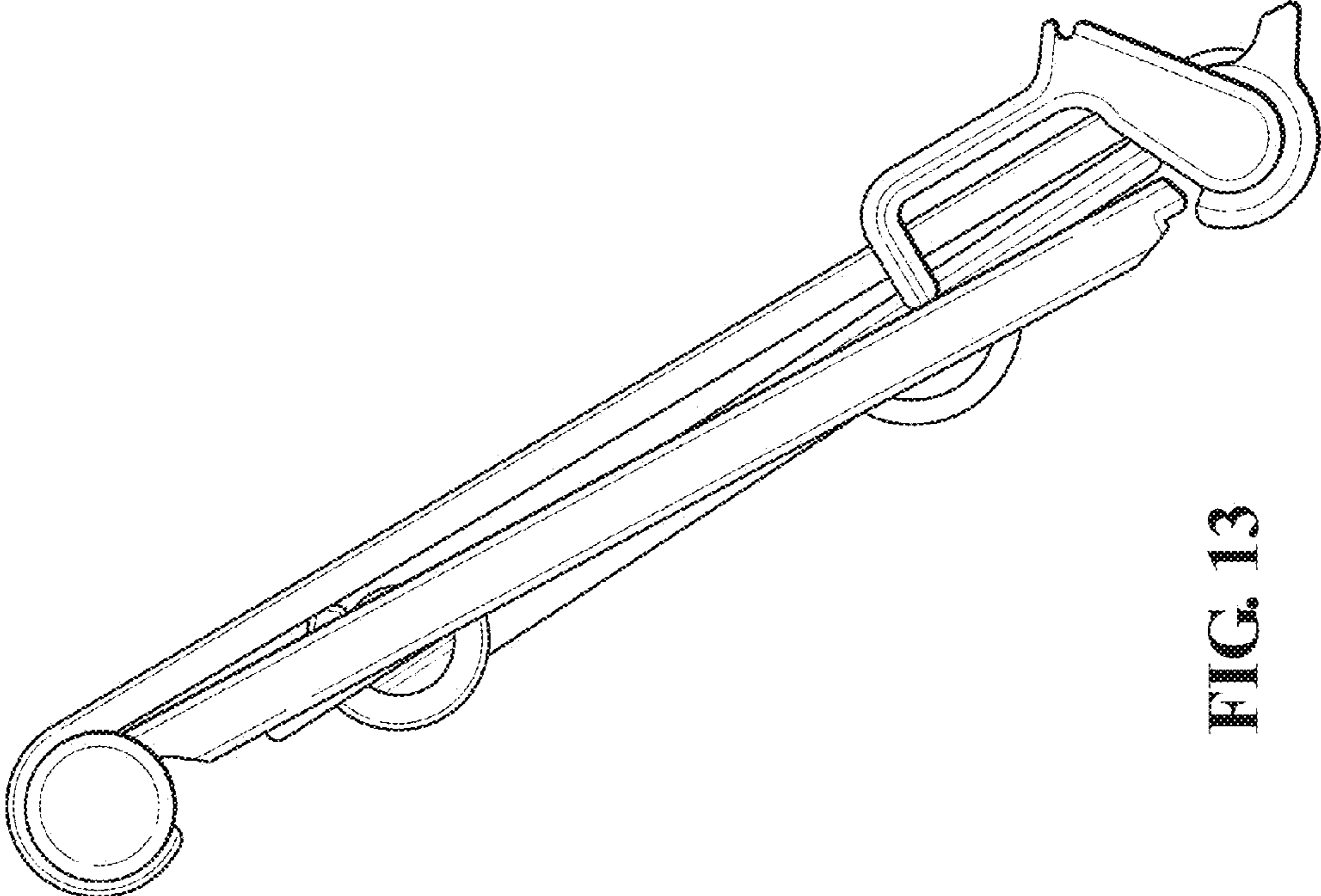


FIG. 13

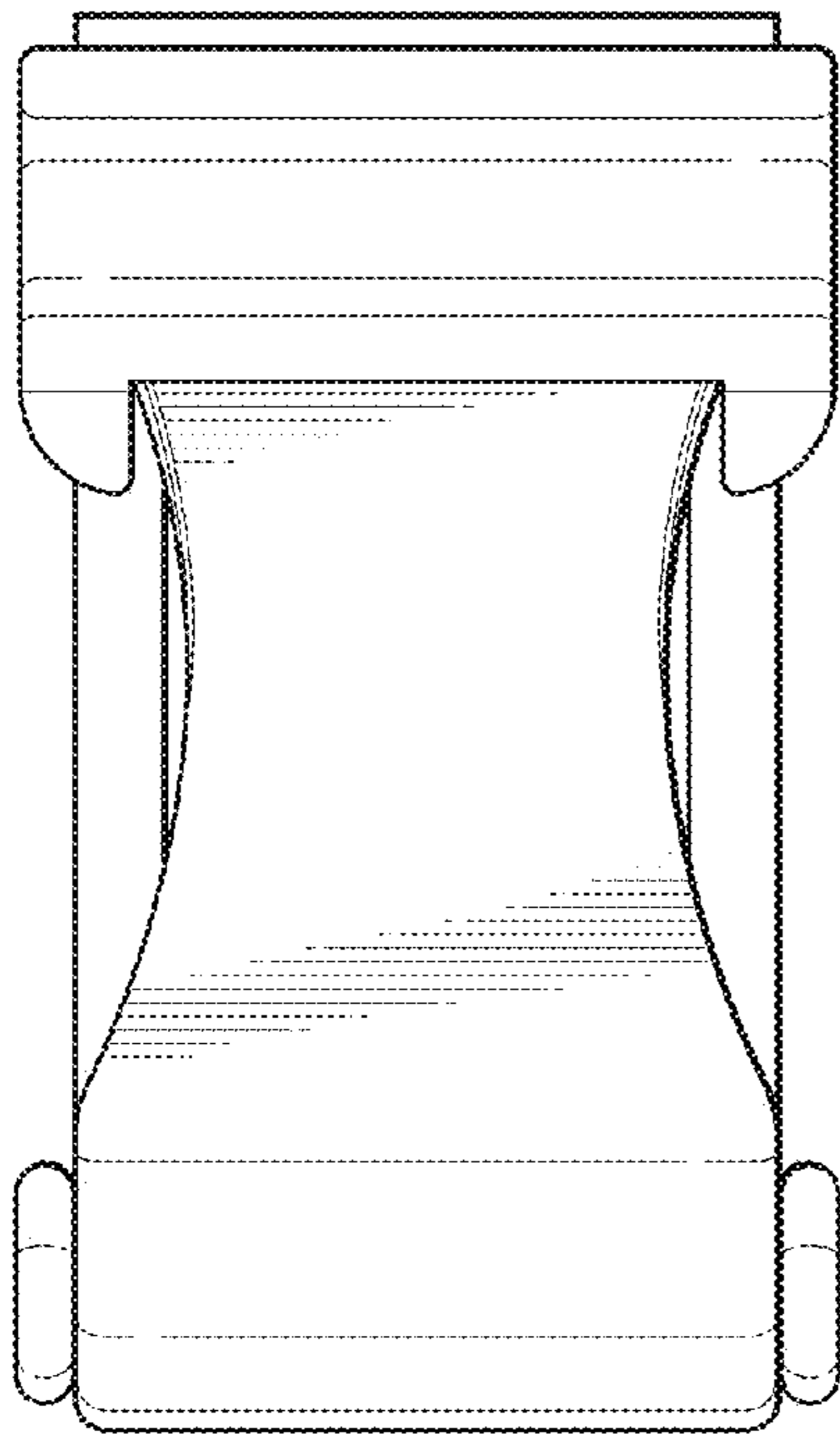


FIG. 15

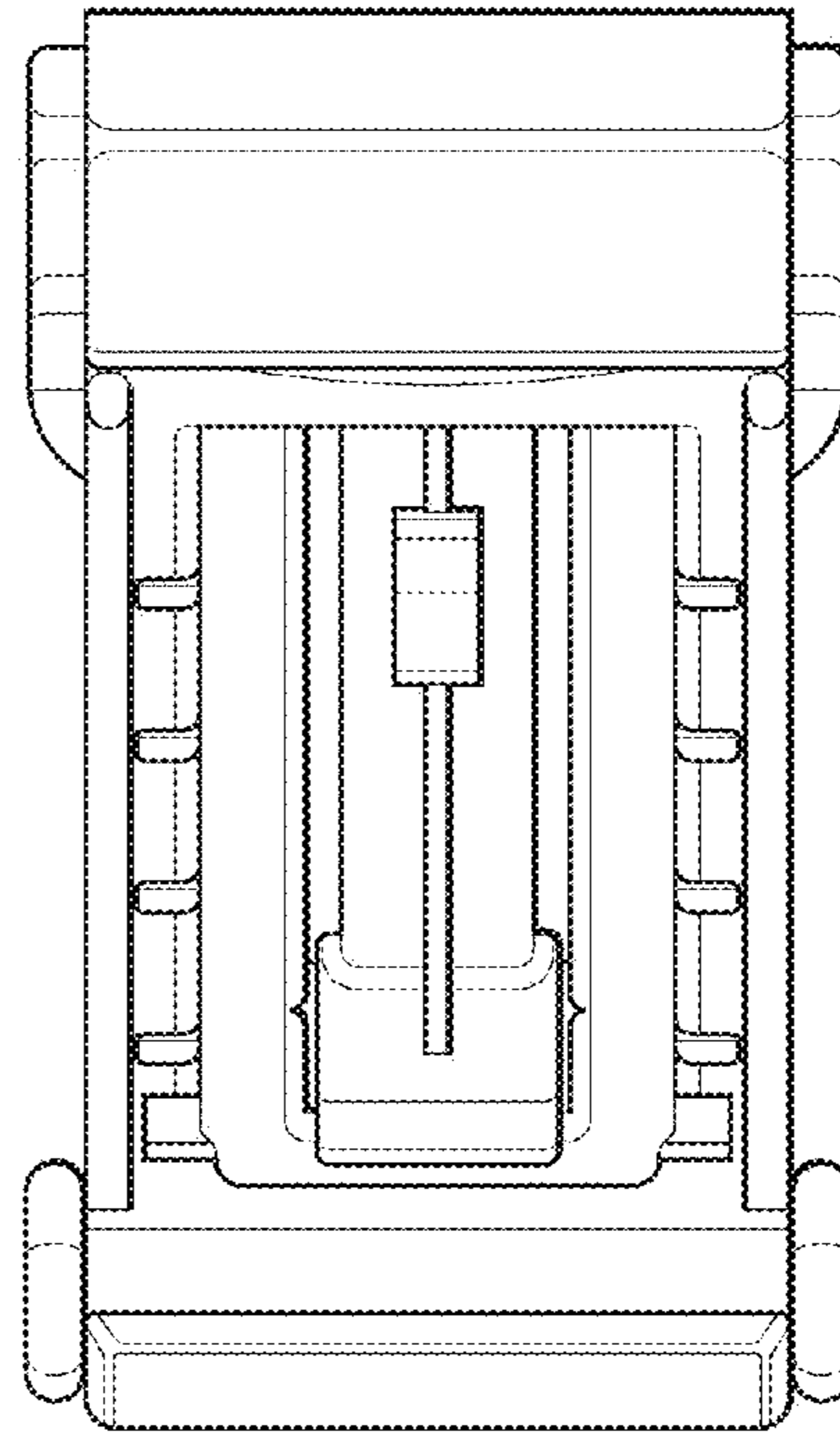


FIG. 16

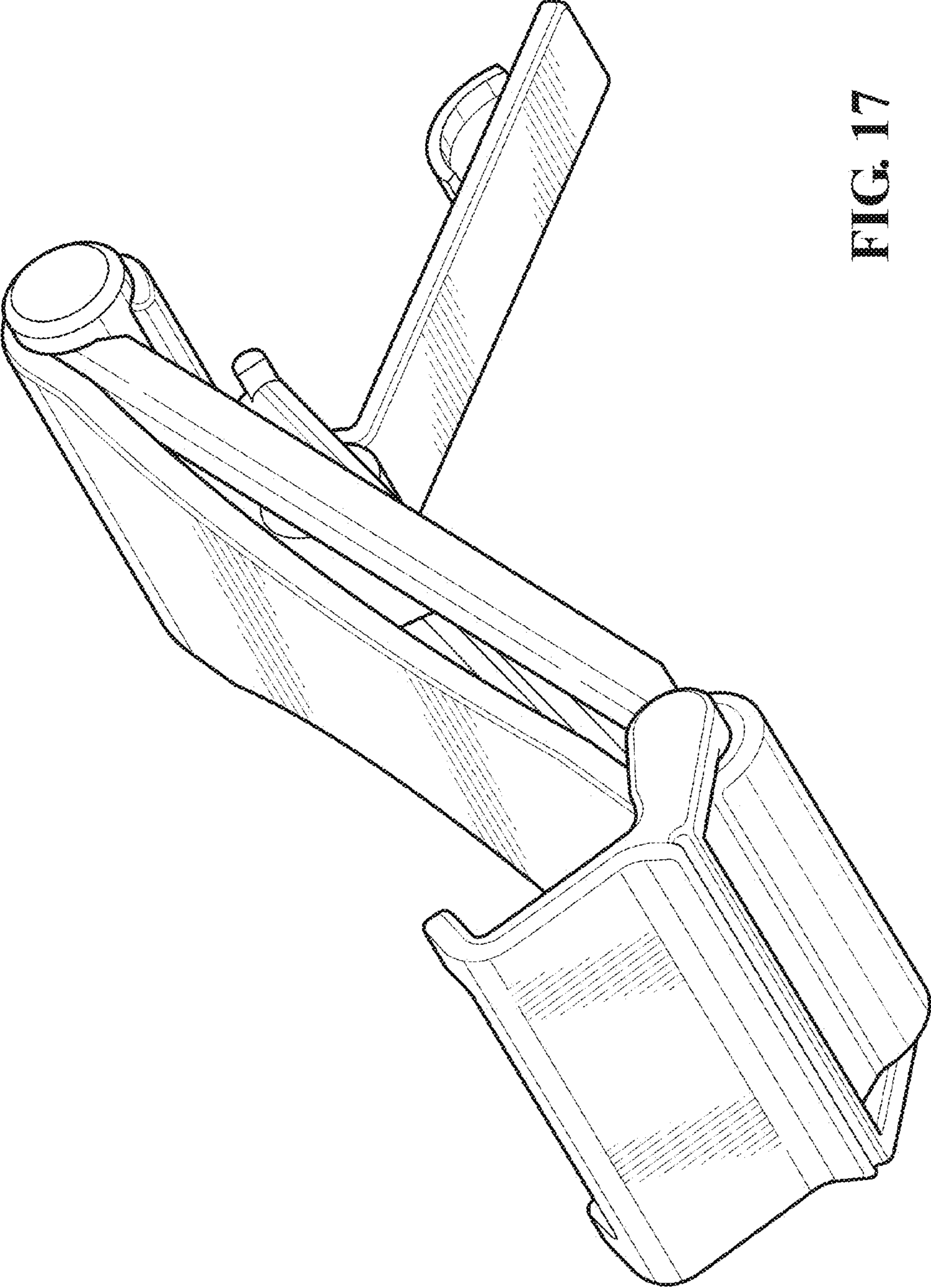


FIG. 17

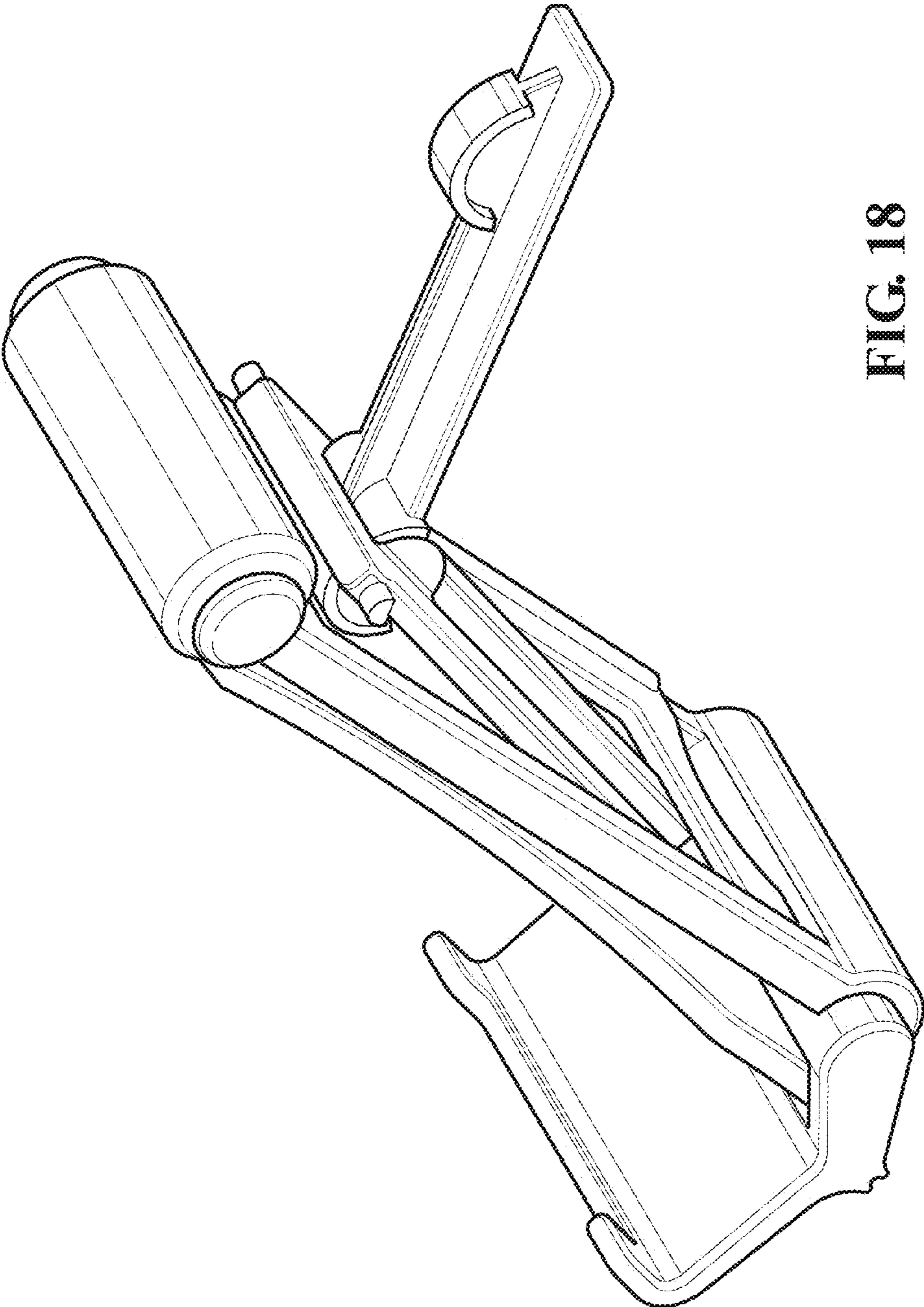


FIG. 18

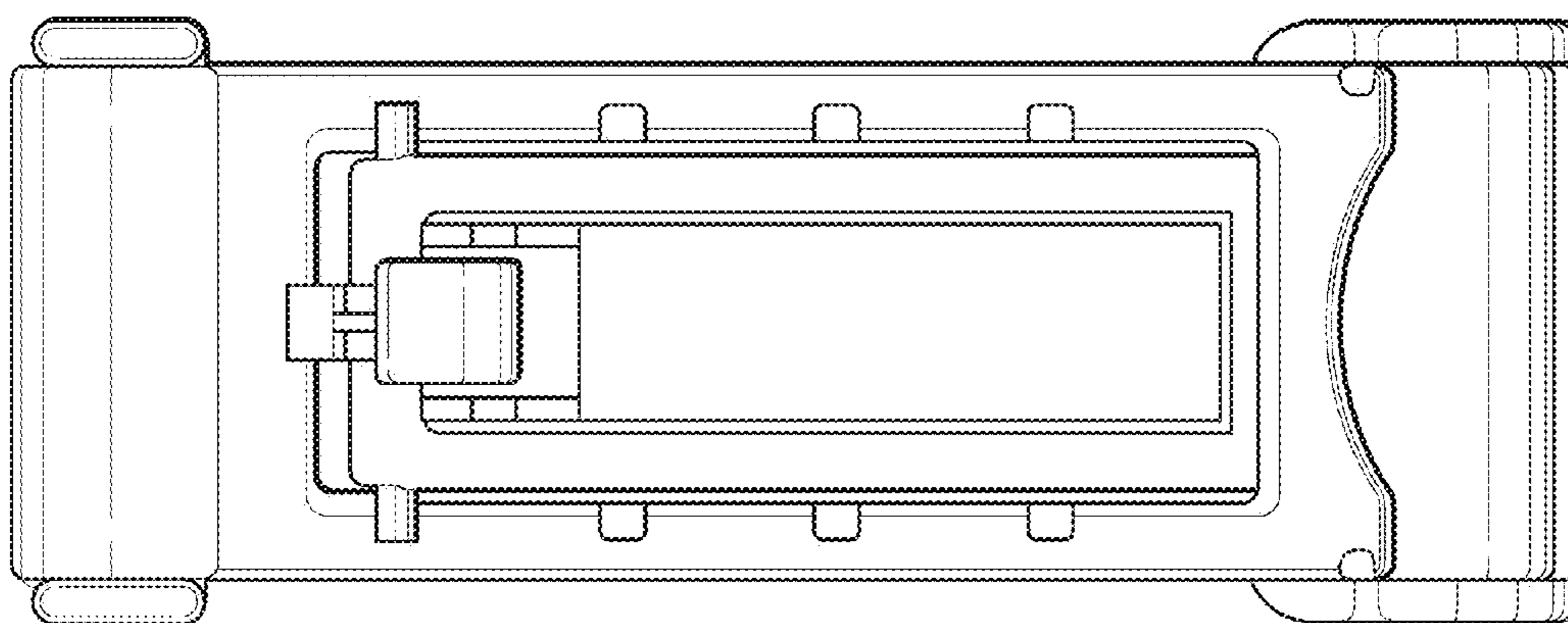


FIG. 19

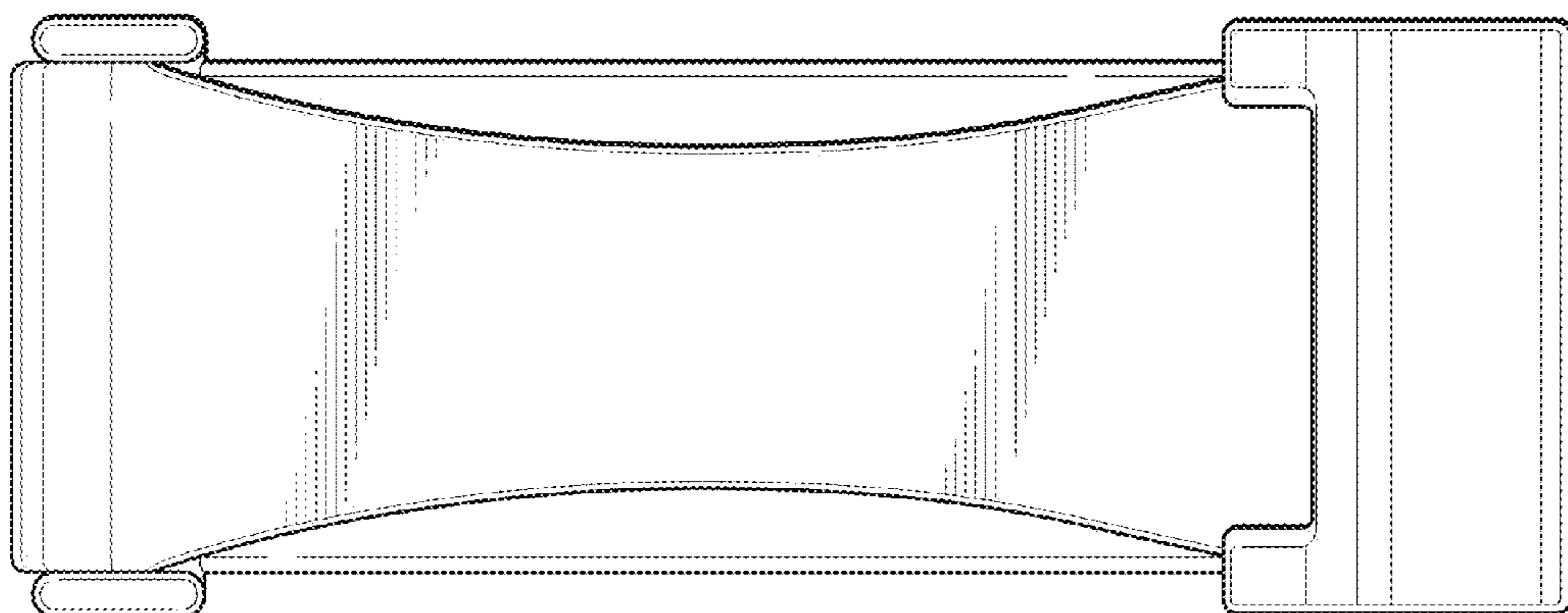


FIG. 20

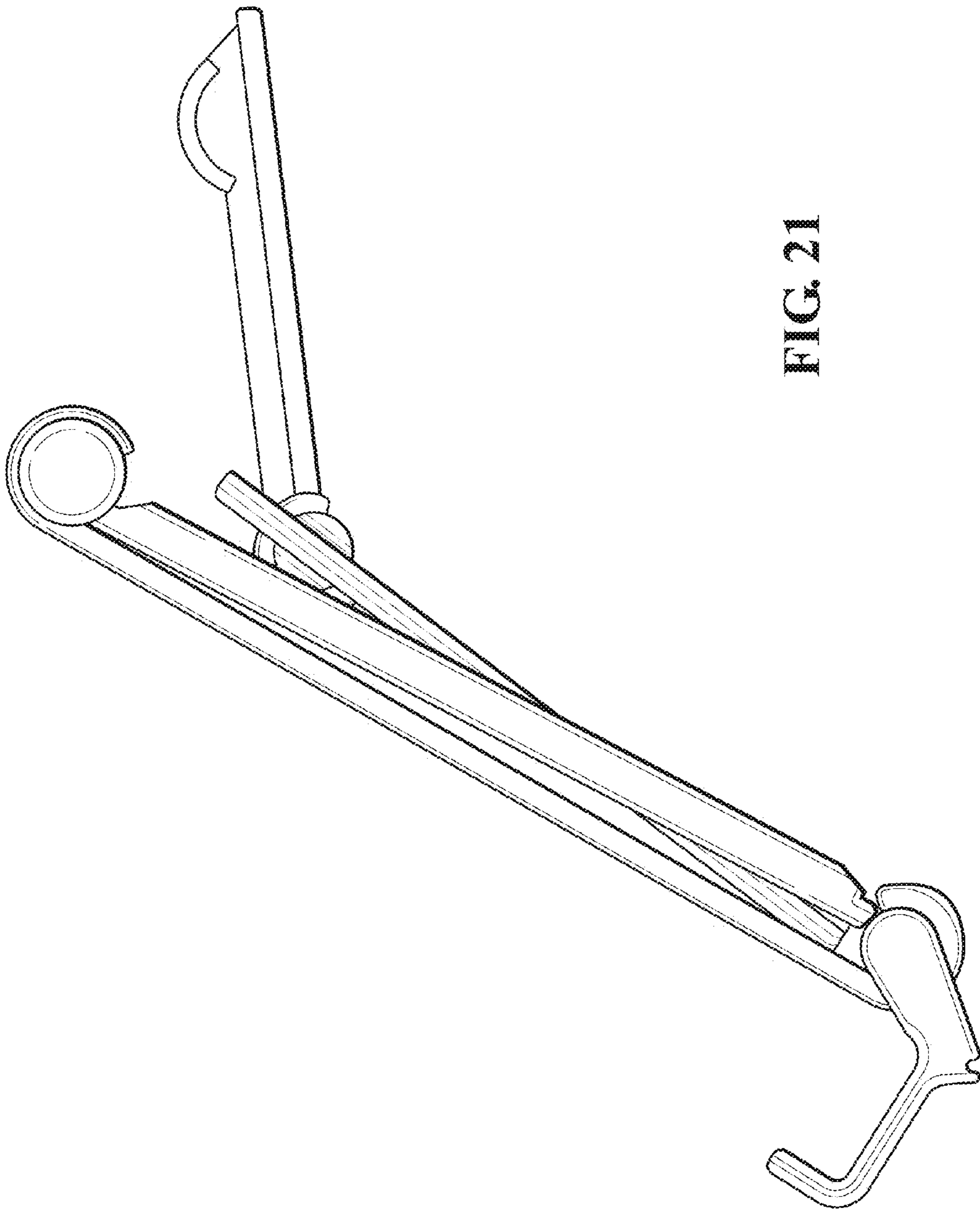


FIG. 21

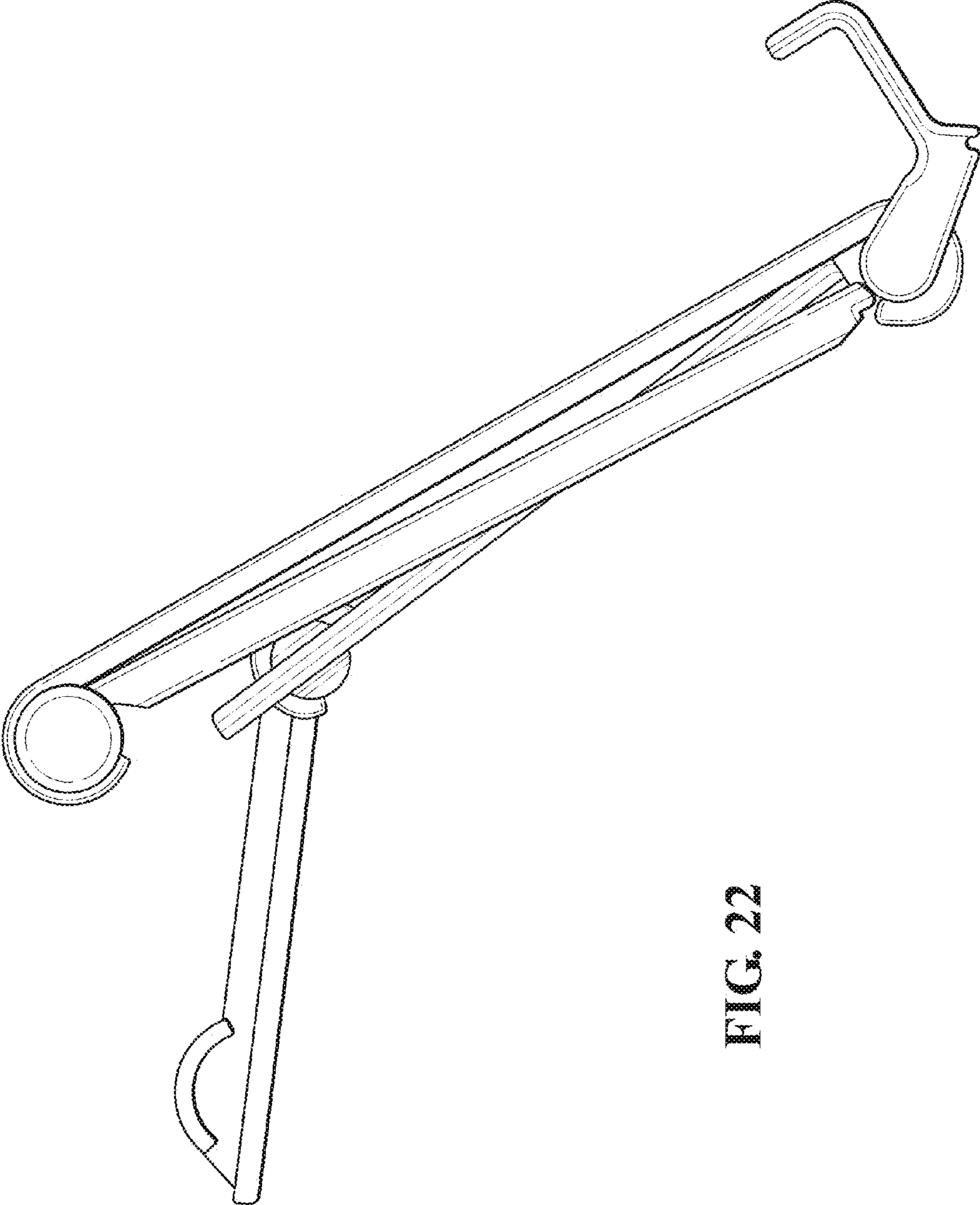


FIG. 22

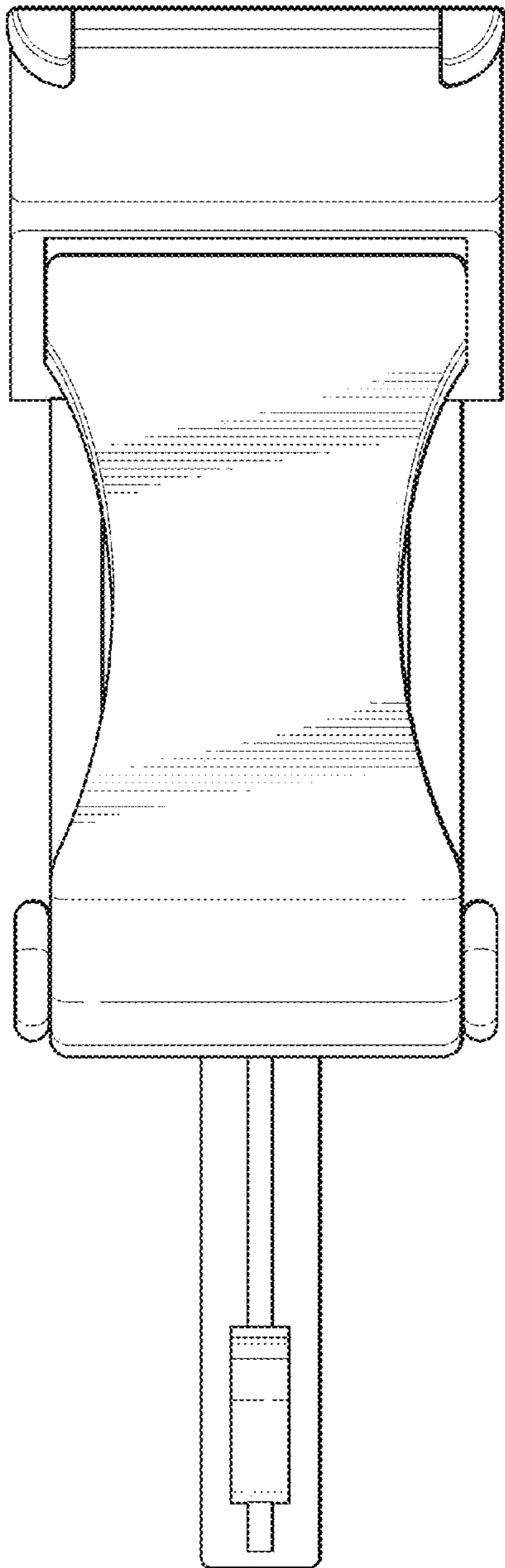


FIG. 23

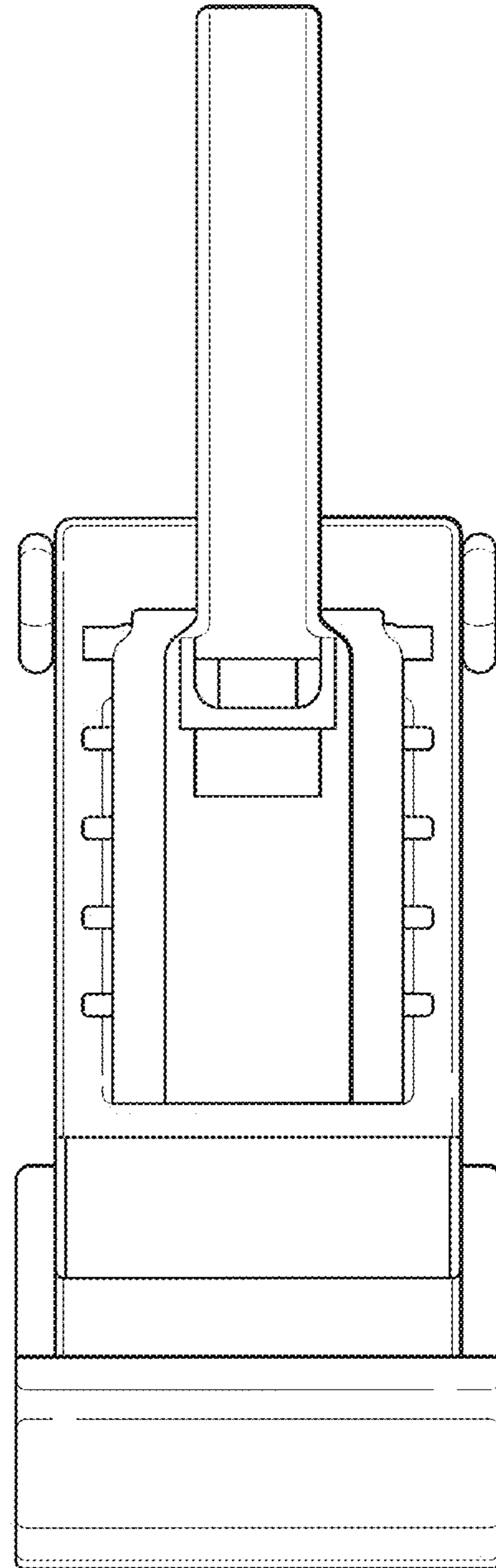


FIG. 24