



US00D723533S

(12) **United States Design Patent**
Stevinson

(10) **Patent No.:** **US D723,533 S**
(45) **Date of Patent:** **** Mar. 3, 2015**

(54) **SEPARABLE EARPHONE CASE**

DESCRIPTION

- (71) Applicant: **Dean Stevenson**, Centennial, CO (US)
- (72) Inventor: **Dean Stevenson**, Centennial, CO (US)
- (**) Term: **14 Years**
- (21) Appl. No.: **29/445,400**
- (22) Filed: **Feb. 11, 2013**
- (51) **LOC (10) Cl.** **14-03**
- (52) **U.S. Cl.**
USPC **D14/250**
- (58) **Field of Classification Search**
USPC D14/250, 138 AA, 138 AB, 138 AD,
D14/138 G, 217, 238.1, 248, 251-253, 346,
D14/356, 440, 496, 203.5, 203.8; D13/103,
D13/107, 108; D3/201, 218, 247, 269, 273,
D3/301, 303; 455/575.1, 575.8; 206/305,
206/320, 251, 45.2
See application file for complete search history.

(56) **References Cited**

U.S. PATENT DOCUMENTS

| | | | | |
|--------------|---------|--------------------|-------|-----------|
| D22,417 S * | 5/1893 | Scheuer | | D3/239 |
| 7,086,512 B2 | 8/2006 | Shack et al. | | |
| D529,288 S | 10/2006 | Ham | | |
| D553,352 S | 10/2007 | Allen | | |
| D565,290 S | 4/2008 | Brandenburg et al. | | |
| D576,785 S | 9/2008 | TerMeer | | |
| D582,405 S | 12/2008 | Andre et al. | | |
| D592,399 S | 5/2009 | Sage | | |
| D593,062 S * | 5/2009 | Lee et al. | | D14/138 G |
| D601,992 S | 10/2009 | Choi et al. | | |
| D606,529 S | 12/2009 | Ferrari et al. | | |
| D615,078 S * | 5/2010 | Bradley | | D14/250 |
| D621,393 S * | 8/2010 | Panahi et al. | | D14/250 |
| D623,642 S | 9/2010 | Wang | | |

(Continued)

Primary Examiner — Deanna L Pratt

Assistant Examiner — Lilyana Bekic

(74) *Attorney, Agent, or Firm* — Lathrop & Gage LLP

(57) **CLAIM**

The ornamental design for a separable earphone case, as shown and described.

FIG. 1 is a first front side perspective view of a separable earphone case comprising an earphone storage portion and a digital media device (DMD) protective portion, showing the earphone storage portion separated from the DMD protective portion, and with a door of the earphone storage portion in a closed position;

FIG. 2 is a second front side perspective view of the separable earphone case, showing the earphone storage portion separated from the DMD protective portion, and with the door in an open position;

FIG. 3 is a bottom plan view of the separable earphone case, showing the earphone storage portion separated from the DMD protective portion, and with the door in the closed position;

FIG. 4 is a top plan view of the separable earphone case, showing the earphone storage portion separated from the DMD protective portion, and with the door in the closed position;

FIG. 5 is a left side elevation of the separable earphone case, showing the earphone storage portion separated from the DMD protective portion, and with the door in the closed position;

FIG. 6 is a right side elevation of the separable earphone case, showing the earphone storage portion separated from the DMD protective portion, and with the door in the closed position;

FIG. 7 is a front elevation of the separable earphone case, showing the earphone storage portion separated from the DMD protective portion, and with the door in the closed position;

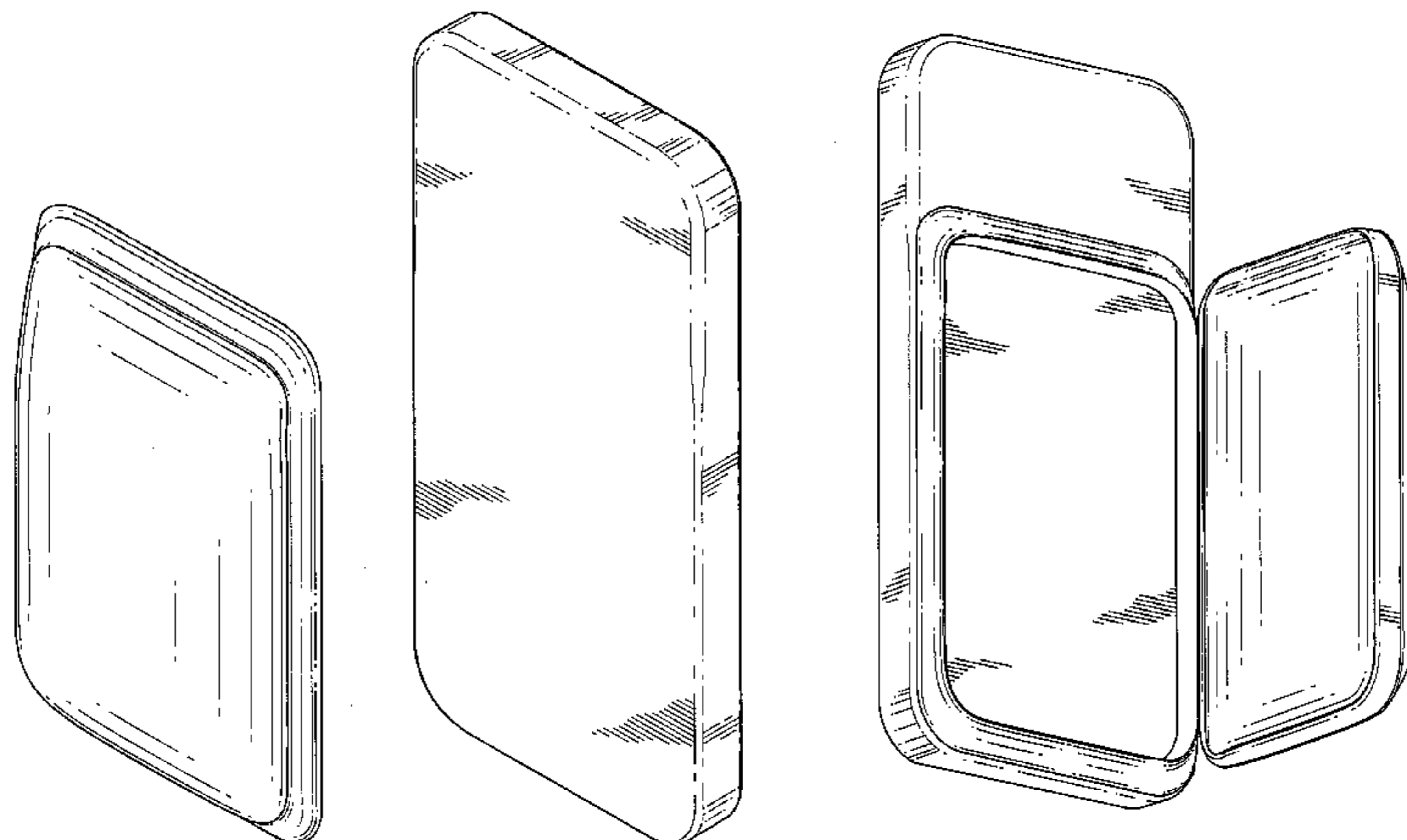
FIG. 8 is a rear elevation of the separable earphone case, showing the earphone storage portion separated from the DMD protective portion;

FIG. 9 is a rear perspective view of the separable earphone case, showing the earphone storage portion separated from the DMD protective portion;

FIG. 10 is a front side perspective view of the separable earphone case, showing the earphone storage portion coupled with DMD protective portion, and with the door in the closed position; and,

FIG. 11 is a front side perspective view of the separable earphone case, showing the earphone storage portion coupled with DMD protective portion, and with the door in the open position.

1 Claim, 9 Drawing Sheets



(56)

References Cited

U.S. PATENT DOCUMENTS

| | | | |
|-------------------|---------|---------------------|-----------|
| D624,064 S | 9/2010 | Esposito | |
| D624,304 S | 9/2010 | Danze et al. | |
| D634,115 S | 3/2011 | Long, Jr. et al. | |
| D635,555 S | 4/2011 | Giles | |
| D641,974 S | 7/2011 | Stampfli | |
| D644,428 S | 9/2011 | Feng | |
| D644,639 S | 9/2011 | Weller et al. | |
| D645,032 S * | 9/2011 | Fathollahi | D14/250 |
| 8,016,107 B2 | 9/2011 | Emsky | |
| D647,892 S | 11/2011 | Ragde, Jr. | |
| D651,791 S * | 1/2012 | Cataldo et al. | D3/218 |
| D653,656 S * | 2/2012 | Charnas et al. | D14/250 |
| D654,931 S * | 2/2012 | Lemelman et al. | D14/496 |
| D657,137 S | 4/2012 | Weller et al. | |
| D661,482 S | 6/2012 | Chang et al. | |
| D667,823 S * | 9/2012 | Merenda | D14/250 |
| D673,936 S | 1/2013 | Michie et al. | |
| D673,940 S | 1/2013 | Chang et al. | |
| D673,941 S | 1/2013 | Melanson et al. | |
| D683,955 S | 6/2013 | Melanson et al. | |
| 8,485,404 B2 * | 7/2013 | Monaco et al. | 224/666 |
| D688,234 S | 8/2013 | Esses | |
| D688,654 S * | 8/2013 | Stevinson | D14/250 |
| D688,655 S * | 8/2013 | Rey-Hipolito et al. | D14/250 |
| 8,579,172 B2 * | 11/2013 | Monaco et al. | 224/666 |
| D698,772 S * | 2/2014 | Merenda | D14/250 |
| D703,650 S * | 4/2014 | Ehrlich | D14/250 |
| D703,651 S * | 4/2014 | Ehrlich | D14/250 |
| D705,199 S * | 5/2014 | Huang et al. | D14/238.1 |
| D705,764 S * | 5/2014 | Thoni | D14/250 |
| 8,720,683 B2 * | 5/2014 | Mao | 206/320 |
| 8,774,446 B2 * | 7/2014 | Merenda | 381/395 |
| 8,783,531 B2 * | 7/2014 | Kroupa | 224/162 |
| D710,346 S * | 8/2014 | Smith et al. | D14/250 |
| 2003/0096640 A1 * | 5/2003 | Bae | 455/568 |
| 2003/0157973 A1 * | 8/2003 | Yang | 455/569 |
| 2006/0287006 A1 * | 12/2006 | McIntyre et al. | 455/569.1 |
| 2007/0154048 A1 | 7/2007 | Chang | |
| 2008/0009329 A1 * | 1/2008 | Adler | 455/575.1 |
| 2008/0080732 A1 * | 4/2008 | Sneed | 381/374 |
| 2010/0096284 A1 | 4/2010 | Bau | |
| 2011/0077061 A1 | 3/2011 | Danze et al. | |
| 2011/0130174 A1 * | 6/2011 | Kroupa | 455/569.1 |
| 2011/0203954 A1 * | 8/2011 | Kroupa | 206/320 |
| 2012/0077556 A1 * | 3/2012 | McKendrick | 455/575.8 |
| 2013/0140195 A1 * | 6/2013 | Law et al. | 206/45.24 |
| 2013/0148839 A1 * | 6/2013 | Stevinson | 381/384 |
| 2013/0208937 A1 * | 8/2013 | Stern et al. | 381/332 |
| 2013/0237290 A1 * | 9/2013 | Simmons et al. | 455/569.1 |

* cited by examiner

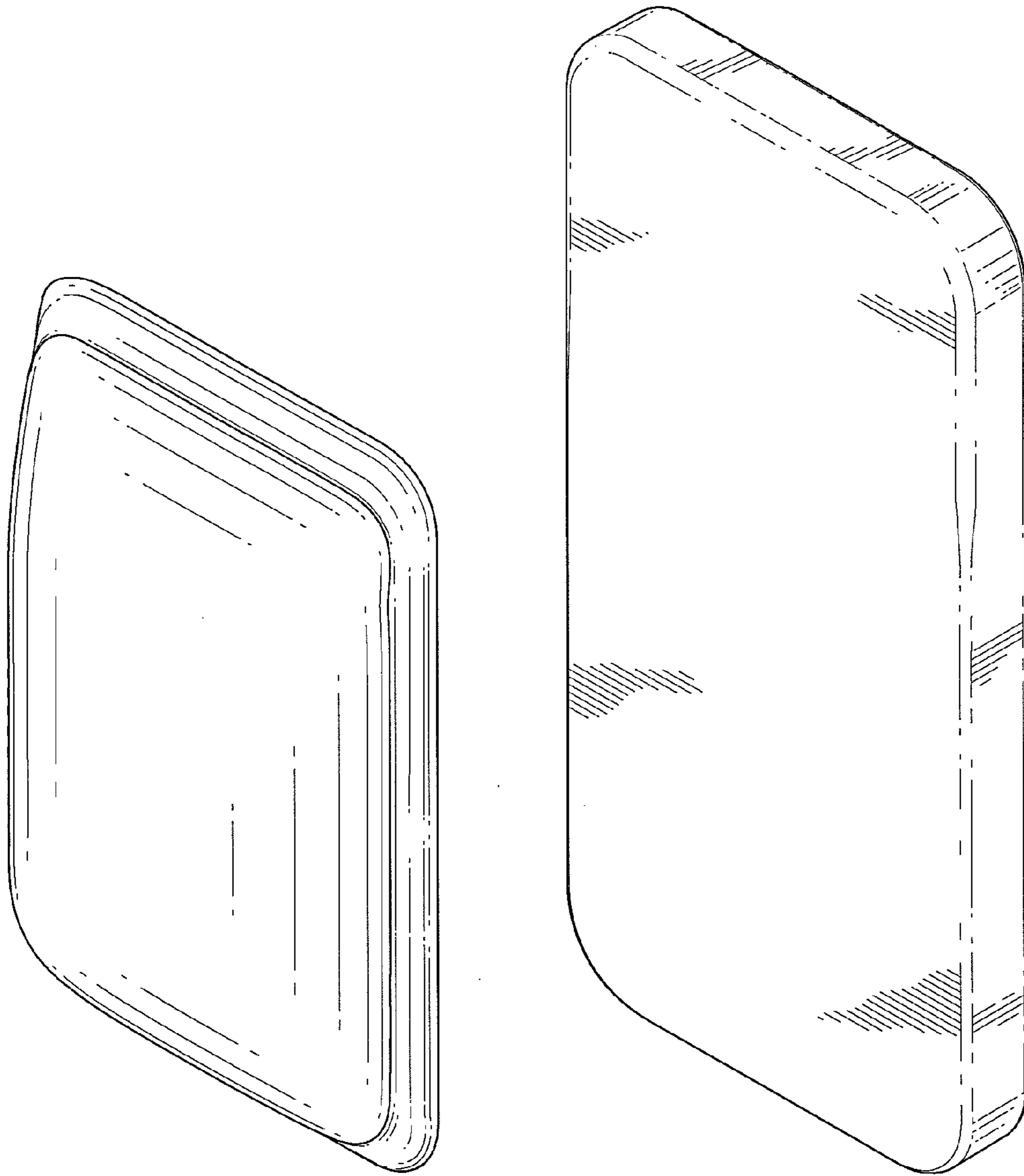


FIG. 1

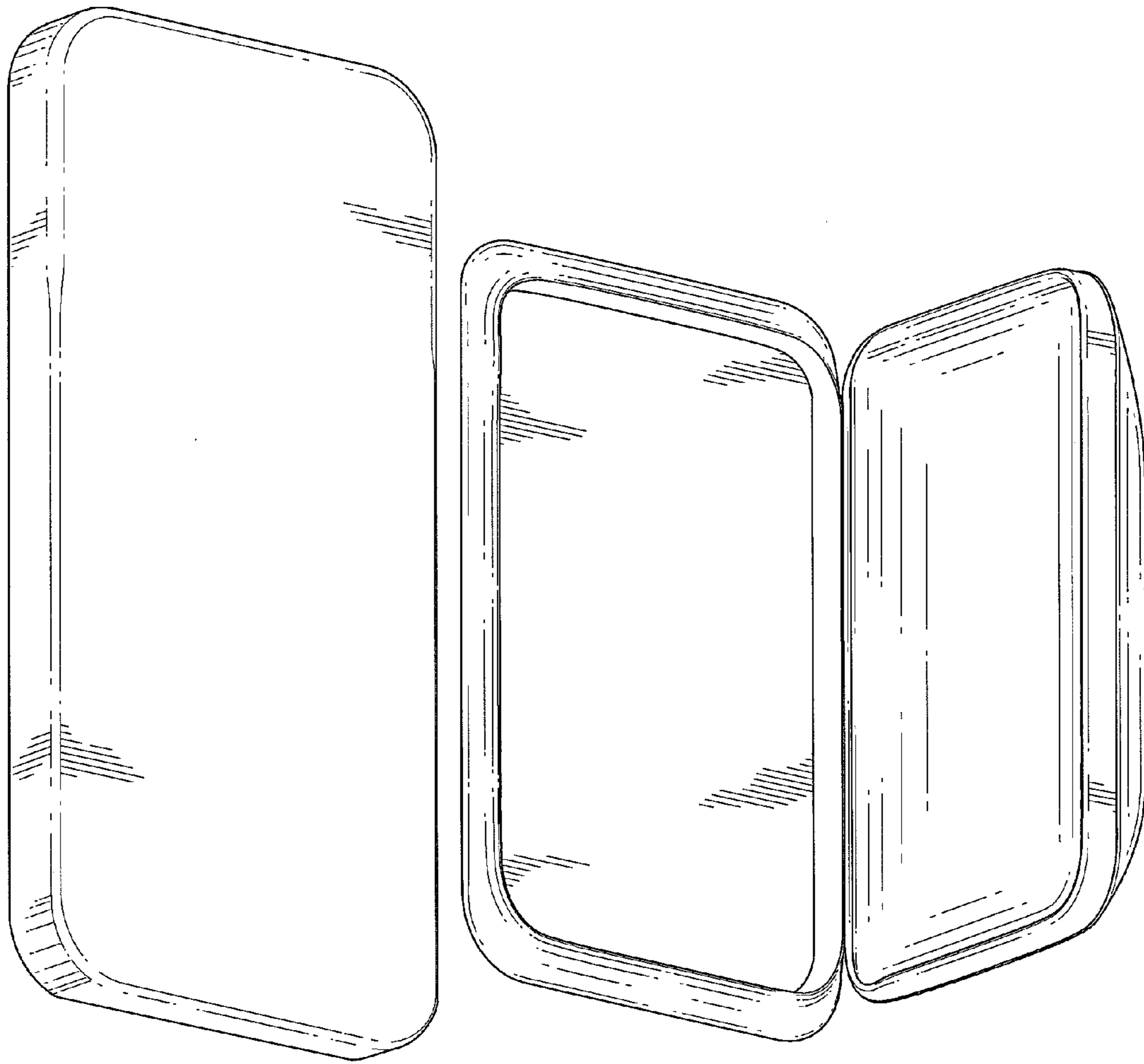


FIG. 2

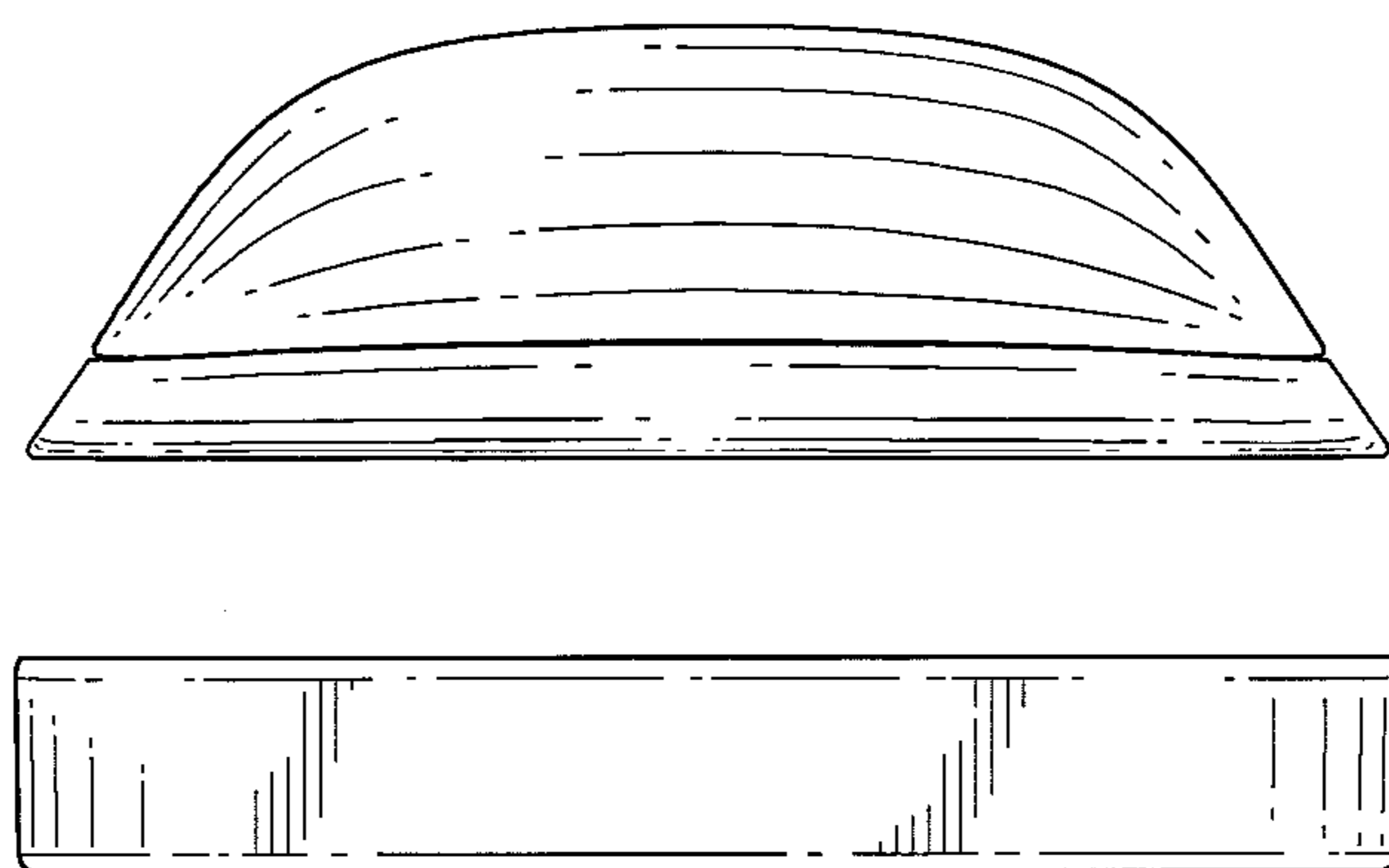


FIG. 3

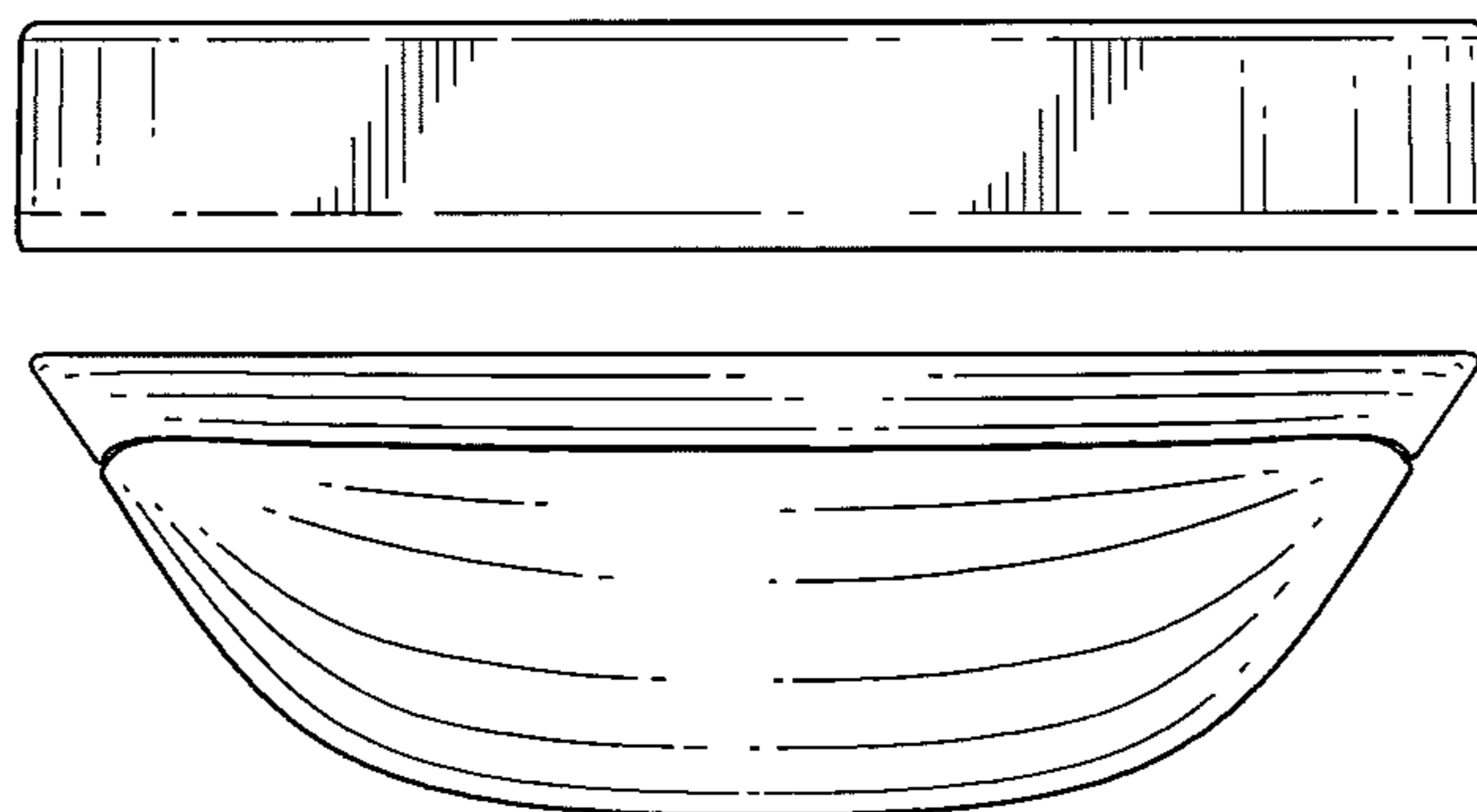


FIG. 4

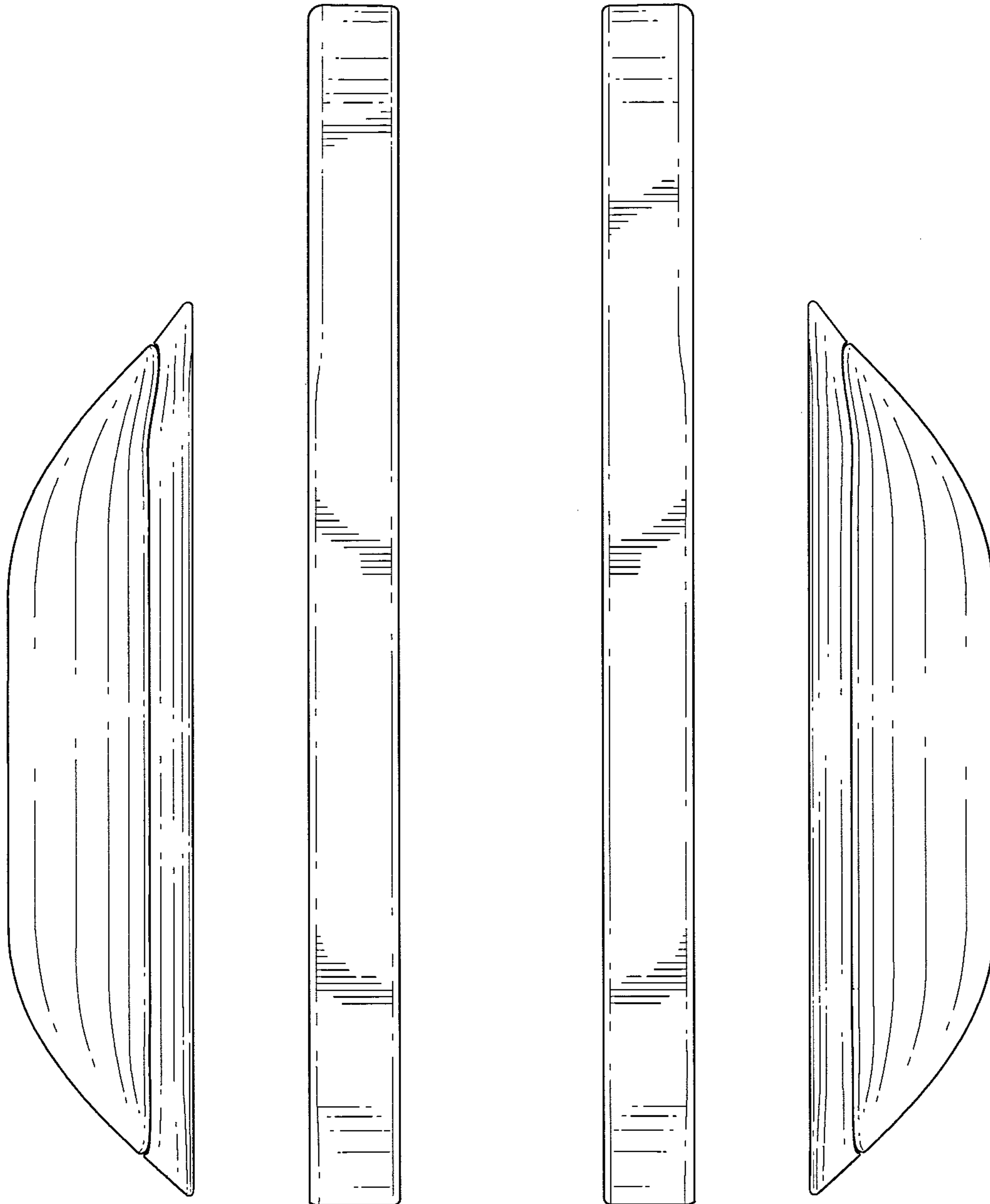


FIG. 5

FIG. 6

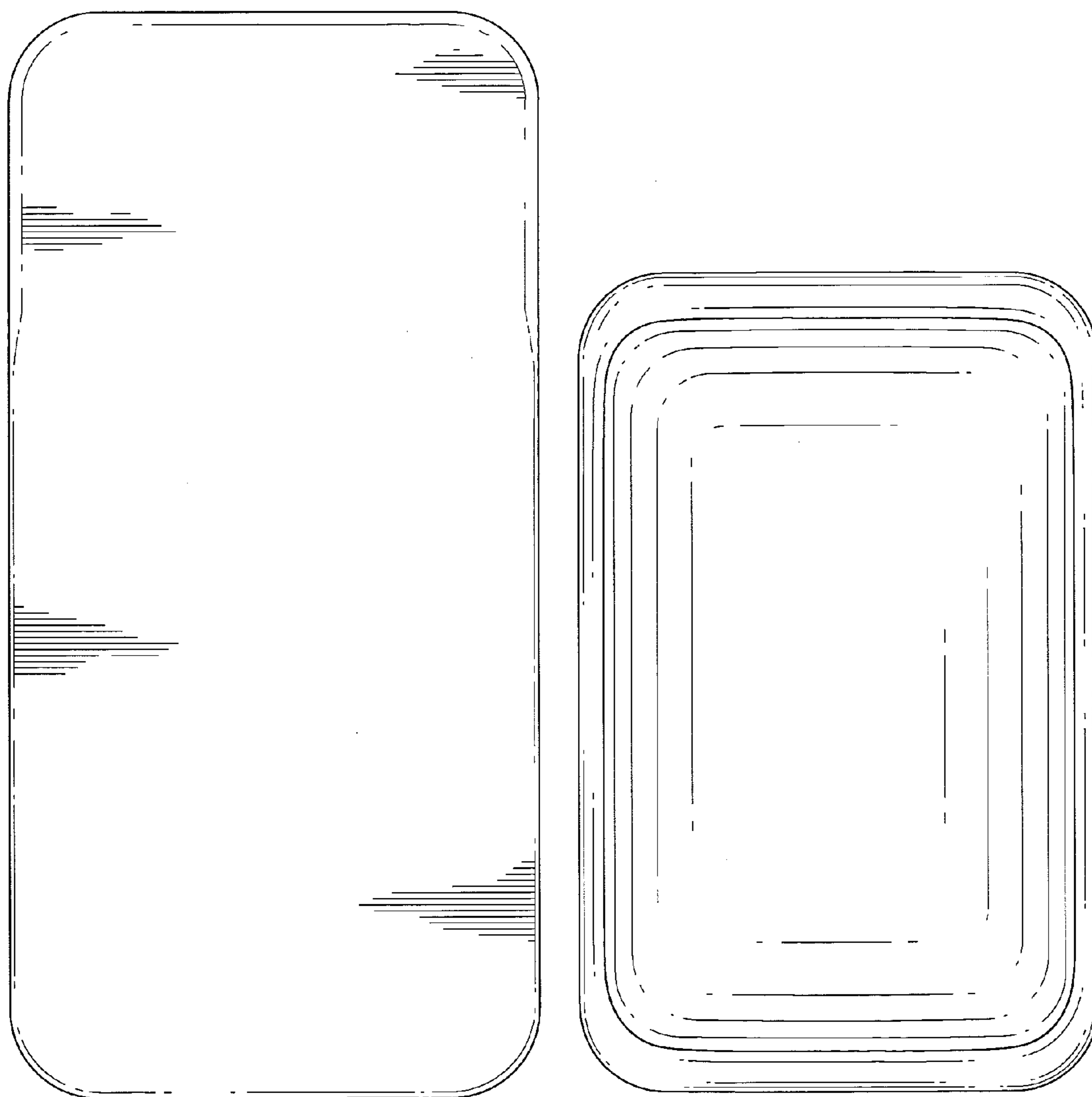


FIG. 7

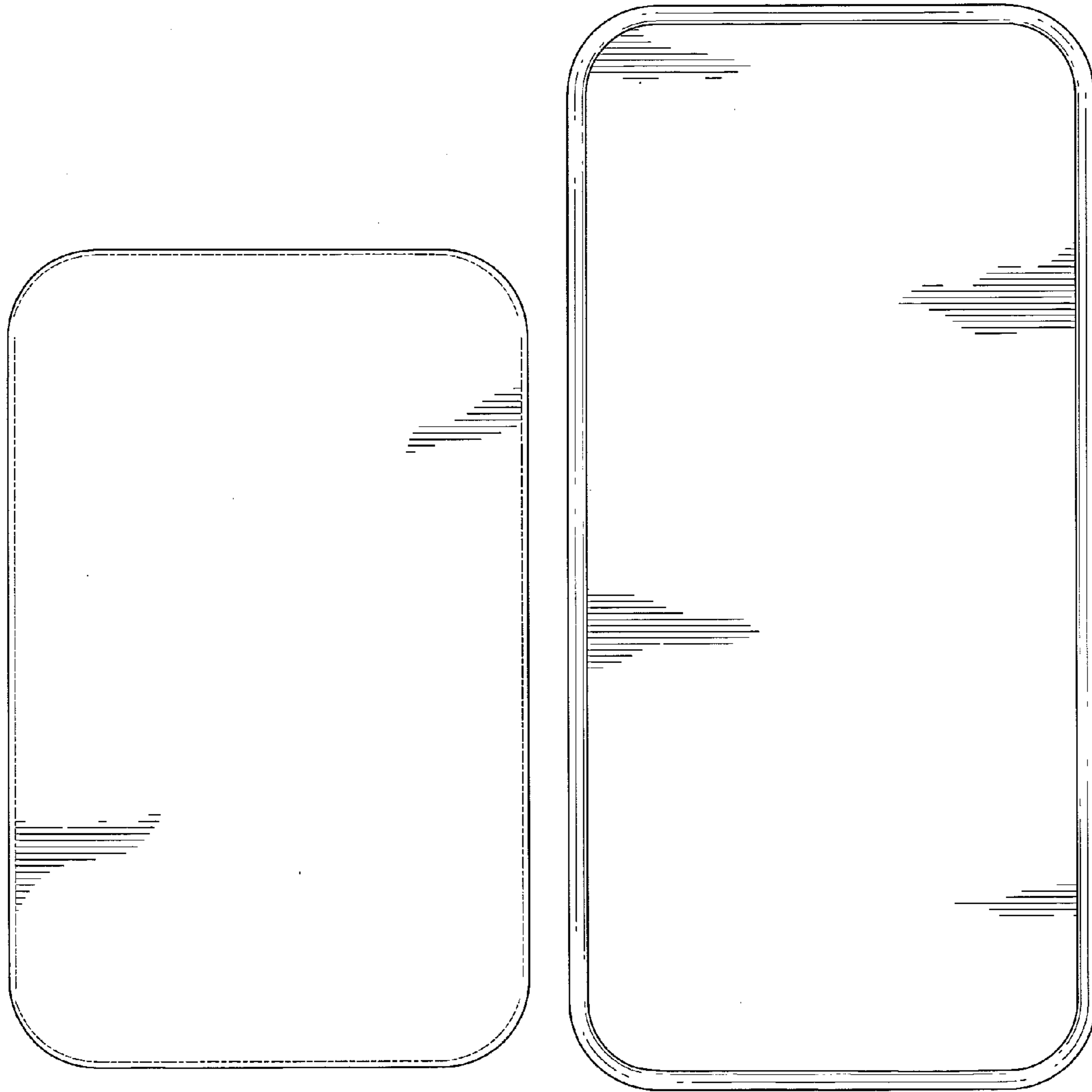


FIG. 8

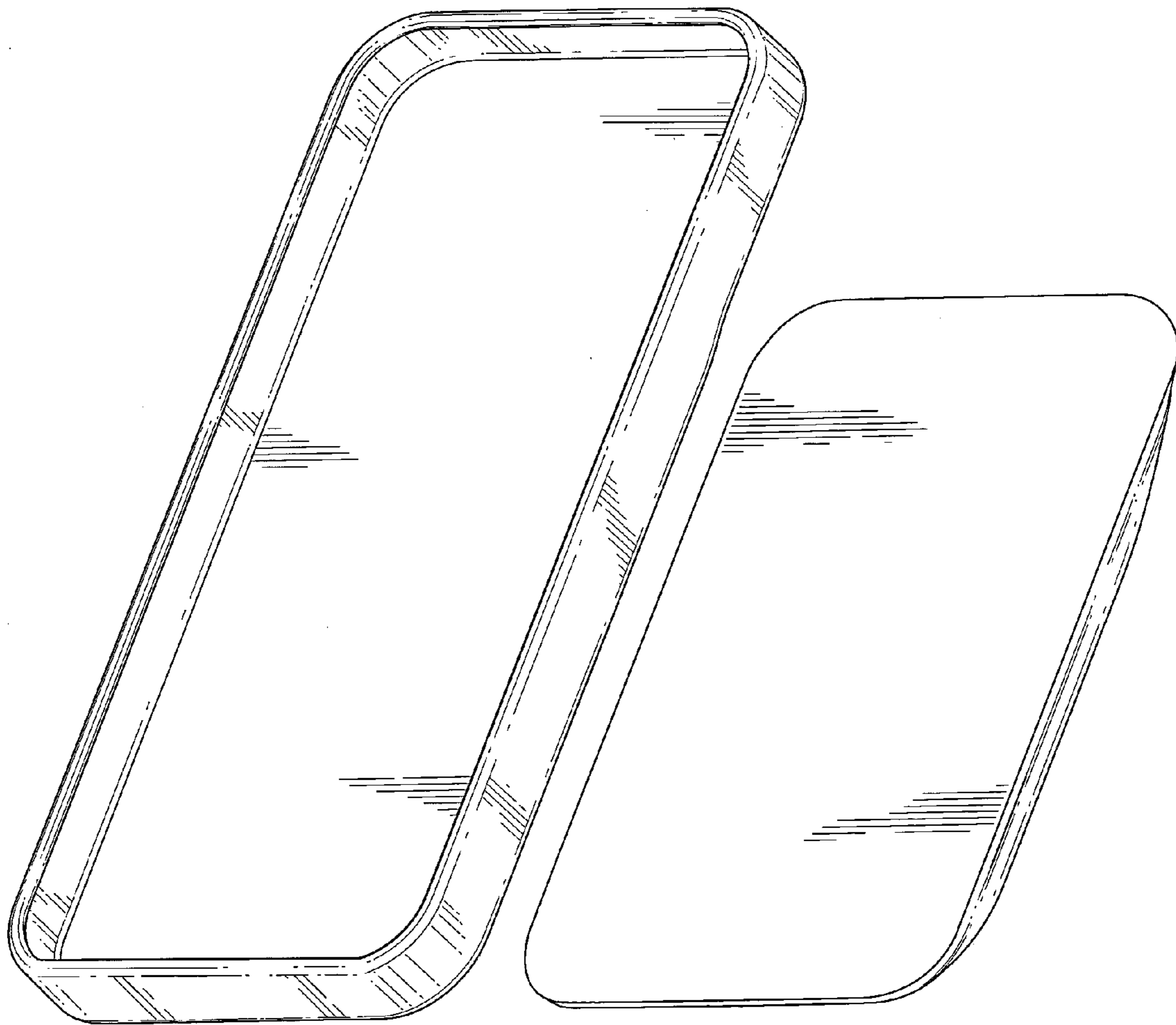


FIG. 9

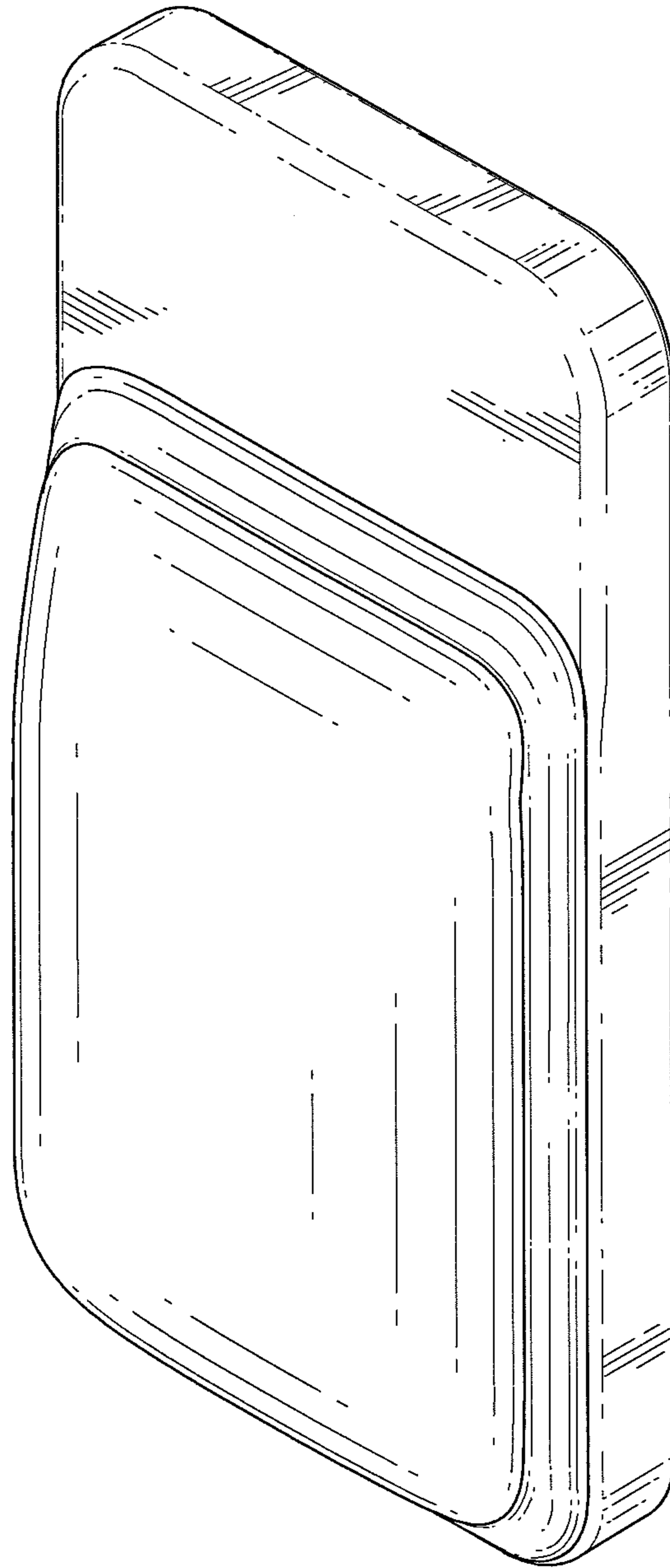


FIG. 10

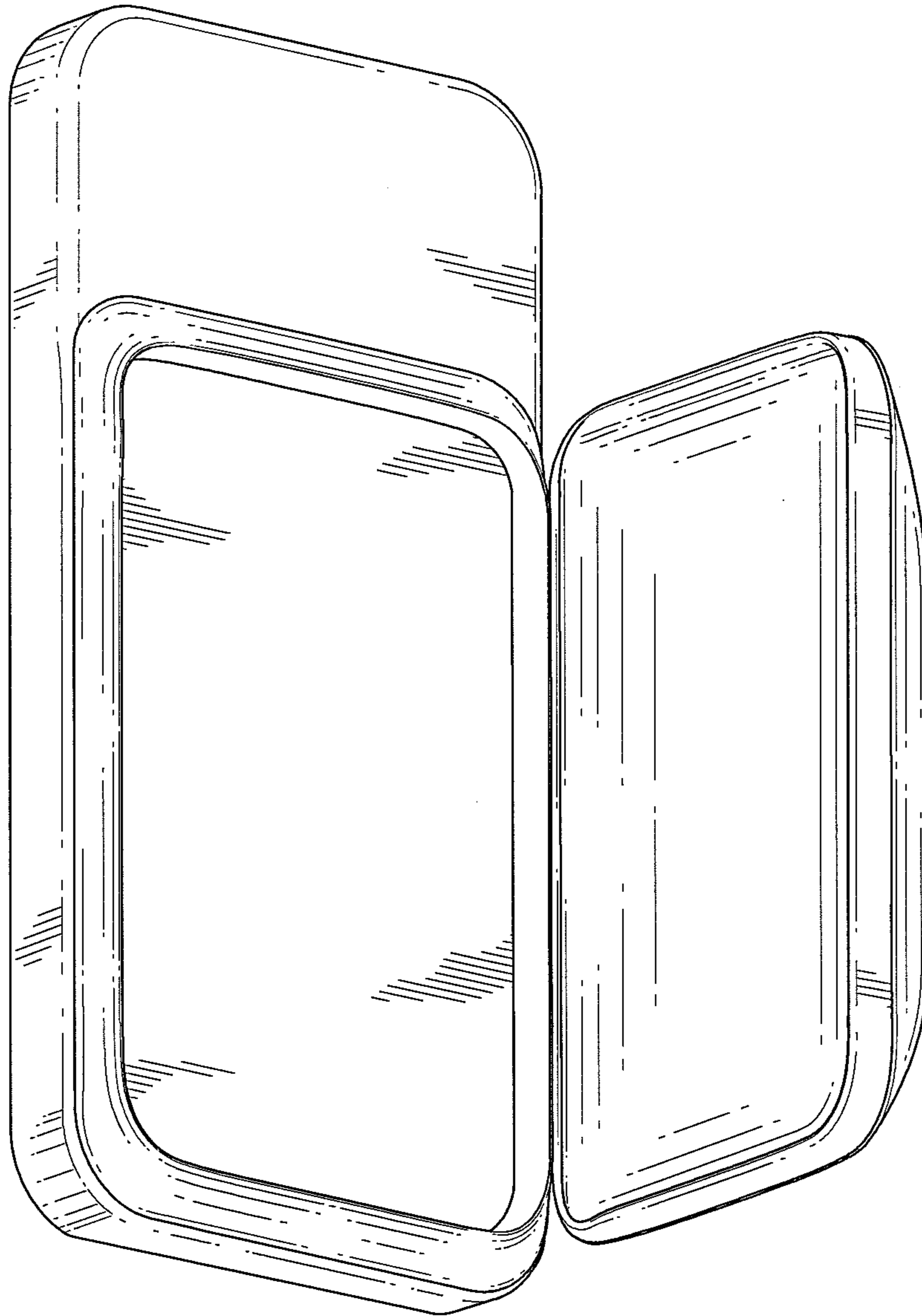


FIG. 11