



US00D723531S

(12) **United States Design Patent**  
**Katzke**

(10) **Patent No.:** **US D723,531 S**  
(45) **Date of Patent:** **\*\* Mar. 3, 2015**

(54) **PHONE CASE WITH DISPLAY CHAMBER**

(71) Applicant: **Broadscope International, Inc.**, San Diego, CA (US)

(72) Inventor: **Steven B. Katzke**, San Diego, CA (US)

(73) Assignee: **Broadscope International Inc.**, San Diego, CA (US)

(\*\*) Term: **14 Years**

(21) Appl. No.: **29/443,487**

(22) Filed: **Jan. 17, 2013**

(51) **LOC (10) Cl.** ..... **14-03**

(52) **U.S. Cl.**  
USPC ..... **D14/250**

(58) **Field of Classification Search**

CPC ..... A45C 2011/002; A45C 13/002; H04B 1/3888; H04M 1/04; H04M 1/0202; H04M 1/0283; H04M 1/0262; H04M 1/185  
USPC ..... D14/250, 137, 138 AA, 217, 238.1, 248, D14/251, 252, 253, 346, 440, 496, 356; D13/107, 108; 455/575.1, 575.8, 95, 455/93; 220/4.02; 206/305, 320, 251, 45.2  
See application file for complete search history.

(56) **References Cited**

**U.S. PATENT DOCUMENTS**

D649,539 S \* 11/2011 Hong ..... D14/250  
D685,779 S \* 7/2013 Schriefer et al. .... D14/250  
D686,606 S \* 7/2013 Hong ..... D14/250

D686,607 S \* 7/2013 Hong ..... D14/250  
D697,504 S \* 1/2014 Yang ..... D14/250  
D704,182 S \* 5/2014 Smith ..... D14/250  
2014/0076753 A1\* 3/2014 Limber et al. .... 206/320  
2014/0194167 A1\* 7/2014 Grimes ..... 455/575.1

\* cited by examiner

*Primary Examiner* — Deanna L Pratt

*Assistant Examiner* — Lilyana Bekic

(74) *Attorney, Agent, or Firm* — Stetina Brunda Garred & Brucker

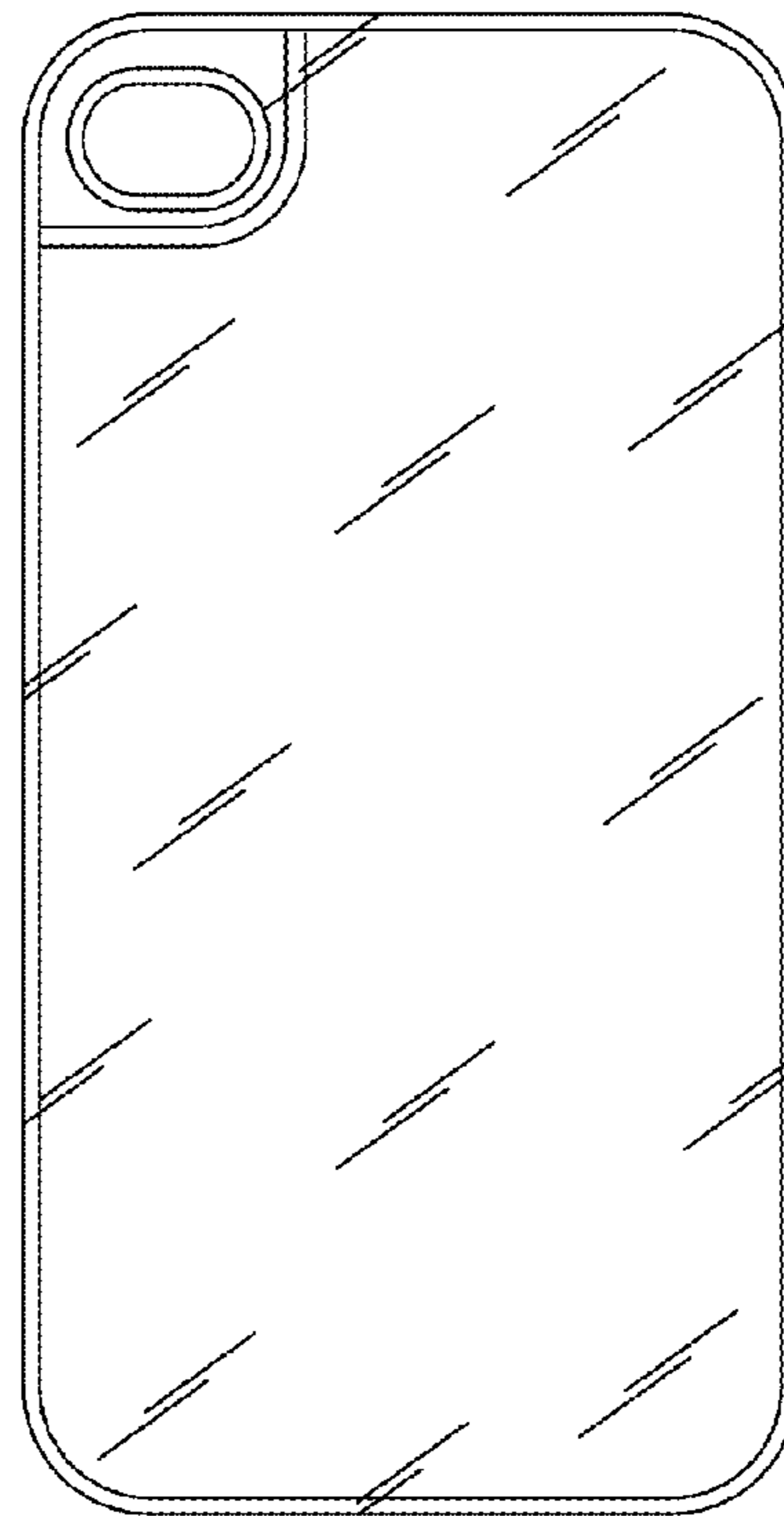
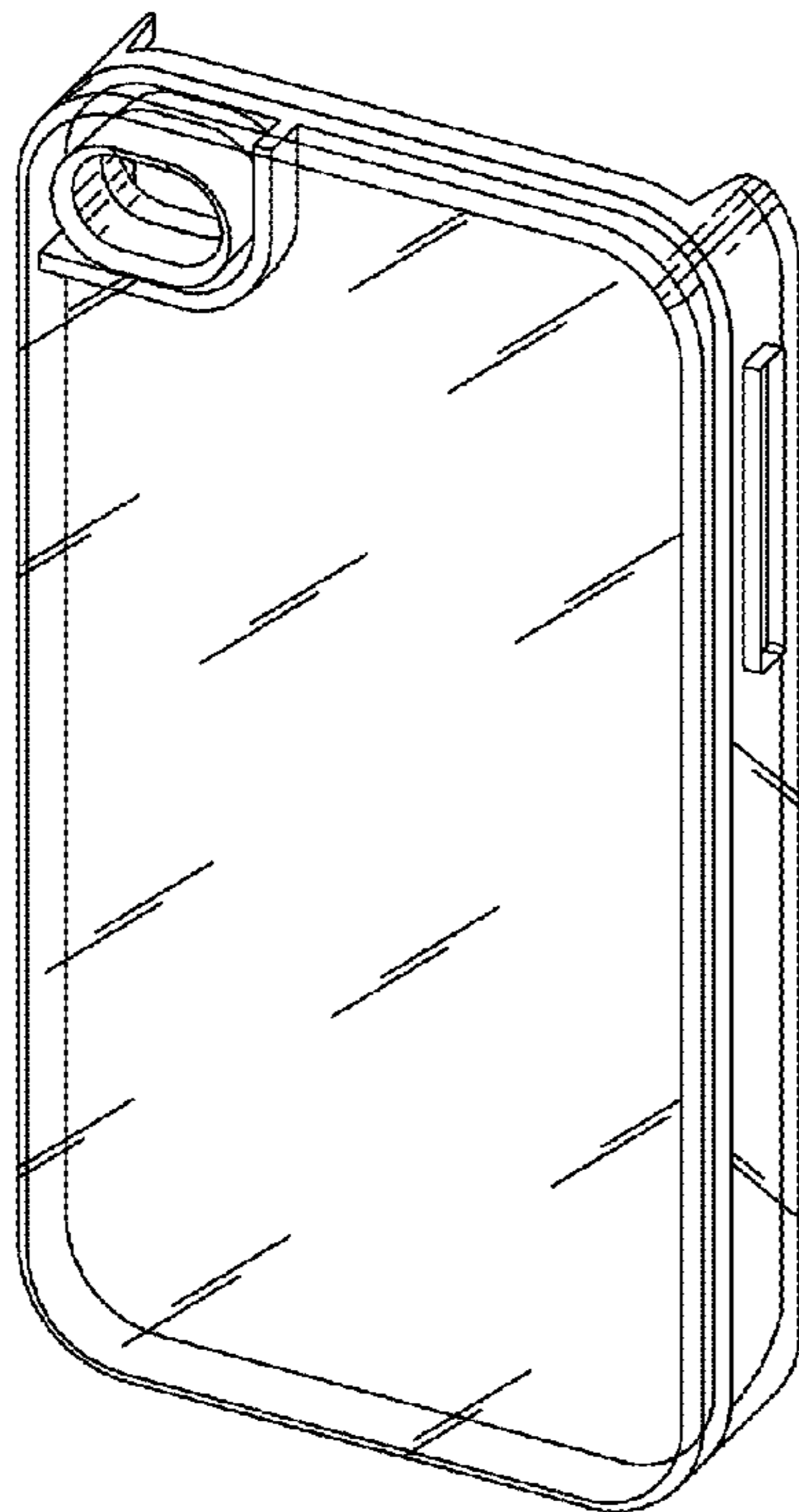
(57) **CLAIM**

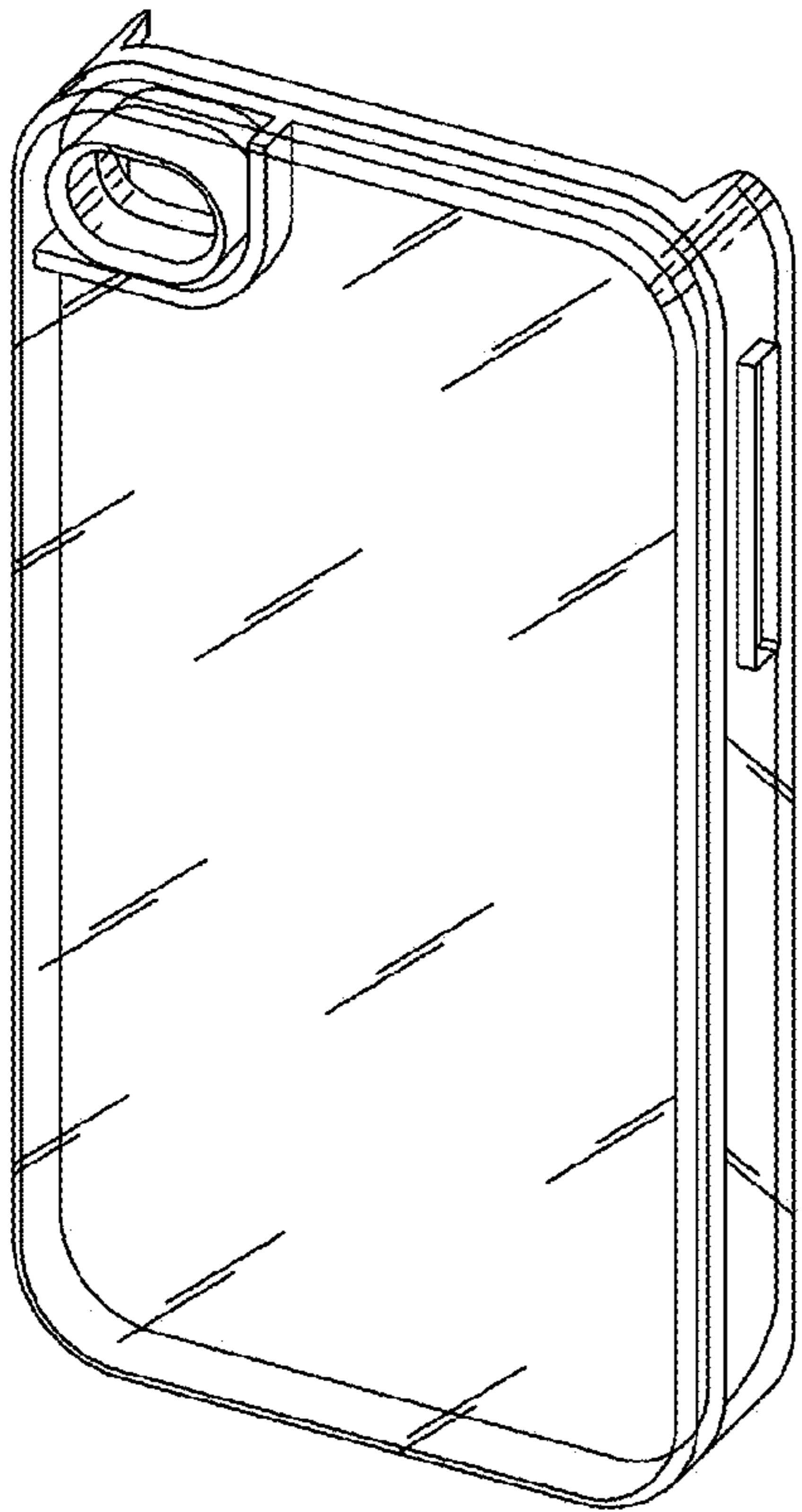
The ornamental design for a phone case with display chamber, as shown and described.

**DESCRIPTION**

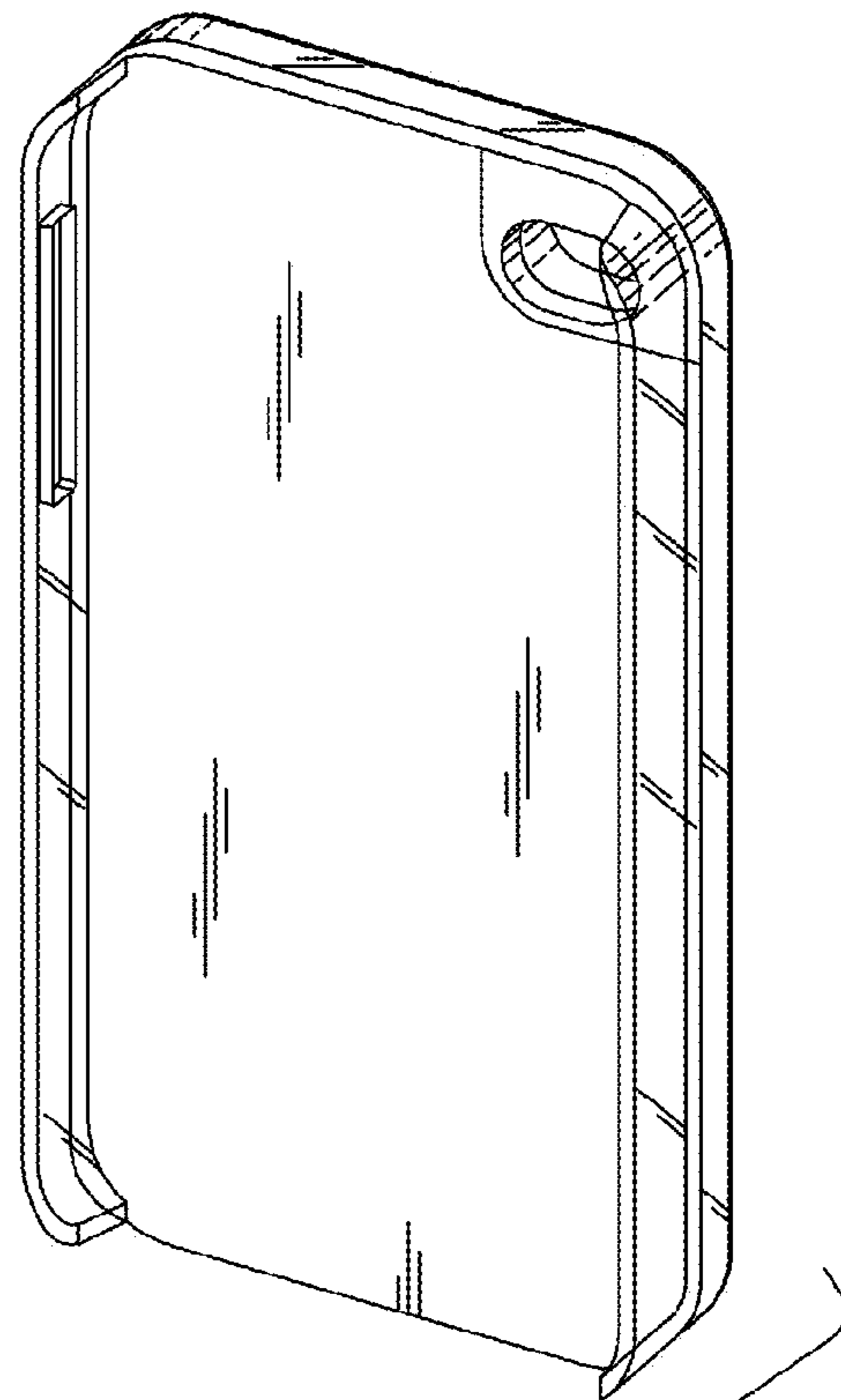
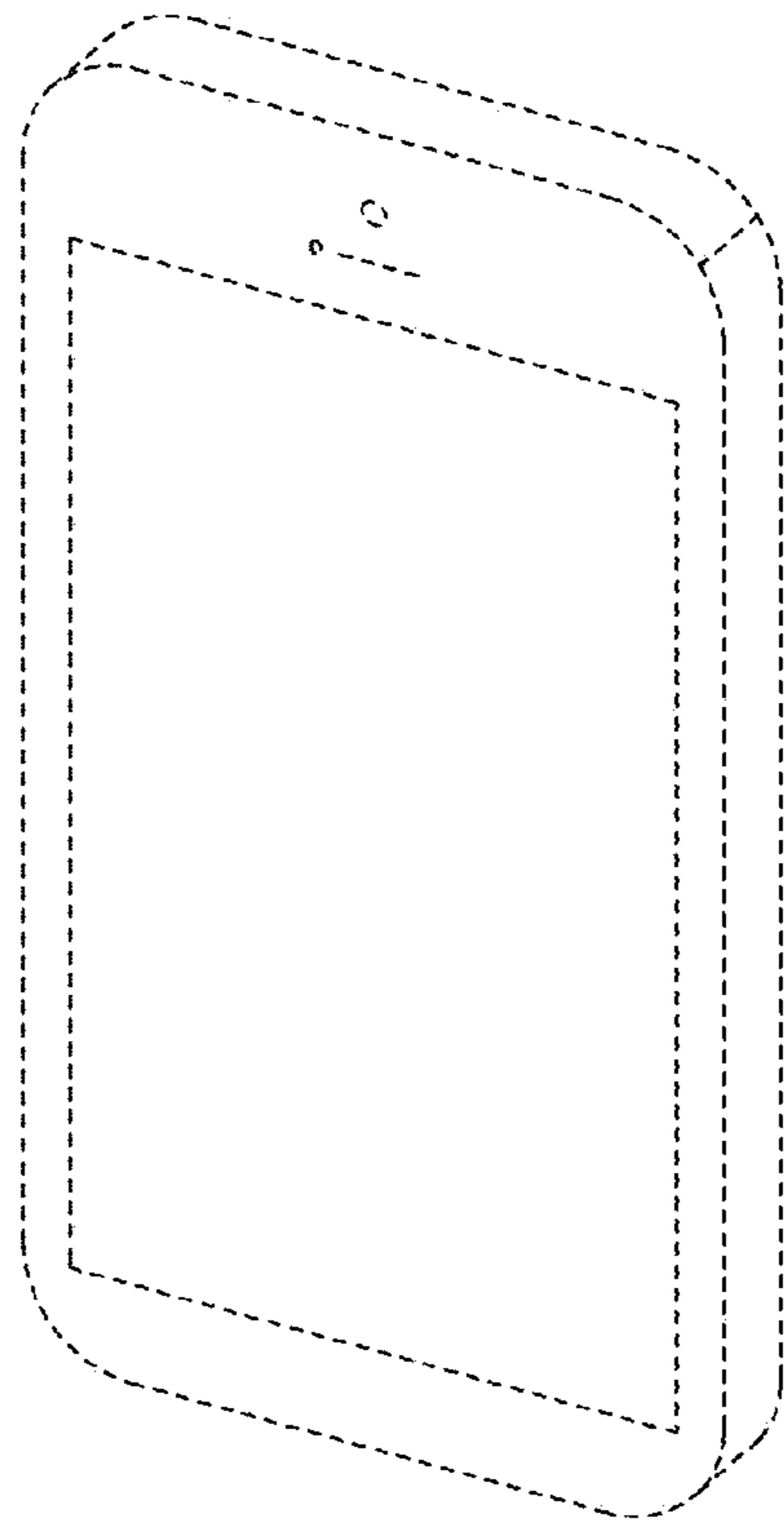
FIG. 1 is a back side perspective view of a phone case with display chamber showing the new design;  
FIG. 2 is a front perspective view thereof shown in an environment;  
FIG. 3 is top view thereof;  
FIG. 4 is a bottom view thereof;  
FIG. 5 is a right side view thereof;  
FIG. 6 is a rear view thereof;  
FIG. 7 is a left side view thereof;  
FIG. 8 is a front view thereof; and,  
FIG. 9 is a back side perspective view thereof shown in an environment with ornamental items and fluid shown in broken lines.  
The broken lines in FIGS. 2 and 9 illustrates the environment of the claimed design and forms no part thereof.

**1 Claim, 3 Drawing Sheets**

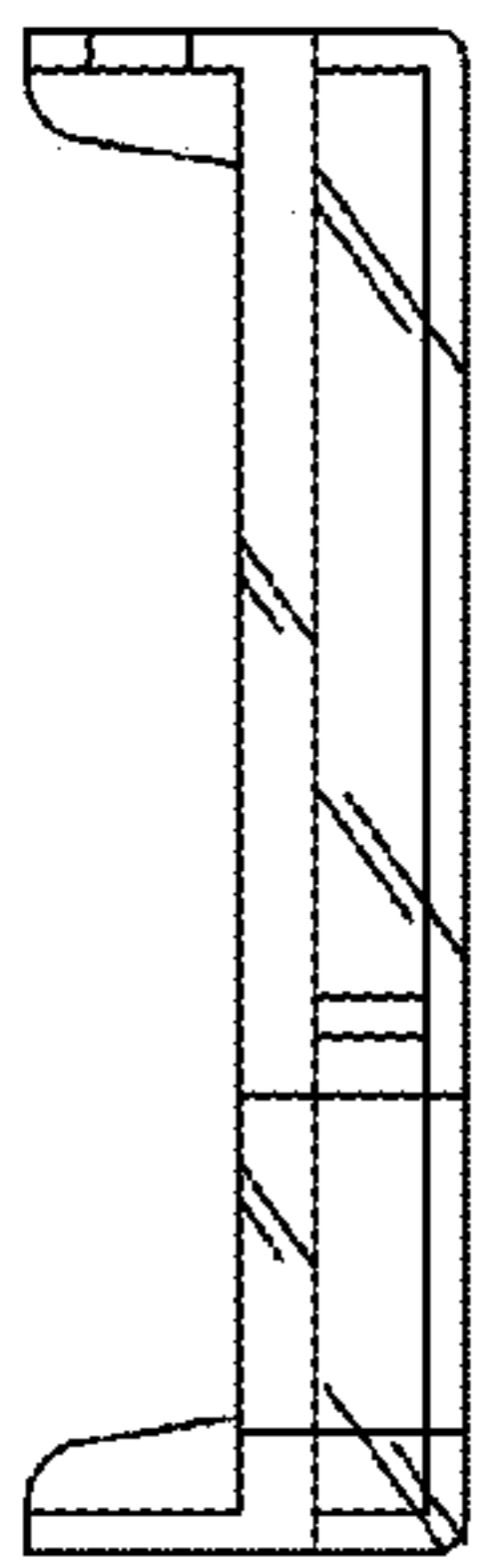




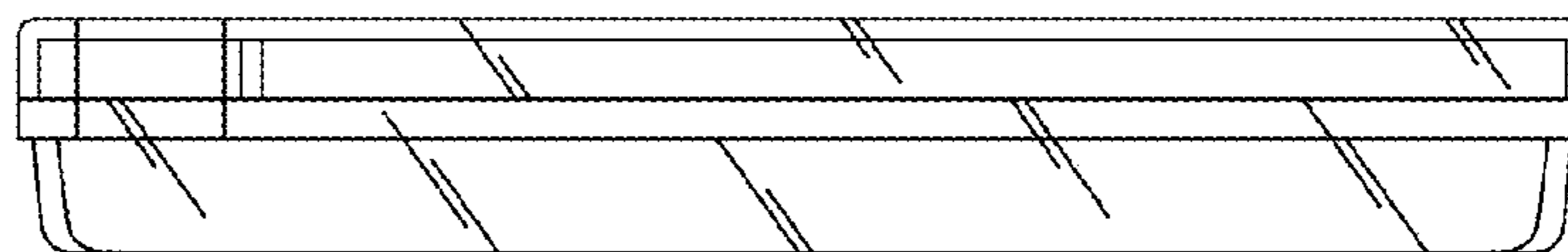
*Fig. 1*



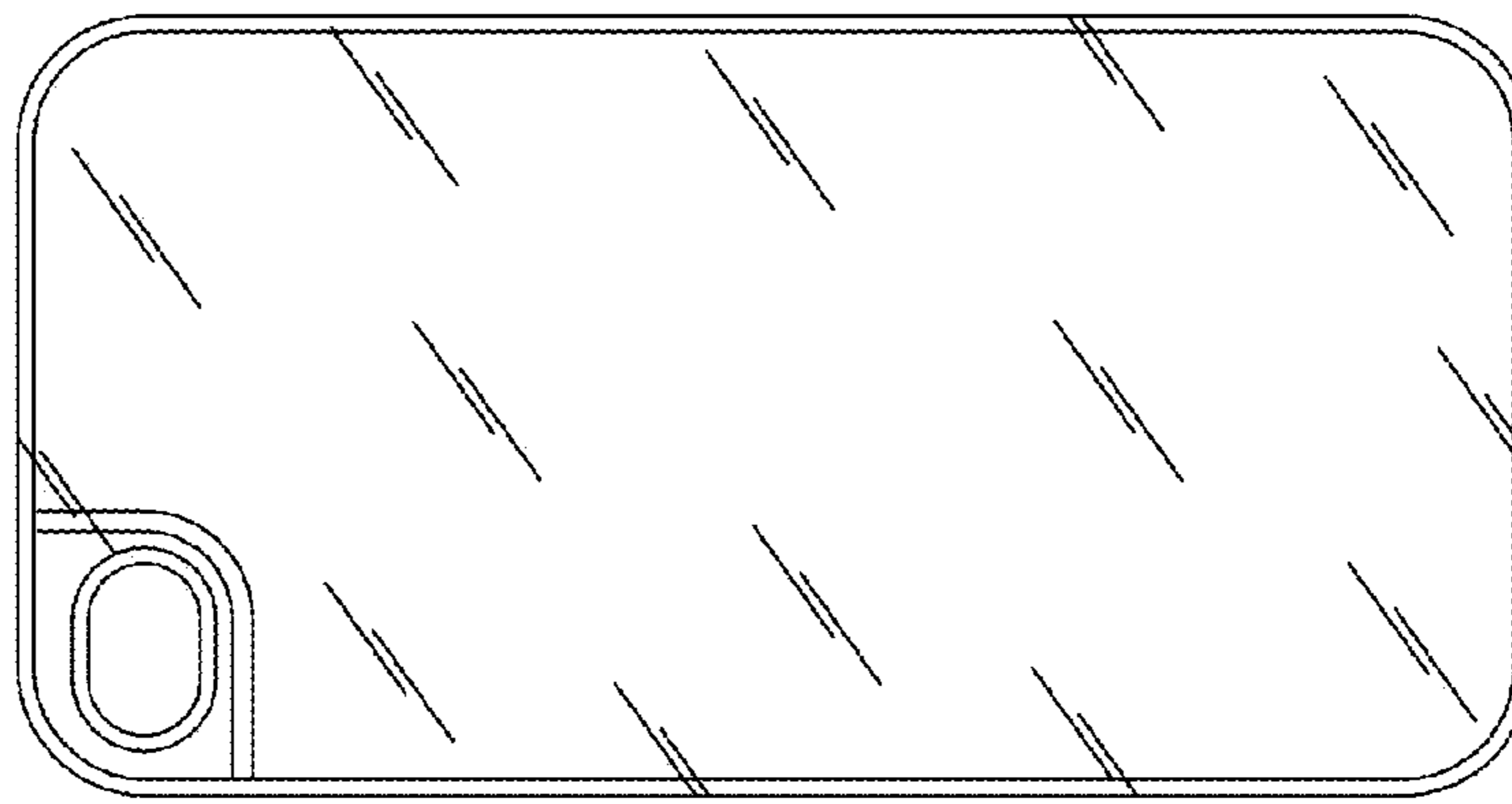
*Fig. 2*



*Fig. 3*



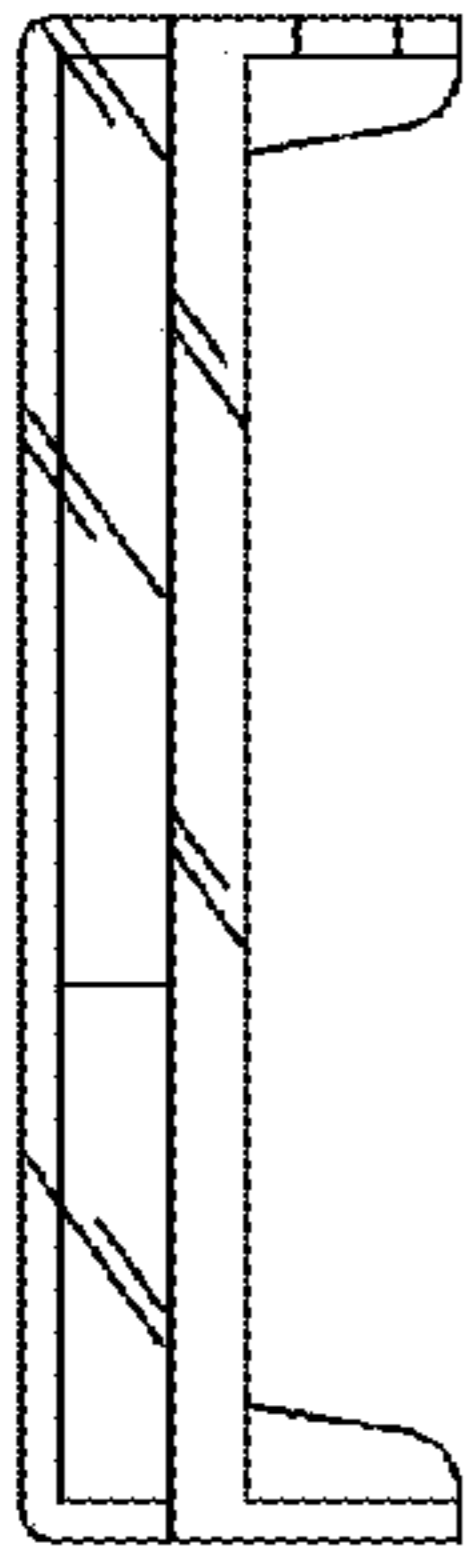
*Fig. 5*



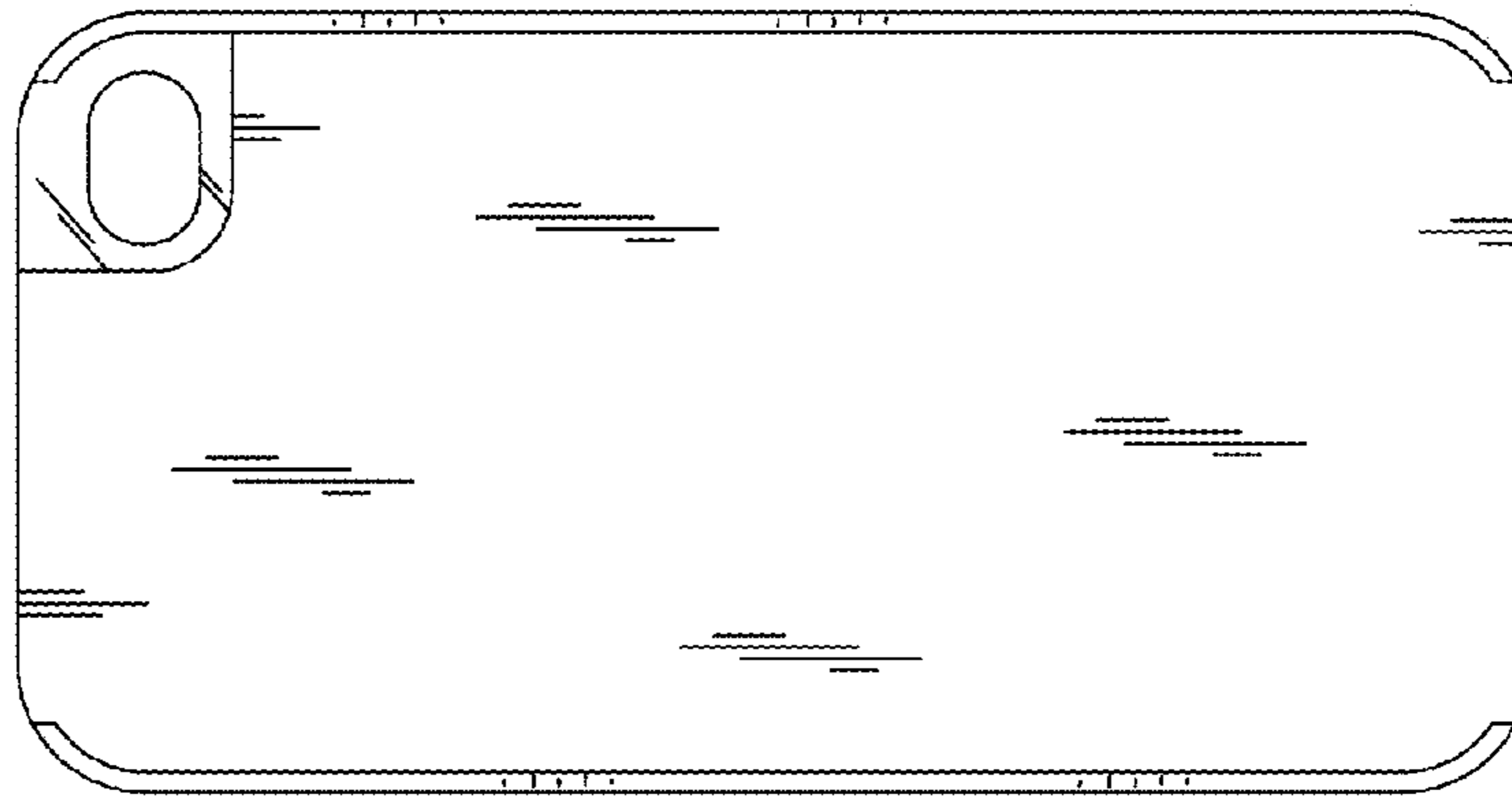
*Fig. 6*



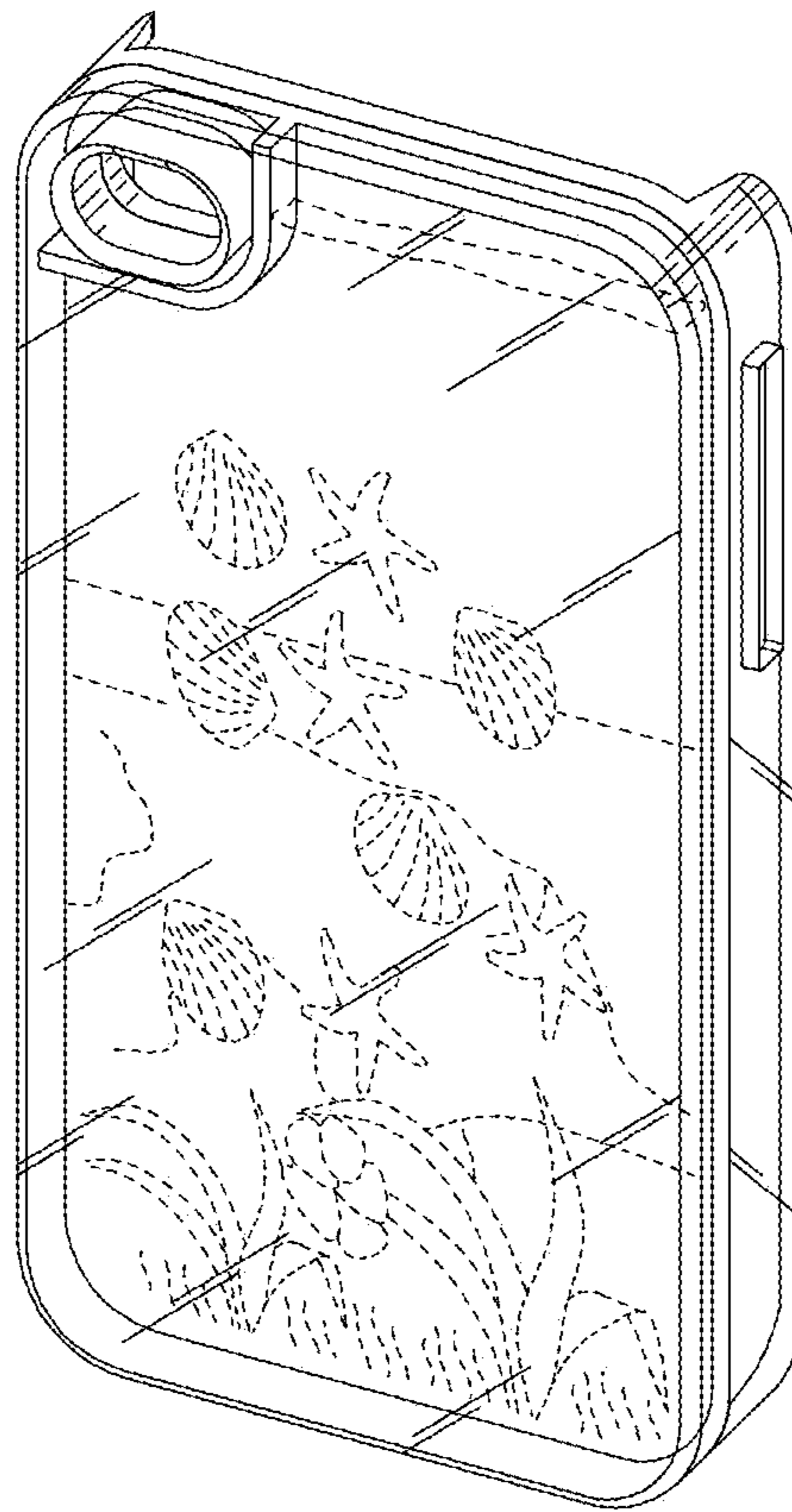
*Fig. 7*



*Fig. 4*



*Fig. 8*



*Fig. 9*