



US00D723530S

(12) **United States Design Patent**
Namminga et al.

(10) **Patent No.:** **US D723,530 S**
(45) **Date of Patent:** **** Mar. 3, 2015**

(54) **UNBANDED BATTERY CASE FOR A MOBILE DEVICE**

(71) Applicant: **Mophie, Inc.**, Tustin, CA (US)

(72) Inventors: **Andrew Namminga**, Costa Mesa, CA (US); **Hien Nguyen**, Westminster, CA (US)

(73) Assignee: **Mophie, Inc.**, Tustin, CA (US)

(**) Term: **14 Years**

(21) Appl. No.: **29/433,665**

(22) Filed: **Oct. 3, 2012**

(51) **LOC (10) Cl.** **14-03**

(52) **U.S. Cl.**
USPC **D14/250**

(58) **Field of Classification Search**

USPC D14/138 AD, 138 C, 138 G, 203.7, 230,
D14/240, 247, 248, 250, 253, 341, 345, 346,
D14/439, 440, 447; D13/103, 108, 119;
D3/218; 206/320; 220/662;
361/679.27, 679.41; 429/7, 96;
455/557; 320/115

See application file for complete search history.

(56) **References Cited**

U.S. PATENT DOCUMENTS

D267,795 S 2/1983 Mallon
(Continued)

FOREIGN PATENT DOCUMENTS

CN 201252577 6/2009
(Continued)

OTHER PUBLICATIONS

International Search Report and Written Opinion of the International Searching Authority for PCT/US2014/017781, dated Jun. 8, 2014.

(Continued)

Primary Examiner — Barbara Fox
Assistant Examiner — Chelsea Sealey

(74) *Attorney, Agent, or Firm* — Knobbe Martens Olson & Bear LLP

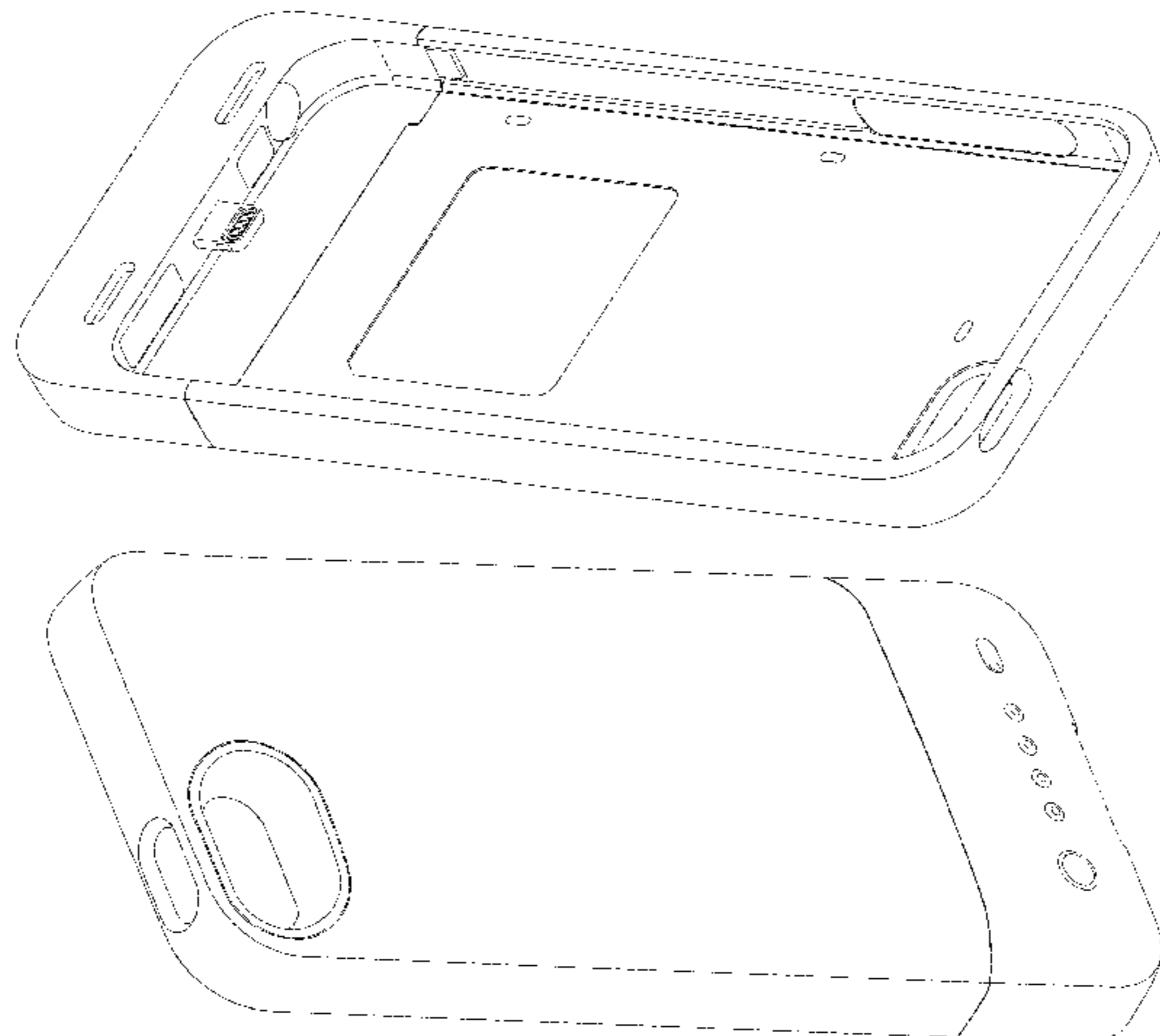
(57) **CLAIM**

The ornamental design for an unbanded battery case for a mobile device, as shown and described.

DESCRIPTION

FIG. 1 is a three-quarter perspective view of an unbanded battery case for a mobile device showing the new design, with the mobile device removed for clarity and illustration; FIG. 2 is a three-quarter rear perspective view thereof; FIG. 3 is a front view thereof; FIG. 4 is a rear view thereof; FIG. 5 is a left-side view thereof; FIG. 6 is a right-side view thereof; FIG. 7 is a bottom view thereof; FIG. 8 is a top view thereof; FIG. 9 is a three-quarter perspective view of an unbanded battery case for a mobile device, with the mobile device included therein; FIG. 10 is a three-quarter rear perspective view of FIG. 9 thereof; FIG. 11 is a front view of FIG. 9 thereof; FIG. 12 is a rear view of FIG. 9 thereof; FIG. 13 is a left-side view of FIG. 9 thereof; FIG. 14 is a right-side view of FIG. 9 thereof; FIG. 15 is a bottom view of FIG. 9 thereof; FIG. 16 is a top view of FIG. 9 thereof; FIG. 17 is a three-quarter perspective view of an unbanded battery case for a mobile device, containing a mobile device with the bottom portion shown in a disconnected position; FIG. 18 is a three-quarter rear perspective view of FIG. 17 thereof; FIG. 19 is a front view of FIG. 17 thereof; FIG. 20 is a rear view of FIG. 17 thereof; FIG. 21 is a left-side view of FIG. 17 thereof; FIG. 22 is a right-side view of FIG. 17 thereof; FIG. 23 is a bottom view of FIG. 17 thereof; and, FIG. 24 is a top view of FIG. 17 thereof. The portions in broken lines in the drawings are shown to illustrate environment only and form no part of the claimed design.

1 Claim, 18 Drawing Sheets



(56)

References Cited

U.S. PATENT DOCUMENTS

4,479,596	A	10/1984	Swanson	D508,495	S	8/2005	Bone et al.
4,515,272	A	5/1985	Newhouse	D513,123	S	12/2005	Richardson et al.
D284,372	S	6/1986	Carpenter	6,980,777	B2	12/2005	Shepherd et al.
4,951,817	A	8/1990	Barletta et al.	D513,451	S	1/2006	Richardson et al.
D312,534	S	12/1990	Nelson et al.	6,992,461	B2	1/2006	Liang et al.
5,001,772	A	3/1991	Holcomb et al.	D514,808	S	2/2006	Morine et al.
D322,719	S	12/1991	Jayez	D516,309	S	3/2006	Richardson et al.
D327,868	S	7/1992	Oka	D516,553	S	3/2006	Richardson et al.
5,360,108	A	11/1994	Alagia	D516,554	S	3/2006	Richardson et al.
5,368,159	A	11/1994	Doria	D516,807	S	3/2006	Richardson et al.
5,383,091	A	1/1995	Snell	D517,007	S	3/2006	Yong-Jian et al.
5,386,084	A	1/1995	Risko	D520,744	S	5/2006	Pangrec et al.
5,508,123	A	4/1996	Fan	7,050,841	B1	5/2006	Onda
D372,896	S	8/1996	Nagele et al.	7,069,063	B2	6/2006	Halkosaari et al.
5,586,002	A	12/1996	Notarianni	D525,582	S	7/2006	Chan
5,604,050	A	2/1997	Brunette et al.	7,072,699	B2	7/2006	Eiden
5,610,979	A	3/1997	Yu	7,079,879	B1	7/2006	Sylvester et al.
5,708,707	A	1/1998	Halttunen et al.	7,081,736	B2	7/2006	Seil et al.
5,711,013	A	1/1998	Collett et al.	D526,780	S	8/2006	Richardson et al.
D392,248	S	3/1998	Johansson	D526,958	S	8/2006	Shimizu
D392,939	S	3/1998	Finke-Anlauff	D530,079	S	10/2006	Thomas et al.
5,786,106	A	7/1998	Armani	D535,252	S	1/2007	Sandnes
5,816,459	A	10/1998	Armistead	7,158,376	B2	1/2007	Richardson et al.
D400,495	S	11/1998	Deslyper et al.	7,166,987	B2	1/2007	Lee et al.
5,859,481	A	1/1999	Banyas	D537,063	S	2/2007	Kim et al.
5,864,766	A	1/1999	Chiang	7,180,735	B2	2/2007	Thomas et al.
D405,801	S	2/1999	Nagele et al.	7,180,754	B2	2/2007	Qin et al.
D407,063	S	3/1999	Reis et al.	7,194,291	B2	3/2007	Peng
D407,708	S	4/1999	Nagele et al.	D540,539	S	4/2007	Gutierrez
5,896,277	A	4/1999	Leon et al.	7,203,467	B2	4/2007	Siddiqui
5,973,477	A	10/1999	Chang	D542,286	S	5/2007	Taniyama et al.
D417,189	S	11/1999	Amero, Jr. et al.	D542,524	S	5/2007	Richardson et al.
6,043,626	A	3/2000	Snyder et al.	D543,541	S	5/2007	Chung et al.
D424,512	S	5/2000	Ho	D544,486	S	6/2007	Hussaini et al.
6,081,595	A	6/2000	Picaud	7,230,823	B2	6/2007	Richardson et al.
D428,019	S	7/2000	Amron	D547,056	S	7/2007	Griffin et al.
6,082,535	A	7/2000	Mitchell	D547,057	S	7/2007	Griffin et al.
6,171,138	B1	1/2001	Lefebvre et al.	D550,455	S	9/2007	Barnhart
D438,004	S	2/2001	Watson et al.	D551,252	S	9/2007	Andre et al.
6,184,654	B1	2/2001	Bachner, III et al.	D551,856	S	10/2007	Ko et al.
D439,218	S	3/2001	Yu	D553,857	S	10/2007	Pendergraph et al.
6,201,867	B1	3/2001	Koike	D556,679	S	12/2007	Weinstein et al.
6,208,115	B1	3/2001	Binder	D556,681	S	12/2007	Kim
D446,497	S	8/2001	Yu	D557,205	S	12/2007	Kim
6,273,252	B1	8/2001	Mitchell	D557,264	S	12/2007	Richardson et al.
6,313,982	B1	11/2001	Hino	D557,494	S	12/2007	Mayette et al.
6,317,313	B1	11/2001	Mosgrove et al.	D557,897	S	12/2007	Richardson et al.
6,324,380	B1	11/2001	Kiuchi et al.	7,312,984	B2	12/2007	Richardson et al.
6,346,791	B1	2/2002	Barguirdjian	D558,667	S	1/2008	Park et al.
6,405,056	B1	6/2002	Altschul et al.	D558,757	S	1/2008	Andre et al.
D460,411	S	7/2002	Wang	D558,972	S	1/2008	Oh
D460,761	S	7/2002	Croley	D558,973	S	1/2008	Hussaini et al.
6,415,138	B2	7/2002	Sirola et al.	D559,267	S	1/2008	Griffin
6,445,577	B1	9/2002	Madsen et al.	D560,229	S	1/2008	Yagi
6,471,056	B1	10/2002	Tzeng	D561,092	S	2/2008	Kim
D469,427	S	1/2003	Ma et al.	7,336,973	B2	2/2008	Goldthwaite et al.
6,536,589	B2	3/2003	Chang	D563,093	S	3/2008	Nussberger
6,538,413	B1	3/2003	Beard et al.	7,343,184	B2	3/2008	Rostami
D472,384	S	4/2003	Richardson	D565,291	S	4/2008	Brandenburg et al.
6,552,513	B1	4/2003	Li	7,400,917	B2	7/2008	Wood et al.
6,555,990	B1	4/2003	Yang	D574,326	S	8/2008	Lim
6,583,601	B2	6/2003	Simoes et al.	D574,819	S	8/2008	Andre et al.
6,614,722	B2	9/2003	Polany et al.	D575,056	S	8/2008	Tan
6,626,362	B1	9/2003	Steiner et al.	7,428,427	B2	9/2008	Brunstrom et al.
D481,716	S	11/2003	He et al.	D577,904	S	10/2008	Sasaki
D482,529	S	11/2003	Hardigg et al.	D581,151	S	11/2008	Aipa
6,646,864	B2	11/2003	Richardson	D581,155	S	11/2008	Richardson et al.
D484,874	S	1/2004	Chang et al.	D581,421	S	11/2008	Richardson et al.
D485,834	S	1/2004	Davetas	D582,149	S	12/2008	Tan
6,701,159	B1	3/2004	Powell	7,464,814	B2	12/2008	Carnevali
6,708,887	B1	3/2004	Garrett et al.	D584,732	S	1/2009	Cho et al.
6,714,802	B1	3/2004	Barvesten	7,479,759	B2	1/2009	Vilanov et al.
6,819,549	B1	11/2004	Lammers-Meis et al.	D587,008	S	2/2009	Richardson et al.
D500,041	S	12/2004	Tsujimoto	D587,896	S	3/2009	Aipa
D506,612	S	6/2005	Rosa et al.	D589,016	S	3/2009	Richardson et al.
				7,536,099	B2	5/2009	Dalby et al.
				D593,319	S	6/2009	Richardson et al.
				D593,746	S	6/2009	Richardson et al.
				D594,849	S	6/2009	Ko

(56)

References Cited

U.S. PATENT DOCUMENTS

7,555,325	B2	6/2009	Goros	D632,648	S	2/2011	Yang
D597,089	S	7/2009	Khan et al.	D632,683	S	2/2011	Richardson et al.
D597,301	S	8/2009	Richardson et al.	D632,684	S	2/2011	Richardson et al.
D598,407	S	8/2009	Richardson et al.	D632,685	S	2/2011	Richardson et al.
7,577,462	B2	8/2009	Kumar	D632,686	S	2/2011	Magness et al.
D600,640	S	9/2009	Stein et al.	7,889,489	B2	2/2011	Richardson et al.
D600,908	S	9/2009	Richardson et al.	7,889,498	B2	2/2011	Diebel et al.
D601,955	S	10/2009	Ekmekdje	D634,704	S	3/2011	Tieleman et al.
D601,959	S	10/2009	Lee et al.	D634,741	S	3/2011	Richardson et al.
D601,960	S	10/2009	Dai	7,899,397	B2	3/2011	Kumar
7,609,512	B2	10/2009	Richardson et al.	7,907,394	B2	3/2011	Richardson et al.
D603,602	S	11/2009	Richardson et al.	D636,386	S	4/2011	Richardson et al.
D603,603	S	11/2009	Laine et al.	D636,387	S	4/2011	Willes et al.
7,612,997	B1	11/2009	Diebel et al.	7,930,011	B2	4/2011	Shi et al.
D605,850	S	12/2009	Richardson et al.	7,933,122	B2	4/2011	Richardson et al.
D606,528	S	12/2009	Khan et al.	D637,588	S	5/2011	Richardson et al.
D606,529	S	12/2009	Ferrari et al.	D637,589	S	5/2011	Willes et al.
7,635,086	B2	12/2009	Spencer, II	D637,590	S	5/2011	Michie et al.
7,638,969	B2	12/2009	Woud	D637,591	S	5/2011	Willes et al.
7,647,082	B2	1/2010	Holmberg	D637,592	S	5/2011	Magness et al.
D609,228	S	2/2010	Ferrari et al.	D637,952	S	5/2011	Tan
D609,463	S	2/2010	Bullen	D638,005	S	5/2011	Richardson et al.
D610,538	S	2/2010	Wu et al.	D638,411	S	5/2011	Willes et al.
7,656,120	B2	2/2010	Neu et al.	D638,413	S	5/2011	Magness et al.
7,663,878	B2	2/2010	Swan et al.	D638,414	S	5/2011	Magness et al.
7,667,433	B1	2/2010	Smith	D638,828	S	5/2011	Melanson et al.
D610,807	S	3/2010	Bau	D638,829	S	5/2011	Melanson et al.
D611,042	S	3/2010	Ferrari et al.	D638,830	S	5/2011	Magness et al.
D611,478	S	3/2010	Richardson et al.	D639,731	S	6/2011	Sun
D613,282	S	4/2010	Richardson et al.	D640,679	S	6/2011	Willes et al.
D615,077	S	5/2010	Richardson et al.	D640,680	S	6/2011	Magness et al.
D615,535	S	5/2010	Richardson et al.	7,957,524	B2	6/2011	Chipping
D615,536	S	5/2010	Richardson et al.	D641,013	S	7/2011	Richardson et al.
D615,967	S	5/2010	Richardson et al.	D641,014	S	7/2011	Smith et al.
D616,360	S	5/2010	Huang	D641,974	S	7/2011	Stampfli
D616,361	S	* 5/2010	Huang D13/103	D642,170	S	7/2011	Johnson et al.
D617,753	S	6/2010	Cheng	D642,171	S	7/2011	Melanson et al.
D617,784	S	6/2010	Richardson et al.	D642,558	S	8/2011	Magness
D617,785	S	6/2010	Richardson et al.	D643,029	S	8/2011	Feng
D617,786	S	6/2010	Richardson et al.	D643,424	S	8/2011	Richardson et al.
D617,787	S	6/2010	Richardson et al.	D644,215	S	8/2011	Dong
7,733,637	B1	6/2010	Lam	D644,216	S	8/2011	Richardson et al.
D619,573	S	7/2010	Khan et al.	D644,219	S	8/2011	Sawada
D619,574	S	7/2010	Richardson et al.	7,988,010	B2	8/2011	Yang et al.
D619,991	S	7/2010	Huang	D644,635	S	9/2011	Richardson et al.
D620,487	S	7/2010	Richardson et al.	D644,639	S	9/2011	Weller et al.
D621,394	S	8/2010	Richardson et al.	D647,084	S	10/2011	Fathollahi
D621,395	S	8/2010	Richardson et al.	D647,108	S	10/2011	Lee
D621,821	S	8/2010	Richardson et al.	8,028,794	B1	10/2011	Freeman
D621,822	S	8/2010	Richardson et al.	8,046,039	B2	10/2011	Lee et al.
7,778,023	B1	8/2010	Mohoney	D648,714	S	11/2011	Jones, III et al.
7,782,610	B2	8/2010	Diebel et al.	D648,715	S	11/2011	Jones, III et al.
D623,179	S	9/2010	Richardson et al.	D648,716	S	11/2011	Jones, III et al.
D623,180	S	9/2010	Diebel	D649,143	S	11/2011	Jones, III et al.
D623,638	S	9/2010	Richardson et al.	D649,539	S	11/2011	Hong
D623,639	S	9/2010	Richardson et al.	D650,810	S	12/2011	Lemelman et al.
D623,640	S	9/2010	Freeman	D653,202	S	* 1/2012	Hasbrook et al. D13/103
D624,317	S	9/2010	Wenchel et al.	D654,069	S	2/2012	Kwon
D624,533	S	9/2010	Richardson et al.	D654,483	S	2/2012	Richardson et al.
D624,908	S	10/2010	Huskinson	D654,931	S	2/2012	Lemelman et al.
D624,909	S	10/2010	Huskinson	D655,281	S	3/2012	Turocy
D624,910	S	10/2010	Richardson et al.	D655,699	S	3/2012	Bau
D625,303	S	10/2010	Kim	D656,495	S	3/2012	Andre et al.
D626,120	S	10/2010	Richardson et al.	D658,165	S	4/2012	Freeman
D626,121	S	10/2010	Richardson et al.	8,150,485	B2	4/2012	Lee
D626,538	S	11/2010	Brown et al.	8,167,127	B2	5/2012	Martin et al.
D626,539	S	11/2010	Brown et al.	D662,923	S	7/2012	Piedra et al.
D626,540	S	11/2010	Brown et al.	D663,263	S	7/2012	Gupta et al.
D626,964	S	11/2010	Richardson et al.	D663,319	S	7/2012	Chen et al.
D628,568	S	12/2010	Richardson et al.	D664,091	S	7/2012	Pliner et al.
D628,994	S	12/2010	Griffin, Jr. et al.	8,224,408	B2	7/2012	Tomasini et al.
7,859,222	B2	12/2010	Woud	D665,386	S	8/2012	Fathollahi
D631,246	S	1/2011	Boettner	D665,735	S	* 8/2012	Kang et al. D13/108
7,863,856	B2	1/2011	Sherman et al.	8,245,842	B2	8/2012	Bau
7,863,862	B2	1/2011	Idzik et al.	8,247,102	B2	8/2012	Hua
				D667,783	S	9/2012	Zhang et al.
				D670,281	S	* 11/2012	Corpuz et al. D14/250
				D670,689	S	* 11/2012	Wang D14/250
				D671,105	S	* 11/2012	Rothbaum et al. D14/250

(56)

References Cited

U.S. PATENT DOCUMENTS

D671,106 S *	11/2012	Rothbaum et al.	D14/250	2008/0119244 A1	5/2008	Malhotra
D671,493 S *	11/2012	Hasbrook et al.	D13/119	2008/0123287 A1	5/2008	Rossell et al.
8,321,619 B2	11/2012	Kular et al.		2008/0132289 A1	6/2008	Wood et al.
8,328,008 B2	12/2012	Diebel et al.		2009/0017883 A1	1/2009	Lin
D674,394 S	1/2013	Kajimoto		2009/0051319 A1	2/2009	Fang et al.
D675,603 S	2/2013	Melanson et al.		2009/0069050 A1	3/2009	Jain et al.
D676,032 S	2/2013	Stump et al.		2009/0073650 A1	3/2009	Huang et al.
D676,432 S *	2/2013	Hasbrook et al.	D14/250	2009/0108800 A1	4/2009	Woud
8,367,235 B2	2/2013	Huang		2009/0111543 A1	4/2009	Tai et al.
8,380,264 B2	2/2013	Hung et al.		2009/0114556 A1	5/2009	Tai et al.
D677,249 S *	3/2013	Li et al.	D14/250	2009/0117955 A1	5/2009	Lo
D678,869 S	3/2013	Diebel		2009/0128092 A1	5/2009	Woud
D679,271 S	4/2013	Liu		2009/0143104 A1	6/2009	Loh et al.
D679,684 S	4/2013	Baker et al.		2009/0144456 A1	6/2009	Gelf et al.
D682,196 S	5/2013	Leung		2009/0146898 A1	6/2009	Akiho et al.
8,452,242 B2	5/2013	Spencer, II		2009/0160399 A1	6/2009	Woud
8,457,701 B2	6/2013	Diebel		2009/0160400 A1 *	6/2009	Woud 320/115
D685,356 S	7/2013	Diebel		2009/0181729 A1	7/2009	Griffin, Jr. et al.
D686,152 S	7/2013	Lee et al.		2009/0186264 A1 *	7/2009	Huang 429/96
D686,606 S	7/2013	Hong		2009/0205983 A1	8/2009	Estlander
8,483,758 B2 *	7/2013	Huang 455/557		2009/0247244 A1 *	10/2009	Mittleman et al. 455/575.1
D687,426 S	8/2013	Requa		2009/0284216 A1	11/2009	Bessa et al.
8,499,933 B2	8/2013	Ziamba		2009/0301289 A1	12/2009	Gynes
8,505,718 B2	8/2013	Griffin, Jr. et al.		2009/0314400 A1	12/2009	Liu
8,509,864 B1	8/2013	Diebel		2009/0325657 A1	12/2009	Ramsdell et al.
8,531,833 B2	9/2013	Diebel et al.		2010/0013431 A1	1/2010	Liu
D691,990 S *	10/2013	Rayner D14/250		2010/0022277 A1	1/2010	An et al.
8,560,014 B1	10/2013	Hu et al.		2010/0026589 A1	2/2010	Dou et al.
D693,801 S *	11/2013	Rayner D14/250		2010/0048267 A1	2/2010	Lin
8,579,172 B2	11/2013	Monaco et al.		2010/0064883 A1	3/2010	Gynes
2001/0054148 A1	12/2001	Hoornaert et al.		2010/0078343 A1	4/2010	Hoellwarth et al.
2002/0111189 A1	8/2002	Chou		2010/0088439 A1	4/2010	Ang et al.
2002/0147035 A1	10/2002	Su		2010/0093412 A1	4/2010	Serra et al.
2002/0197965 A1	12/2002	Peng		2010/0096284 A1	4/2010	Bau
2003/0000984 A1	1/2003	Vick, III		2010/0113106 A1	5/2010	Supran
2003/0096642 A1	5/2003	Bessa et al.		2010/0195279 A1	8/2010	Michael
2003/0151890 A1	8/2003	Huang et al.		2010/0200456 A1	8/2010	Parkinson
2003/0218445 A1	11/2003	Behar		2010/0203931 A1	8/2010	Hynecek et al.
2003/0228866 A1	12/2003	Pezeshki		2010/0243516 A1	9/2010	Martin et al.
2004/0096054 A1	5/2004	Nuovo		2010/0302716 A1	12/2010	Gandhi
2004/0097256 A1	5/2004	Kujawski		2010/0328203 A1	12/2010	Hsu
2004/0104268 A1	6/2004	Bailey		2011/0049005 A1	3/2011	Wilson et al.
2005/0090301 A1	4/2005	Lange et al.		2011/0055447 A1	3/2011	Costa
2005/0093510 A1	5/2005	Seil et al.		2011/0084081 A1	4/2011	Chung et al.
2005/0116684 A1	6/2005	Kim		2011/0090626 A1	4/2011	Hoellwarth et al.
2005/0231159 A1	10/2005	Jones et al.		2011/0117974 A1	5/2011	Spitalnik et al.
2005/0247787 A1	11/2005	Von Mueller et al.		2011/0136555 A1	6/2011	Ramies et al.
2005/0248312 A1	11/2005	Cao et al.		2011/0159324 A1 *	6/2011	Huang et al. 429/7
2005/0286212 A1	12/2005	Brignone et al.		2011/0199041 A1	8/2011	Yang
2006/0010588 A1	1/2006	Schuster et al.		2011/0253569 A1	10/2011	Lord
2006/0052064 A1	3/2006	Goradesky		2011/0287726 A1	11/2011	Huang
2006/0058073 A1	3/2006	Kim		2011/0297578 A1	12/2011	Stiehl et al.
2006/0063569 A1	3/2006	Jacobs et al.		2012/0013295 A1 *	1/2012	Yeh 320/108
2006/0099999 A1	5/2006	Park		2012/0071214 A1	3/2012	Ash, Jr. et al.
2006/0105722 A1	5/2006	Kumar		2012/0088555 A1	4/2012	Hu
2006/0105824 A1	5/2006	Kim et al.		2012/0122520 A1	5/2012	Phillips
2006/0125445 A1	6/2006	Cao et al.		2012/0161696 A1	6/2012	Cook et al.
2006/0205447 A1	9/2006	Park et al.		2012/0209745 A1	8/2012	Spencer, II
2006/0255493 A1	11/2006	Fouladpour		2012/0282977 A1	11/2012	Haleluk
2007/0004450 A1	1/2007	Parikh		2012/0303520 A1	11/2012	Huang
2007/0093140 A1	4/2007	Begic et al.		2013/0045775 A1	2/2013	Heywood
2007/0142097 A1	6/2007	Hamasaki et al.		2013/0084799 A1	4/2013	Marholev et al.
2007/0152633 A1	7/2007	Lee		2013/0189923 A1	7/2013	Lewin
2007/0161404 A1	7/2007	Yasujima et al.		2013/0273983 A1	10/2013	Hsu
2007/0167190 A1	7/2007	Moosavi et al.		2013/0314880 A1	11/2013	Sun et al.
2007/0225031 A1	9/2007	Bodkin et al.		2014/0065948 A1	3/2014	Huang
2007/0236180 A1	10/2007	Rodgers				
2007/0261978 A1	11/2007	Sanderson				
2007/0297149 A1	12/2007	Richardson et al.				
2008/0007214 A1	1/2008	Cheng				
2008/0026803 A1	1/2008	Demuynck				
2008/0032758 A1	2/2008	Rostami				
2008/0053770 A1	3/2008	Tynyk				
2008/0096620 A1	4/2008	Lee et al.				
2008/0108395 A1	5/2008	Lee et al.				

FOREIGN PATENT DOCUMENTS

CN	202364273	8/2012
CN	202535667	11/2012
CN	302573150	9/2013
JP	8-18637	1/1996
JP	2000-175720	6/2000
KR	10-20050027961	3/2005
KR	20-2010-0005030	5/2010
KR	10-2010-0132724	12/2010
KR	10-2011-0005507	1/2011
TW	D150044	11/2012

(56)

References Cited

FOREIGN PATENT DOCUMENTS

TW	D156538	10/2013
WO	WO 95/15619	6/1995
WO	WO 97/33497	9/1997

OTHER PUBLICATIONS

Panasonic Lithium Ion Batteries Technical Handbook, dated 2007.

Chris Foresman, "Several Backup Batteries Can Extend Your Daily iPhone 3G Use," dated Jul. 18, 2008, <http://arstechnica.com/apple/2008/07/several-backup-batteries-can-extend-your-daily-iphone-3g-use/>.

U.S. Appl. No. 14/330,613, filed Jul. 14, 2014, Diebel et al. Using Your Treo 650 Smartphone by palmOne, dated 2005.

Lisa Gade, "Palm Treo 750," dated Jan. 17, 2007, <http://www.mobiletechreview.com/phones/Treo-750.htm>.

Incase Power Slider 3G for iPhone 3G Product Reference, alleged by Incase to be available on Nov. 28, 2008.

iPhone User's Guide, 2007.

"Power Slider," Web Archive Date Dec. 4, 2008, <https://web.archive.org/web/20081204105303/http://goincase.com/products/detail/power-slider-ec20003/>.

Azadeh Ensha, "A Case for Filling the iPhone 3G's Power Vacuum," Dated Nov. 27, 2008.

Joseph Flatley, "Incase Power Slider for iPhone 3G Doubles the Juice, Lets You Sync," dated Nov. 17, 2008.

Darren Quick, "Mophie Juice Pack for iPhone 3G now shipping," dated Nov. 10, 2008, <http://www.gizmag.com/mophie-juice-pack-iphone-3g/10342/>.

Otterbox Catalog, 2006.

Jeremy Horowitz, "PhoneSuit MiLi Power Pack for iPhone," Jan. 29, 2009, <http://www.ilounge.com/index.php/reviews/entry/phonesuit-mili-power-pack-for-iphone/>.

Jeremy Horowitz, "FastMac TruePower iV Universal Battery Charger," Dec. 11, 2008, <http://www.ilounge.com/index.php/reviews/entry/fastmac-truepower-iv-universal-battery-charger/>.

Jeremy Horowitz, "Konnet PowerKZ Extended Power for iPhone," Apr. 2, 2009, <http://www.ilounge.com/index.php/reviews/entry/konnet-powerkz-extended-power-for-iphone/>.

"Test: Batterie iPhone SKPAD" with Machine English Translation, Feb. 2, 2009, <http://iphonesofa.com/2009/02/02/test-batterie-iphone-skpad>.

Case-Ari, LLC v. mStation, Inc., Case No. 1:2010-CV-01874 in the United States District Court for the Northern District of Georgia, filed Jun. 17, 2010 (Docket).

Daniel Huang v. GC Technology, LLC, Case No. CV10-4705 CAS (VBKx) in the United States District Court for the Central District of California, filed Jun. 24, 2010 (Docket).

Hali-Power, Inc. v. mStation Corp., Case No. 1:2010-CV-00773 in the United States District Court for the Northern District of New York, filed Jun. 30, 2010 (Docket).

Mophie, Inc. v. Loza & Loza, LLP, Case No. SACV11-00539 DOC (MLGx) in the United States District Court for the Central District of California, filed Apr. 7, 2011 (Docket).

Mophie's Complaint, filed Apr. 7, 2011 in *Mophie, Inc. v. Loza & Loza, LLP*, Case No. SACV11-00539 DOC (MLGx) in the United States District Court for the Central District of California.

Mophie, Inc. v. Foreign Trade Corporation, Case No. 8:12-CV-00292-JST-RNB in the United States District Court for the Central District of California, filed Feb. 24, 2012 (Docket).

Mophie, Inc. v. Kdlinks Inc., Case No. 2:2012-CV-02639 in the United States District Court for the Central District of California, filed Mar. 27, 2012 (Docket).

Otter Products, LLC v. Mophie, LLC, Case No. 1:2012-CV-01969 in the United States District Court for the District of Colorado, filed Jul. 27, 2012 (Docket).

Mophie's Answer, filed Oct. 15, 2012 in *Otter Products, LLC v. Mophie, LLC*, Case No. 1:2012-CV-01969 in the United States District Court for the District of Colorado.

Otter's Motion for Summary Judgment of Infringement and Declaration in Support Thereof, filed May 13, 2013 in *Otter Products, LLC v. Mophie, LLC*, Case No. 1:2012-CV-01969 in the United States District Court for the District of Colorado.

Mophie's Opposition to Motion for Summary Judgment of Infringement, filed Jun. 6, 2013 in *Otter Products, LLC v. Mophie, LLC*, Case No. 1:2012-CV-01969 in the United States District Court for the District of Colorado.

Mophie's Claim Construction Brief, filed Jun. 14, 2013 in *Otter Products, LLC v. Mophie, LLC*, Case No. 1:2012-CV-01969 in the United States District Court for the District of Colorado.

Otter's Claim Construction Brief, filed Jun. 14, 2013 in *Otter Products, LLC v. Mophie, LLC*, Case No. 1:2012-CV-01969 in the United States District Court for the District of Colorado.

Mophie's Brief in Response to Otter's Claim Construction Brief, filed Jun. 24, 2013 in *Otter Products, LLC v. Mophie, LLC*, Case No. 1:2012-CV-01969 in the United States District Court for the District of Colorado.

Otter's Rebuttal Brief for Construction of Claim Terms and Declaration, filed Jun. 24, 2013 in *Otter Products, LLC v. Mophie, LLC*, Case No. 1:2012-CV-01969 in the United States District Court for the District of Colorado.

Otter's Reply in Support of Motion for Summary Judgment of Infringement, filed Jun. 24, 2013 in *Otter Products, LLC v. Mophie, LLC*, Case No. 1:2012-CV-01969 in the United States District Court for the District of Colorado.

Joint Claim Construction Statement, filed Jun. 26, 2013 in *Otter Products, LLC v. Mophie, LLC*, Case No. 1:2012-CV-01969 in the United States District Court for the District of Colorado.

Incase Designs, Inc. v. Mophie, Inc., Case No. 3:2013-CV-00602 in the United States District Court for the Northern District of California, filed Feb. 12, 2013 (Docket).

Mophie's Amended Answer and Counterclaims, filed May 8, 2013 in *Incase Designs, Inc. v. Mophie, Inc.*, Case No. 3:2013-CV-00602 in the United States District Court for the Northern District of California.

Mophie's Opposition to Motion to Strike Amended Affirmative Defenses, Filed Jun. 12, 2013 in *Incase Designs, Inc. v. Mophie, Inc.*, Case No. 3:2013-CV-00602 in the United States District Court for the Northern District of California.

Mophie's Reply in Support of Motion to Stay and Supporting Declaration, filed Sep. 3, 2013 in *Incase Designs, Inc. v. Mophie, Inc.*, Case No. 3:2013-CV-00602 in the United States District Court for the Northern District of California.

Incase Designs, Inc. v. Mophie, Inc., Case No. 3:2013-CV-03356 in the United States District Court for the Northern District of California, filed Jul. 18, 2013 (Docket).

Incase Designs, Corp. v. Mophie, Inc., Case No. 3:2013-CV-04314 in the United States District Court for the Northern District of California, filed Sep. 18, 2013 (Docket).

Mophie Motion 1—To Be Accorded Benefit, filed Nov. 20, 2013 in Patent Interference No. 105,946(RES).

Declaration of John Feland, Ph.D, In Support of Mophie Motion 1 To Be Accorded Benefit, dated Nov. 20, 2013, in Patent Interference No. 105,946(RES).

Mophie Motion 2—For Judgment that Incase's Involved Claims Are Unpatentable, filed Nov. 20, 2013 in Patent Interference No. 105,946(RES).

Declaration of John Feland, Ph.D, In Support of Mophie Motion 2 For Judgment That Incase's Involved Claims Are Unpatentable, dated Nov. 20, 2013, in Patent Interference No. 105,946(RES).

Incase Motion 1—Motion for Benefit, filed Nov. 20, 2013 in Patent Interference No. 105,946(RES).

Incase Motion 2—Motion To Undesignate Claims, filed Nov. 20, 2013 in Patent Interference No. 105,946(RES).

Incase Motion 3—Motion For Judgment Based on Lack of Written Description, filed Nov. 20, 2013 in Patent Interference No. 105,946(RES).

Incase Motion 4—Motion For Unpatentability of Mophie Claims, filed Nov. 20, 2013 in Patent Interference No. 105,946(RES).

Declaration of Andrew Wolfe, filed Nov. 20, 2013 in Patent Interference No. 105,946(RES).

(56)

References Cited

OTHER PUBLICATIONS

Declaration of Thomas Overthun, filed Nov. 20, 2013 in Patent Interference No. 105,946(RES).

Declaration of Gabriel Dan, filed Nov. 20, 2013 in Patent Interference No. 105,946(RES).

Mophie's Third Amended Complaint, filed Jun. 27, 2014, in *Mophie, Inc. v. Source Vista*, Case No. 8:13-CV-01321 in the United States District Court for the Central District of California.

Mophie's First Amended Complaint, filed Jun. 25, 2014, in *Mophie, Inc. v. UNU Electronics Inc.*, Case No. 8:13-CV-01705 in the United States District Court for the Central District of California.

UNU's Answer and Counterclaims, filed Jul. 10, 2014, in *Mophie, Inc. v. UNU Electronics Inc.*, Case No. 8:13-CV-01705 in the United States District Court for the Central District of California.

U.S. Appl. No. 14/187,046, filed Feb. 21, 2012, To et al.

U.S. Appl. No. 14/205,024, filed Mar. 11, 2014, Huang et al.

U.S. Appl. No. 14/205,167, filed Mar. 11, 2014, Huang et al.

U.S. Appl. No. 29/427,724, filed Jul. 20, 2012, Brand et al.

U.S. Appl. No. 29/382,515, filed Jan. 4, 2011, Gallouzi et al.

U.S. Appl. No. 29/423,032, filed May 25, 2012, Hashbrook et al.

U.S. Appl. No. 29/406,346, filed Nov. 11, 2011, Brand.

U.S. Appl. No. 29/423,026, filed May 25, 2012, Hashbrook et al.

U.S. Appl. No. 29/464,620, filed Aug. 19, 2013, Tsai.

U.S. Appl. No. 29/438,697, filed Nov. 30, 2012, Namminga et al.

U.S. Appl. No. 29/451,703, filed Apr. 6, 2013, Tsai et al.

U.S. Appl. No. 29/435,908, filed Oct. 30, 2012, To et al.

U.S. Appl. No. 29/435,907, filed Oct. 30, 2012, To et al.

U.S. Appl. No. 29/438,877, filed Dec. 4, 2012, To et al.

U.S. Appl. No. 29/440,062, filed Dec. 18, 2012, To et al.

U.S. Appl. No. 29/478,391, filed Jan. 3, 2014, Namminga et al.

U.S. Appl. No. 29/478,390, filed Jan. 3, 2014, Dang et al.

U.S. Appl. No. 29/478,383, filed Jan. 3, 2014, Dang et al.

U.S. Appl. No. 29/478,388, filed Jan. 3, 2014, Kim et al.

U.S. Appl. No. 14/020,710, filed Sep. 6, 2013, Diebel et al.

International Search Report and Written Opinion of the International Searching Authority for PCT/US2011/037244, dated Jul. 19, 2011.

International Preliminary Report on Patentability for PCT/US2011/037244, dated Nov. 29, 2012.

International Search Report and Written Opinion of the International Searching Authority for PCT/US2011/037249, dated Jul. 13, 2011.

International Preliminary Report on Patentability for PCT/US2011/037249, dated Nov. 29, 2012.

International Search Report and Written Opinion of the International Searching Authority for PCT/US2011/037254, dated Jul. 13, 2011.

International Preliminary Report on Patentability for PCT/US2011/037254, dated Nov. 29, 2012.

International Search Report and Written Opinion of the International Searching Authority for PCT/US2011/037257, dated Sep. 22, 2011.

International Preliminary Report on Patentability for PCT/US2011/037257, dated Nov. 29, 2012.

International Search Report and Written Opinion of the International Searching Authority for PCT/US2012/041768, dated Feb. 27, 2013.

International Preliminary Report on Patentability for PCT/US2012/041768, dated Dec. 27, 2013.

International Search Report and Written Opinion of the International Searching Authority for PCT/US2013/057276, dated Dec. 10, 2013.

Mophie Pulse for iPod Touch 4G, http://www.mophie.com/pulse-iPod-Touch-4th-Gen-vibrating-gaming-case-p/2015_PUL-T4-GRY.htm.

"Sandberg BatteryCase for iPhone 4/4S delivers more band for your buck," dated Mar. 15, 2012, <http://www.gizmag.com/sanberg-battery-case-iphone/21839>.

Shawn Brown, "Incase Power Slider battery doubles as a case," dated Nov. 19, 2008, <http://www.iphonebuzz.com/incase-power-slider-battery-doubles-as-a-case-195224.php>.

Nick Guy, "Incipio offGRID Battery Case for iPhone 5/5s," dated Oct. 9, 2013, <http://www.ilounge.com/index.php/reviews/entry/incipio-offgrid-battery-case-for-iphone-5-5s/>.

Jeremy Horwitz, "Mophie Juice Pack Plus for iPhone 5," dated May 21, 2013, <http://www.ilounge.com/index.php/reviews/entry/mophie-juice-pack-plus-for-iphone-5/>.

Nick Guy, "RND Power Solutions Sync & Charge Dock with Lightning Connector," dated Nov. 18, 2013, <http://www.ilounge.com/index.php/reviews/entry/tylt-energi-sl>.

Jeremy Horwitz, "Kensington Mini Battery Pack and Charger for iPhone and iPod," dated May 16, 2008, <http://www.ilounge.com/index.php/reviews/entry/kensington-mini-battery-pack-and-charger-for-iphone-and-ipod/>.

Kensington Mini Battery Pack and Charger for iPhone and iPod, dated Sep. 30, 2008, 1 Page.

Sven Rafferty, "Mybat External Battery for iPhone and iPod," dated May 18, 2008, <http://svenontech.com/reviews/?p=74>.

Dave Rees, "Richard Solo Backup Battery for iPhone / iPod Review," dated Jun. 16, 2008, http://the-gadgeteer.com/2008/06/16/richard_solo_backup_battery_for_iphone_ipod/.

Devin Coldewey, "Combination iPhone battery pack and flash from FastMac," dated Nov. 4, 2008, <http://crunchgear.com/2008/11/04/combination-iphone-battery-pack-and-flash-from-fastmac/>.

"Cheap DIY iPhone External Battery," dated Jul. 22, 2008, <http://fastdad.wordpress.com/2008/07/22/cheap-diy-iphone-external-battery/>.

Jeremy Horwitz, "iLuv 1603 / i604 Rechargeable Lithium Polymer Batteries with Silicone Skin," dated Jun. 27, 2006, <http://www.ilounge.com/index.php/reviews/entry/iluv-i603-rechargeable-lithium-polymer-battery-with-silicone-skin/>.

Julie Strietelmeier, "Seidio INNODock Desktop Cradle for Treo 650," dated Jul. 28, 2005, http://the-gadgeteer.com/2005/07/28/seidio_innodock_desktop_cradle_for_treo_650/.

Brian Nyhuis, "Mophie Juice Pack Battery Case For Samsung Galaxy S III Review," dated Nov. 28, 2012, http://www.legitreviews.com/mophie-juice-pack-battery-case-for-samsung-galaxy-s-iii-review_2084.

"PowerSkin Samsung Galaxy S3 Case with Backup Battery," dated Aug. 19, 2012, <http://gadgetsin.com/powerskin-samsung-galaxy-s3-case-with-backup-battery.htm>.

"iPhone 4 Case with Battery Pack," dated Sep. 28, 2010, <http://gadgetsin.com/iphone-4-case-with-battery-pack.htm>.

Jonathan Pena, "iPhone 5 Cases, Round 3," dated Sep. 16, 2012, <http://www.technologytell.com/apple/103833/iphone-5-cases-round-3/>.

Jeremy Horwitz, "Mophie Juice Pack for iPhone," dated Dec. 7, 2007, <http://www.ilounge.com/index.php/reviews/entry/mophie-juice-pack-for-iphone/>.

Dr. Macenstein, "Review: Mophie Juice Pack for iPhone," dated Apr. 27, 2008, <http://macenstein.com/default/archives/1314>.

Wayne Schulz, "iPhone Extended Battery Review—Mophie Juice Pack," dated Jun. 17, 2008, <http://www.geardiary.com/2008/06/17/iphone-extended-battery-review-mophie-juice-pack/>.

Mophie Juice Pack iPhone 1G Product—Figures 1-7—Retrieved from <http://www.mophie.com/products/juice-pack> on Apr. 10, 2009.

Mophie Juice Pack iPhone 1G Product—Figure 8—Retrieved from <http://www.mophie.com/pages/information/> on Apr. 10, 2009.

Mophie Juice Pack iPhone 1G Product—Figures 9-14—Retrieved from http://www.mophie.com/blogs/Juice_Pack_FAQ on Apr. 10, 2009.

Mophie Juice Pack iPhone 1G Product—Figures 15-16—Retrieved from http://mophie.com/blogs/Juice_Pack_FAQ on Apr. 20, 2009. Figure 16 is dated May 1, 2008.

Tomas Ratas, "Mophie Juice Pack—iPhone 3G," dated Dec. 9, 2008, <http://www.testfreaks.com/blog/review/mophie-juice-pack-iphone-3g/>.

Dr. Macenstein, "Review: Mophie Juice Pack 3G for iPhone," dated Nov. 27, 2008, <http://macenstein.com/default/archives/1820>.

Ewdison Then, "Mophie Juice Pack iPhone 3G Review," dated Nov. 12, 2008, <http://www.slashgear.com/mophie-juice-pack-iphone-3g-review-1222446/>.

Mophie Juice Pack iPhone 3G Product—Figures 1-8—Retrieved from <http://www.mophie.com/products/juice-pack-iphone-3g> on Apr. 10, 2009.

(56)

References Cited

OTHER PUBLICATIONS

Mophie Juice Pack iPhone 3G Product—Figures 9-10—Retrieved from <http://www.mophie.com/pages/iphone-3g-details> on Apr. 10, 2009.

Mophie Juice Pack iPhone 3G Product—Figures 11-14—Retrieved from http://mophie.com/blogs/Juice_Pack_3G_FAQ on Apr. 10, 2009.

Mophie Juice Pack iPhone 3G Product—Figures 15-16—Retrieved from <http://mophie.com/blogs/press> on Apr. 20, 2009. Figure 15 is dated Aug. 4, 2008, and Figure 16 is dated Nov. 10, 2008.

Mophie Juice Pack iPhone 3G User Manual—Retrieved from http://static3.shopify.com/s/files/1/0008/4942/assets/mophie_juice_pack_3G_manual_rl.pdf on Apr. 10, 2009.

* cited by examiner

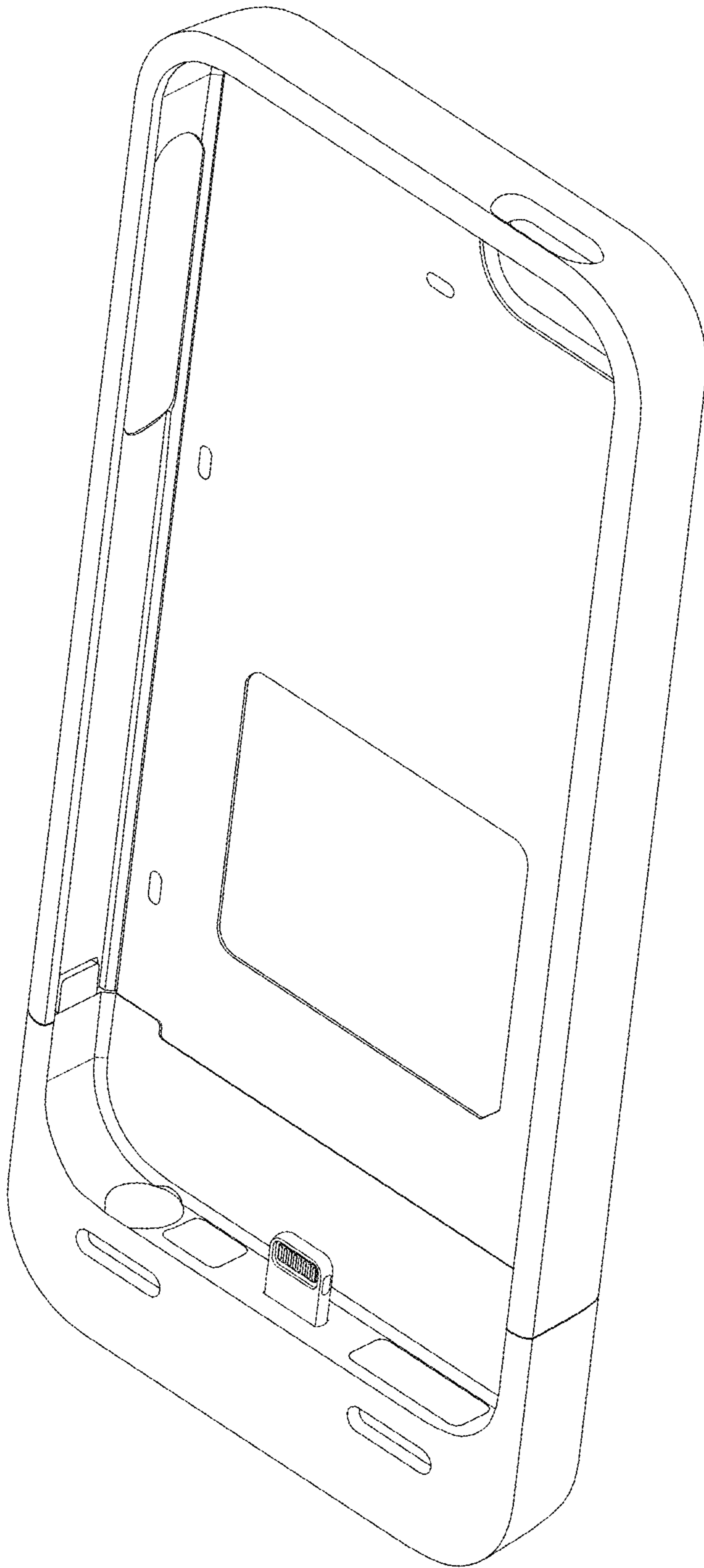


FIG. 1

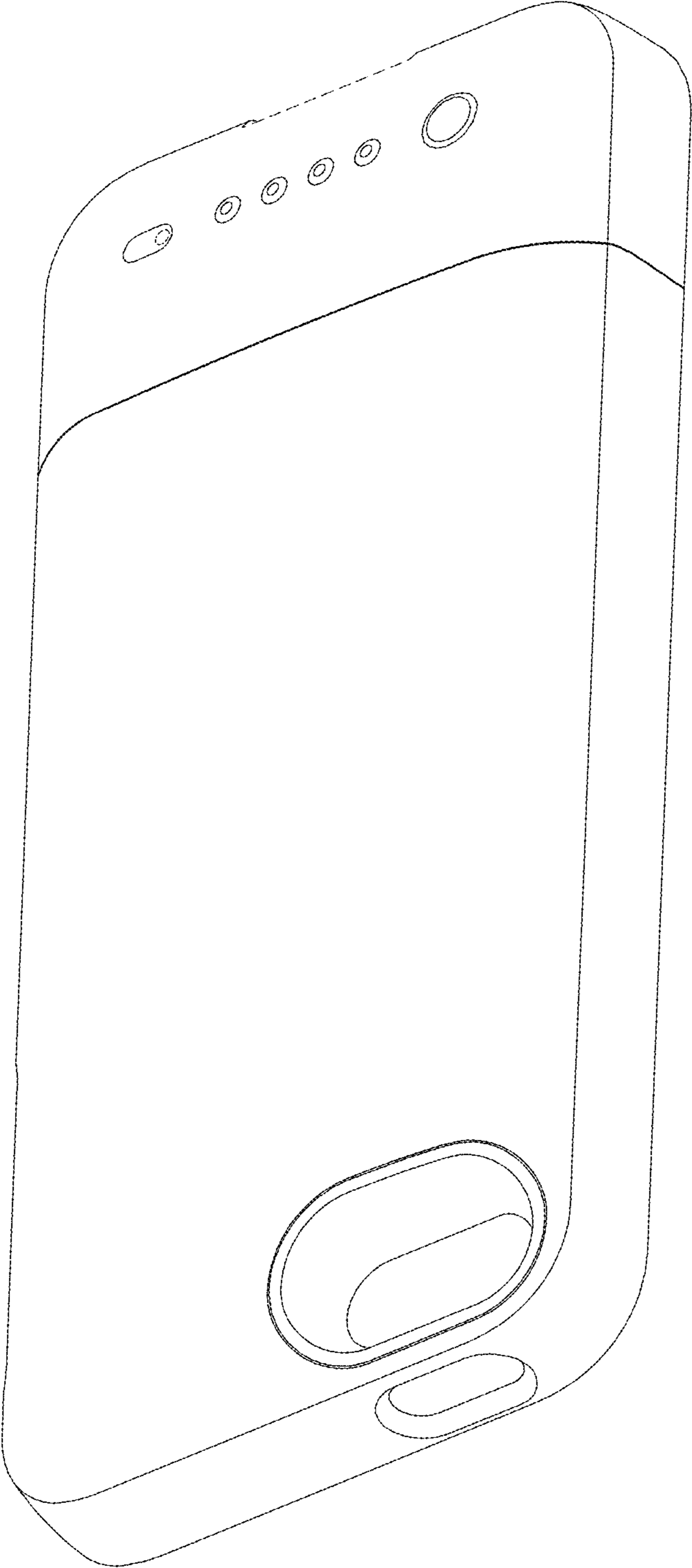


FIG. 2

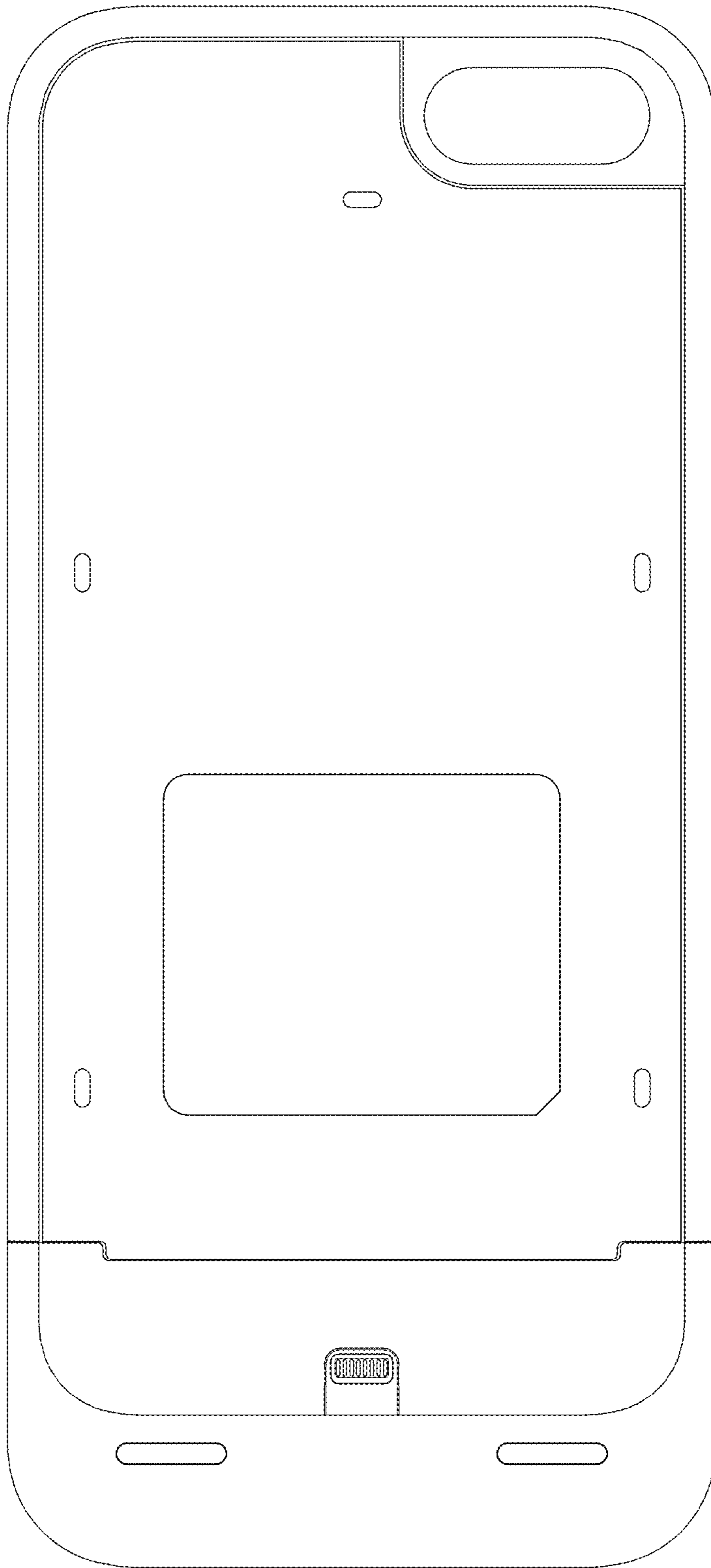


FIG. 3

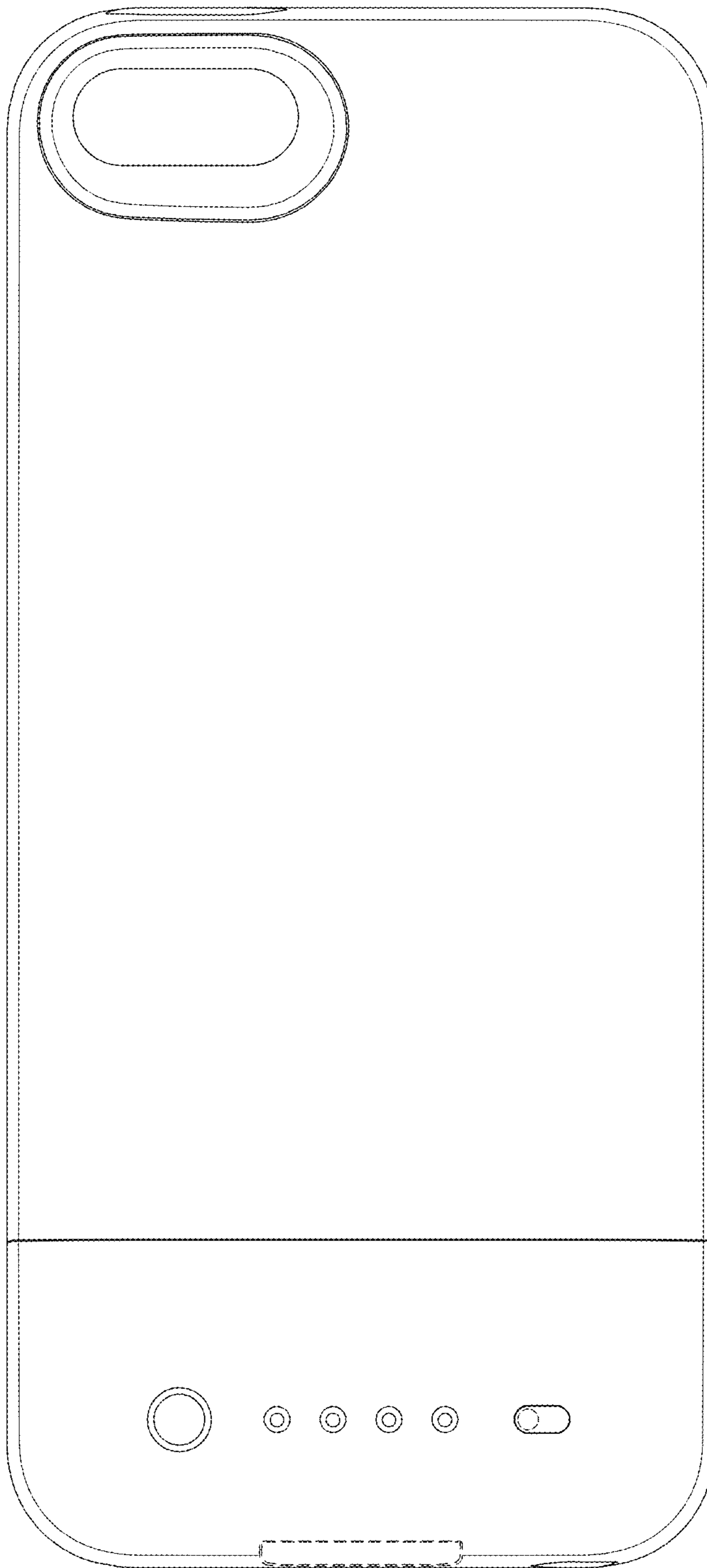


FIG. 4

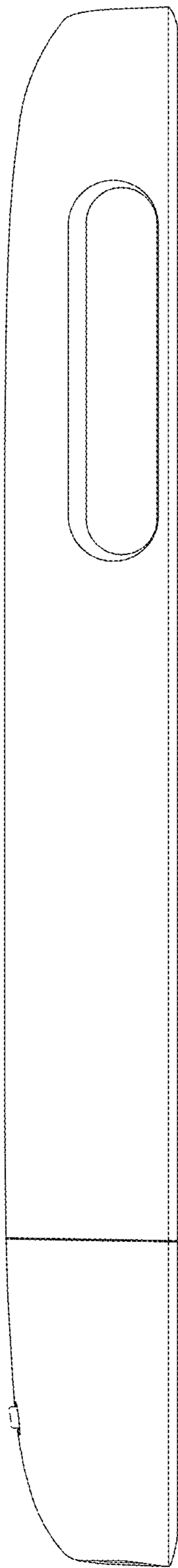


FIG. 5

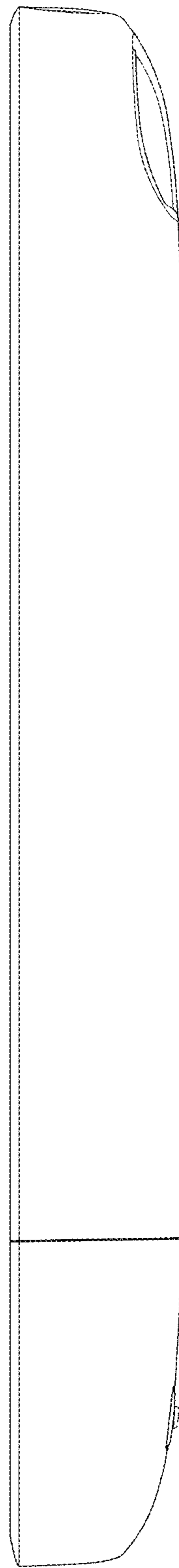


FIG. 6

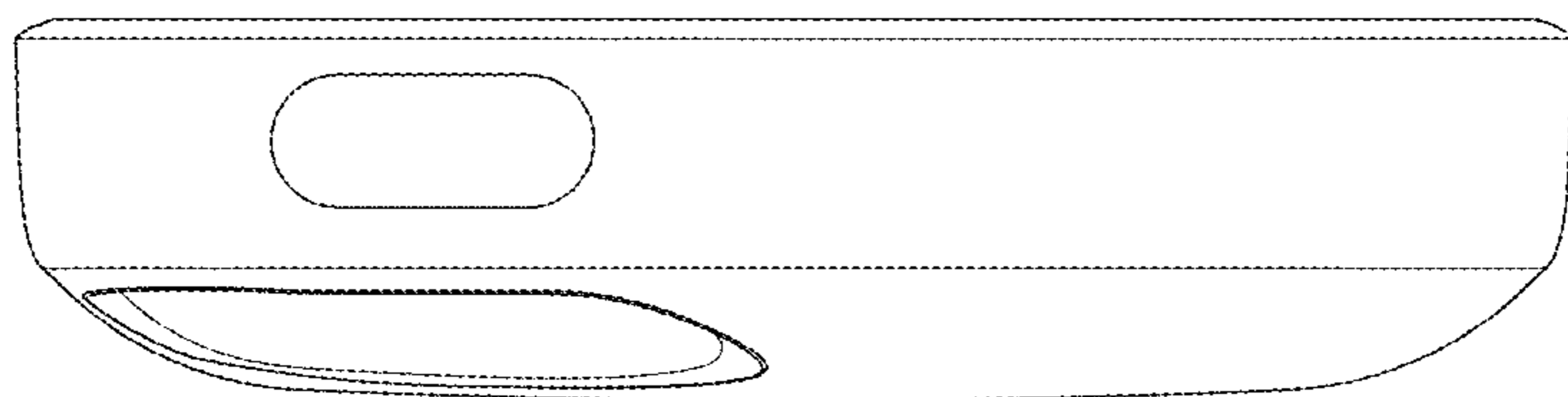


FIG. 8

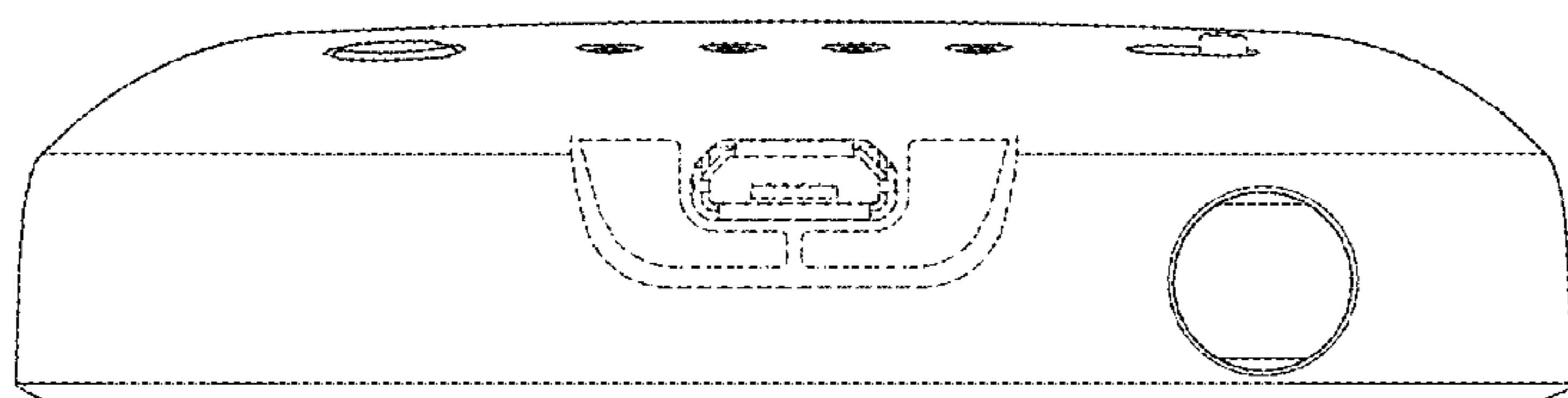


FIG. 7

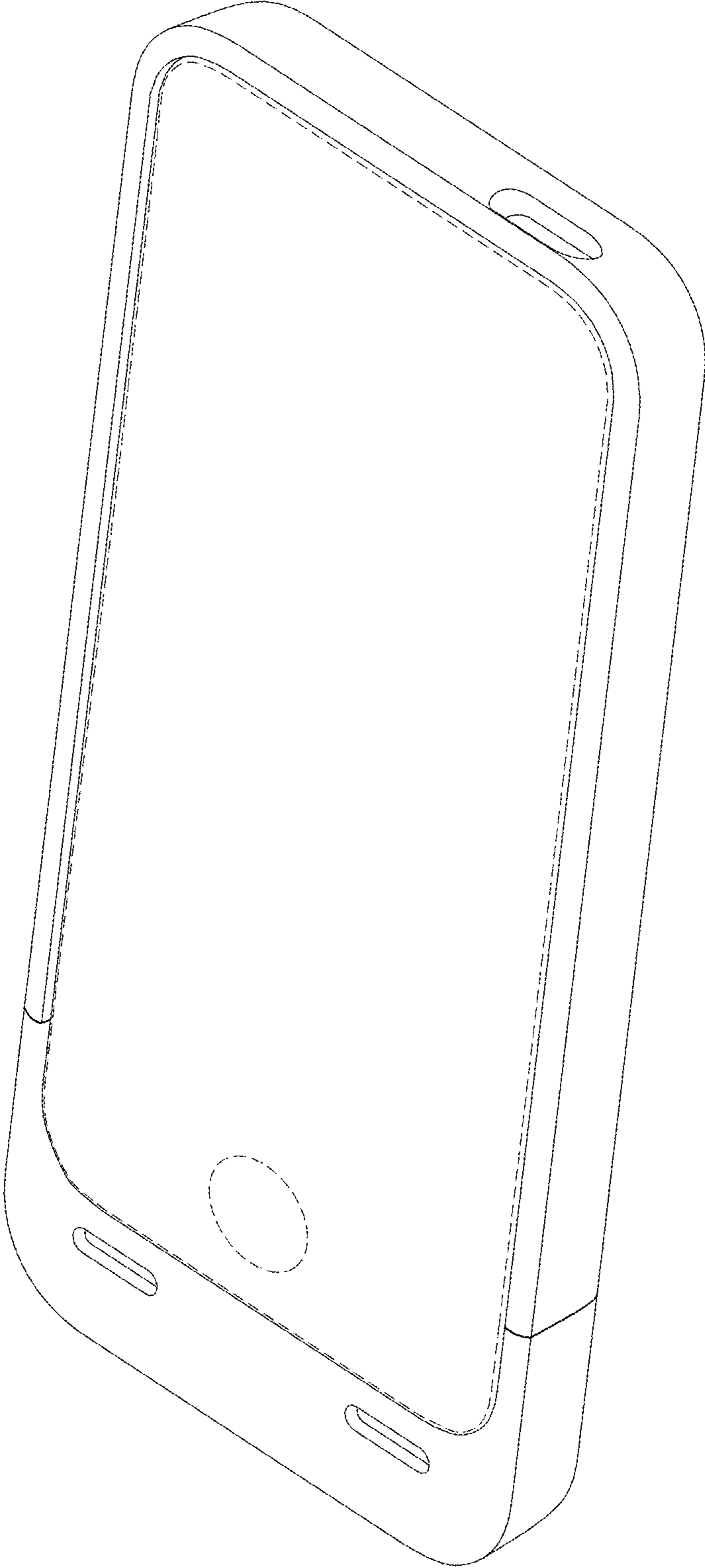


FIG. 9

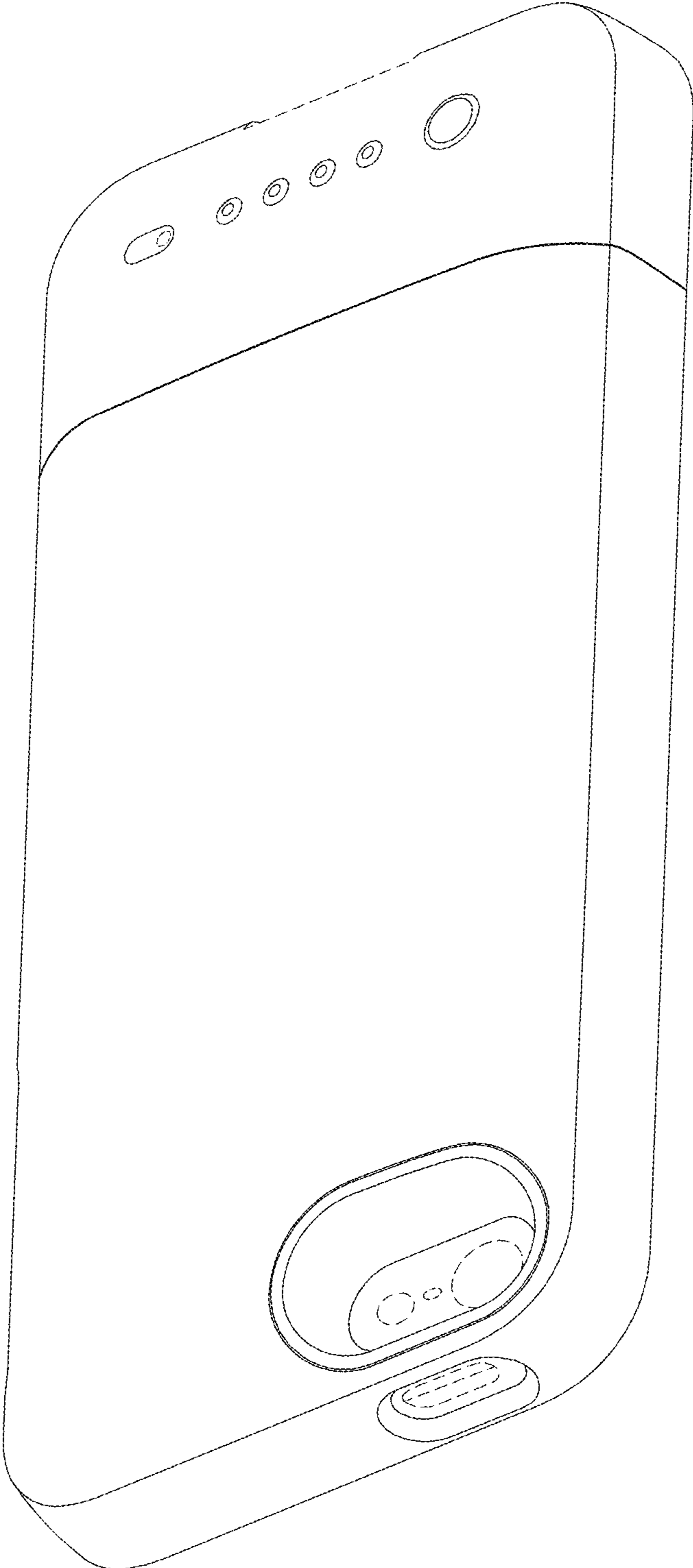


FIG. 10

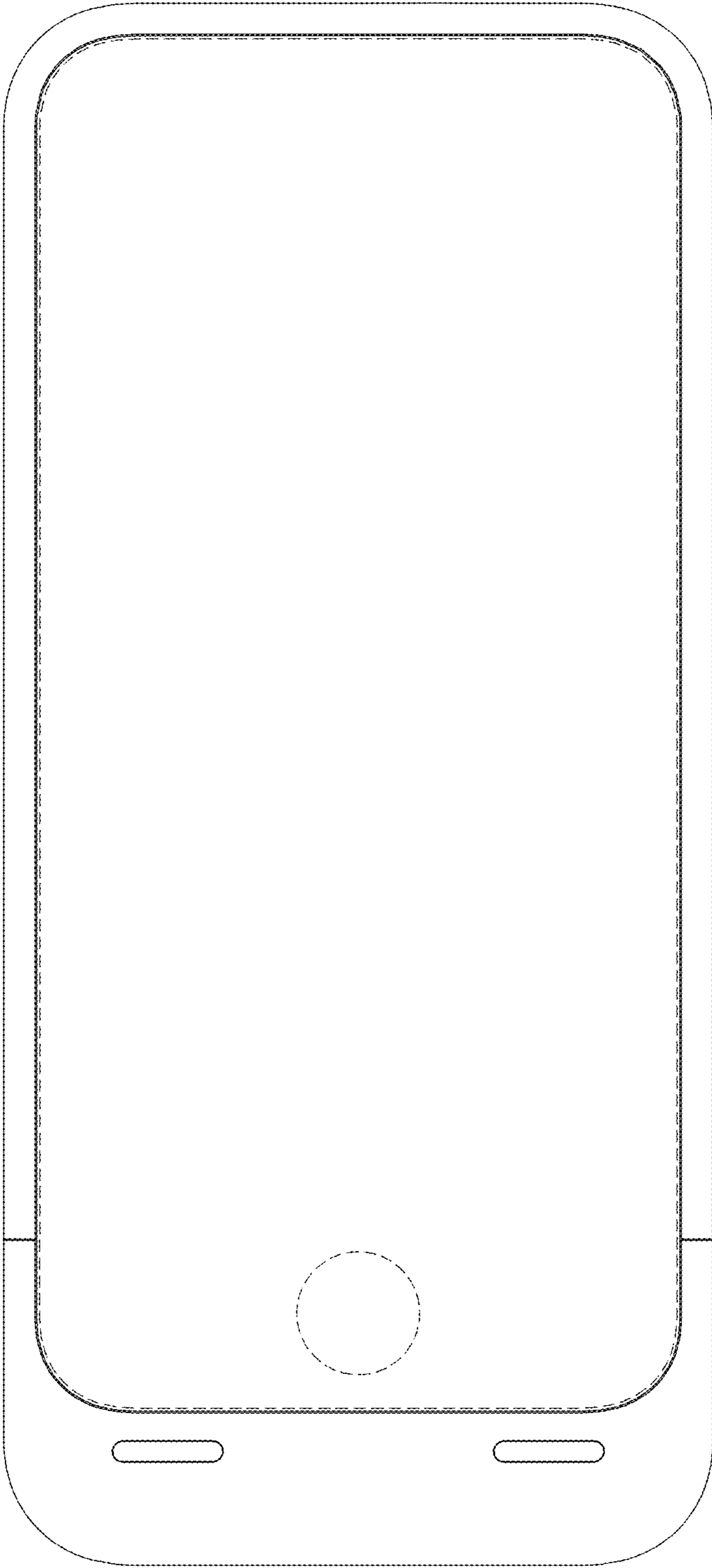


FIG. II

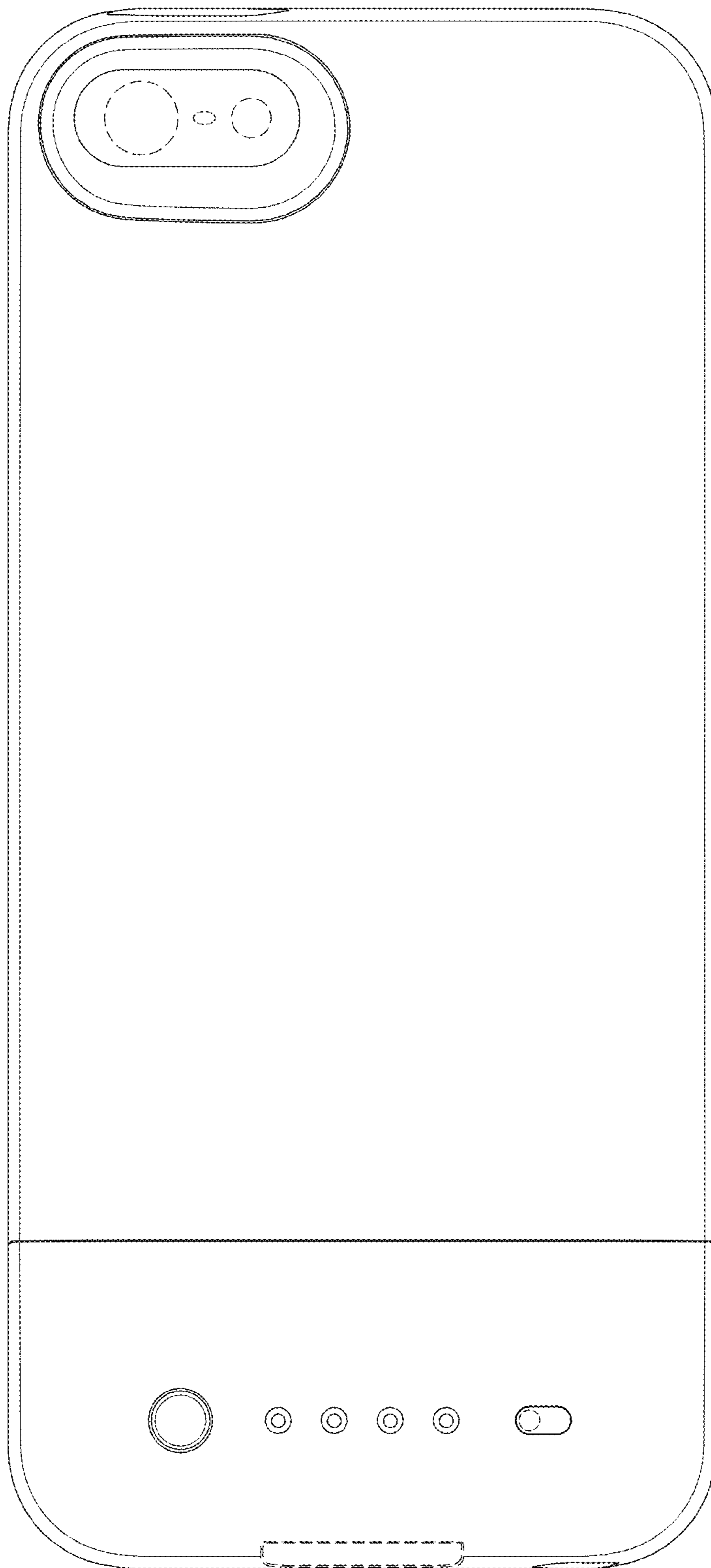


FIG. 12

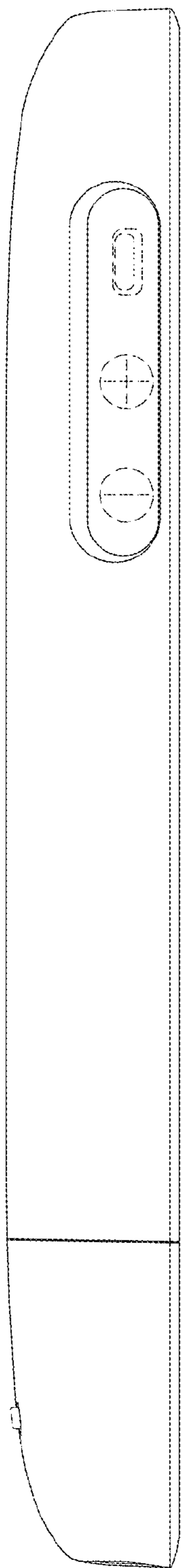


FIG. 13

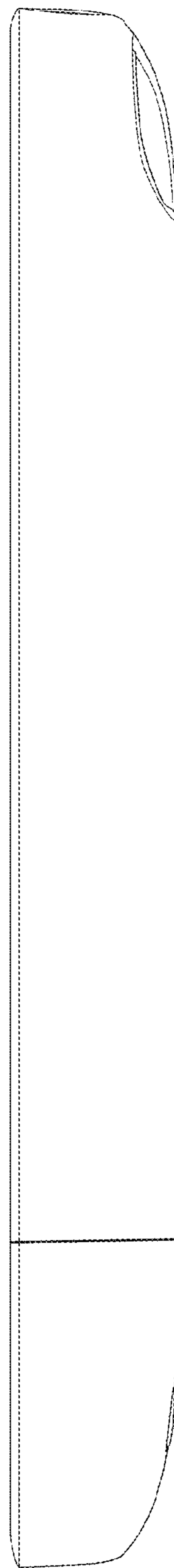


FIG. 14

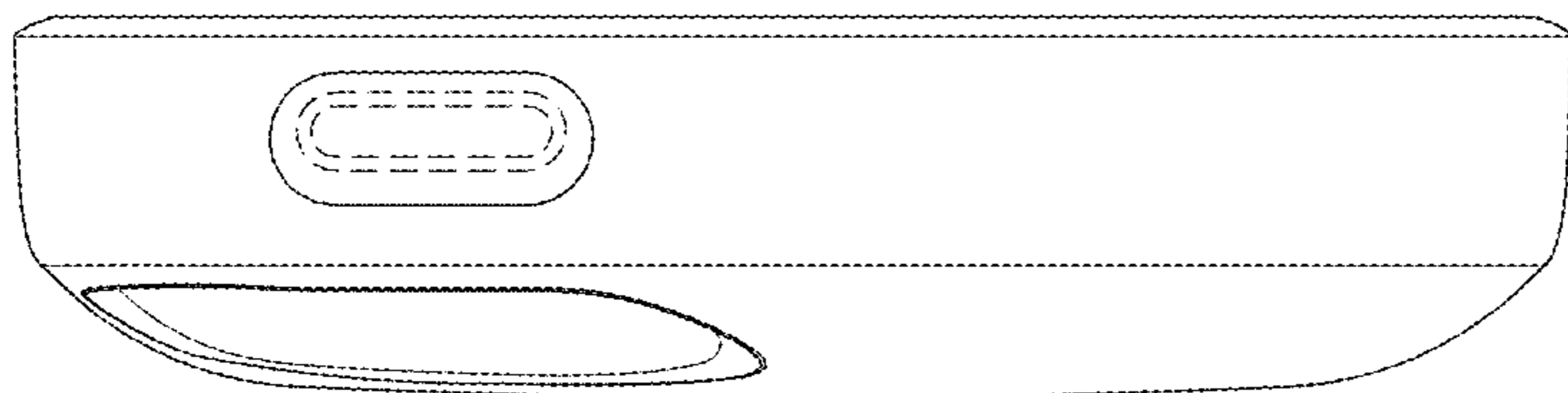


FIG. 15

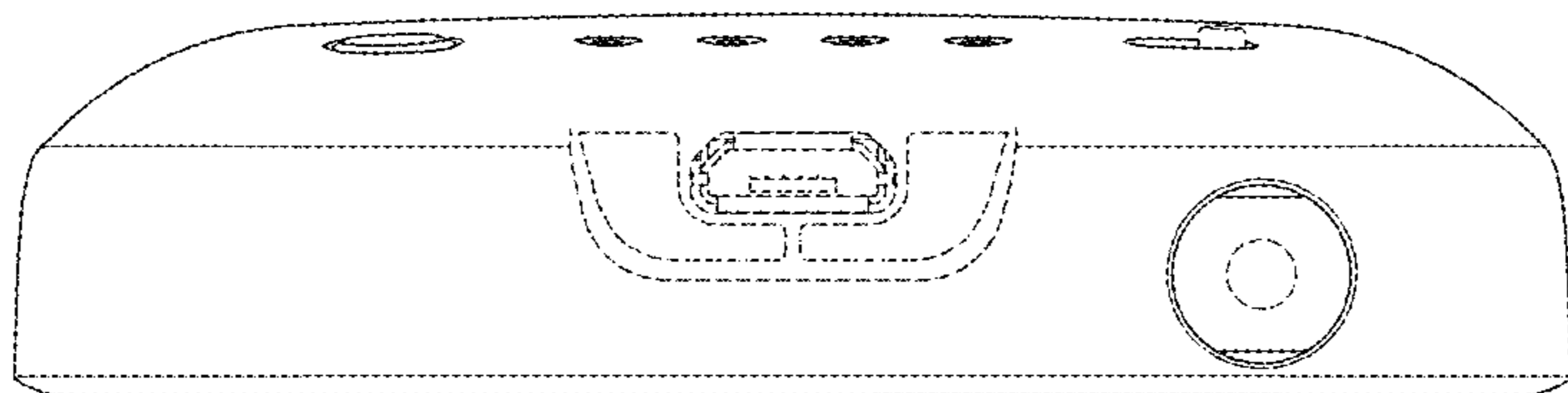


FIG. 16

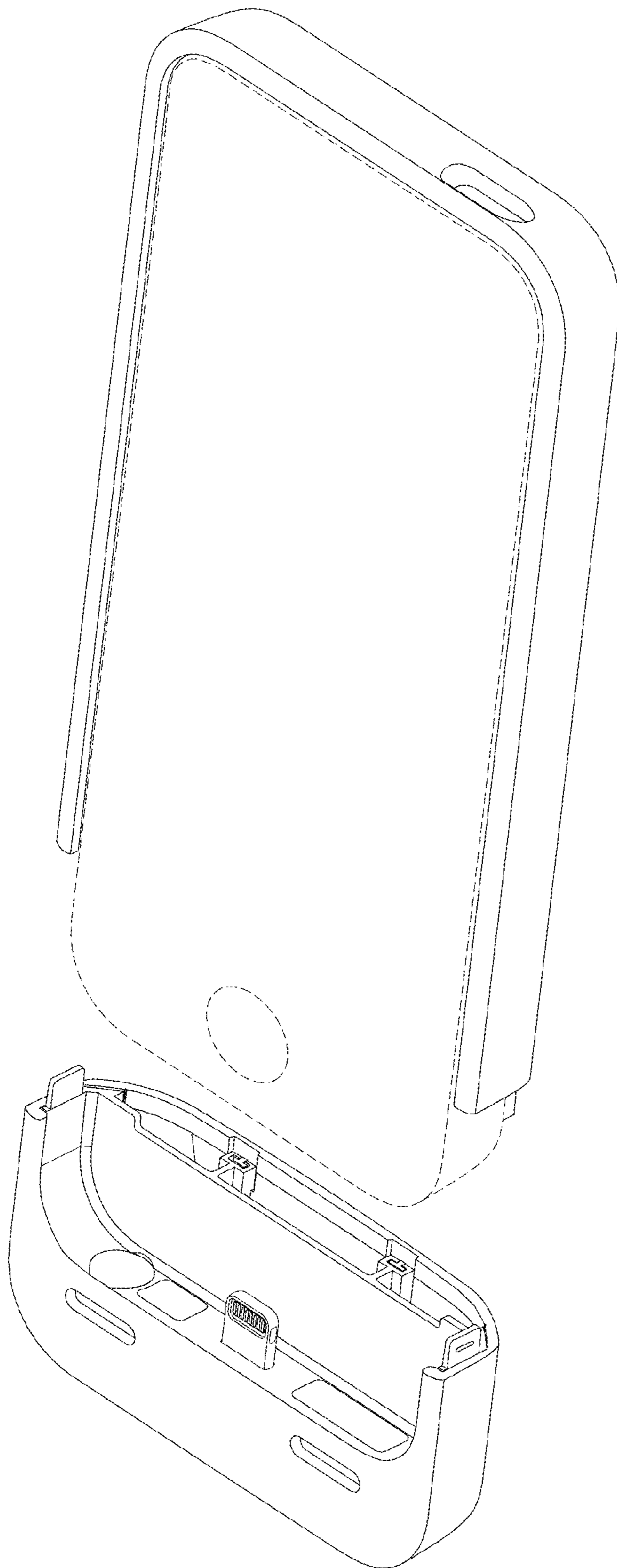


FIG. 17

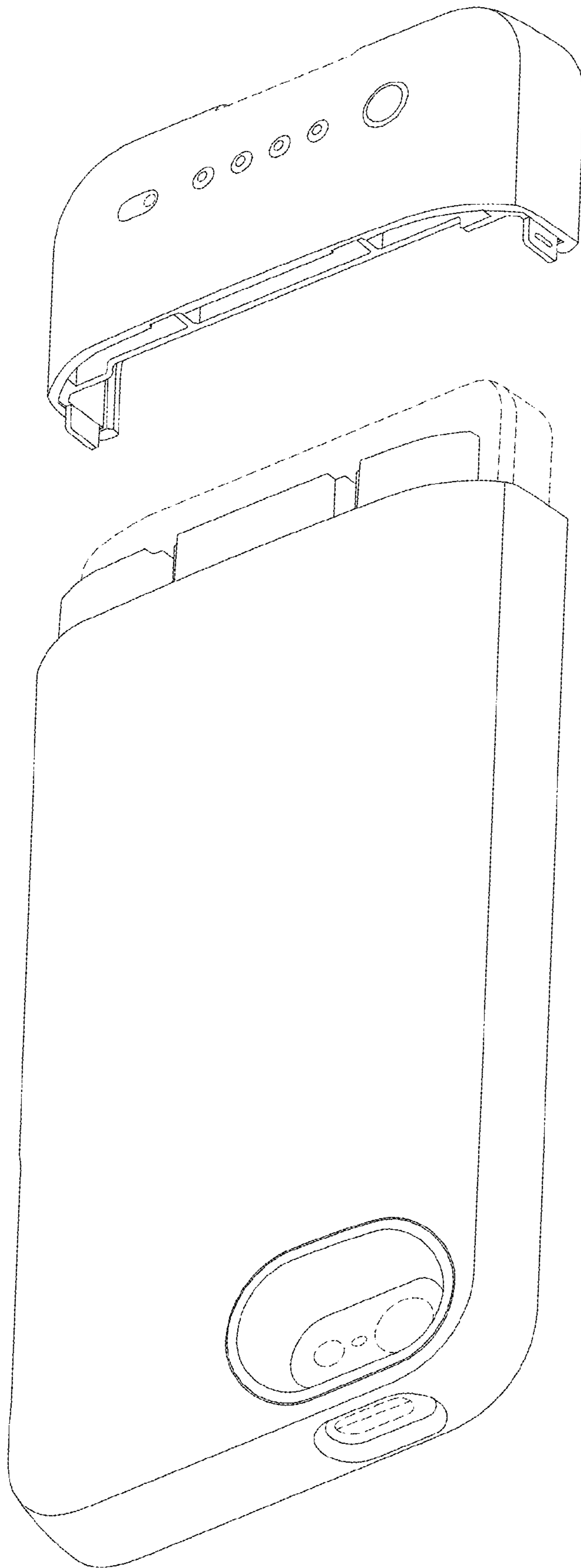


FIG. 18

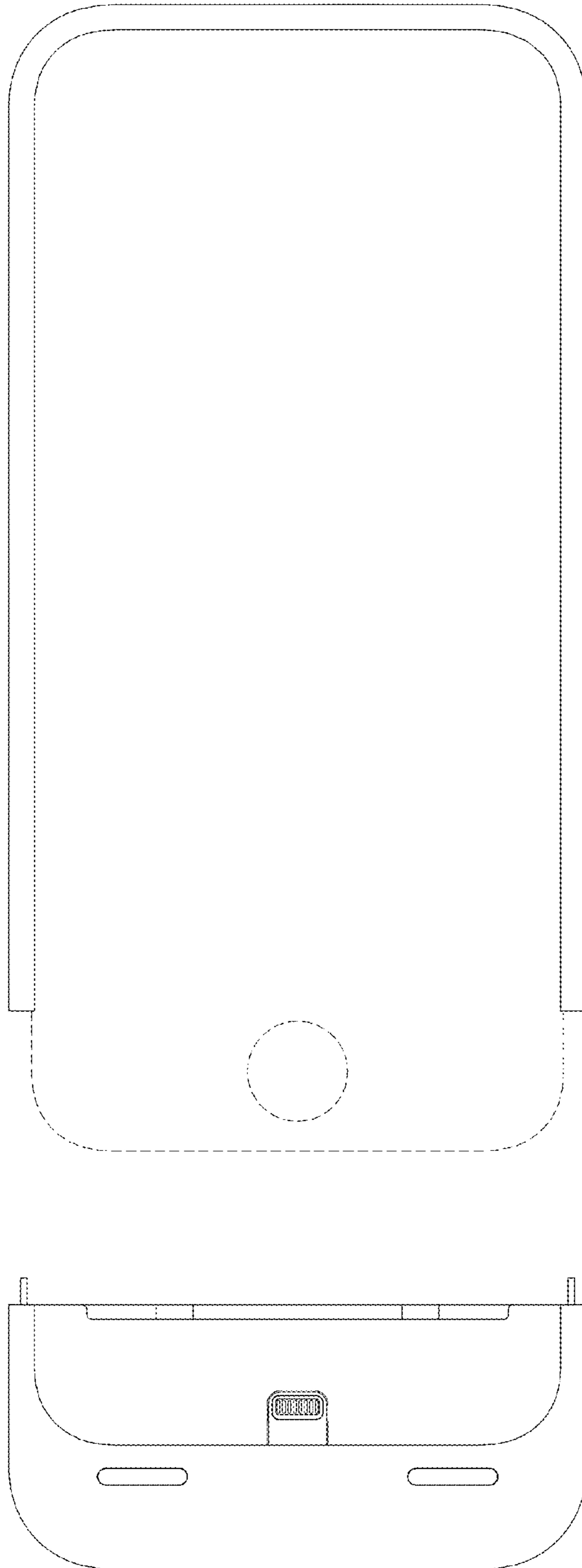


FIG. 19

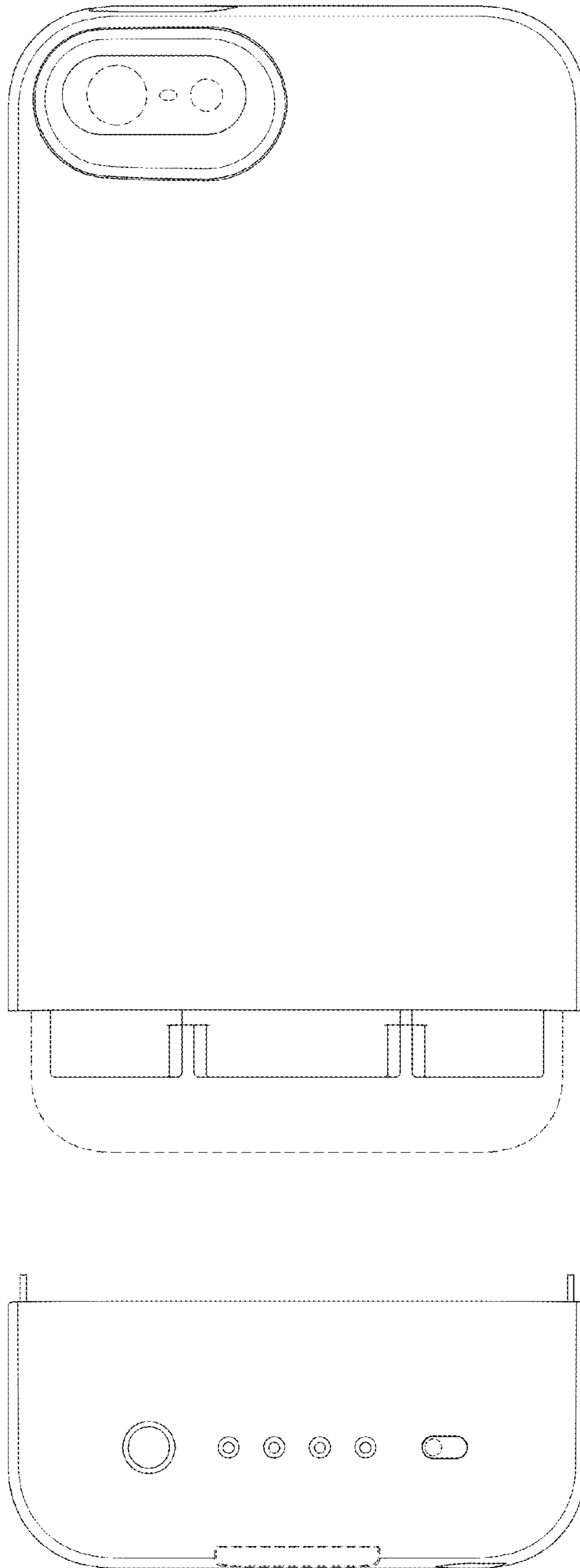


FIG. 20

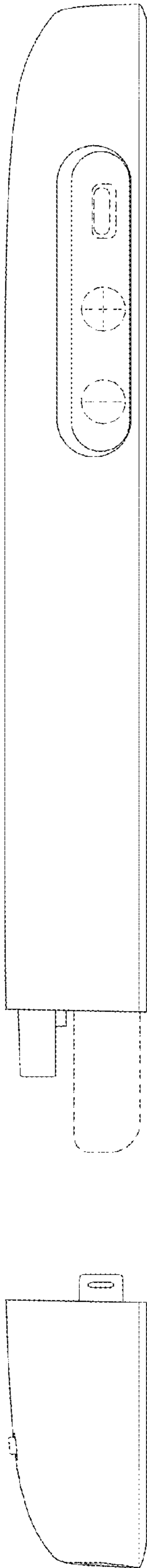


FIG. 21

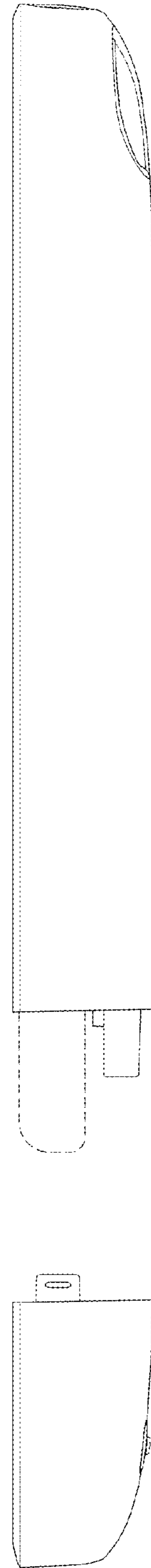


FIG. 22

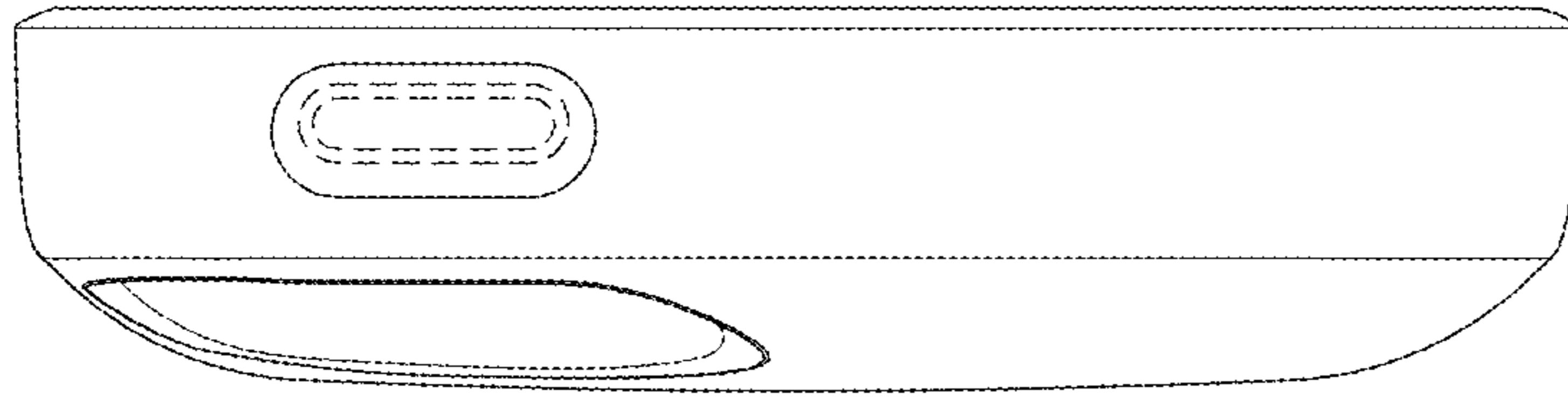


FIG. 24

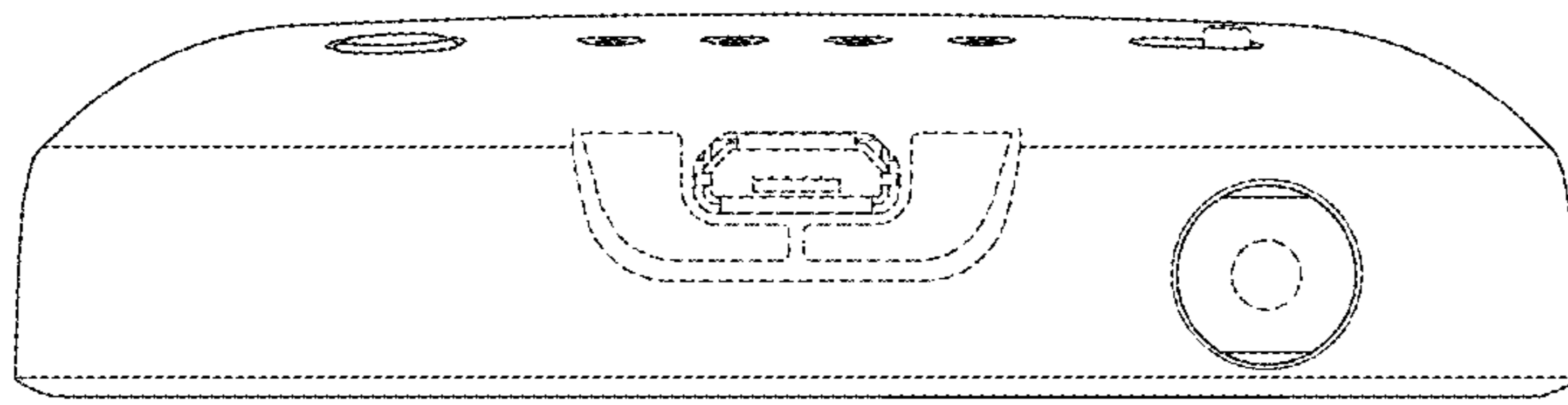


FIG. 23