



US00D723528S

(12) **United States Design Patent**
Choi et al.

(10) **Patent No.:** **US D723,528 S**
(45) **Date of Patent:** **** Mar. 3, 2015**

(54) **STAND FOR TV RECEIVER**

(56) **References Cited**

(71) Applicant: **Samsung Electronics Co., Ltd.**,
Suwon-si (KR)
(72) Inventors: **Su-An Choi**, Seoul (KR); **Sang-Young Lee**,
Gwangmyeong-si (KR); **Jae-Wook Yoo**, Seoul (KR)
(73) Assignee: **Samsung Electronics Co., Ltd.**,
Suwon-si (KR)

U.S. PATENT DOCUMENTS

D426,546	S	*	6/2000	Diee	D14/403
D559,755	S	*	1/2008	Ito et al.	D12/203
D624,063	S	*	9/2010	Kasuga et al.	D14/239
D628,830	S	*	12/2010	Mono	D6/466
D643,389	S	*	8/2011	Lee et al.	D14/126
D652,045	S	*	1/2012	Hong	D14/447
D656,913	S	*	4/2012	Ann et al.	D14/126
D659,663	S	*	5/2012	Xu et al.	D14/126
D664,940	S	*	8/2012	Kim et al.	D14/129
D671,923	S	*	12/2012	Seong et al.	D14/239
D680,106	S	*	4/2013	Hwangbo et al.	D14/239

(**) Term: **14 Years**

* cited by examiner

(21) Appl. No.: **29/493,789**

Primary Examiner — Randall Gholson

(74) *Attorney, Agent, or Firm* — NSIP Law

(22) Filed: **Jun. 13, 2014**

(57) **CLAIM**

We claim the ornamental design for a stand for TV receiver, as shown and described.

(30) **Foreign Application Priority Data**

DESCRIPTION

Jan. 2, 2014 (KR) 30-2014-0000238

(51) **LOC (10) Cl.** **14-03**

(52) **U.S. Cl.**
USPC **D14/239**

(58) **Field of Classification Search**
USPC D14/125–134, 239, 371, 136, 374–377,
D14/440, 450, 448, 336, 342, 159; 312/7.2;
348/836, 838, 180, 184, 325, 739;
248/917–924, 465; 345/104, 133, 156,
345/168, 87, 173; D21/329, 515, 577, 622,
D21/333, 433, 448, 452, 450, 331, 505;
D10/15, 26; 446/484, 175, 356;
D6/477, 479, 300

FIG. 1 is a front perspective view of a stand for TV receiver showing our new design;
FIG. 2 is a front view thereof;
FIG. 3 is a rear view thereof;
FIG. 4 is a left-side view thereof;
FIG. 5 is a right-side view thereof;
FIG. 6 is a top view thereof;
FIG. 7 is a bottom view thereof; and,
FIG. 8 is another front perspective view, in which a TV receiver in broken lines is provided to illustrate an example environment.

The broken lines shown in the drawings show unclaimed subject matter only and form no part of the claimed design
The dot dash lines in the figures represent an unclaimed boundary line and form no part of the claimed design.

See application file for complete search history.

1 Claim, 8 Drawing Sheets

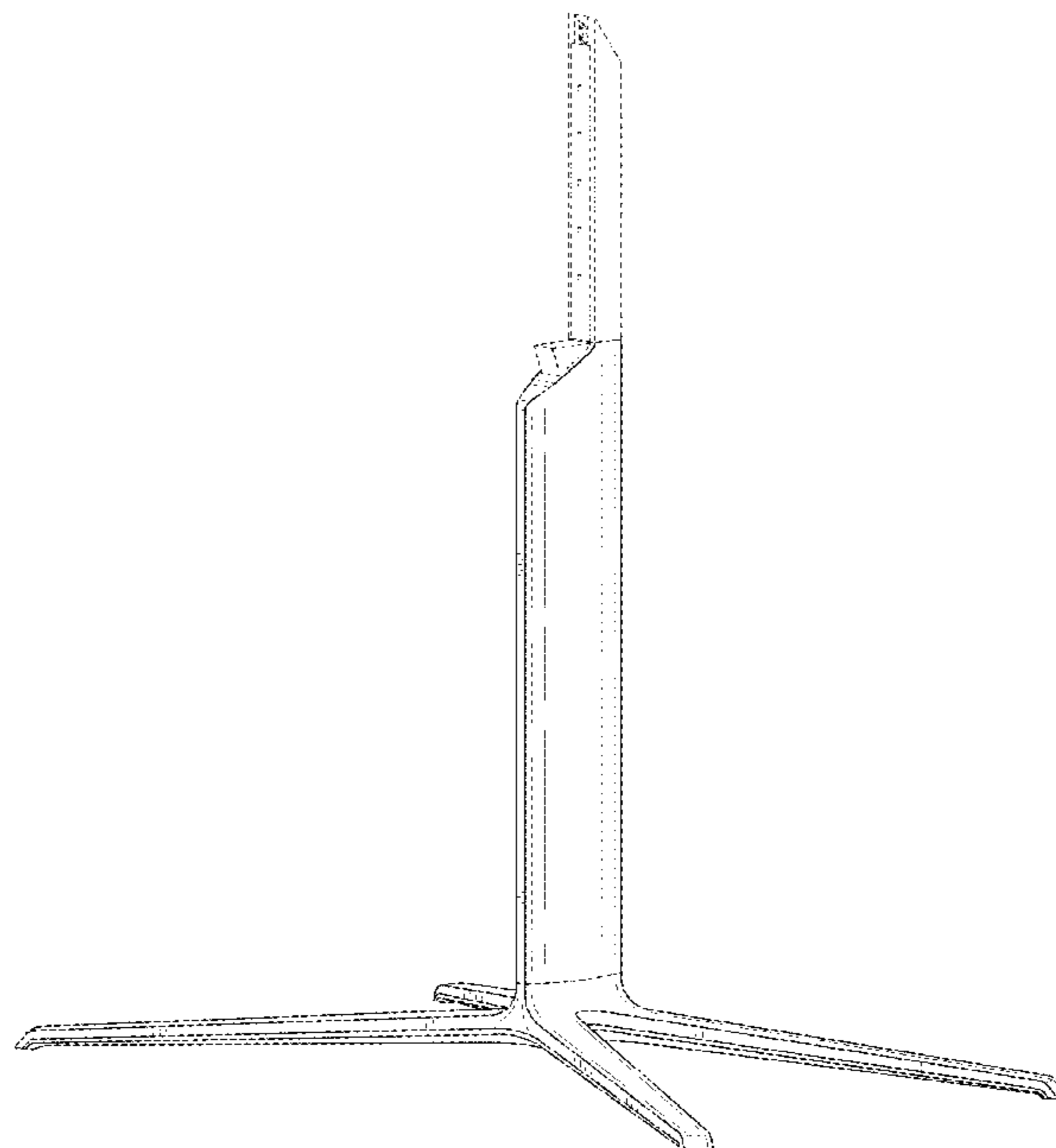


FIG. 1

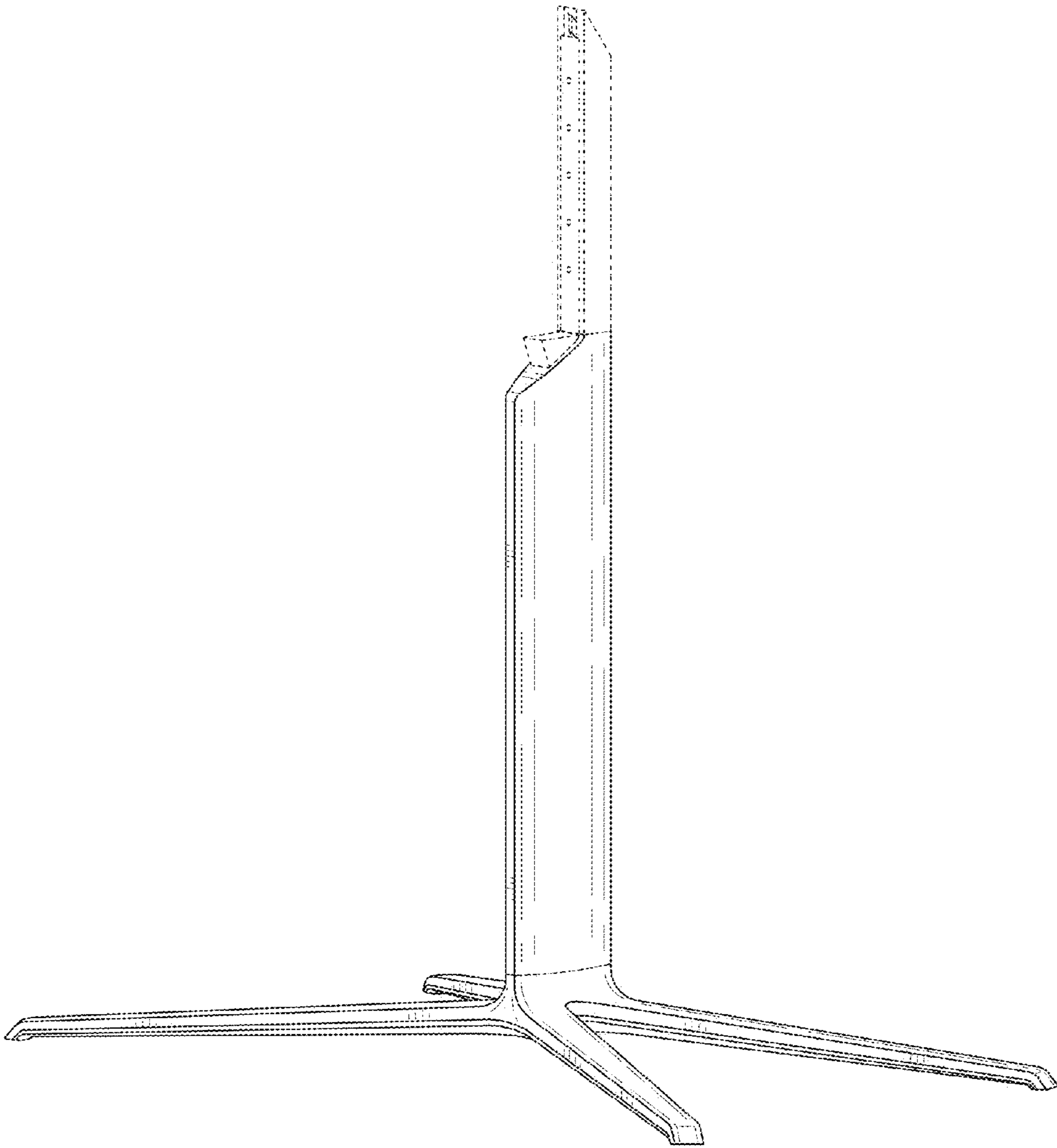


FIG. 2

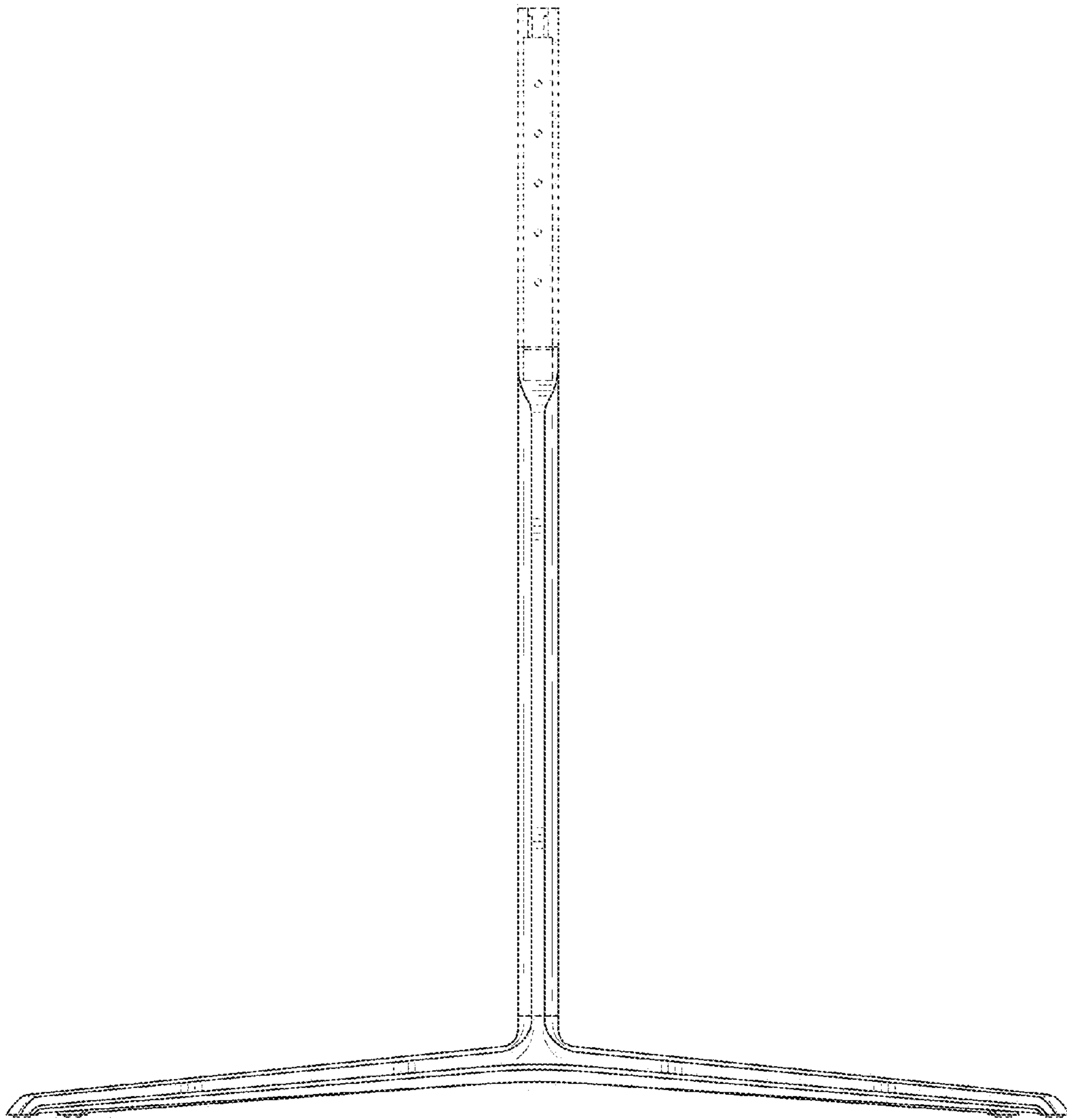


FIG. 3

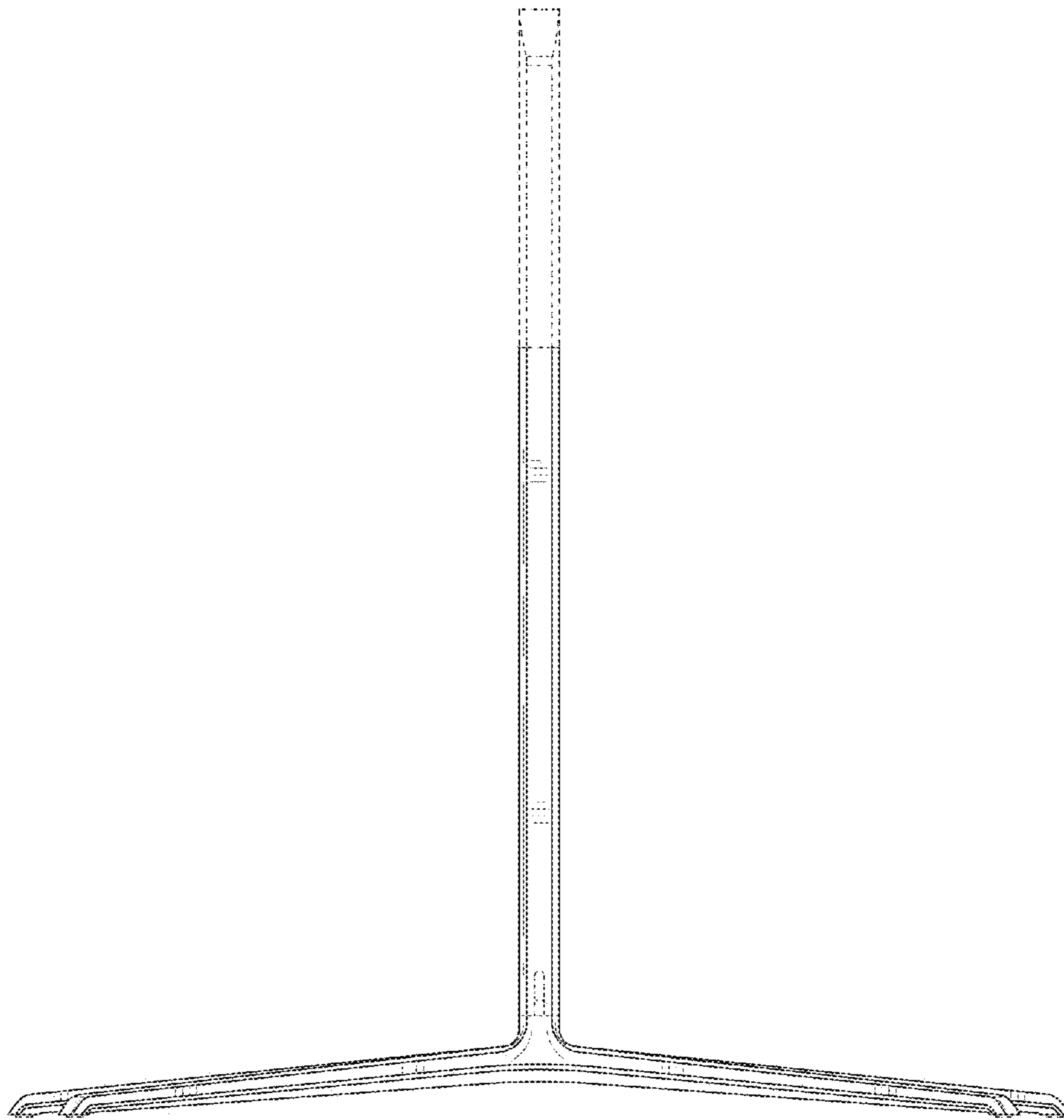


FIG. 4

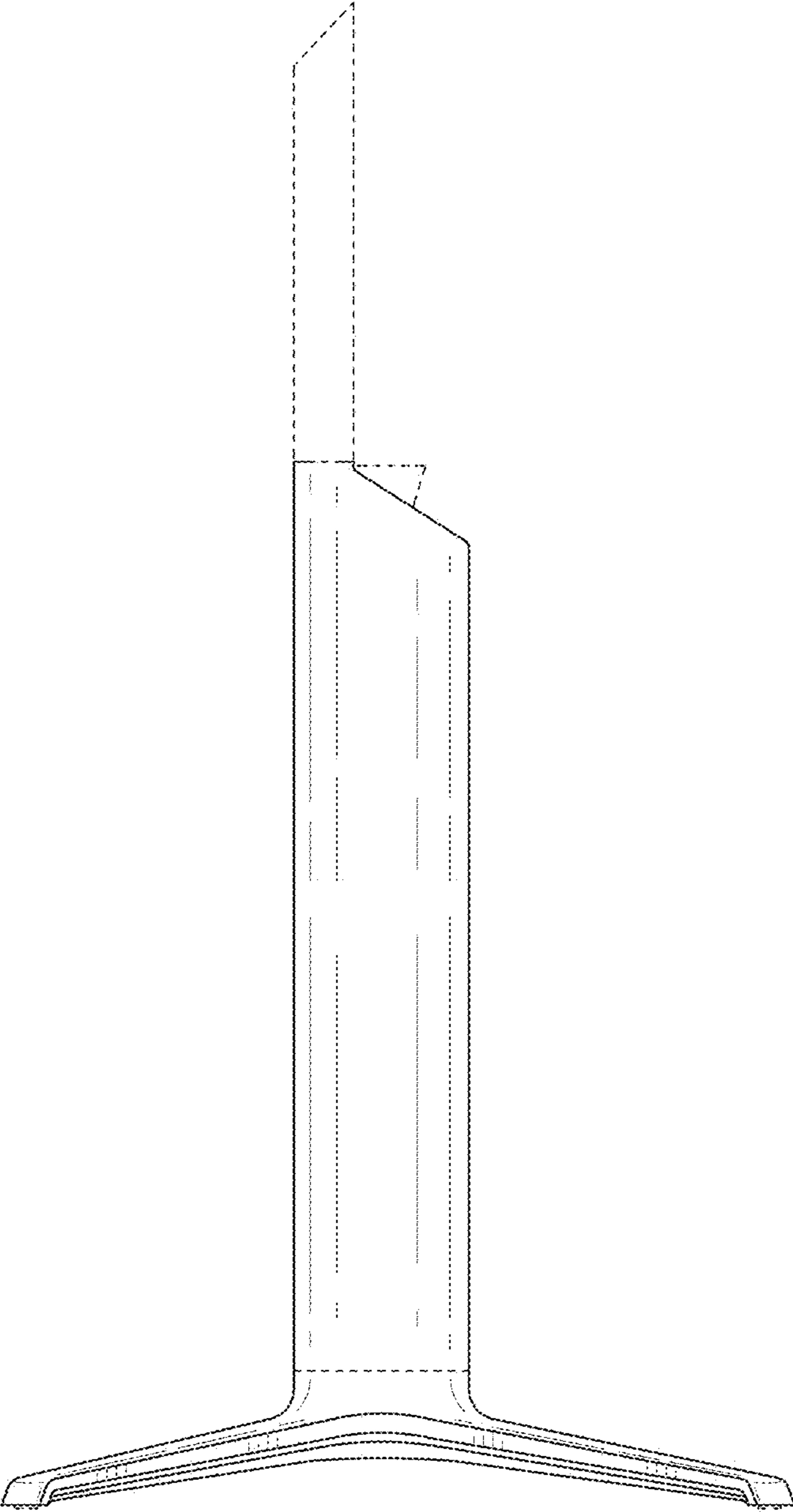


FIG. 5

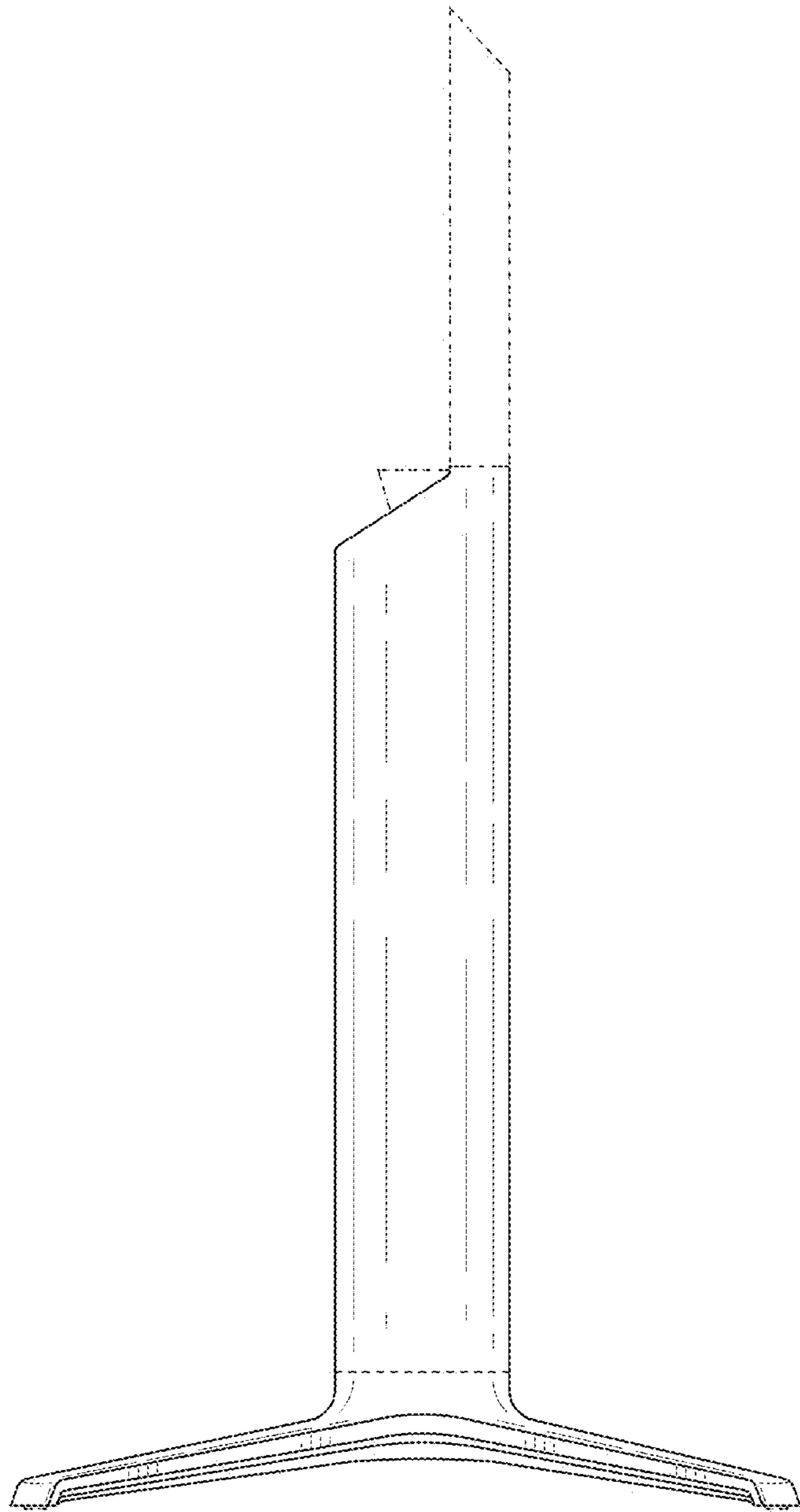


FIG. 6

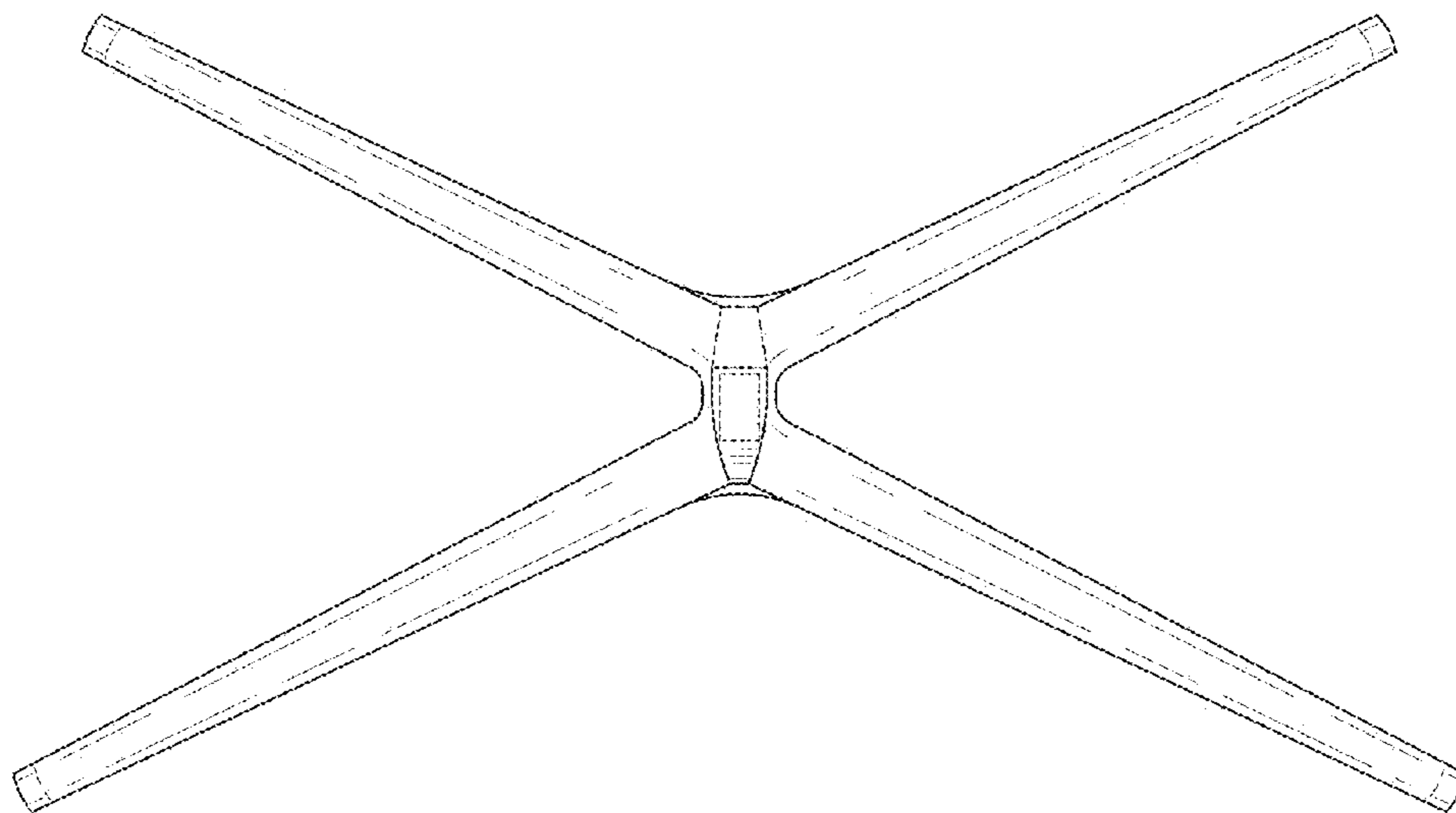


FIG. 7

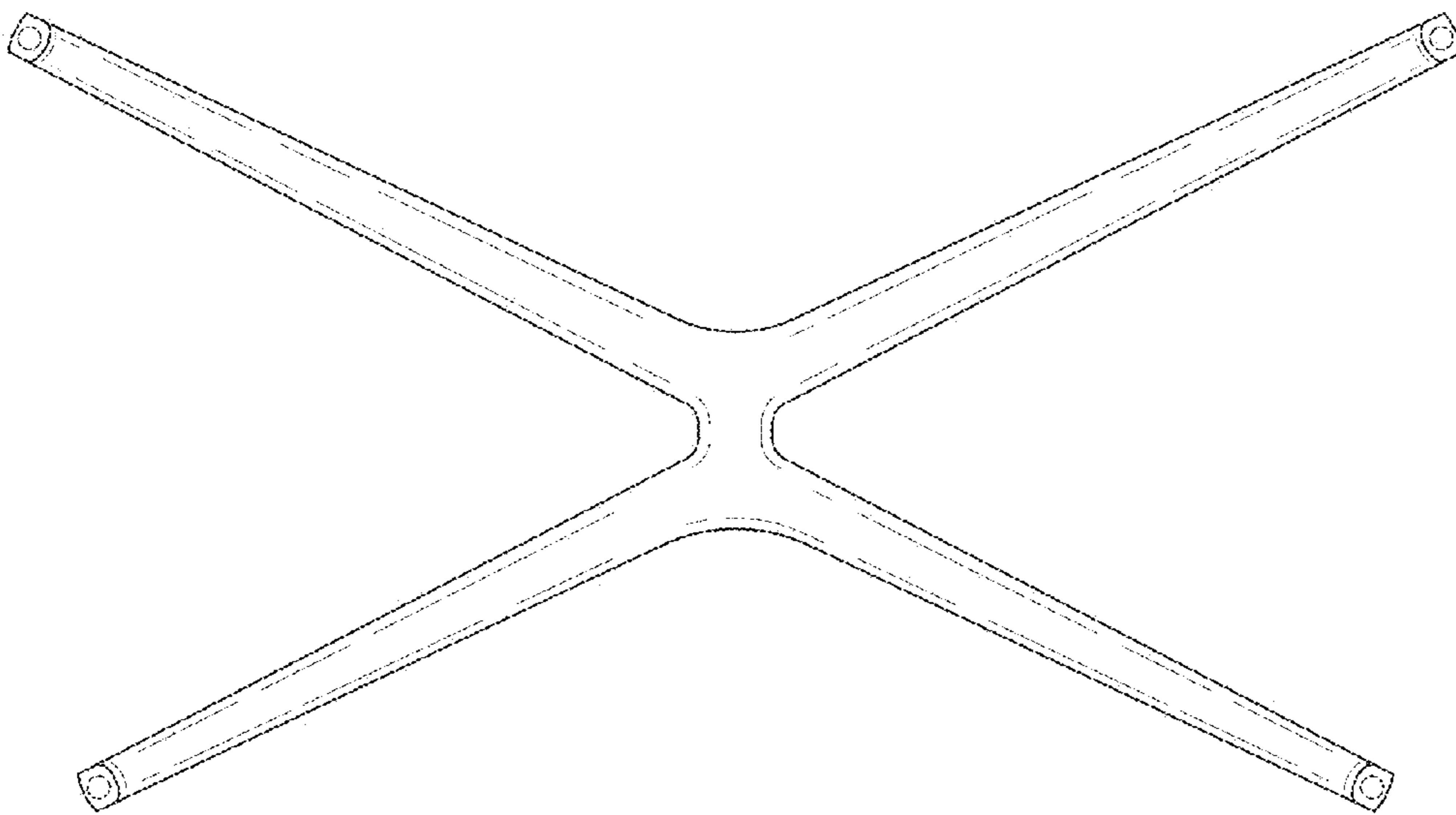


FIG. 8

