



US00D723526S

(12) **United States Design Patent**
Yoo et al.

(10) **Patent No.:** **US D723,526 S**
(45) **Date of Patent:** **** Mar. 3, 2015**

(54) **STAND FOR TELEVISION RECEIVER**

(71) Applicant: **Samsung Electronics Co., Ltd.**,
Suwon-si, Gyeonggi-do (KR)

(72) Inventors: **Jae Wook Yoo**, Seoul (KR); **Min Joon Jung**, Seoul (KR); **Donghee Won**, Seoul (KR); **Chul Yong Cho**, Seoul (KR)

(73) Assignee: **Samsung Electronics Co., Ltd.** (KR)

(**) Term: **14 Years**

(21) Appl. No.: **29/493,359**

(22) Filed: **Jun. 9, 2014**

(30) **Foreign Application Priority Data**

Dec. 30, 2013 (KR) 30-2013-0066101

(51) **LOC (10) Cl.** **14-03**

(52) **U.S. Cl.**
USPC **D14/239**

(58) **Field of Classification Search**
USPC D14/125-129, 239, 371-375, 336, 337;
341/12; 345/104, 156, 168, 173;
348/180, 184, 325, 739; 349/1, 2, 11,
349/62; 361/679.05-679.07, 679.21;
D6/300, 308

See application file for complete search history.

(56) **References Cited**

U.S. PATENT DOCUMENTS

D547,755 S * 7/2007 Wang et al. D14/239
D616,424 S * 5/2010 Li D14/239
D624,062 S * 9/2010 Kasuga et al. D14/239
D625,301 S * 10/2010 Kasuga et al. D14/239
D652,396 S * 1/2012 Shimizu et al. D14/126

D660,293 S * 5/2012 Itou et al. D14/239
D661,672 S * 6/2012 Kim D14/126
D679,268 S * 4/2013 Won et al. D14/239
D683,709 S * 6/2013 Choi D14/126
D689,454 S * 9/2013 Shih D14/126
D691,976 S * 10/2013 Hotta et al. D14/126
D694,209 S * 11/2013 Cho et al. D14/126
D699,872 S * 2/2014 Karpowicz et al. D26/6

* cited by examiner

Primary Examiner — Randall Gholson

(74) *Attorney, Agent, or Firm* — Cantor Colburn LLP

(57) **CLAIM**

We claim, the ornamental design for a stand for television receiver, as shown and described.

DESCRIPTION

FIG. 1 is the front perspective view of a stand for television receiver showing our new design;
FIG. 2 is a front elevation view thereof;
FIG. 3 is a rear elevation view thereof;
FIG. 4 is a side elevation view thereof;
FIG. 5 is another side elevation view thereof;
FIG. 6 is a top plan view thereof;
FIG. 7 is a bottom plan view thereof;
FIG. 8 is a front perspective view thereof, as shown in a television environment; and,
FIG. 9 is a rear perspective view thereof, as shown in a television environment.

The surface treatment of the stand for television receiver shown in the figures forms no part of the claimed design, a stand for television receiver according to the claimed design may have any surface treatment.

The broken lines illustrating portions of the stand for television receiver are for environmental purposes only and form no part of the claimed design.

1 Claim, 9 Drawing Sheets

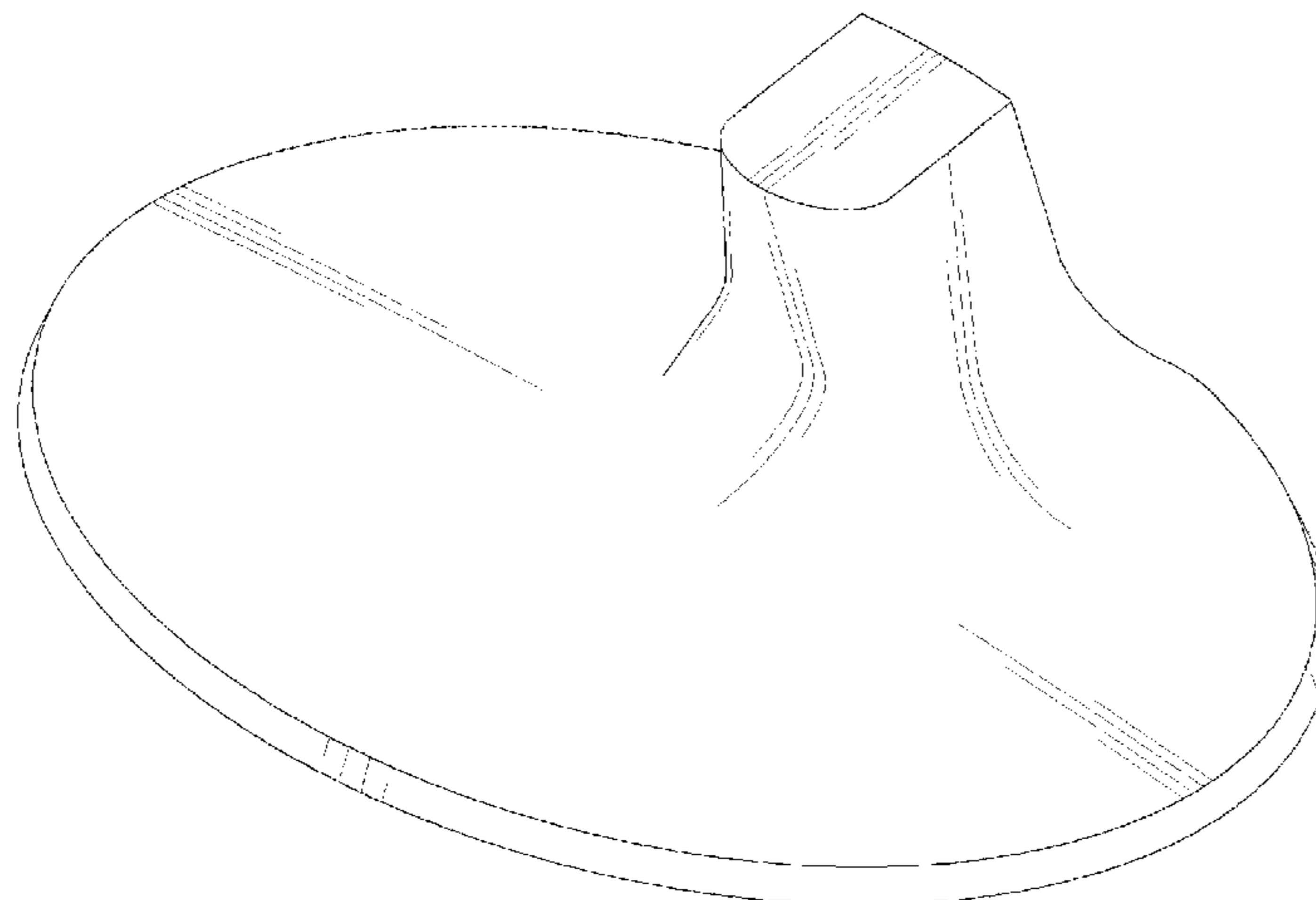


Fig. 1

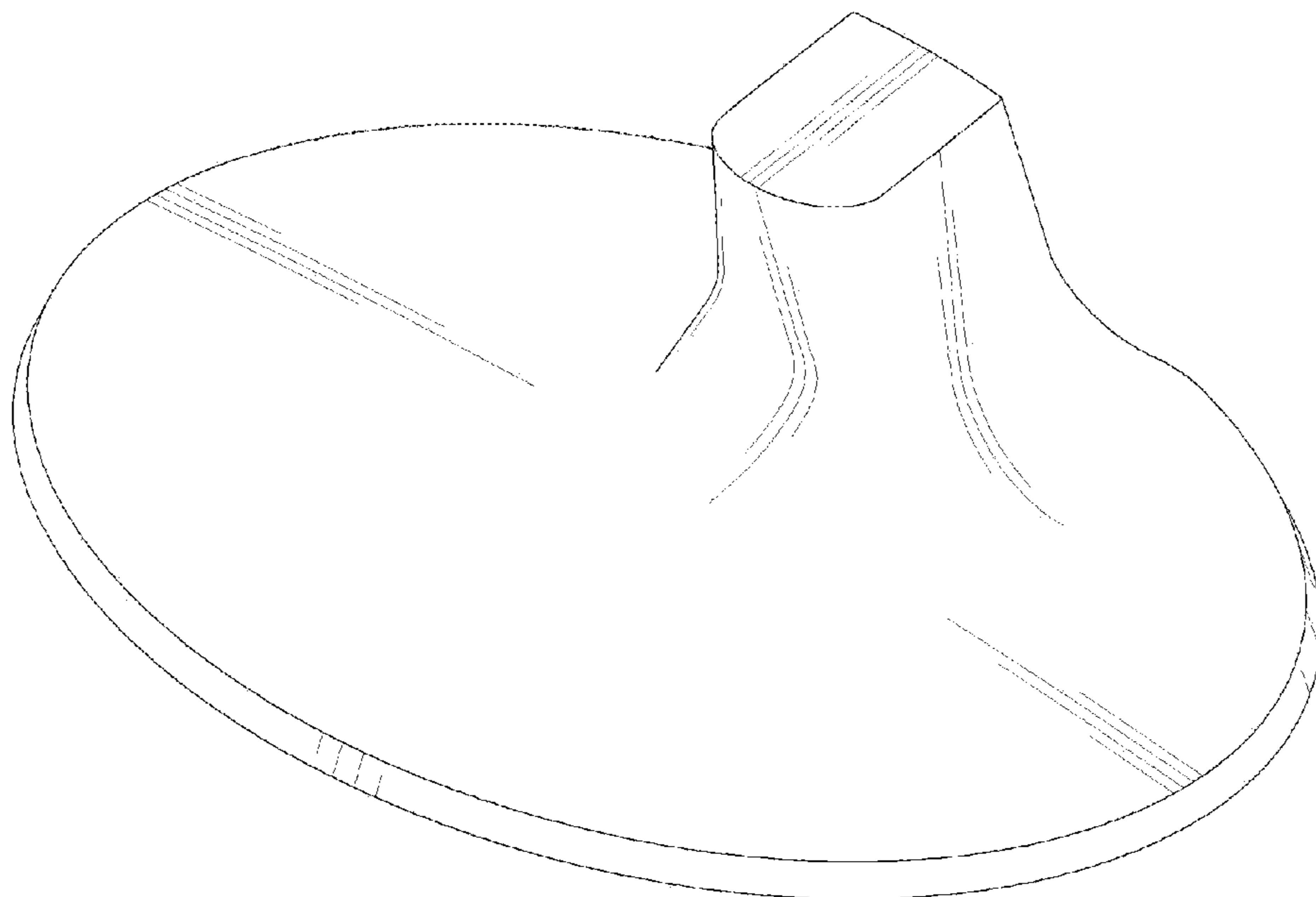


Fig. 2

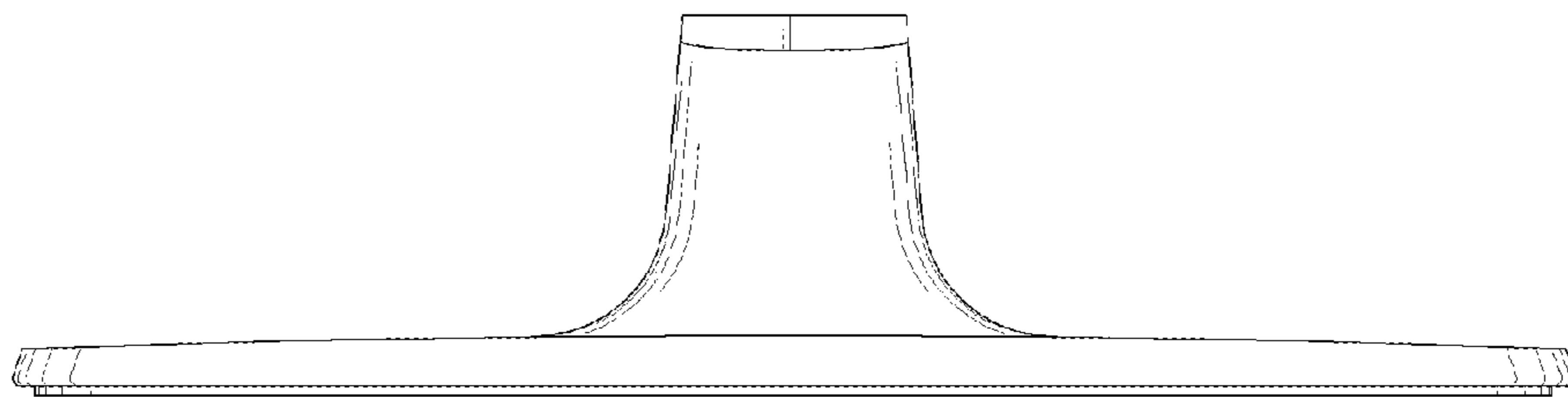


Fig. 3

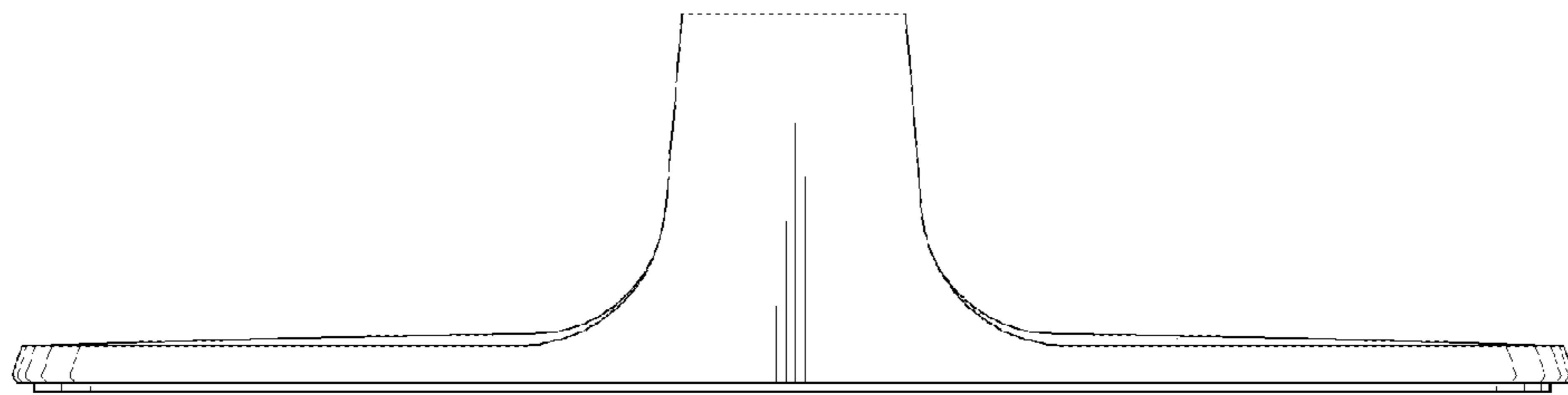


Fig. 4

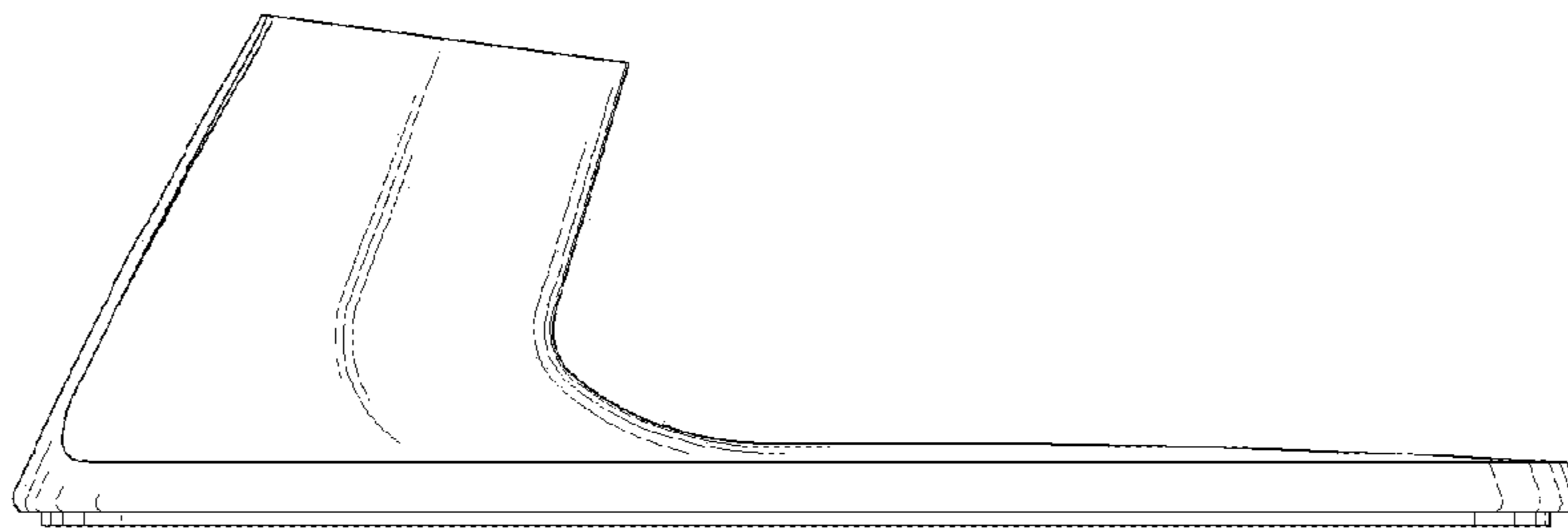


Fig. 5

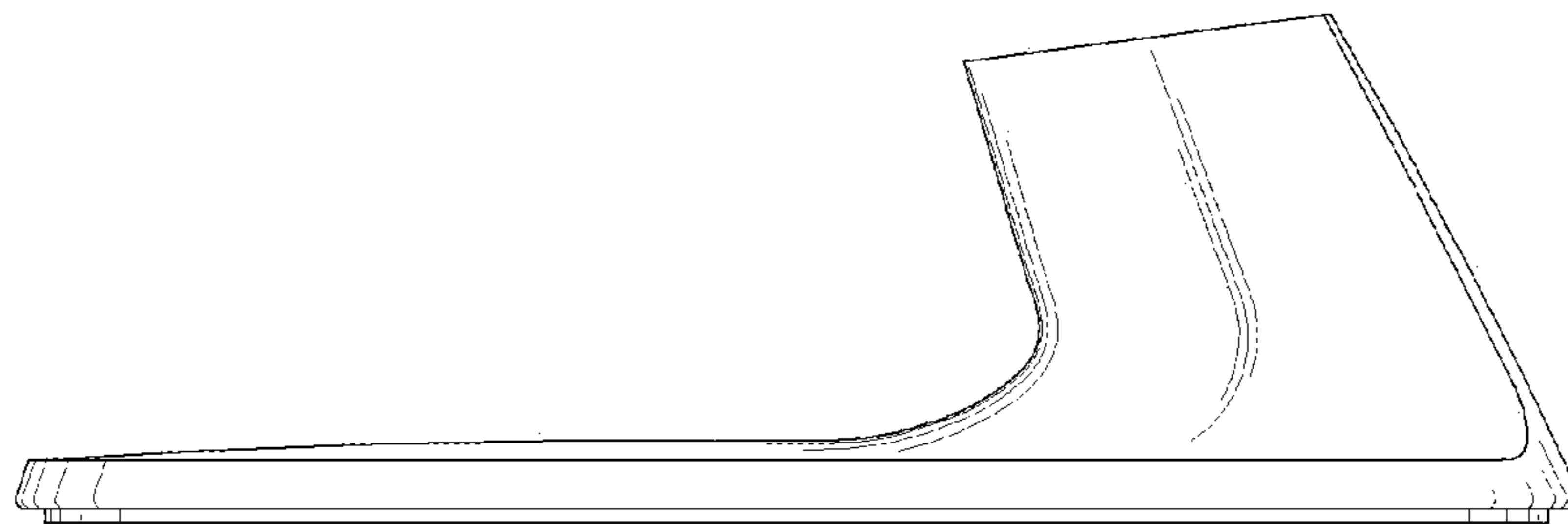


Fig. 6

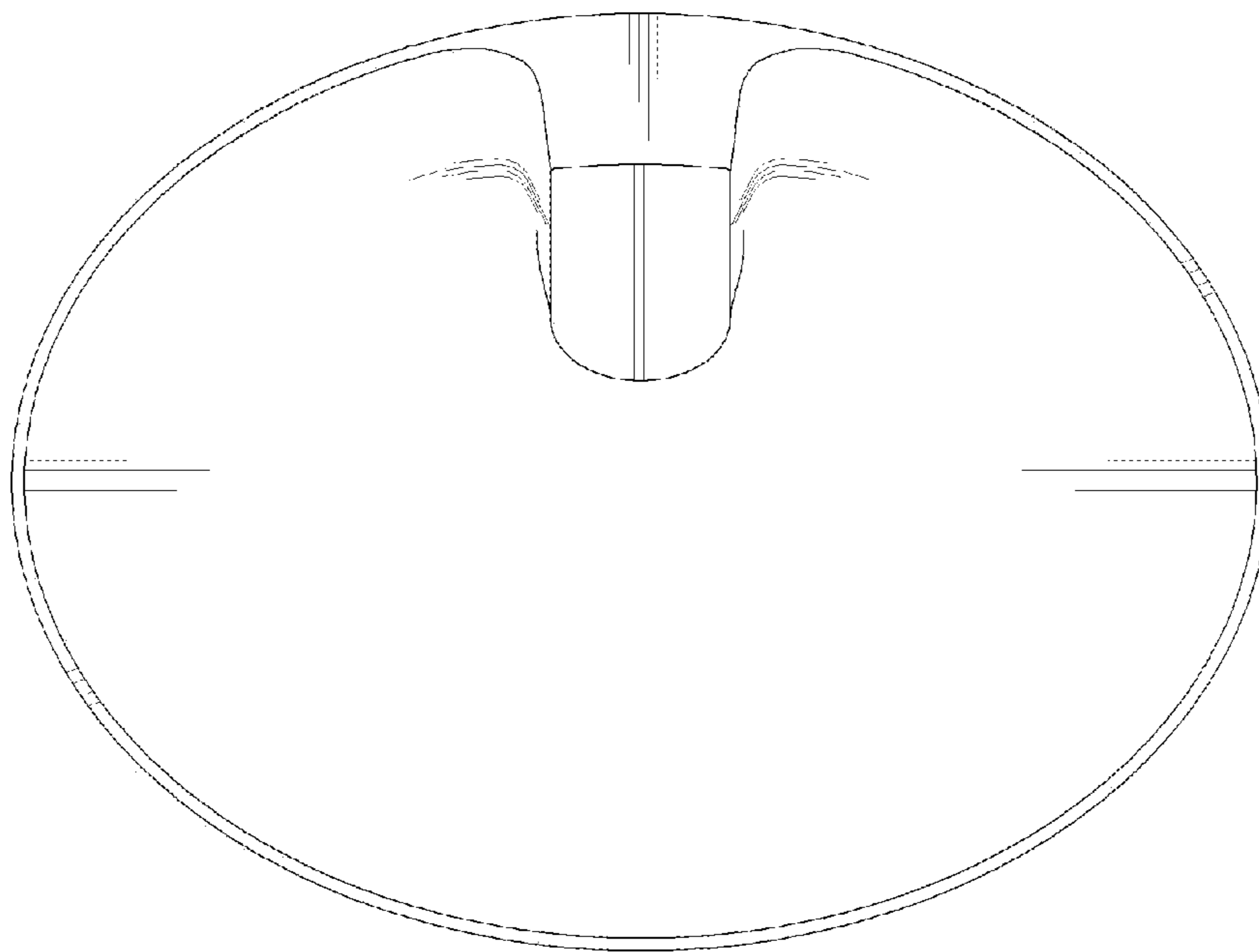


Fig. 7

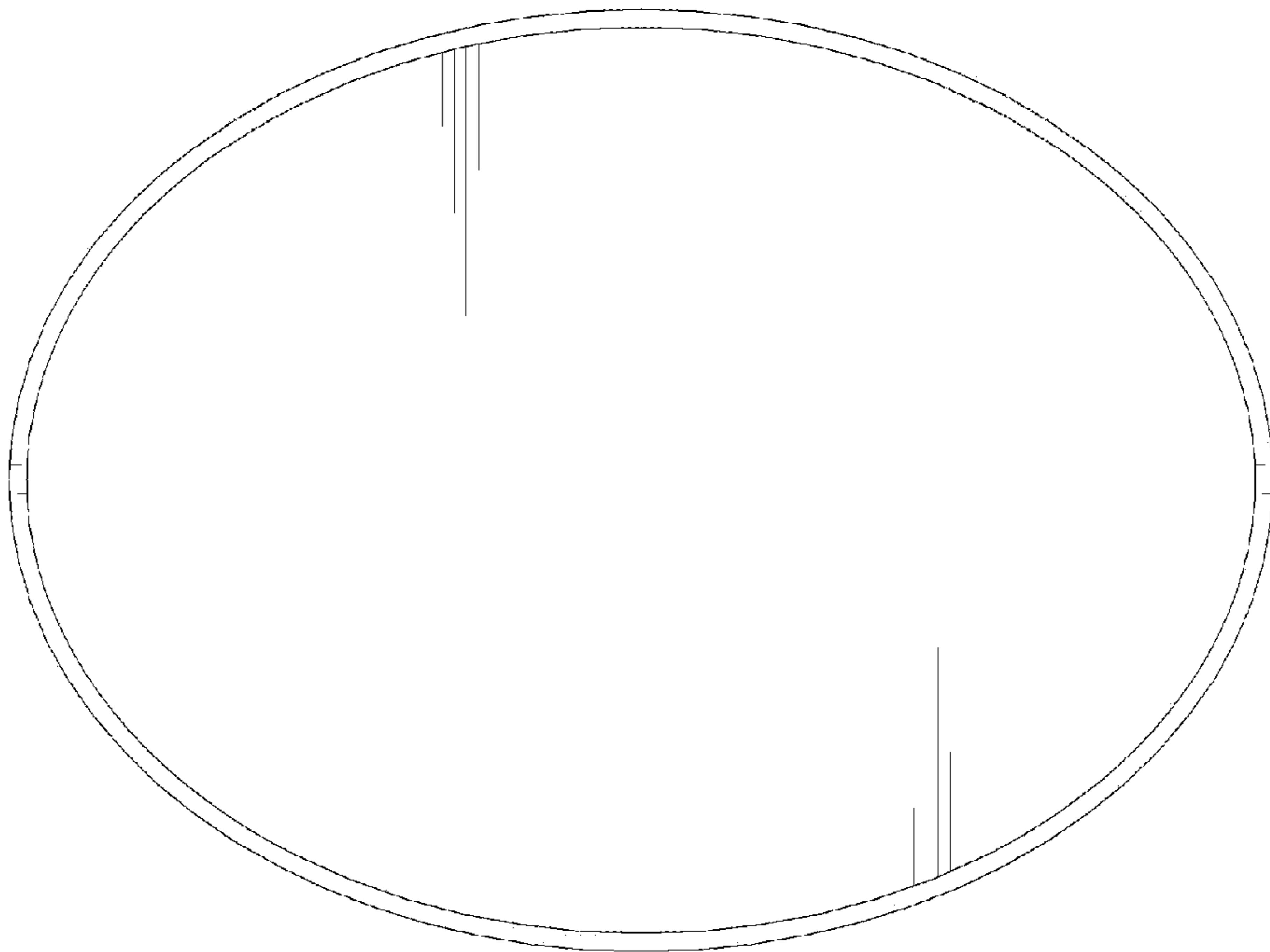


Fig. 8

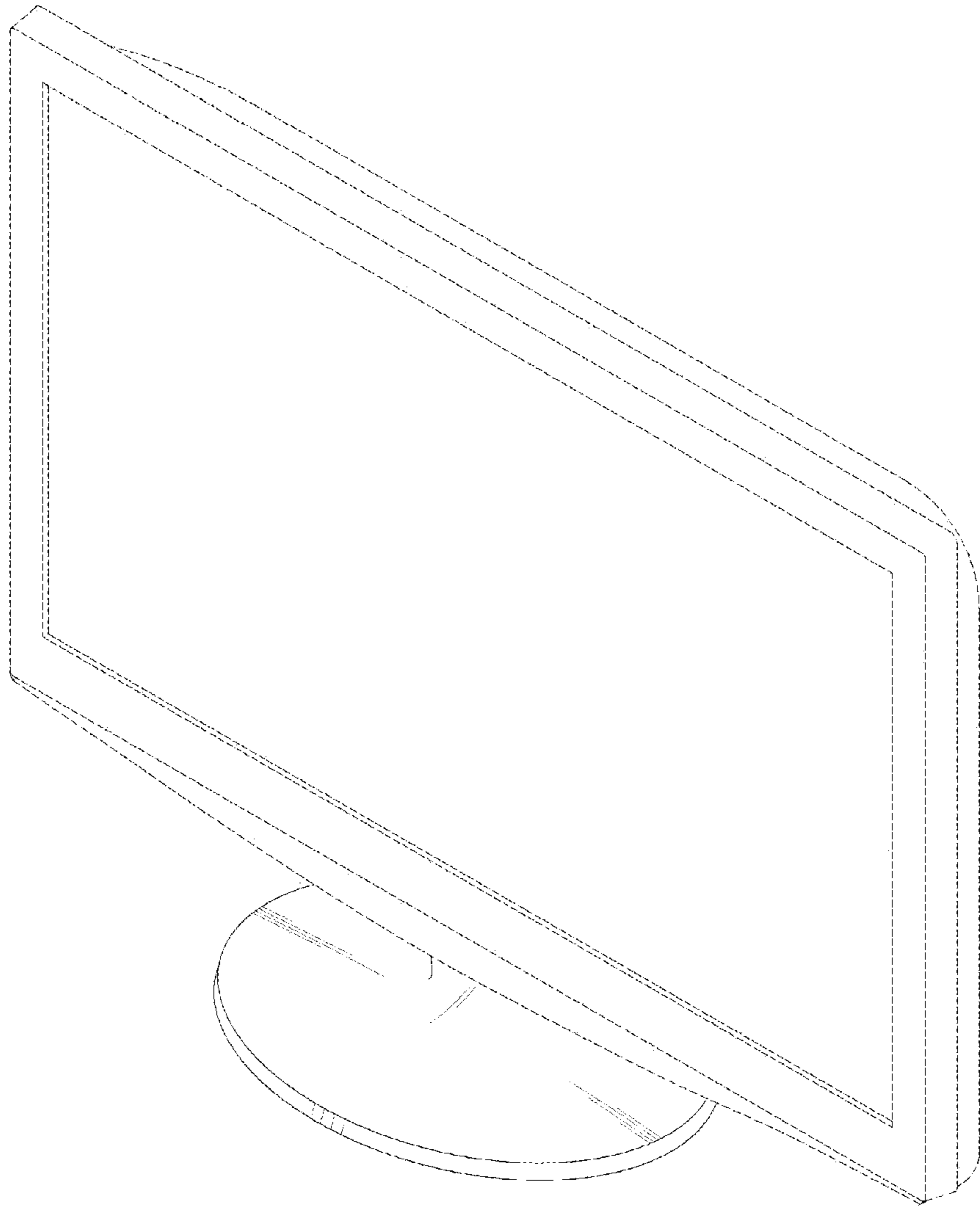


Fig. 9

