



US00D723524S

(12) **United States Design Patent**  
**Ann et al.**

(10) **Patent No.:** **US D723,524 S**  
(45) **Date of Patent:** **\*\* Mar. 3, 2015**

(54) **STAND FOR TV RECEIVER**

(56) **References Cited**

(71) Applicant: **Samsung Electronics Co., Ltd.**,  
Suwon-si (KR)  
(72) Inventors: **Sungjin Ann**, Seoul (KR); **Sinwi Moon**,  
Seogwipo-si (KR)  
(73) Assignee: **Samsung Electronics Co., Ltd.**,  
Suwon-si (KR)  
(\*\*) Term: **14 Years**

U.S. PATENT DOCUMENTS

D533,170	S	*	12/2006	Yamamoto et al.	.....	D14/239
D566,066	S	*	4/2008	Wang	.....	D14/126
D568,265	S	*	5/2008	Fujii et al.	.....	D14/126
D588,117	S	*	3/2009	Arai	.....	D14/239
D660,293	S	*	5/2012	Itou et al.	.....	D14/239
D669,047	S	*	10/2012	Asanuma et al.	.....	D14/126
8,408,502	B2	*	4/2013	Watanabe	.....	248/121
D682,797	S	*	5/2013	Lee et al.	.....	D14/126
D694,206	S	*	11/2013	Seo et al.	.....	D14/126
D694,727	S	*	12/2013	McManigal et al.	.....	D14/126
8,628,052	B2	*	1/2014	Lee et al.	.....	248/289.11
D704,156	S	*	5/2014	Lee et al.	.....	D14/126

(21) Appl. No.: **29/492,399**

\* cited by examiner

(22) Filed: **May 30, 2014**

*Primary Examiner* — Randall Gholson  
(74) *Attorney, Agent, or Firm* — NSIP Law

(30) **Foreign Application Priority Data**

(57) **CLAIM**

Jan. 2, 2014 (KR) ..... 30-2014-0000250

We claim the ornamental design for a stand for TV receiver, as shown and described.

(51) **LOC (10) Cl.** ..... **14-03**

**DESCRIPTION**

(52) **U.S. Cl.**  
USPC ..... **D14/239**

(58) **Field of Classification Search**  
CPC ..... F16M 11/10; F16M 13/02  
USPC ..... D14/125-134, 239, 371, 136, 374-377,  
D14/440, 450, 448, 336, 342, 159; 312/7.2;  
348/836, 838, 180, 184, 325, 739;  
248/917-924, 465; 345/104, 133, 156,  
345/168, 87, 173; D21/329, 515, 577, 622,  
D21/333, 433, 448, 452, 450, 331, 505;  
D10/15, 26; 446/484, 175, 356;  
D6/477, 479, 300

FIG. 1 is a front perspective view of a stand for TV receiver showing our new design;  
FIG. 2 is a front view thereof;  
FIG. 3 is a rear view thereof;  
FIG. 4 is a left-side view thereof;  
FIG. 5 is a right-side view thereof;  
FIG. 6 is a top view thereof;  
FIG. 7 is a bottom view thereof; and,  
FIG. 8 is another front perspective view, in which a TV receiver in broken lines is provided to illustrate an example environment.

The broken lines shown in the drawings show unclaimed subject matter only and form no part of the claimed design.

See application file for complete search history.

**1 Claim, 8 Drawing Sheets**

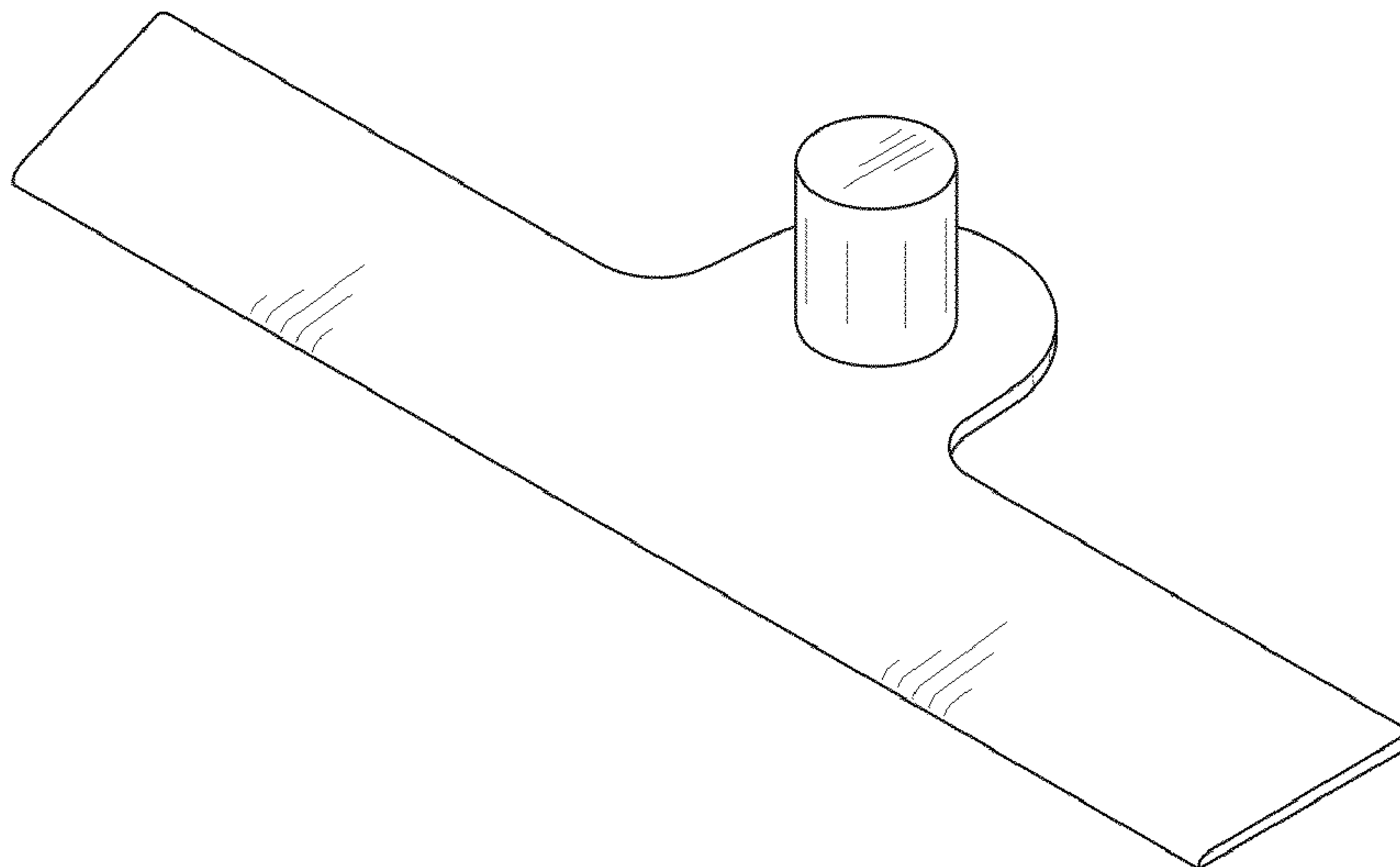


FIG. 1

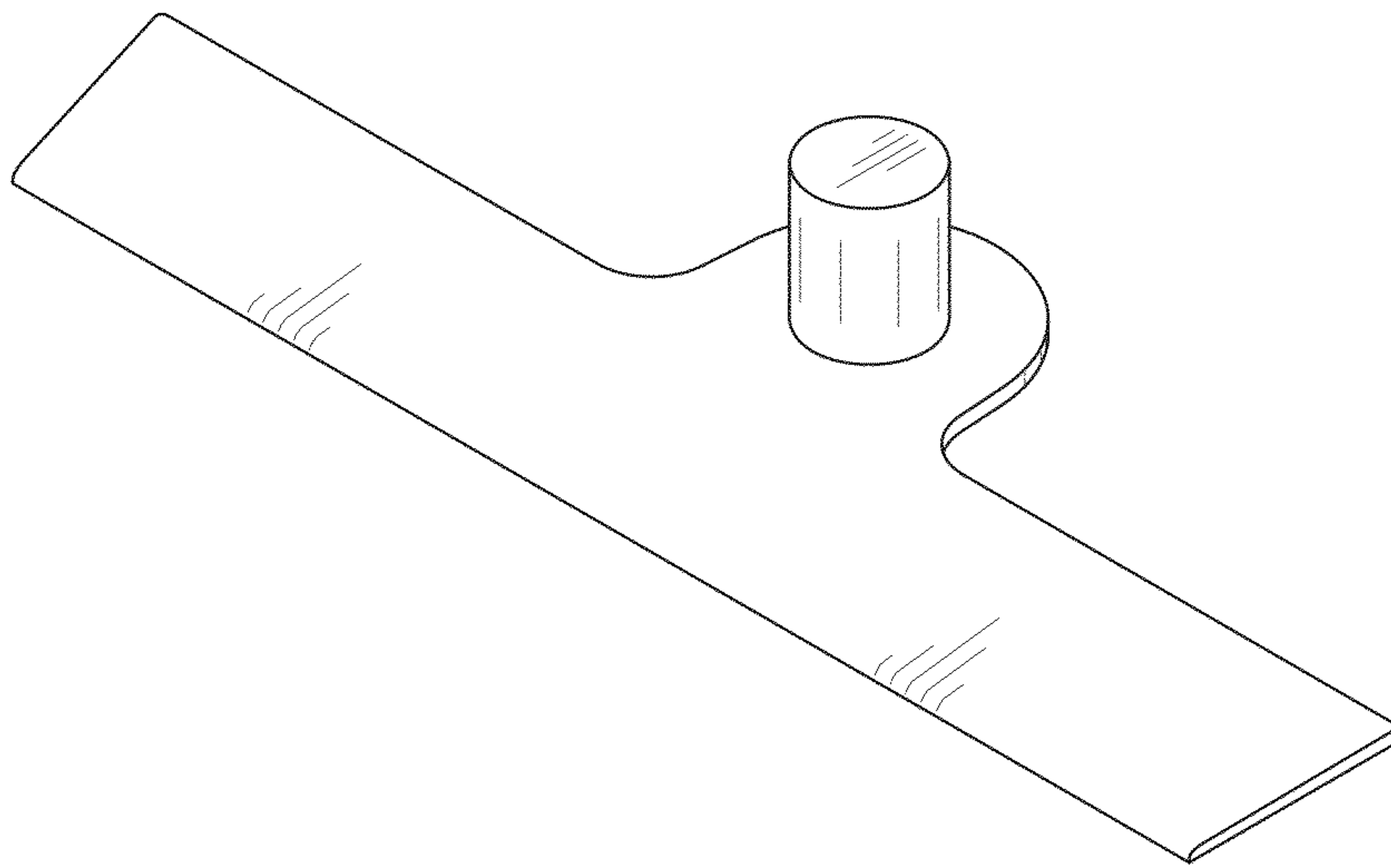


FIG. 2

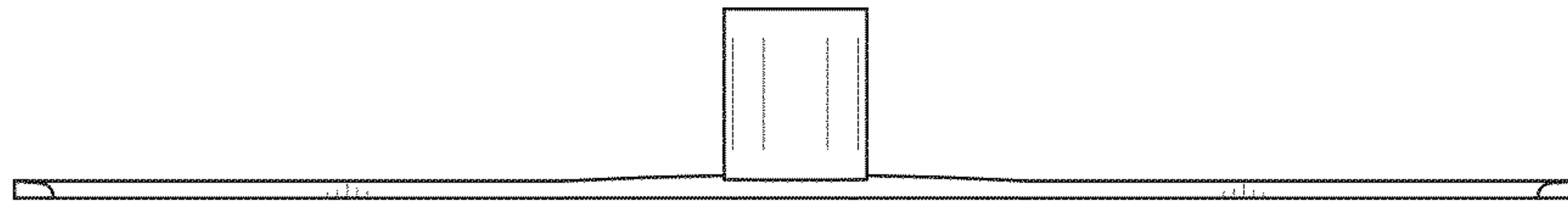


FIG. 3

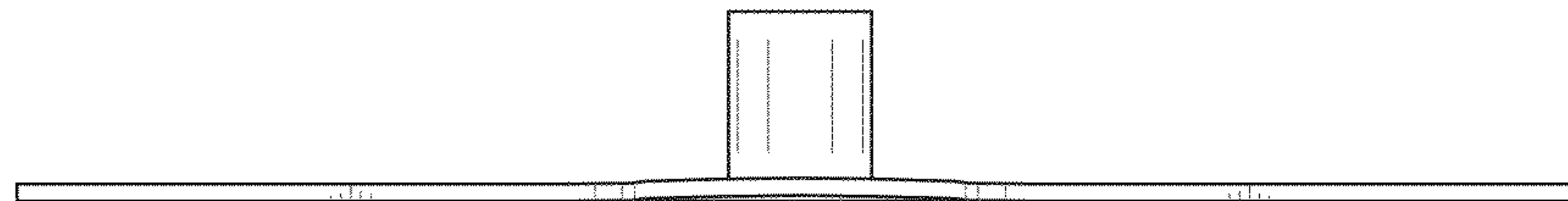


FIG. 4

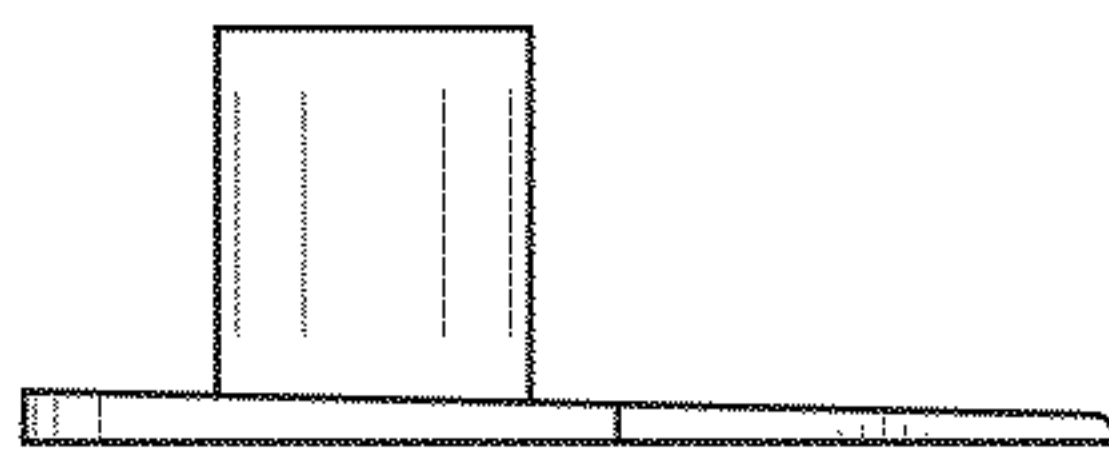


FIG. 5

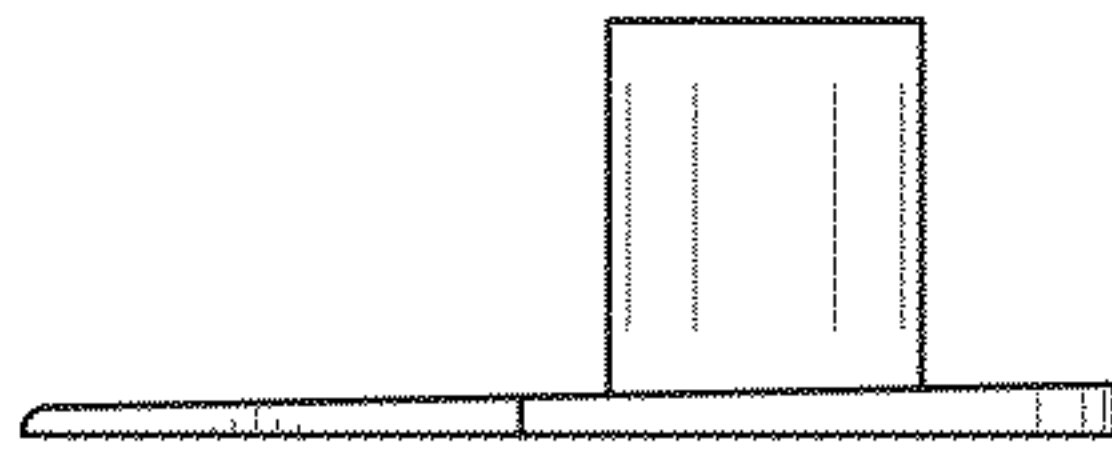


FIG. 6

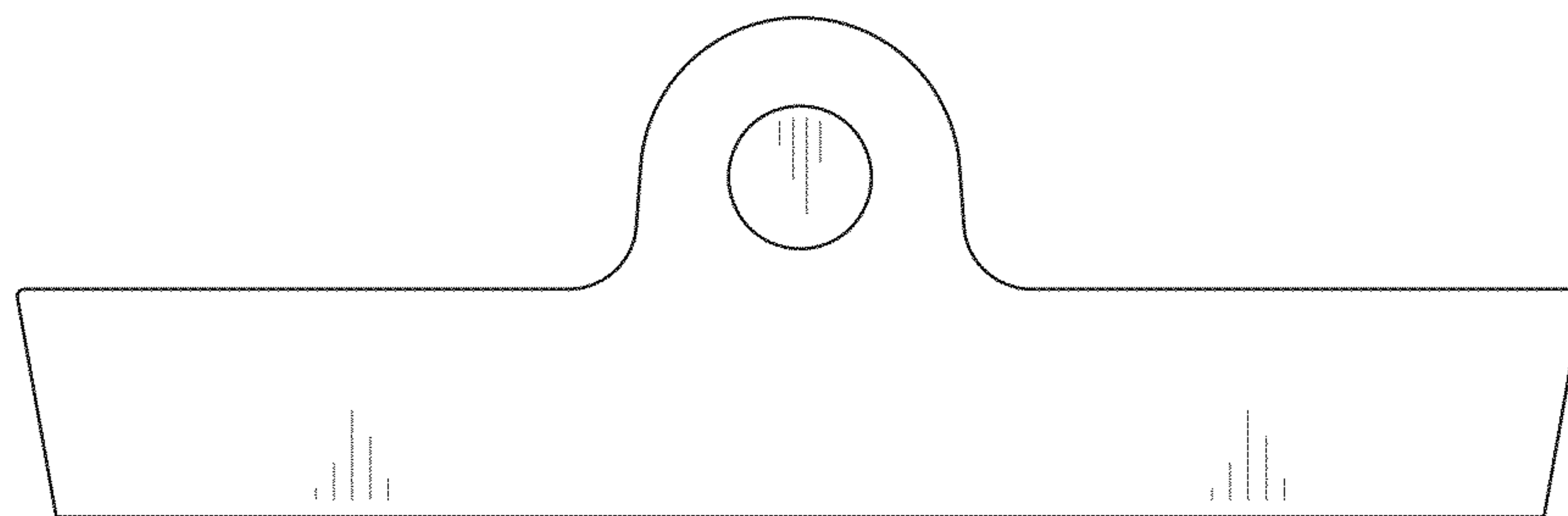


FIG. 7

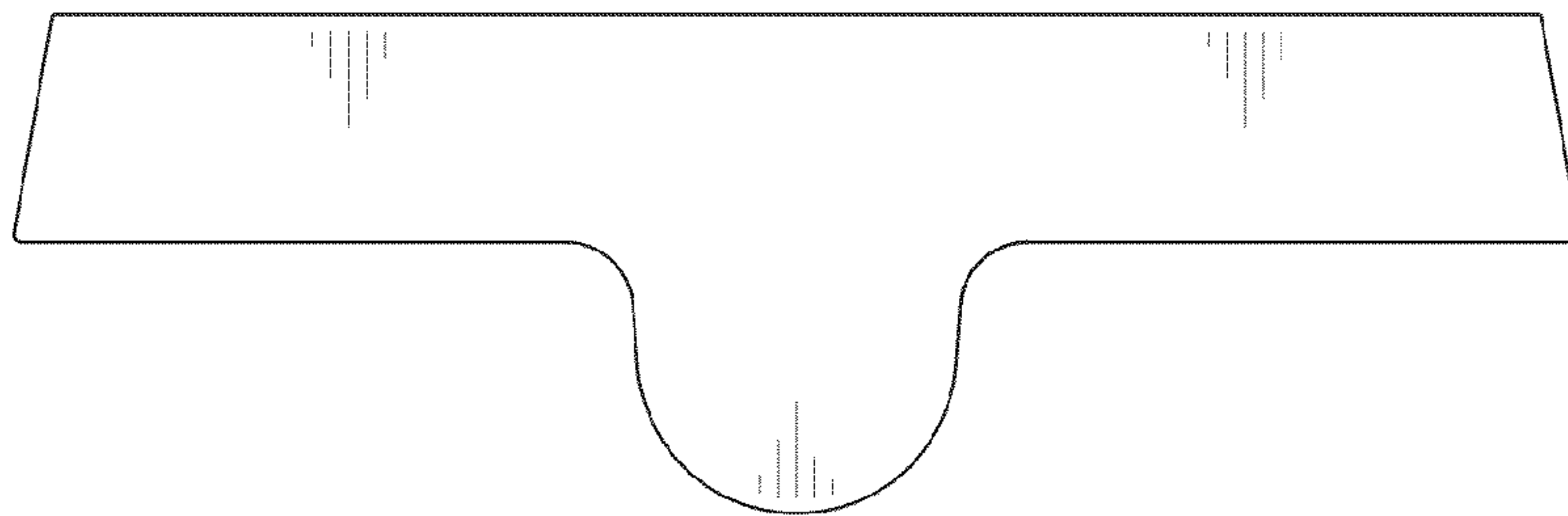




FIG. 8

