



US00D723523S

(12) **United States Design Patent**
Buhler et al.

(10) **Patent No.:** **US D723,523 S**
(45) **Date of Patent:** **** Mar. 3, 2015**

- (54) **HAND-HELD ANTENNA SYSTEM**
- (71) Applicant: **RF Surgical Systems, Inc.**, Carlsbad, CA (US)
- (72) Inventors: **John T. Buhler**, Carlsbad, CA (US);
William A. Blair, Carlsbad, CA (US);
David A. Poirier, Escondido, CA (US);
Curtis Crump, Vista, CA (US)
- (73) Assignee: **RF Surgical Systems, Inc.**, Carlsbad, CA (US)
- (**) Term: **14 Years**
- (21) Appl. No.: **29/486,548**
- (22) Filed: **Mar. 31, 2014**
- (51) **LOC (10) Cl.** **14-03**
- (52) **U.S. Cl.**
USPC **D14/230**
- (58) **Field of Classification Search**
USPC D14/230-238, 299; 343/700 R, 840,
343/841, 908, 872; 455/3.02, FOR. 215,
455/575.2
See application file for complete search history.

- D484,486 S * 12/2003 Solland D14/207
- 6,891,527 B1 * 5/2005 Chapman et al. 345/158
- D512,048 S * 11/2005 Borsboom D14/216
- D514,548 S * 2/2006 Chan D14/216
- D518,819 S * 4/2006 Gray D14/230
- D541,228 S * 4/2007 Thursfield D13/168
- D543,212 S * 5/2007 Marks D14/454
- D556,753 S * 12/2007 Chiu et al. D14/358
- D579,918 S * 11/2008 Engstrom et al. D14/218
- D594,423 S * 6/2009 Glassman et al. D13/168

(Continued)

Primary Examiner — John Windmuller

(74) *Attorney, Agent, or Firm* — Seed IP Law Group PLLC

(57) **CLAIM**

The ornamental design for a hand-held antenna system, as shown and described.

DESCRIPTION

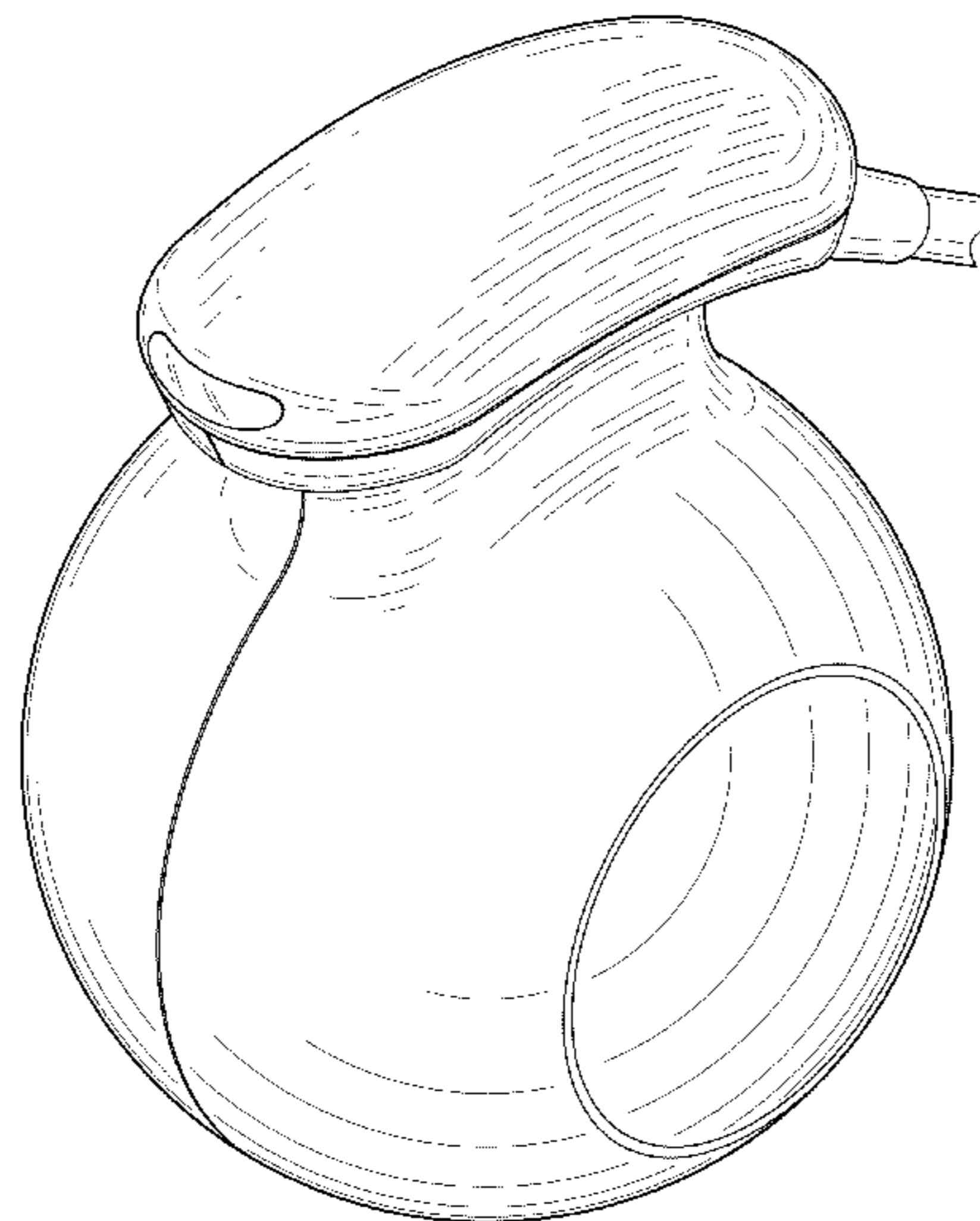
FIG. 1 is an isometric view of a hand-held antenna system showing an embodiment of our new design.
 FIG. 2 is a front elevational view thereof.
 FIG. 3 is a right side elevational view thereof.
 FIG. 4 is a top plan view thereof.
 FIG. 5 is a left side elevational view thereof.
 FIG. 6 is a rear elevational view thereof.
 FIG. 7 is a bottom plan view thereof.
 FIG. 8 is an isometric view of a hand-held antenna system showing another embodiment of our new design.
 FIG. 9 is a front elevational view thereof.
 FIG. 10 is a right side elevational view thereof.
 FIG. 11 is a top plan view thereof.
 FIG. 12 is a left side elevational view thereof.
 FIG. 13 is a rear elevational view thereof; and,
 FIG. 14 is a bottom plan view thereof.
 Stippling and contour lines shown in the drawings are intended to represent the approximate three-dimensional contours of the design, and is not intended to indicate surface decoration. The broken lines in the figures are for illustrative purposes only and form no part of the claimed design.

1 Claim, 14 Drawing Sheets

(56) **References Cited**

U.S. PATENT DOCUMENTS

- D214,629 S * 7/1969 Huntington et al. D10/46
- 3,465,345 A * 9/1969 Purington et al. 343/885
- 3,911,441 A * 10/1975 Stein 343/709
- D292,095 S * 9/1987 Yoshiharu D14/143
- 4,755,820 A * 7/1988 Backhouse et al. 343/700 MS
- D338,206 S * 8/1993 Sawaguchi et al. D14/230
- D366,875 S * 2/1996 Kakizaki D14/218
- D372,244 S * 7/1996 Yamazaki et al. D14/218
- D401,593 S * 11/1998 Nishimura et al. D14/230
- D401,594 S * 11/1998 Nishimura et al. D14/230
- 5,923,318 A * 7/1999 Zhai et al. 345/157
- D424,558 S * 5/2000 Hong D14/143
- D443,544 S * 6/2001 Place D10/109.1
- D447,471 S * 9/2001 Andre et al. D14/216



(56)

References Cited

U.S. PATENT DOCUMENTS

D600,216 S * 9/2009 Glassman et al. D13/168
D613,291 S * 4/2010 Carver D14/432
D619,120 S * 7/2010 Nikiforov et al. D14/218
D625,299 S * 10/2010 Kits van Heyningen
et al. D14/233
D628,577 S * 12/2010 Marks et al. D14/412

D629,394 S * 12/2010 Brady et al. D14/218
D631,870 S * 2/2011 Nikiforov et al. D14/218
8,207,939 B1 * 6/2012 Bareli 345/163
D692,003 S * 10/2013 Coulter D14/412
D695,716 S * 12/2013 Cleo D14/218
D695,725 S * 12/2013 Taeger D14/230
8,672,374 B1 * 3/2014 Webber 294/25
2005/0140645 A1 * 6/2005 Ueshima 345/156

* cited by examiner

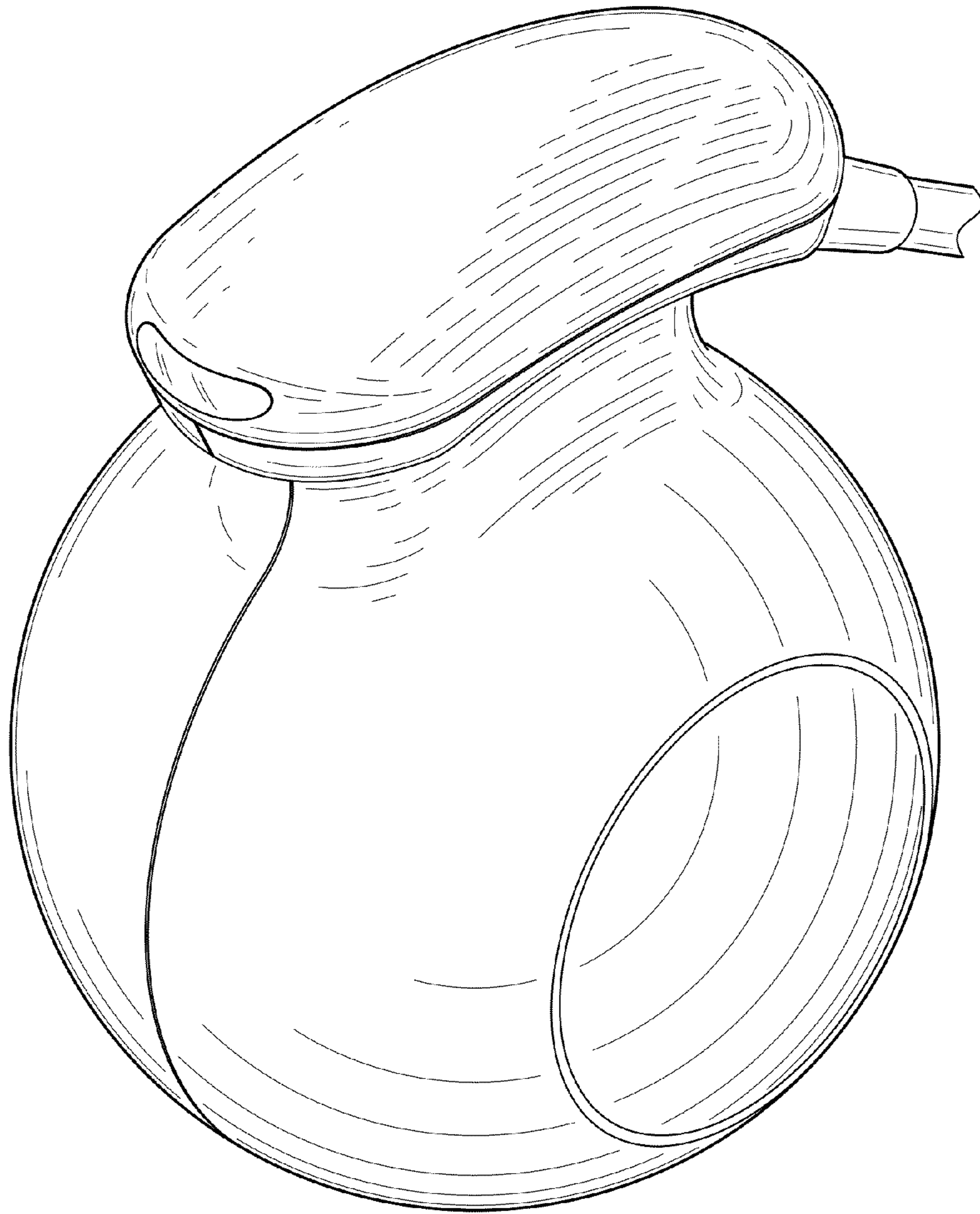


FIG.1

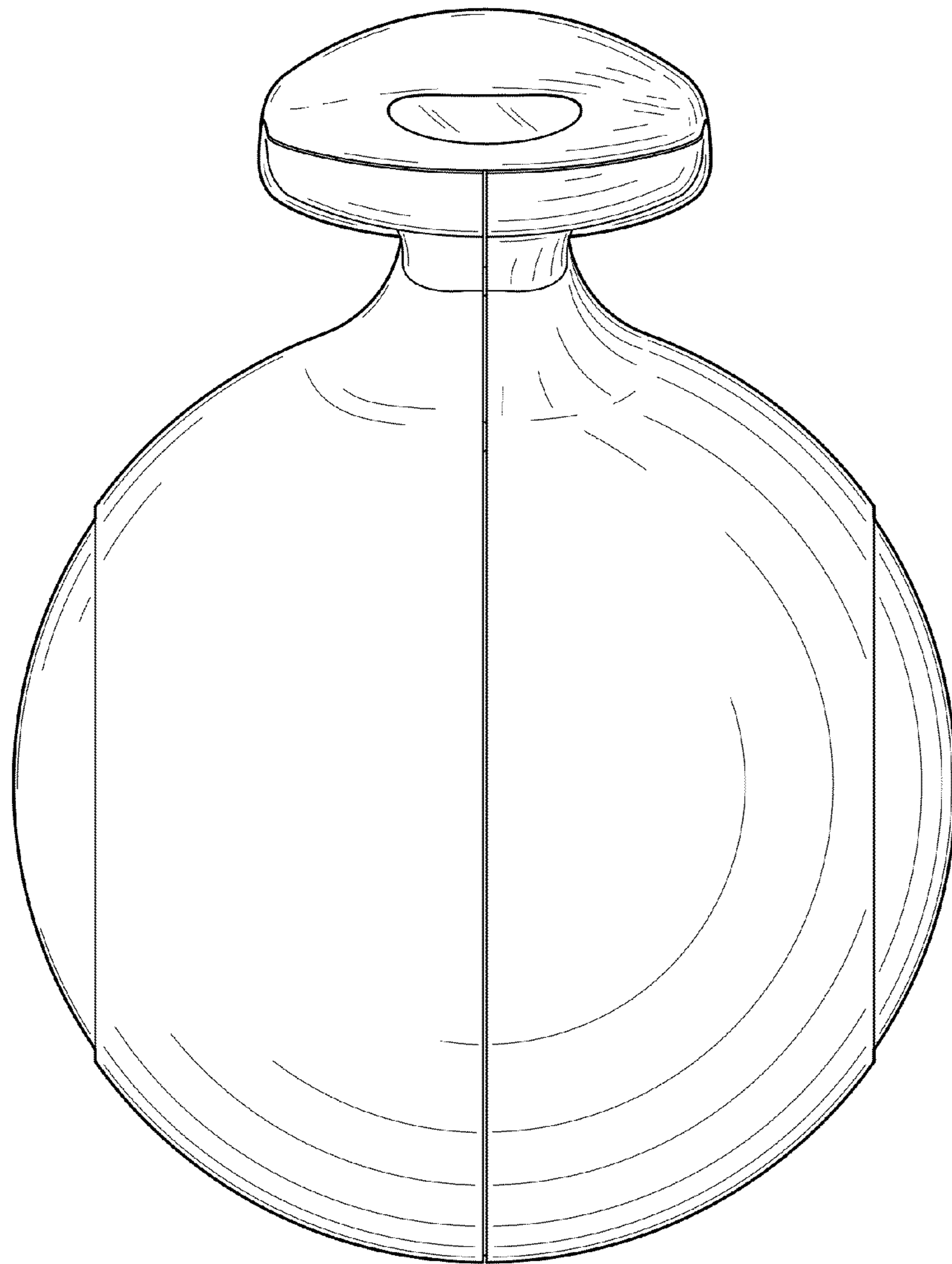


FIG. 2

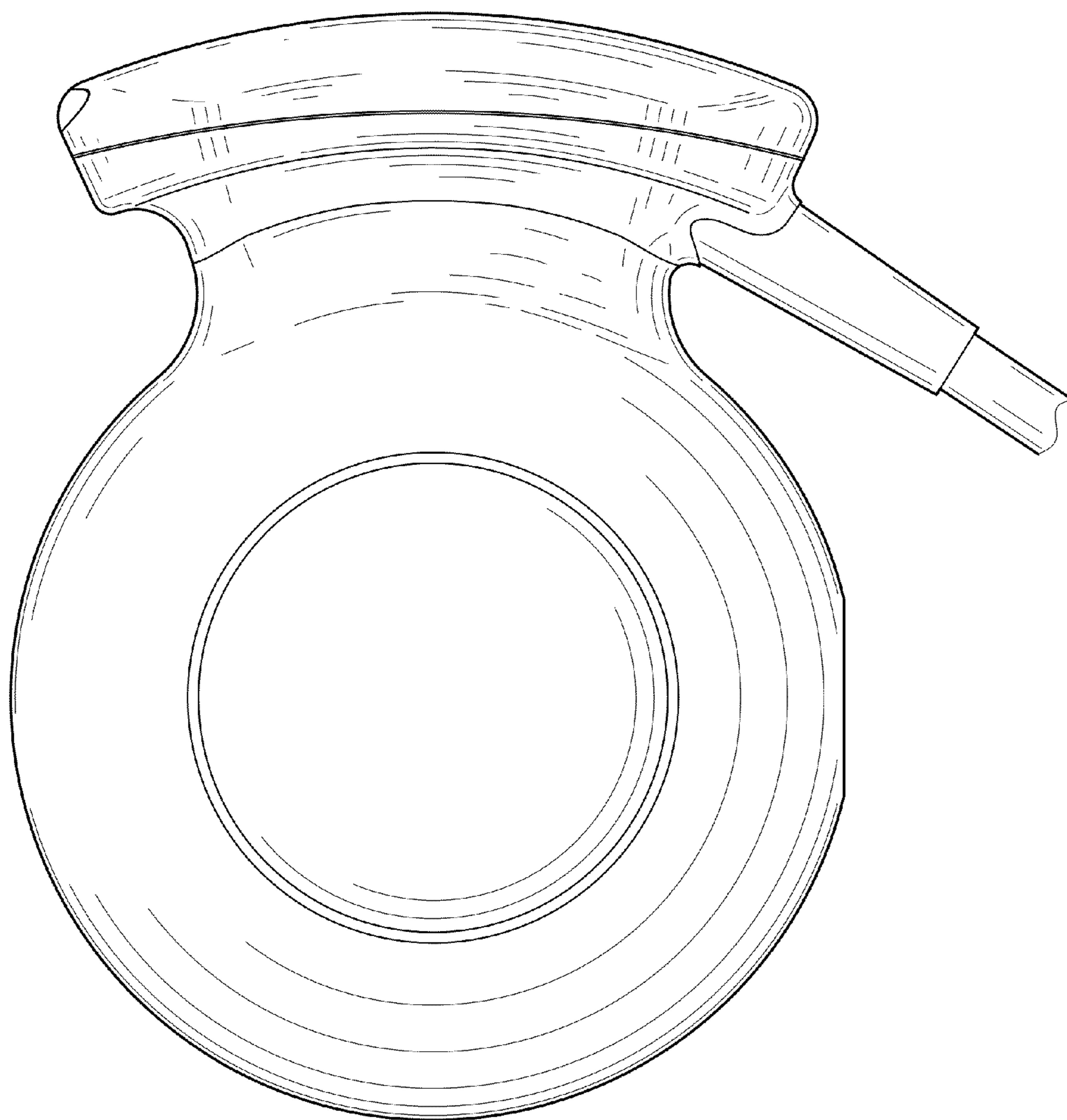


FIG. 3

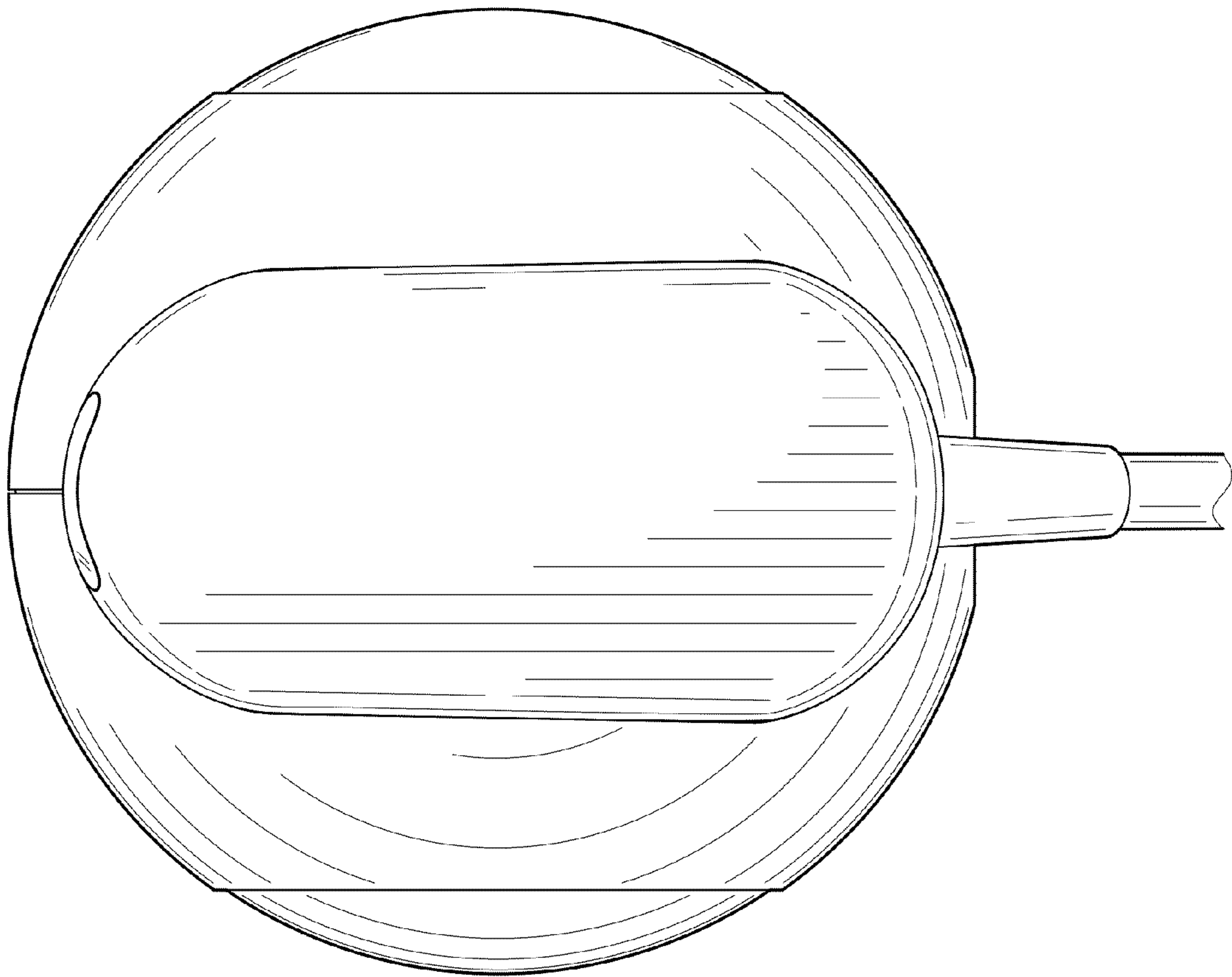


FIG.4

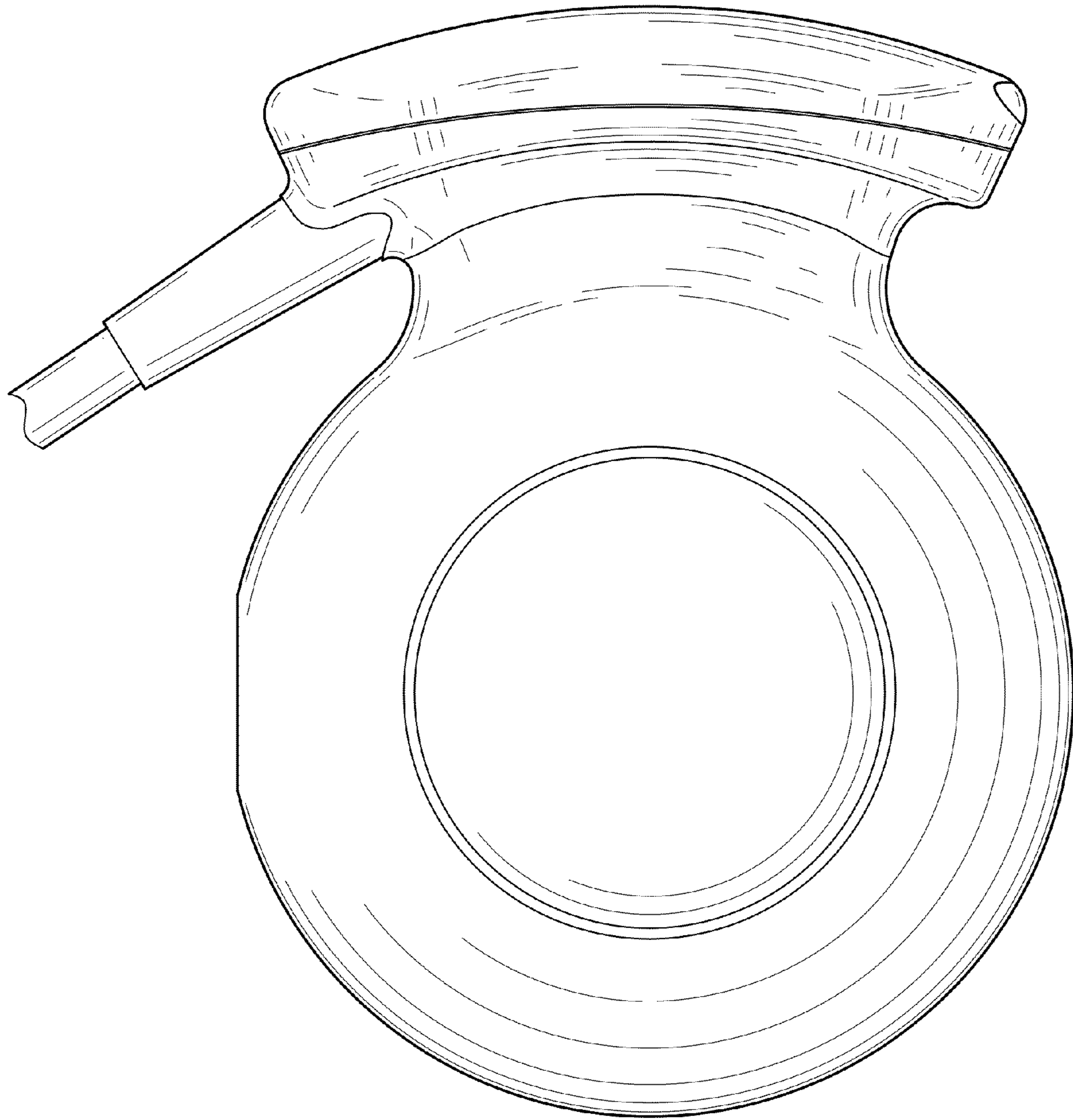


FIG. 5

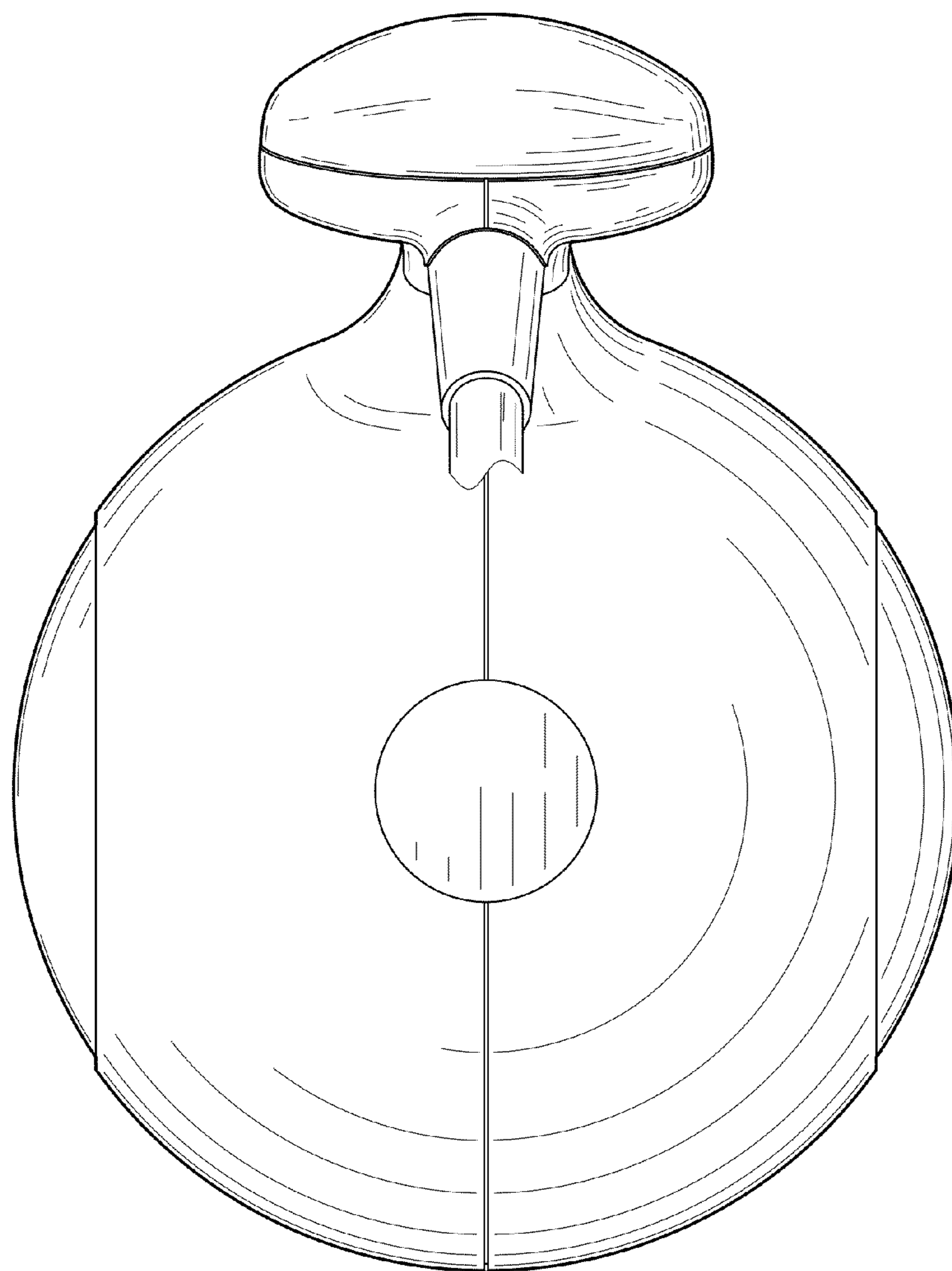


FIG. 6

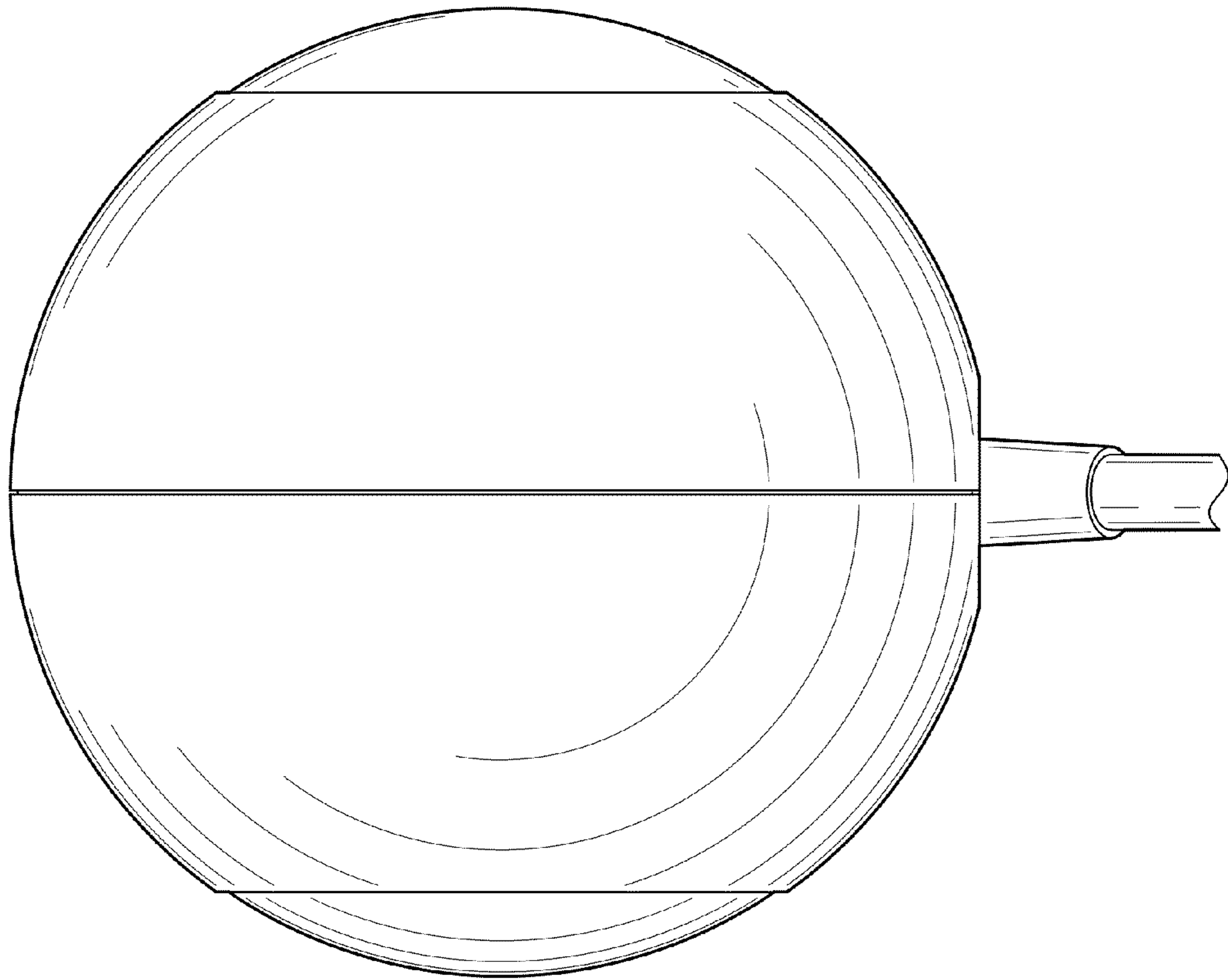


FIG. 7

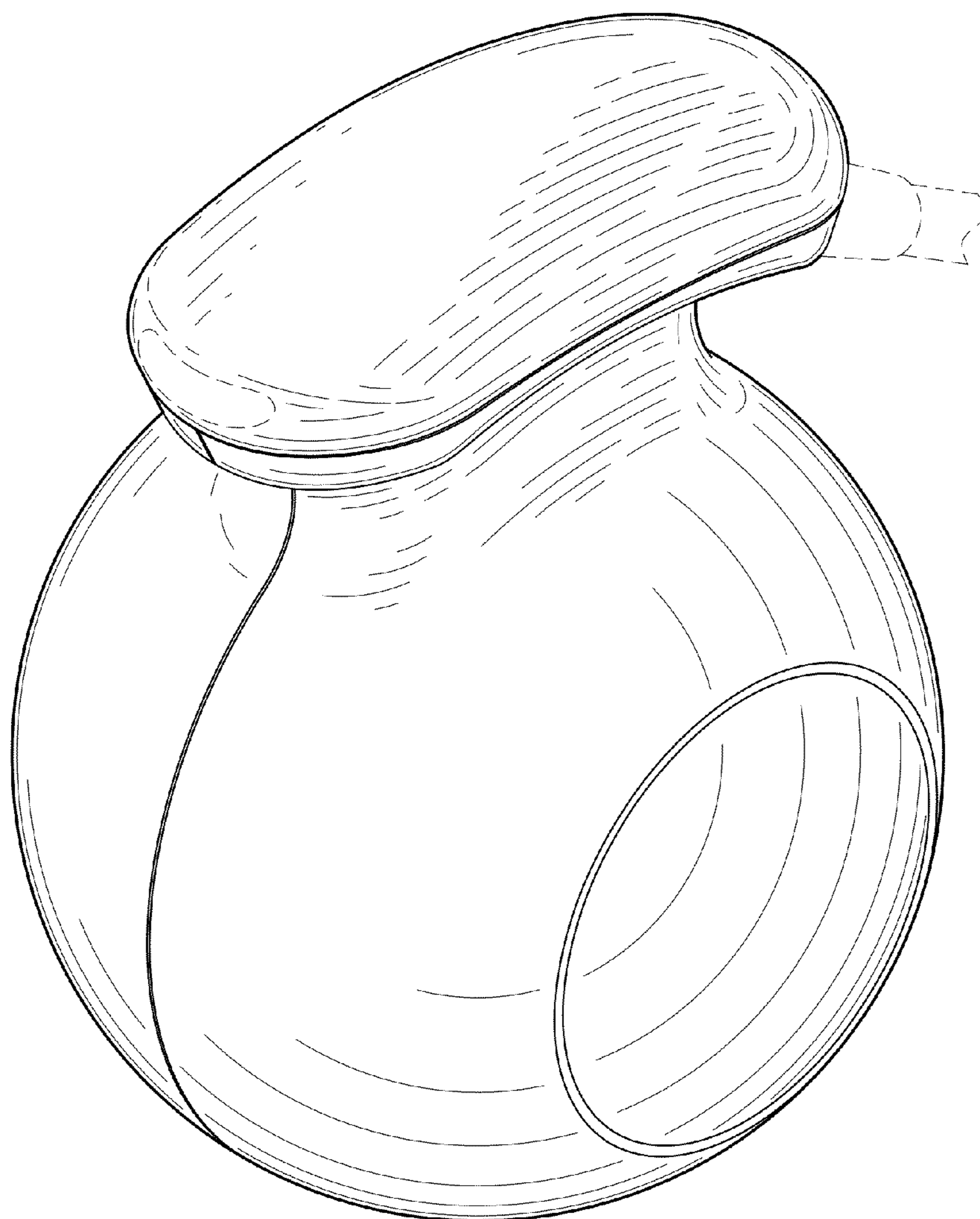


FIG.8

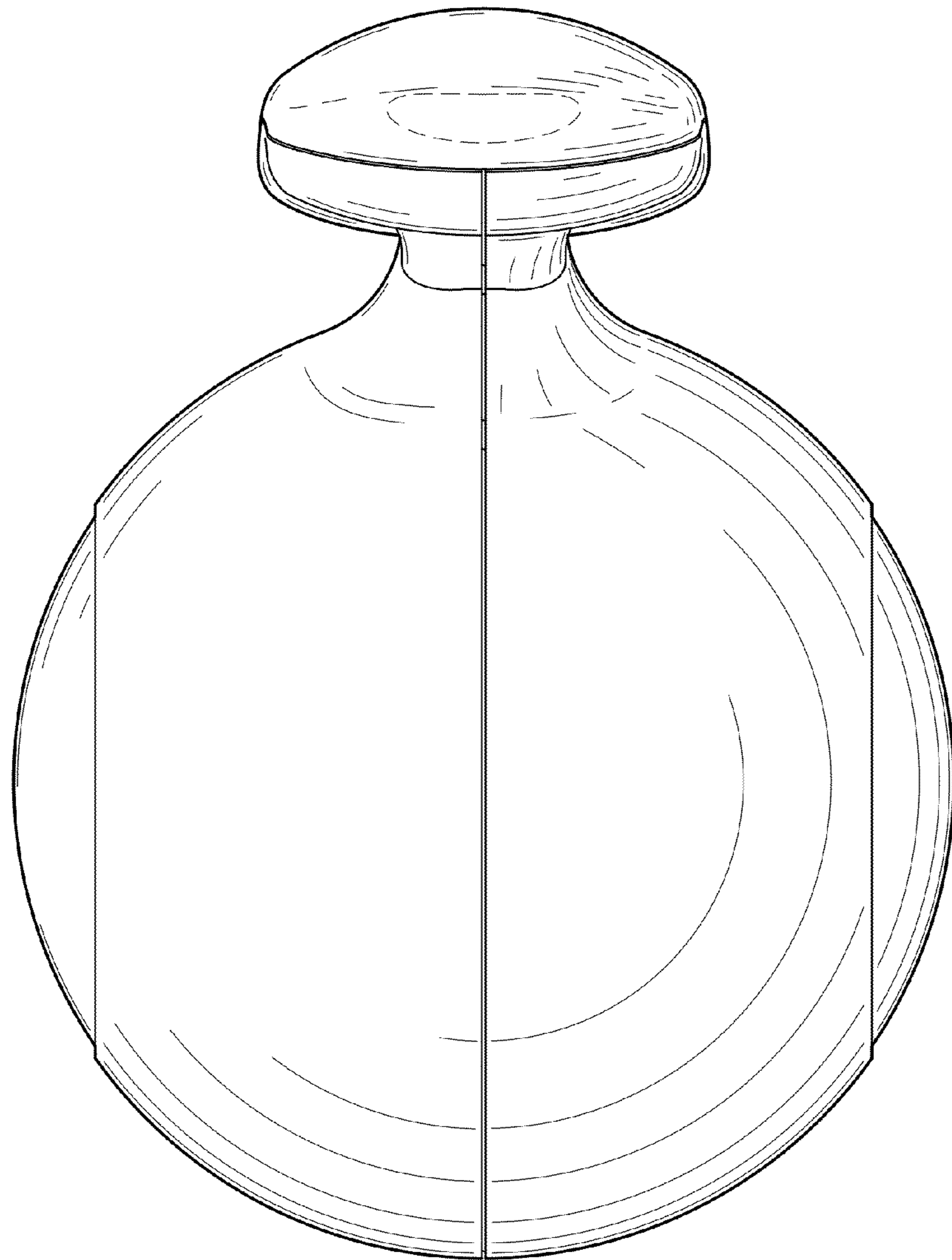


FIG. 9

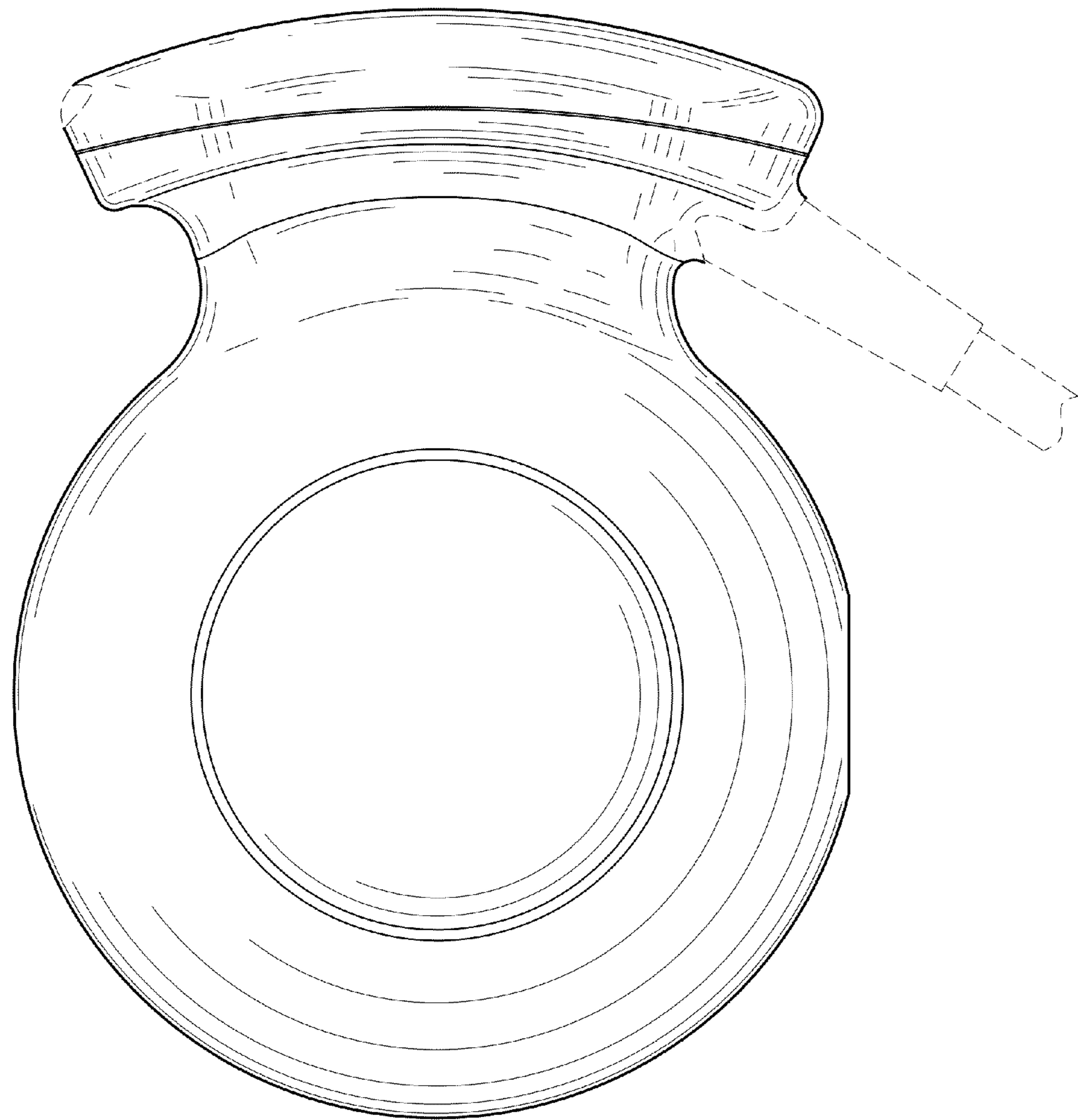


FIG.10

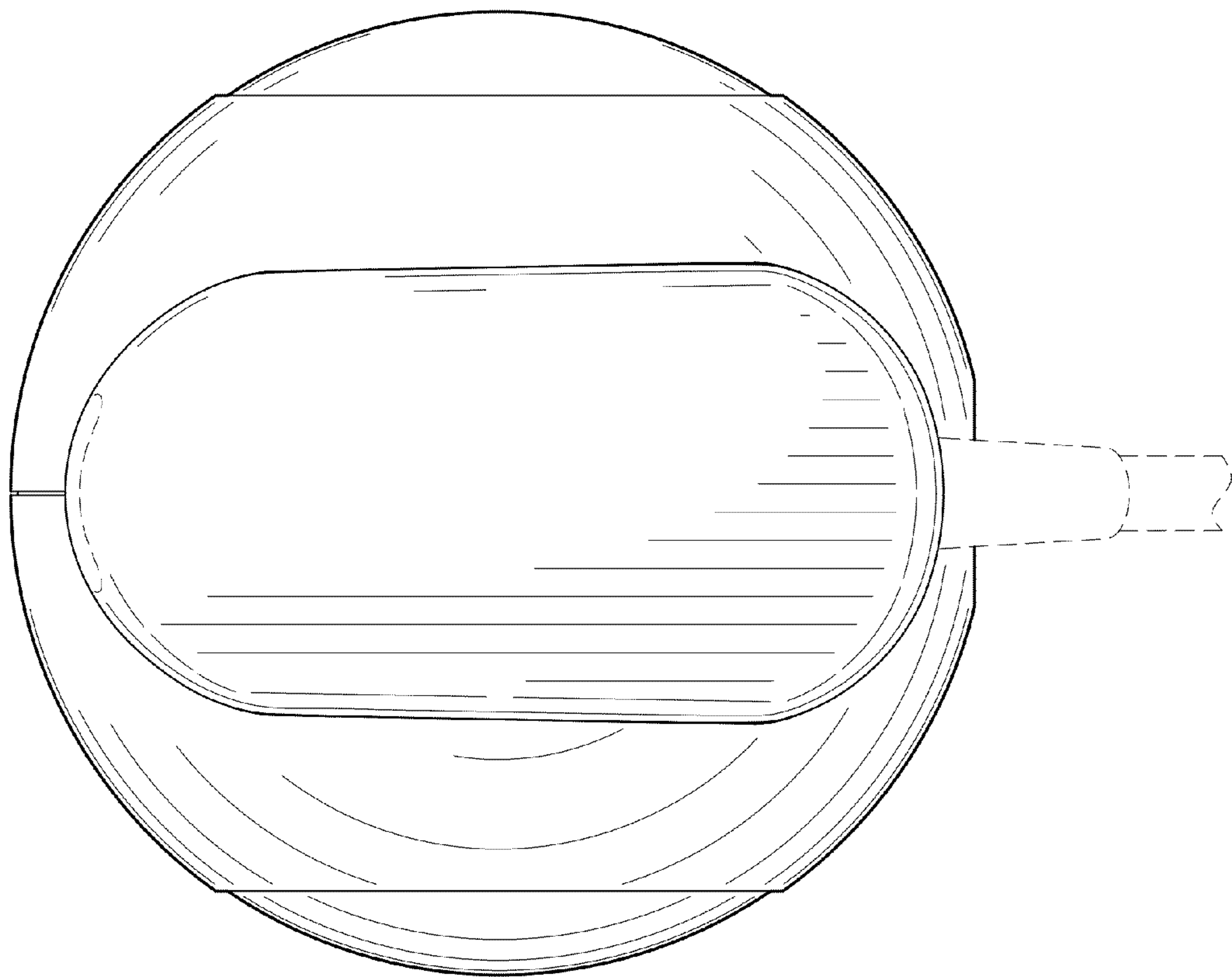


FIG.11

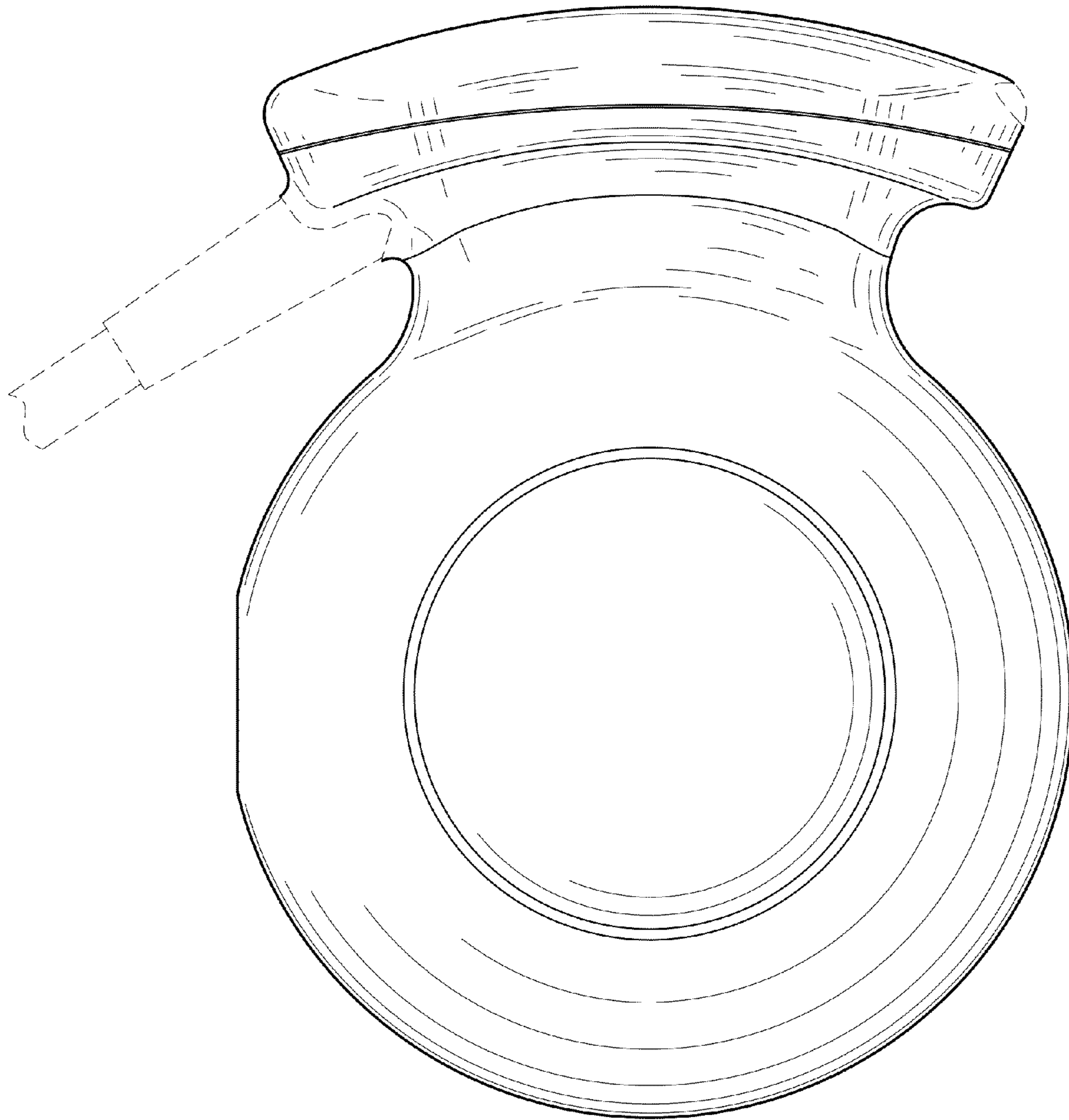


FIG.12

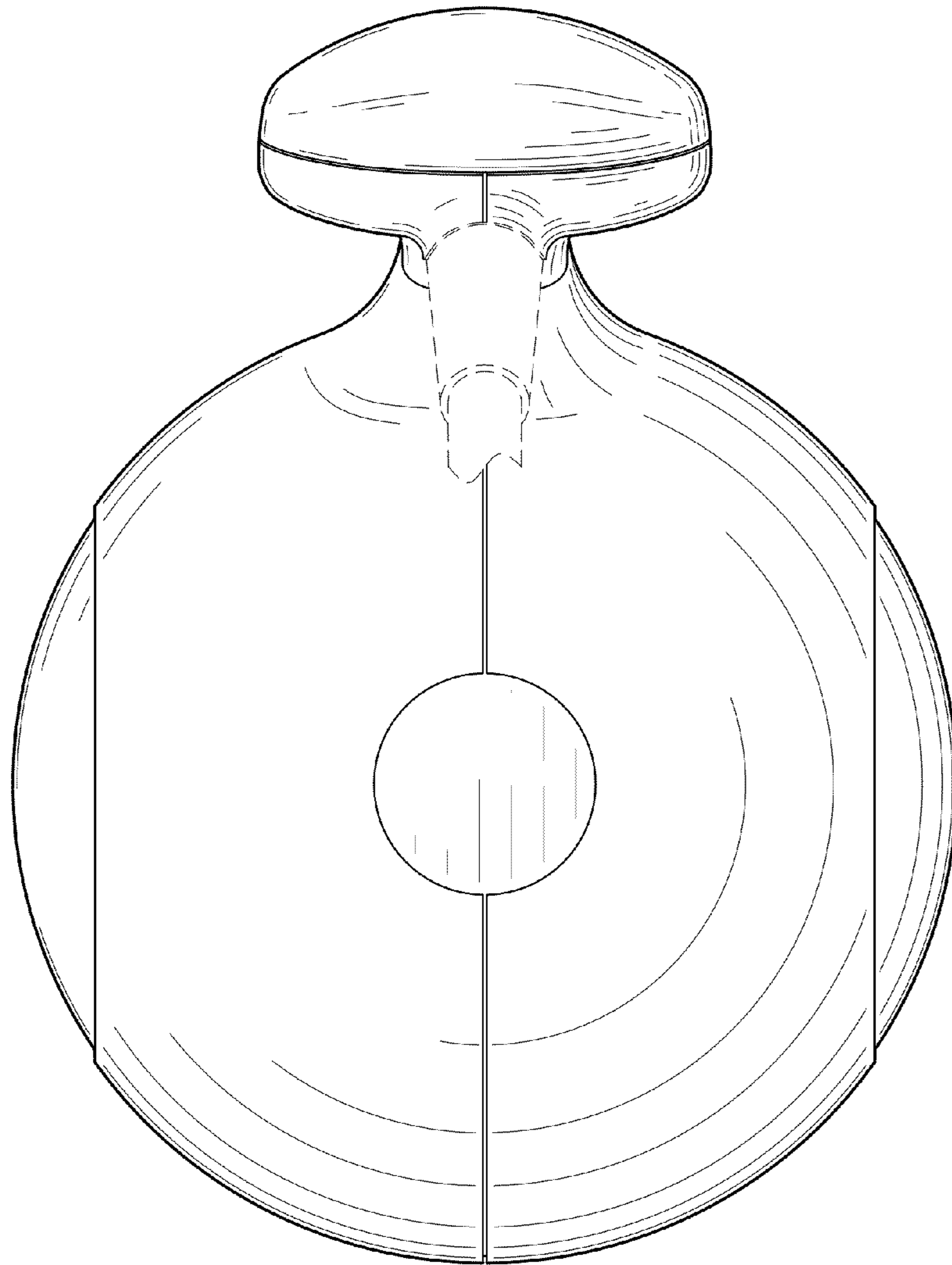


FIG.13

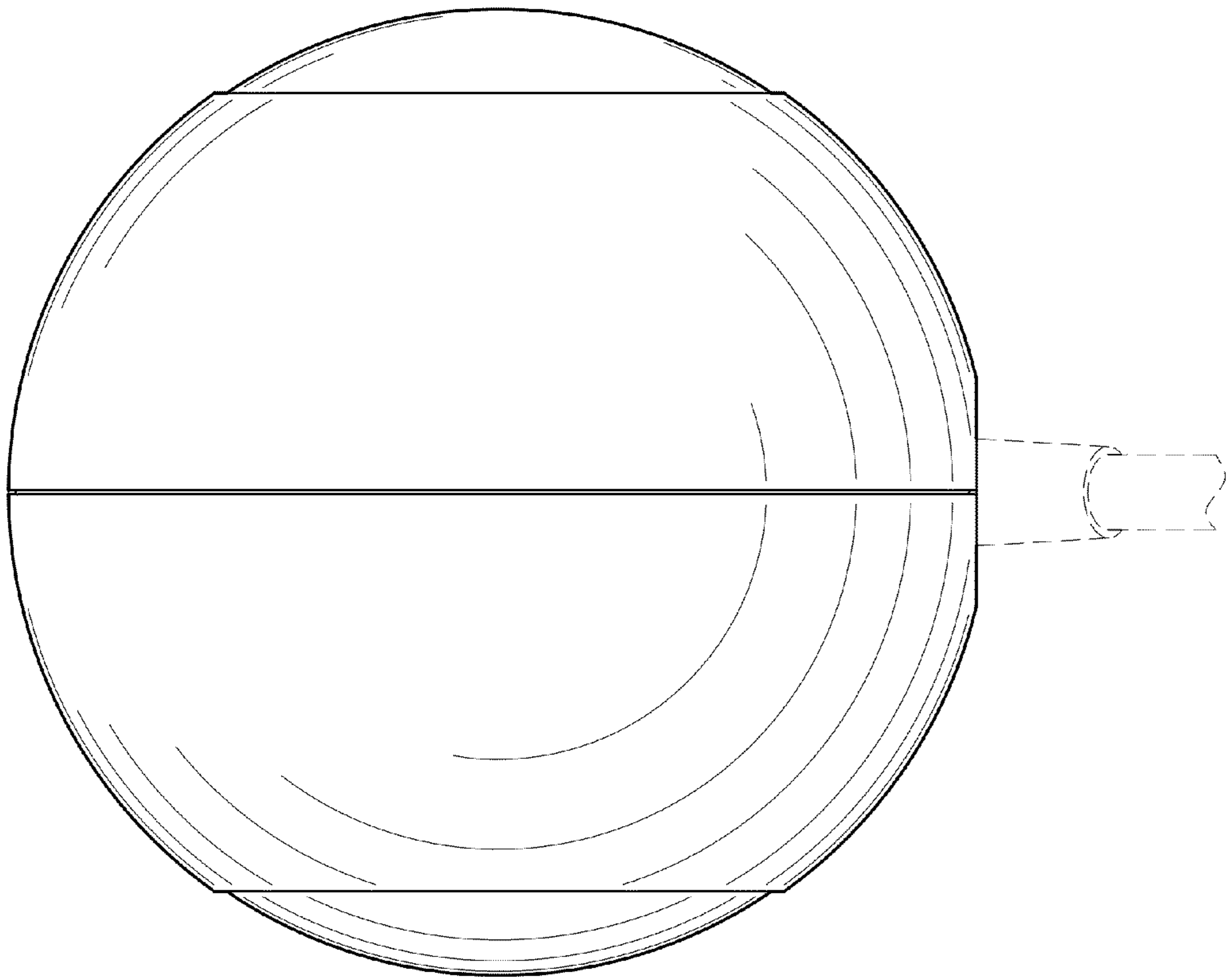


FIG.14