



US00D723522S

(12) **United States Design Patent**
Hong

(10) **Patent No.:** **US D723,522 S**
(45) **Date of Patent:** **** Mar. 3, 2015**

- (54) **SPEAKER**
- (71) Applicant: **Sony Corporation**, Tokyo (JP)
- (72) Inventor: **Zhongsheng Hong**, Beijing (CN)
- (73) Assignee: **Sony Corporation**, Tokyo (JP)
- (**) Term: **14 Years**
- (21) Appl. No.: **29/455,703**
- (22) Filed: **May 23, 2013**

(30) **Foreign Application Priority Data**

- Dec. 28, 2012 (EM) 002160150-0001
- Dec. 28, 2012 (EM) 002160150-0002
- Dec. 31, 2012 (CN) 2012 3 0663736

- (51) **LOC (10) Cl.** **14-03**
- (52) **U.S. Cl.**
USPC **D14/221**; D14/219; D14/216

- (58) **Field of Classification Search**
USPC D14/167, 168, 170–172, 188, 194–196,
D14/204, 207, 209.1, 210–216, 219, 221,
D14/222, 224, 257, 258, 496; 181/143, 144,
181/147, 148, 150, 153, 157, 198, 199;
381/300–303, 306, 332, 333, 336, 345,
381/361–364, 386–388; 369/6–12
See application file for complete search history.

(56) **References Cited**

U.S. PATENT DOCUMENTS

- D480,070 S 9/2003 Hakoda
- D488,801 S 4/2004 Shindo et al.
- D488,802 S 4/2004 Uehara et al.
- D489,359 S 5/2004 Hakoda
- D494,155 S 8/2004 Shindo et al.
- D503,701 S * 4/2005 Suzuki D14/511
- D522,497 S * 6/2006 Morisawa D14/221
- D523,422 S * 6/2006 Ishikawa et al. D14/221

- D525,236 S * 7/2006 Hibi D14/221
- D554,620 S * 11/2007 Shiono D14/216
- D582,896 S 12/2008 Yokoyama
- D589,943 S 4/2009 Yokoyama
- D593,542 S 6/2009 Kurihara
- D608,344 S * 1/2010 Oishi et al. D14/216
- D608,345 S * 1/2010 Oishi et al. D14/216
- D635,551 S 4/2011 Wada
- D635,553 S * 4/2011 Yagihashi et al. D14/216
- D672,337 S * 12/2012 Matsumura D14/219
- D676,020 S * 2/2013 Matsumura D14/204
- D678,867 S * 3/2013 Matsumura D14/216
- D680,100 S * 4/2013 Matsumura D14/216
- D712,879 S * 9/2014 Naito D14/221

* cited by examiner

Primary Examiner — Keli L Hill

(74) *Attorney, Agent, or Firm* — Rader, Fishman & Grauer PLLC

(57) **CLAIM**

The ornamental design for a speaker, as shown and described.

DESCRIPTION

FIG. 1 is a perspective view of a first embodiment of a speaker showing my new design;
 FIG. 2 is a front elevational view thereof;
 FIG. 3 is a rear elevational view thereof;
 FIG. 4 is a left side elevational view thereof;
 FIG. 5 is a right side elevational view thereof;
 FIG. 6 is a top plan view thereof;
 FIG. 7 is a perspective view of a second embodiment of a speaker showing my new design;
 FIG. 8 is a front elevational view thereof;
 FIG. 9 is a rear elevational view thereof;
 FIG. 10 is a left side elevational view thereof;
 FIG. 11 is a right side elevational view thereof; and,
 FIG. 12 is a top plan view thereof.
 The broken lines shown are included for the purpose of illustrating portions of the speaker that form no part of the claim.

1 Claim, 11 Drawing Sheets

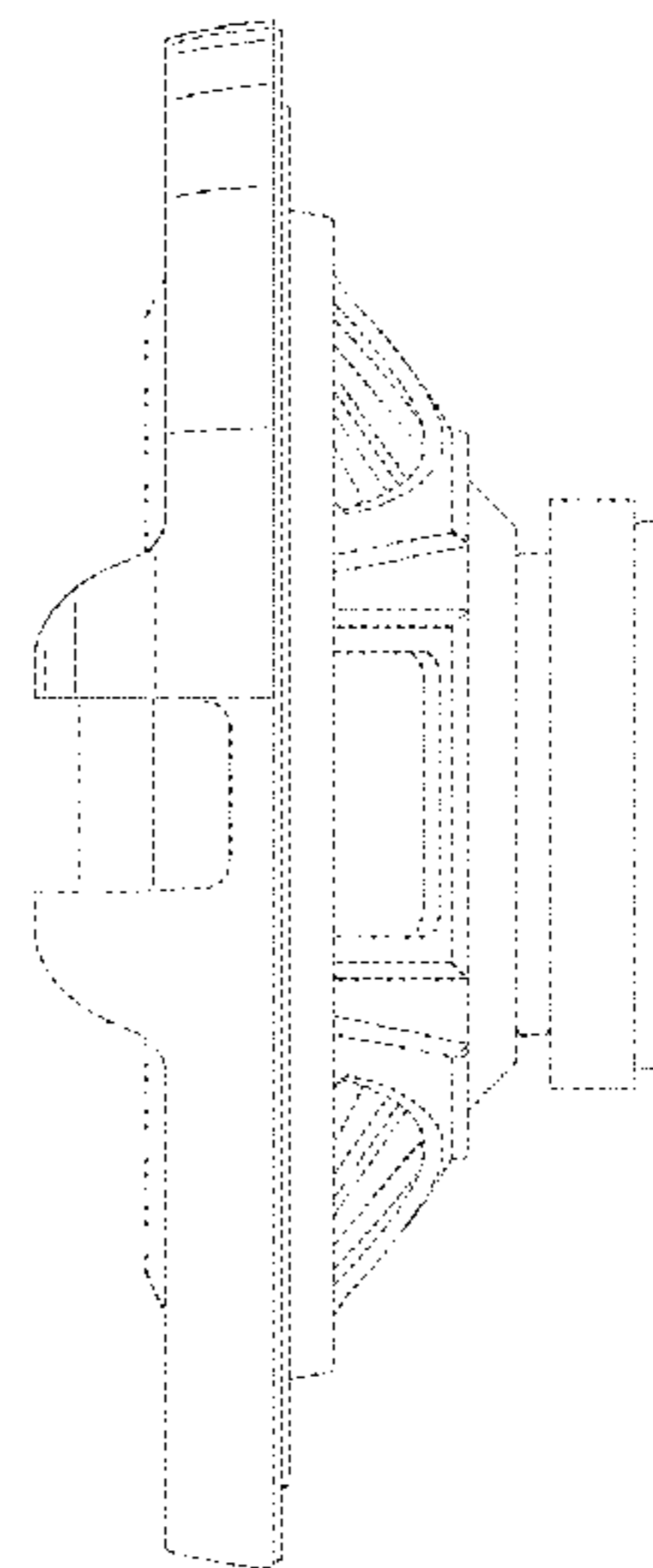
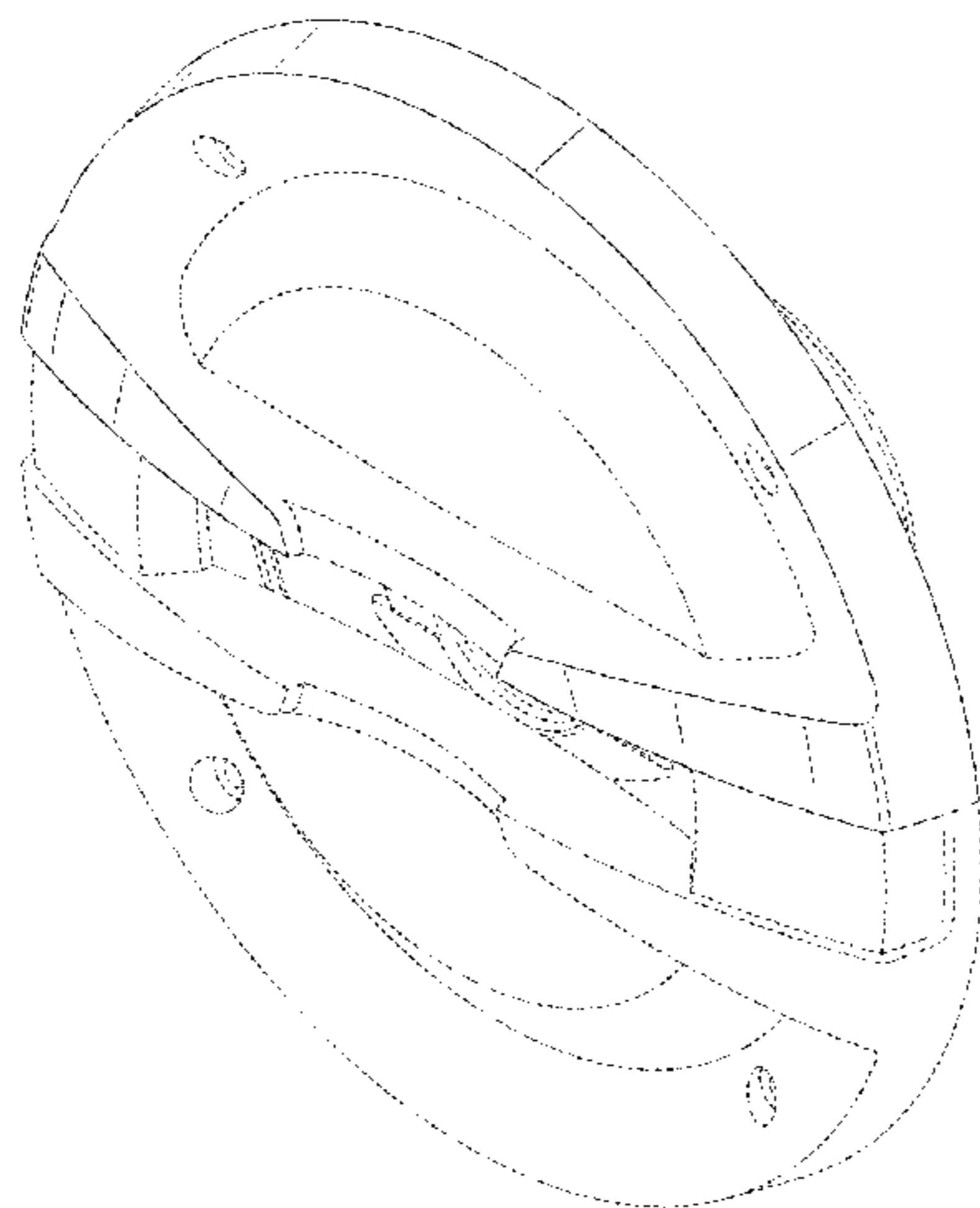


FIG.1

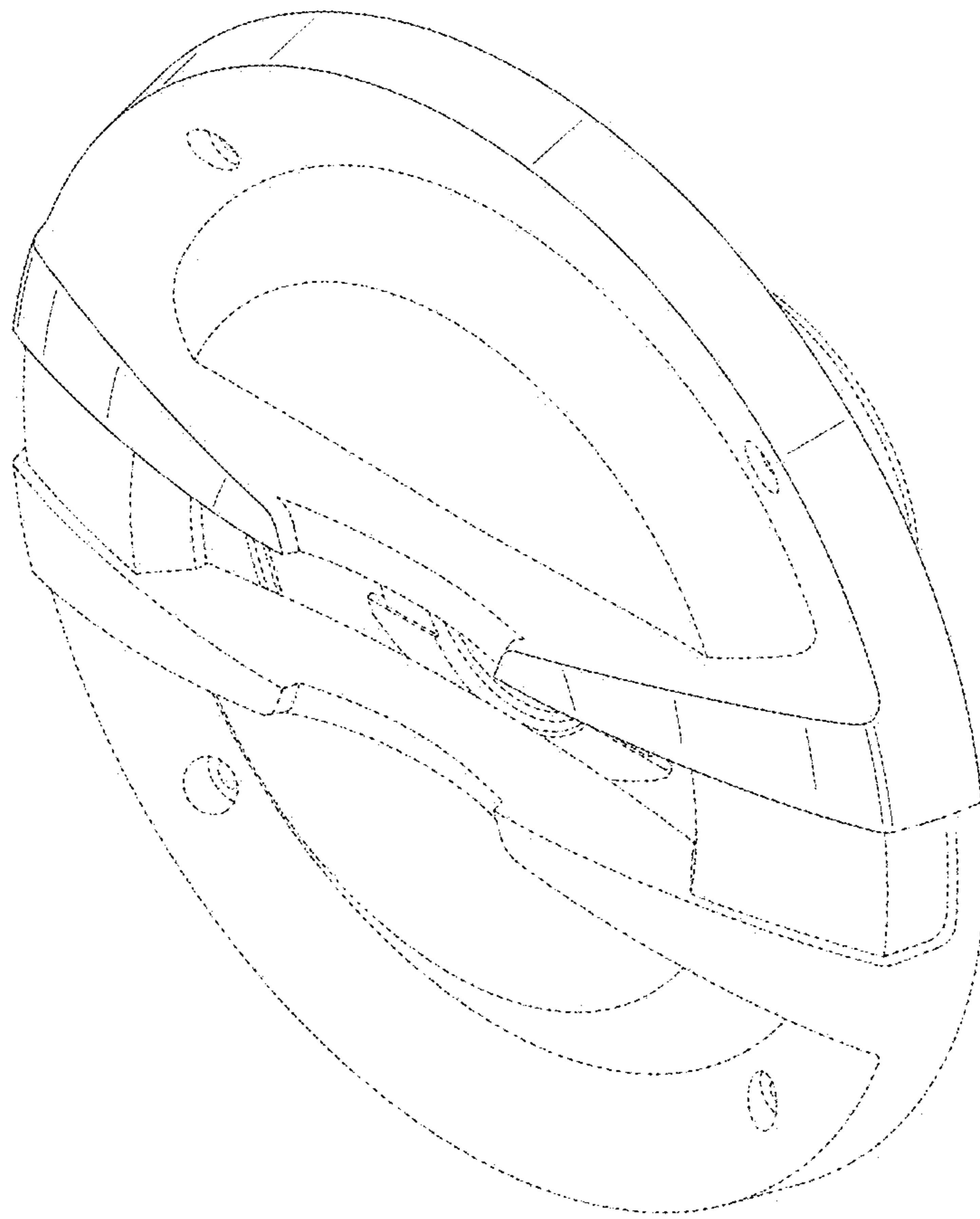


FIG.2

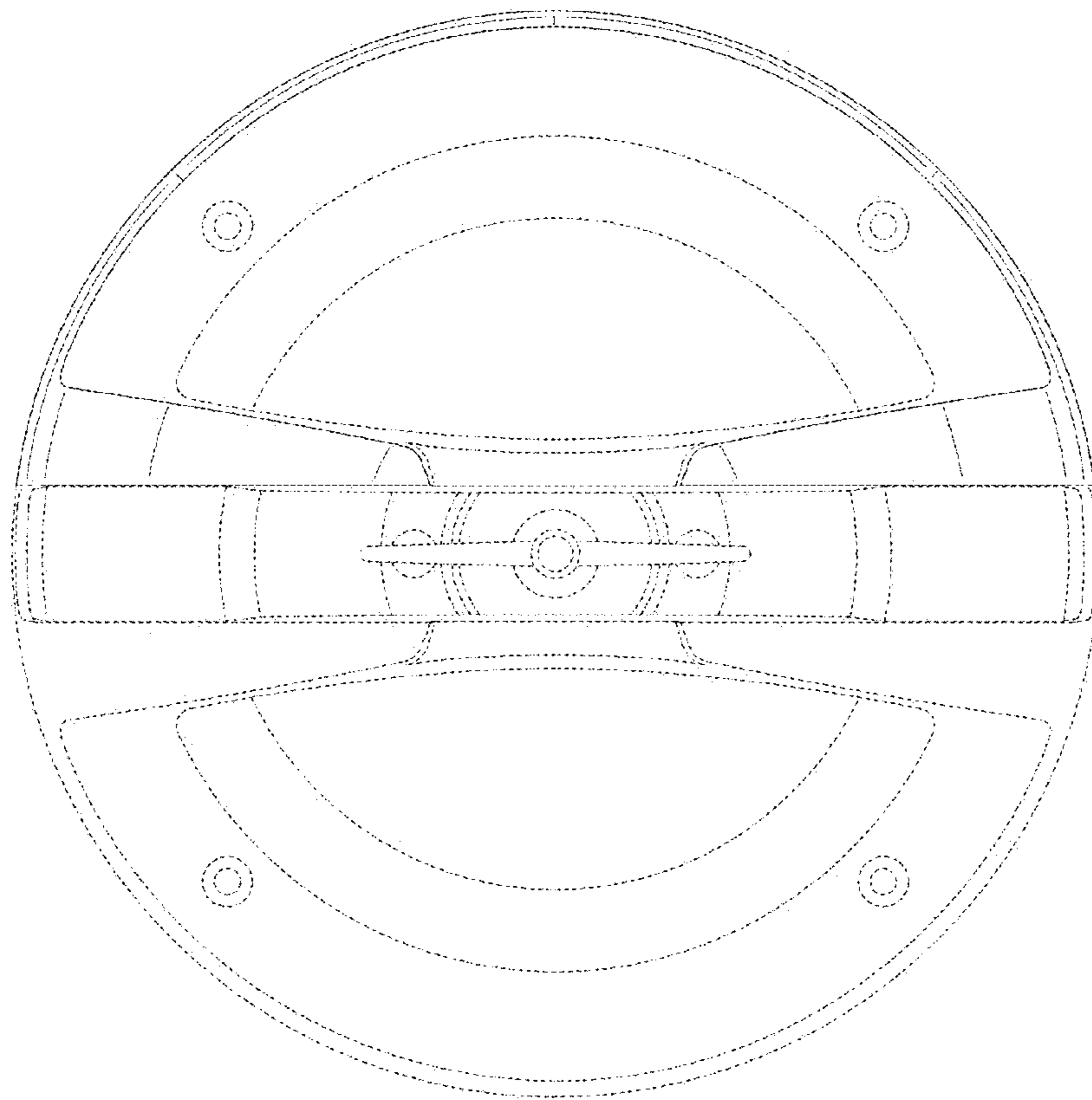


FIG.3

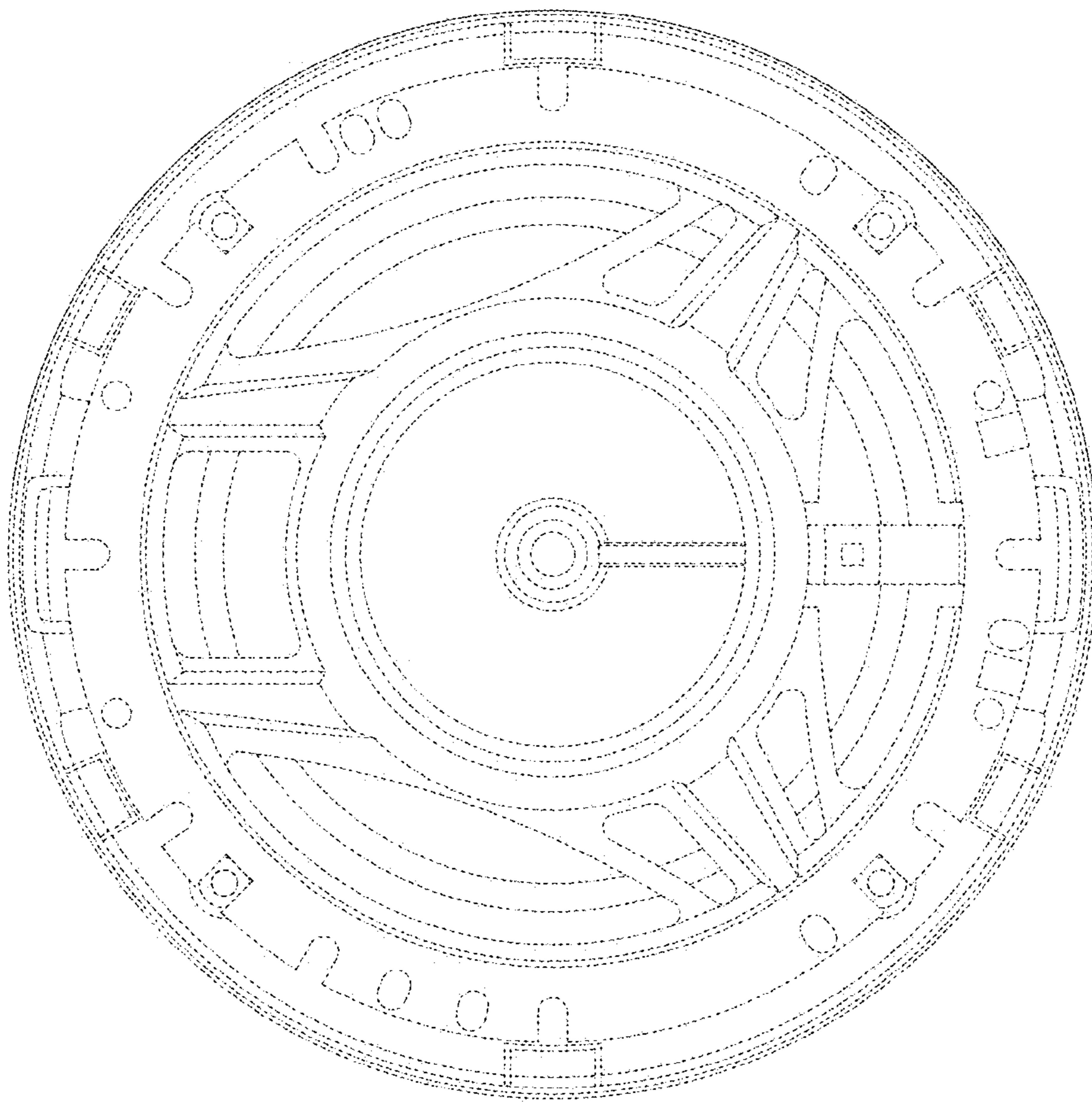


FIG.4

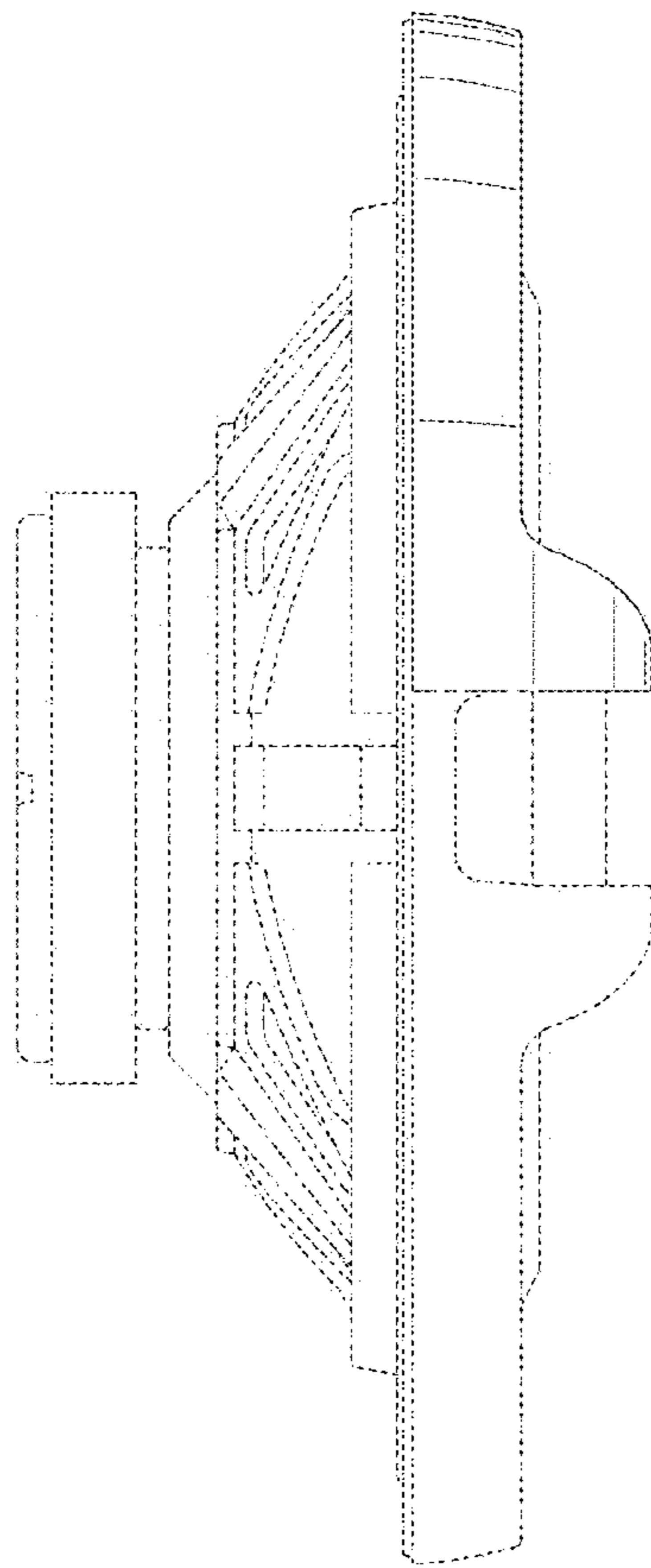


FIG.5

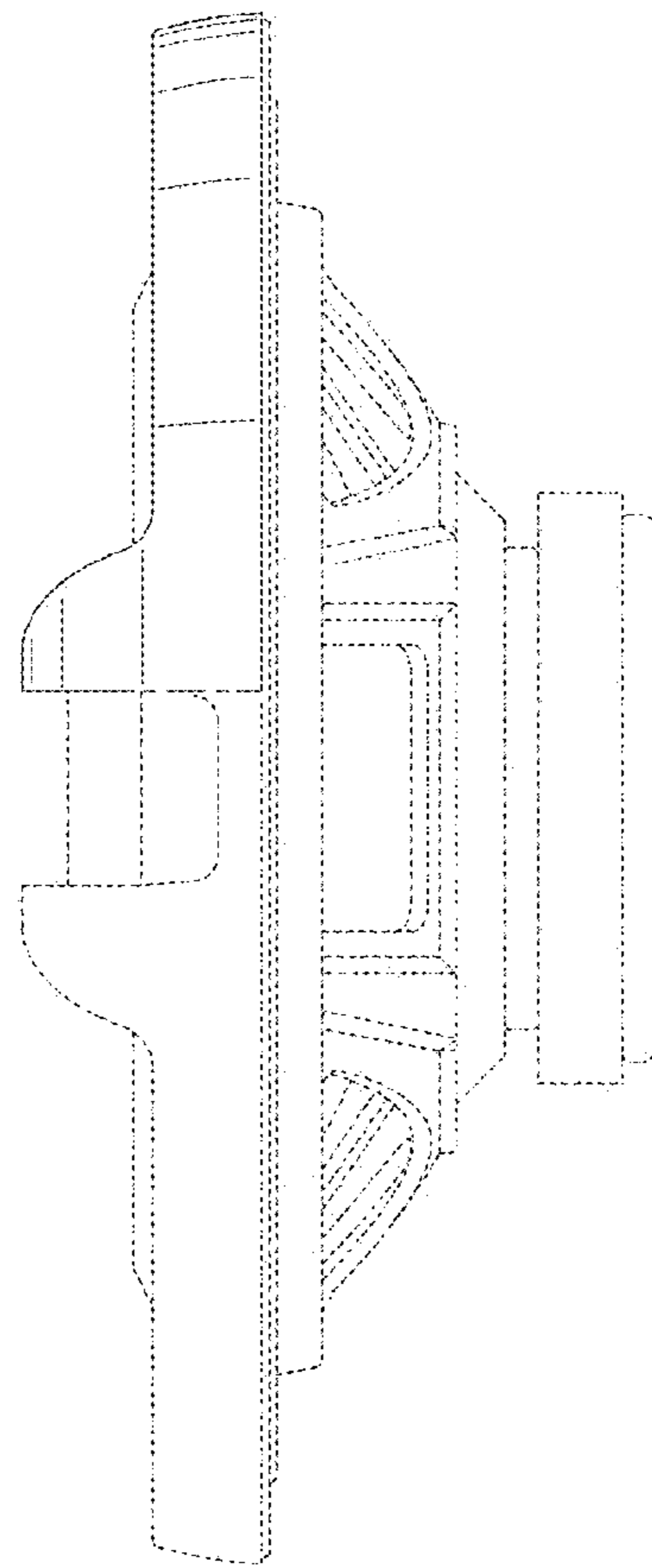


FIG.6

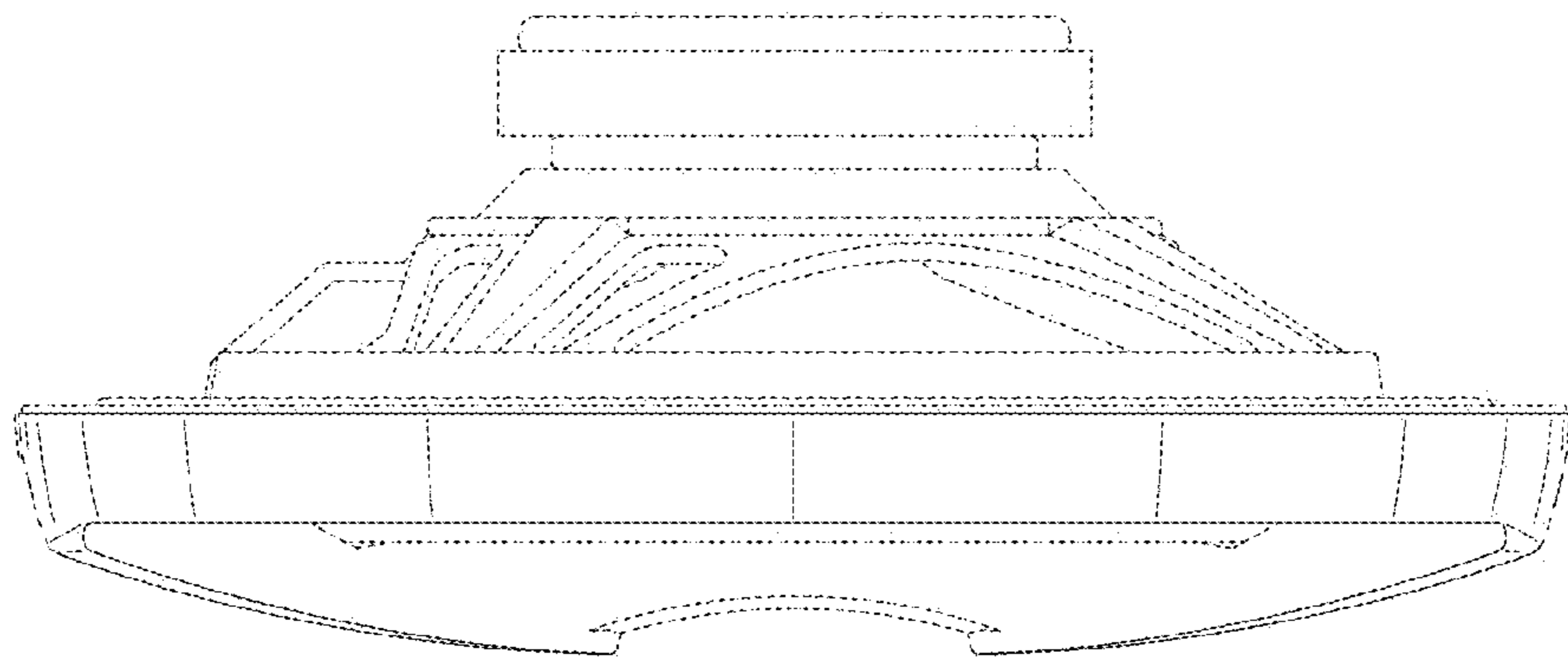


FIG. 7

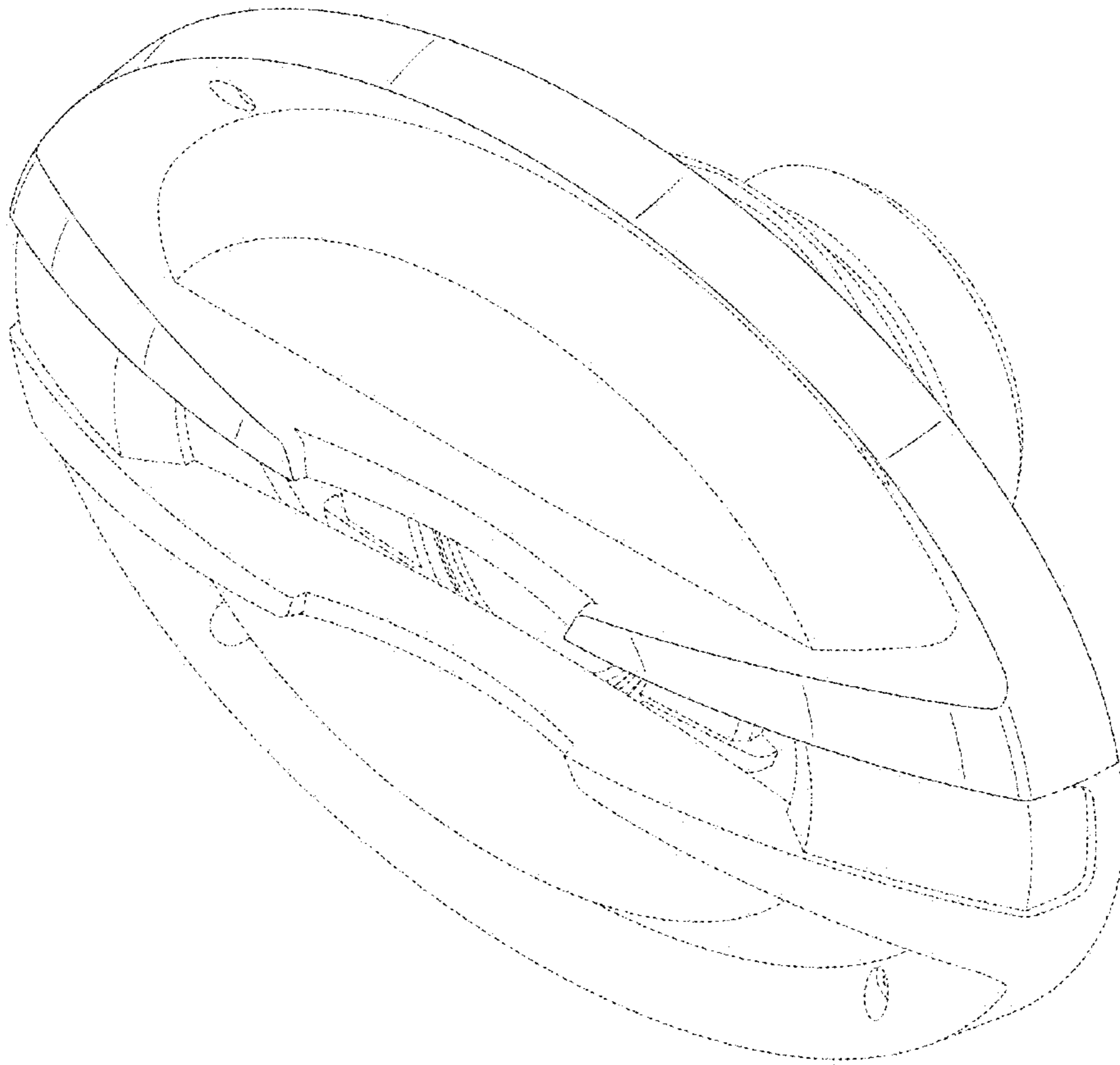


FIG.8

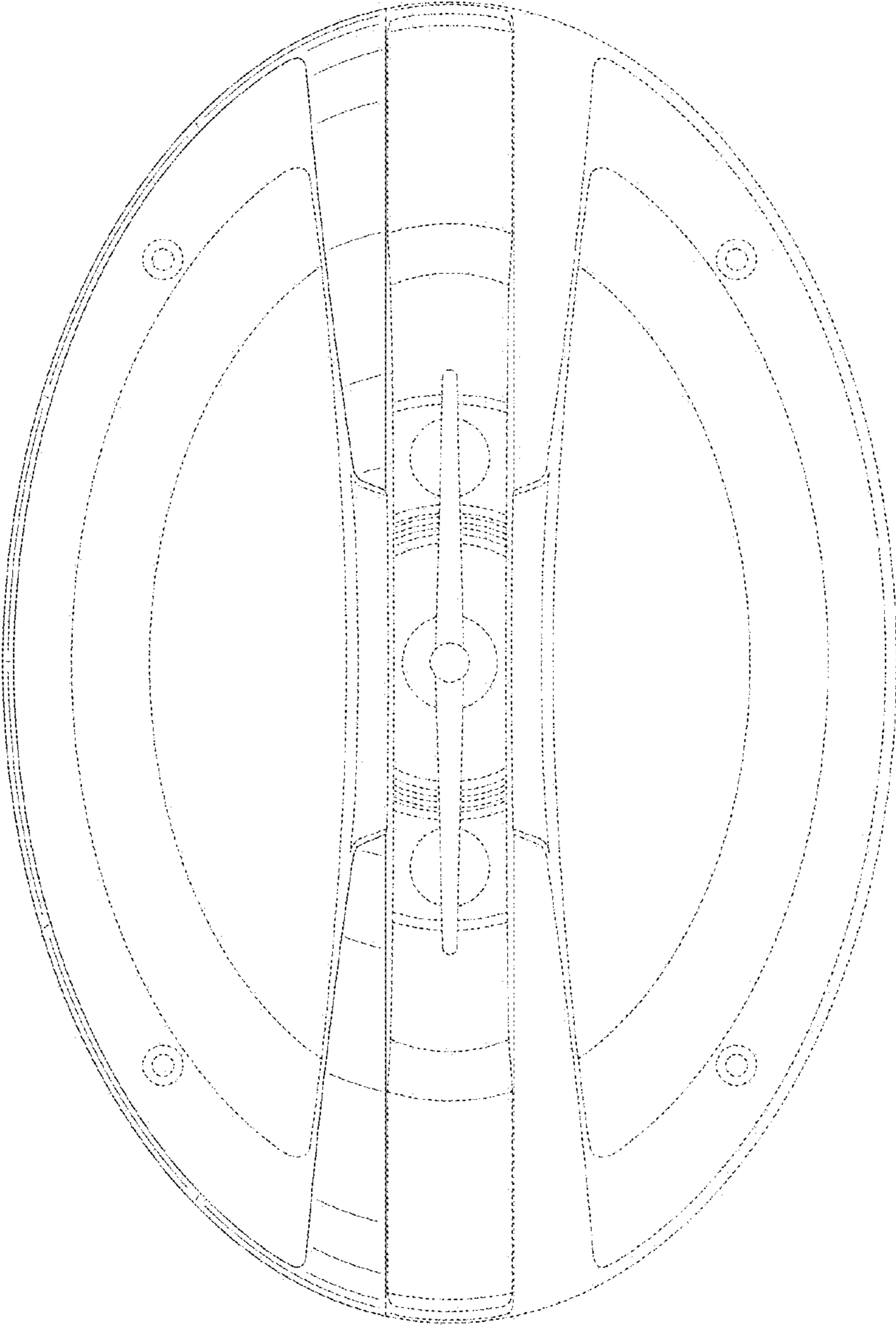


FIG.9

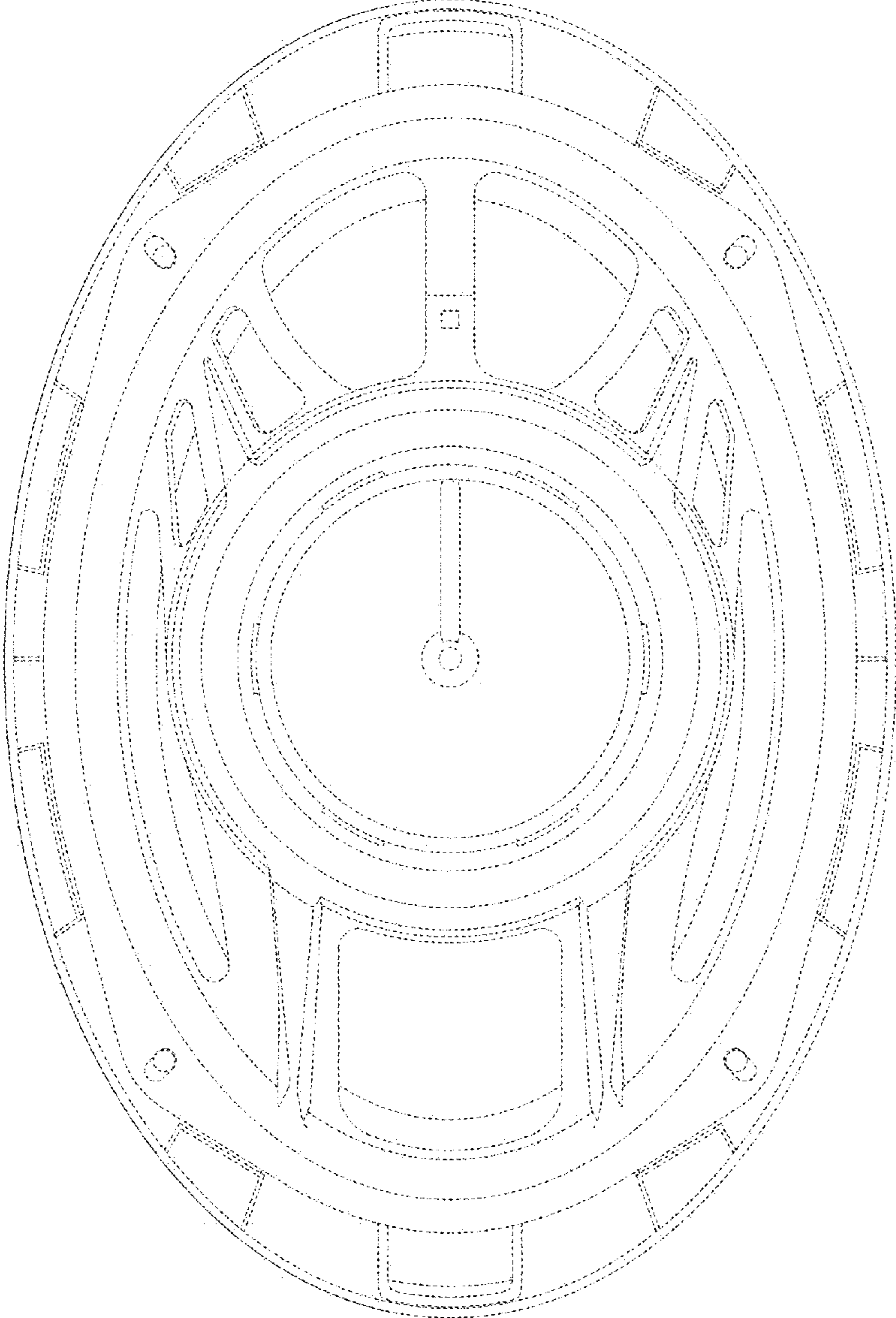


FIG. 10

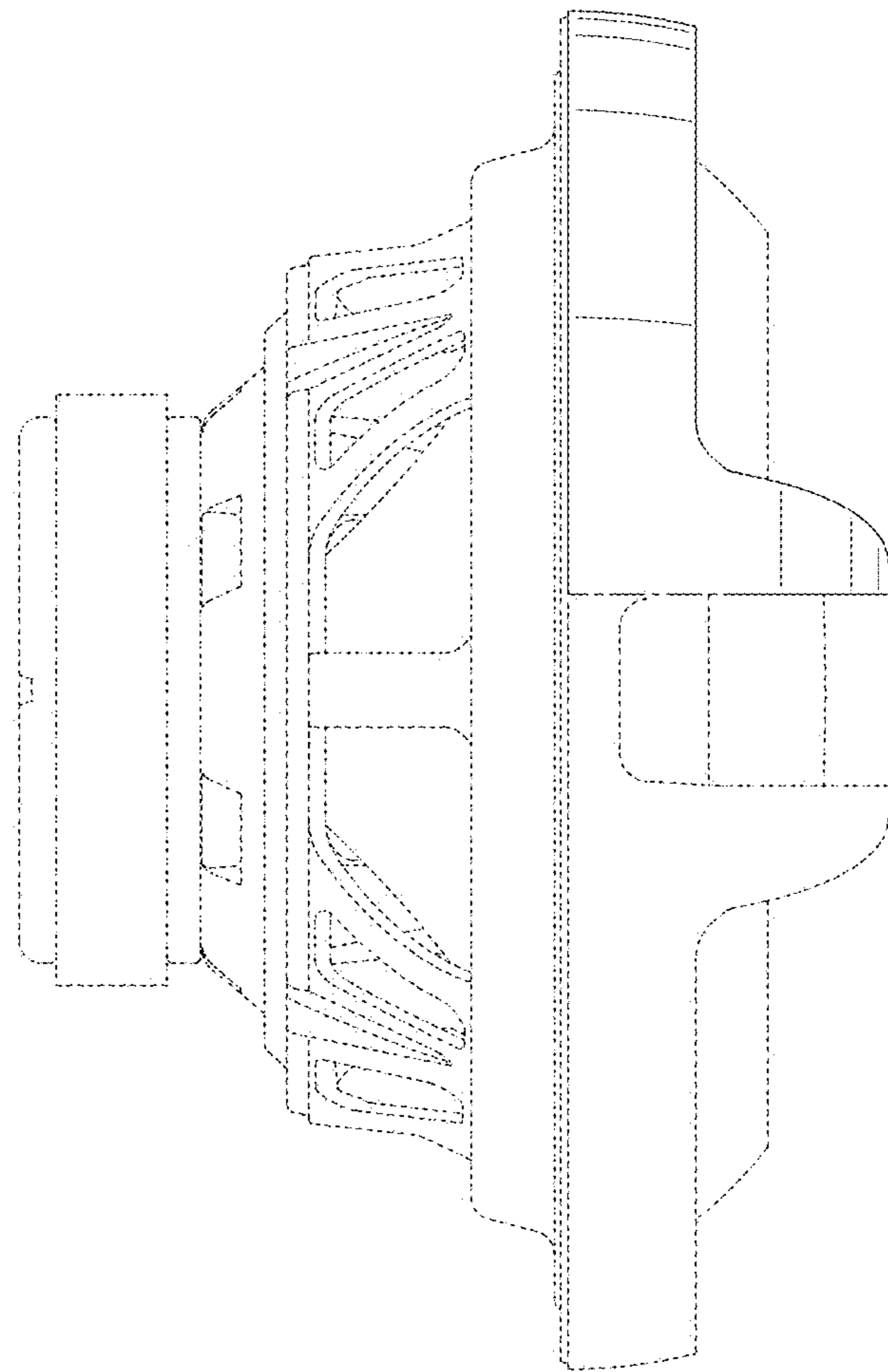


FIG.11

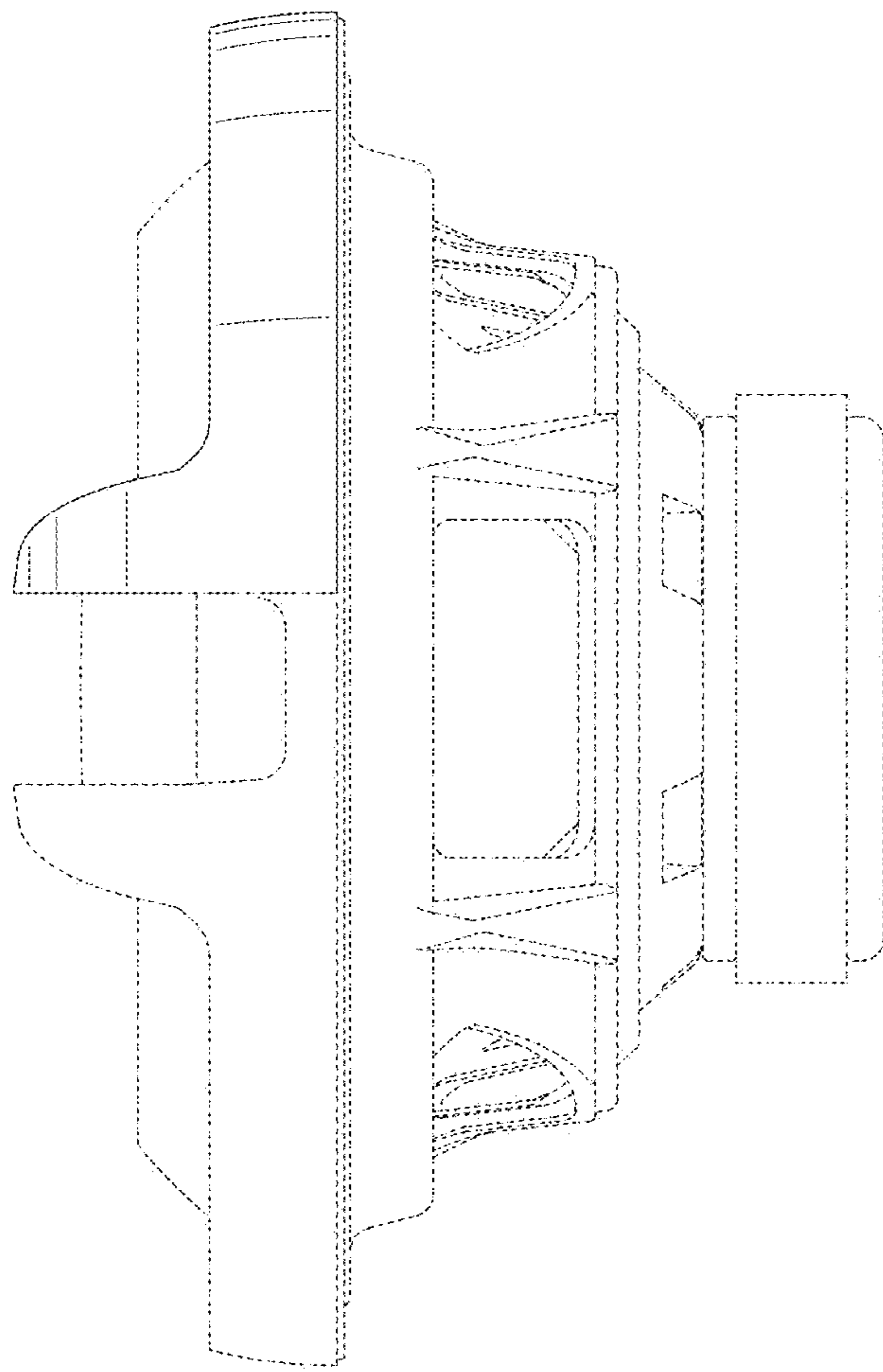


FIG.12

