



US00D723521S

(12) **United States Design Patent**
Chen et al.

(10) **Patent No.:** **US D723,521 S**
(45) **Date of Patent:** **** Mar. 3, 2015**

(54) **REMOTE CONTROL**

(71) Applicant: **Tatung Technology Inc., Taipei (TW)**

(72) Inventors: **Chun-Cheng Chen, Taipei (TW); Han-Chung Chang, Taipei (TW)**

(73) Assignee: **Tatung Technology Inc., Taipei (TW)**

(**) Term: **14 Years**

(21) Appl. No.: **29/503,803**

(22) Filed: **Sep. 30, 2014**

(51) **LOC (10) Cl.** **14-03**

(52) **U.S. Cl.**
USPC **D14/218**

(58) **Field of Classification Search**
USPC D14/218, 137-139, 174, 151, 191-193, D14/299, 167, 168, 221; D13/168, D13/162-164; D21/512-517, 566; D10/104, 106; 455/352-355, 455/151.1-151.4, 128, 347, 90.3; 348/114, 348/734

See application file for complete search history.

D526,967 S * 8/2006 Hoehn et al. D13/168
D533,543 S * 12/2006 Bell D14/218
D538,192 S * 3/2007 Martin D10/106.1
D546,807 S * 7/2007 Lee D14/138 AA
D573,982 S * 7/2008 Monsky D14/218
D574,282 S * 8/2008 Hill D10/104.1
D574,373 S * 8/2008 Tang D14/247
D585,052 S * 1/2009 Mamane et al. D14/218
D595,668 S * 7/2009 Lasky et al. D13/168
D602,474 S * 10/2009 Hansen et al. D14/218
D604,039 S * 11/2009 Fleming D3/207
D614,605 S * 4/2010 Teh et al. D14/218
D615,531 S * 5/2010 Shibukawa et al. D14/218
D656,104 S * 3/2012 Cook D13/168
D656,651 S * 3/2012 Gorman D26/47
D687,392 S * 8/2013 McCullar et al. D13/168
D697,057 S * 1/2014 Kwon et al. D14/218
D699,223 S * 2/2014 Maier et al. D14/218
D709,480 S * 7/2014 Kim D14/218

* cited by examiner

Primary Examiner — John Windmuller
(74) *Attorney, Agent, or Firm* — Bacon & Thomas, PLLC

(57) **CLAIM**
The ornamental design for a remote control, as shown and described.

DESCRIPTION

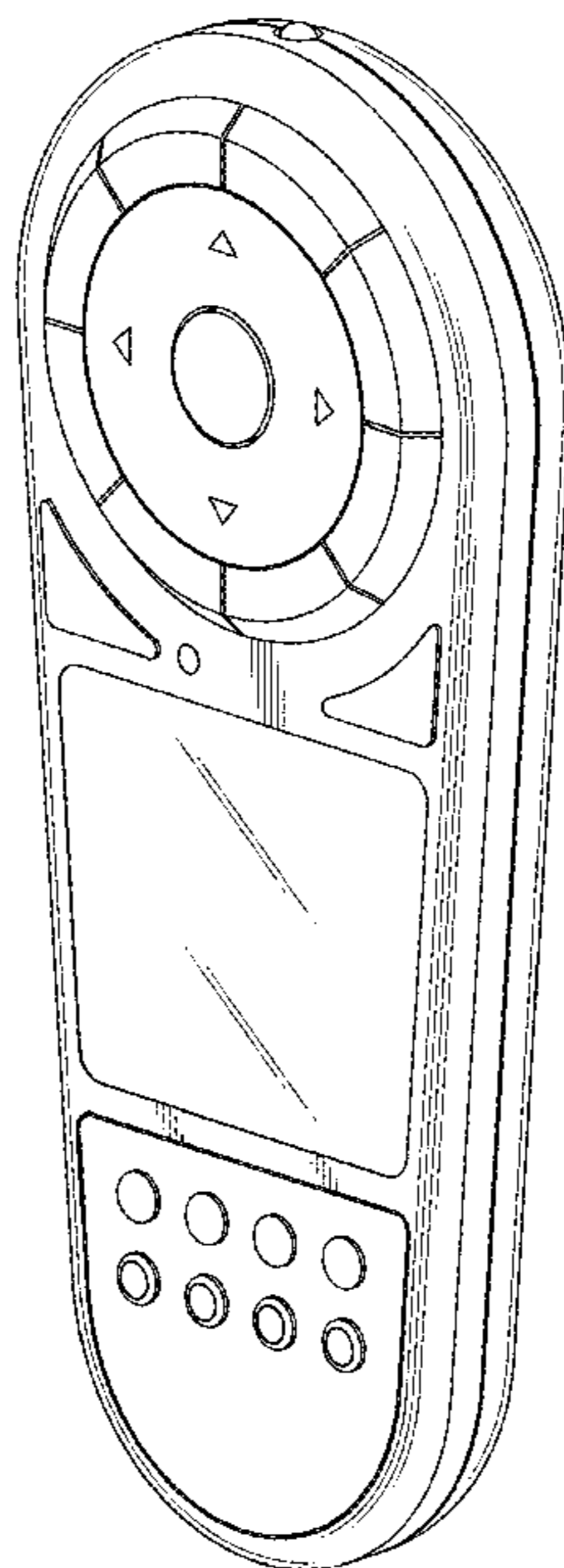
FIG. 1 is a top, front, and right perspective view of a remote control showing our new design;
FIG. 2 is a front side view thereof;
FIG. 3 is a rear side view thereof;
FIG. 4 is a left side view thereof,
FIG. 5 is a right side view thereof;
FIG. 6 is a top plan view thereof; and,
FIG. 7 is a bottom plan view thereof.

1 Claim, 5 Drawing Sheets

(56) **References Cited**

U.S. PATENT DOCUMENTS

D363,287 S * 10/1995 Laituri D14/218
5,457,448 A * 10/1995 Totsuka et al. 340/12.5
D365,102 S * 12/1995 Gioscia D14/218
D383,462 S * 9/1997 Martz et al. D14/218
5,685,185 A * 11/1997 MacDonald 70/459
D459,314 S * 6/2002 Flick D13/168
D485,828 S * 1/2004 Olson et al. D14/218
D513,236 S * 12/2005 Hunt et al. D13/168
D523,236 S * 6/2006 Martin D3/209



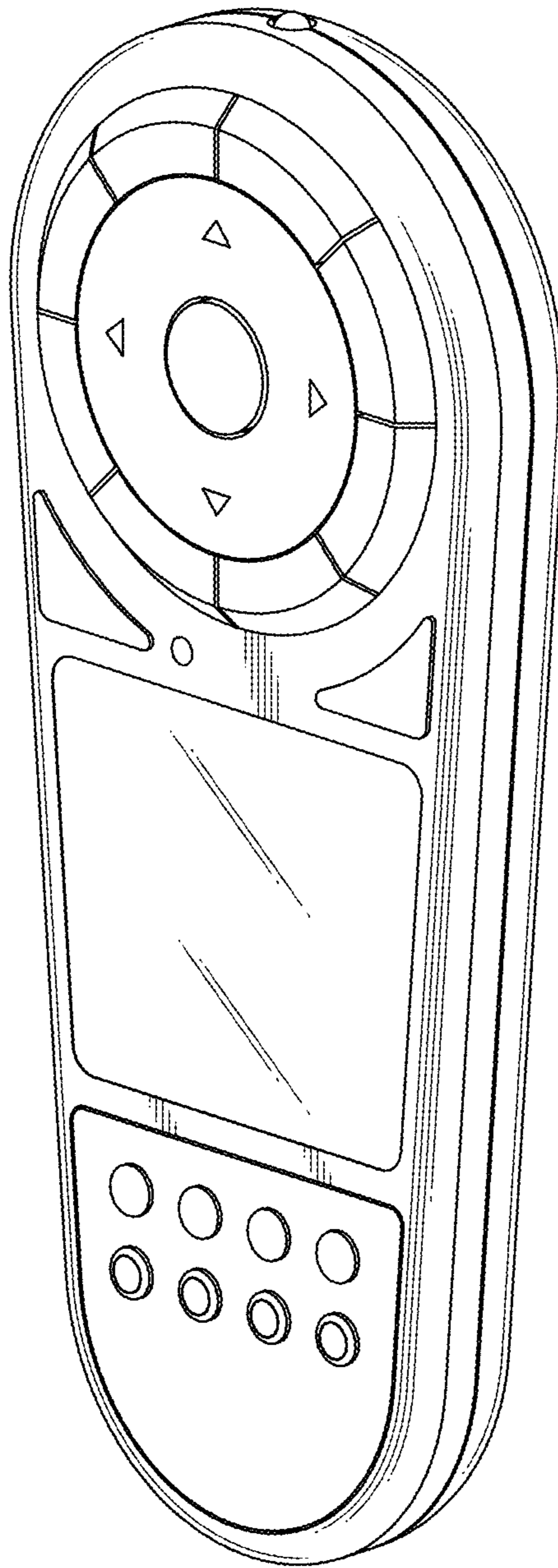


FIG. 1

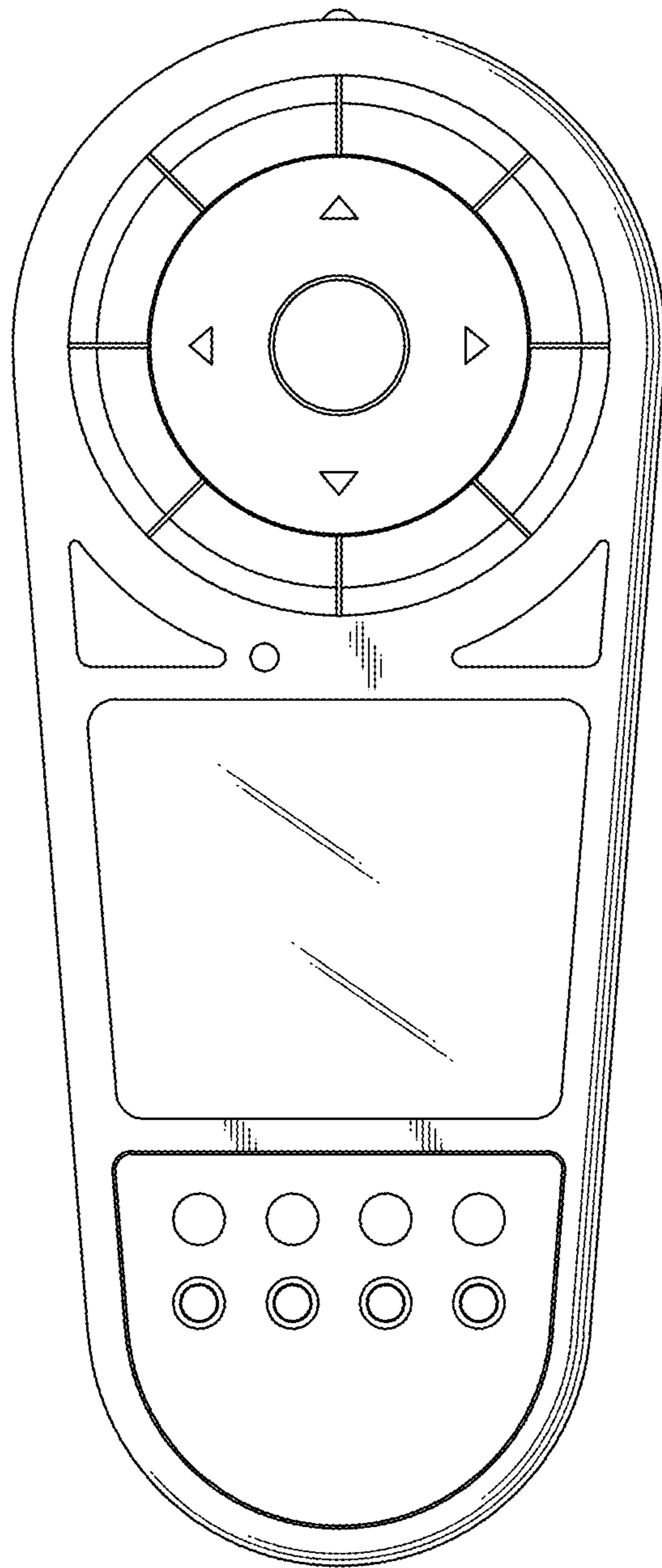


FIG. 2

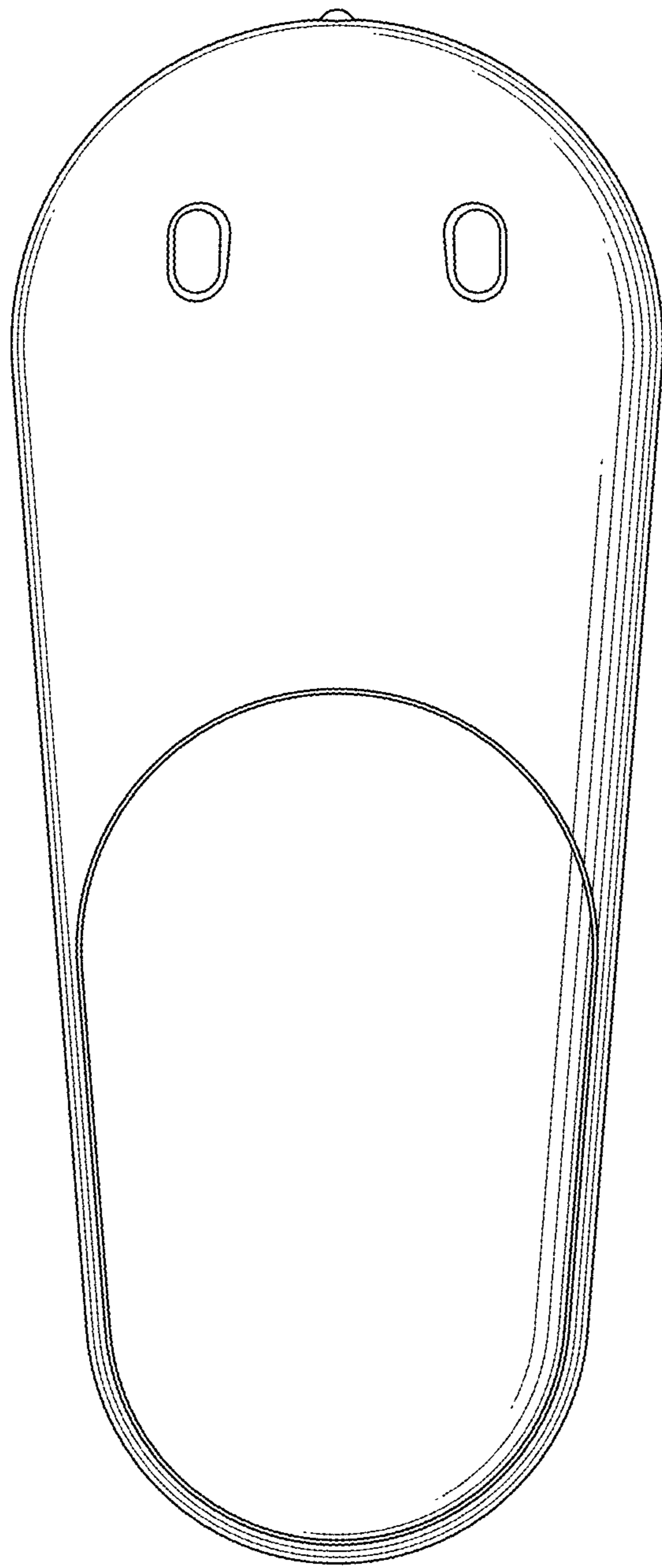


FIG. 3

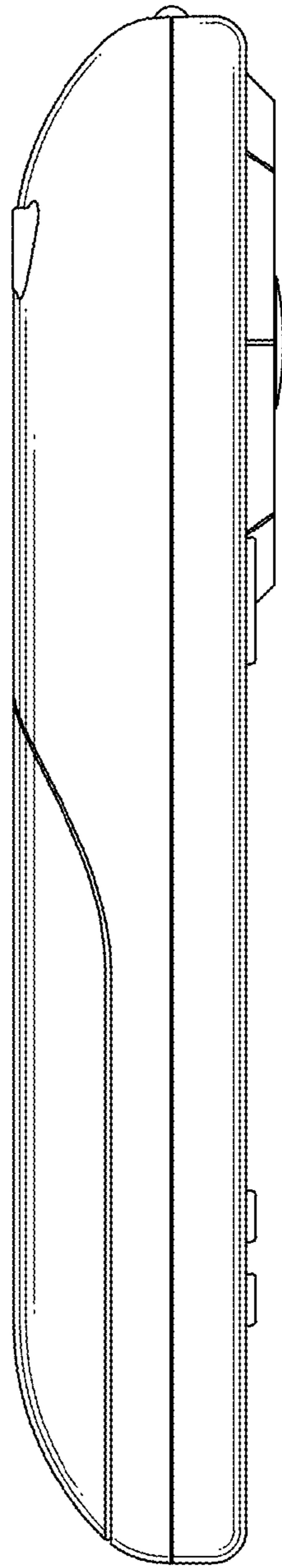


FIG. 4

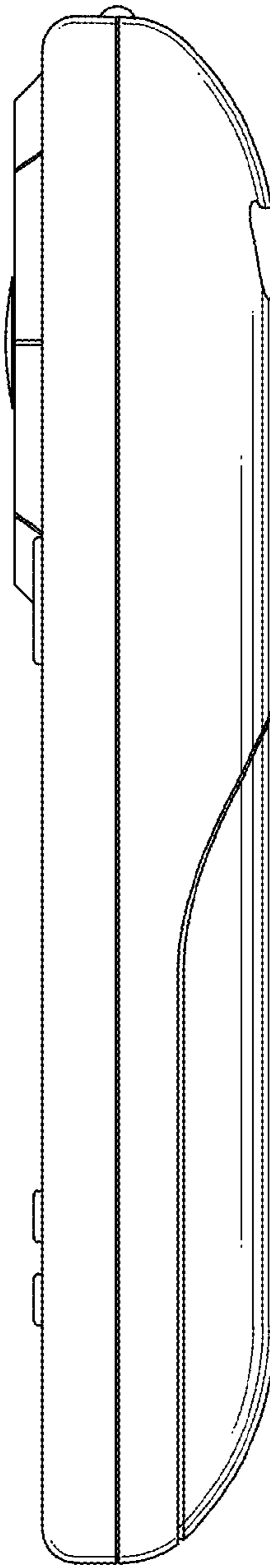


FIG. 5

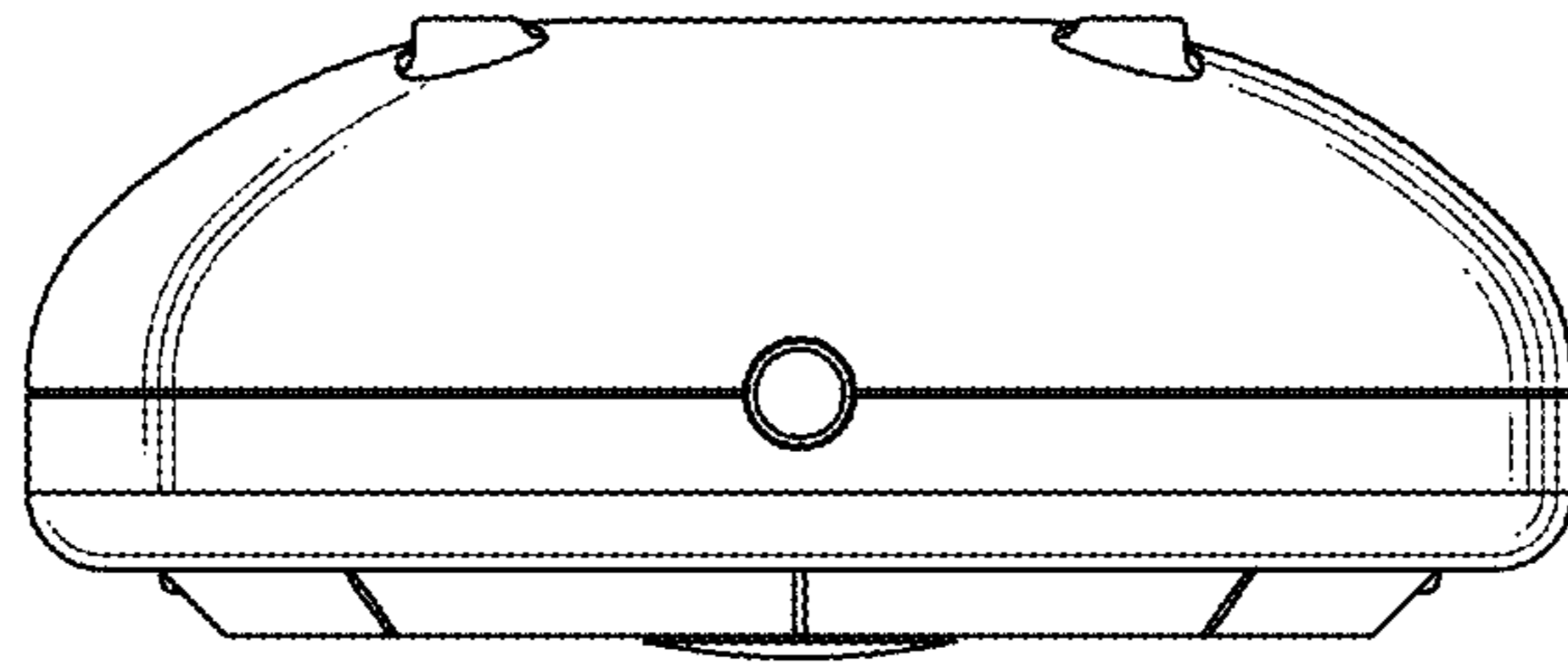


FIG. 6

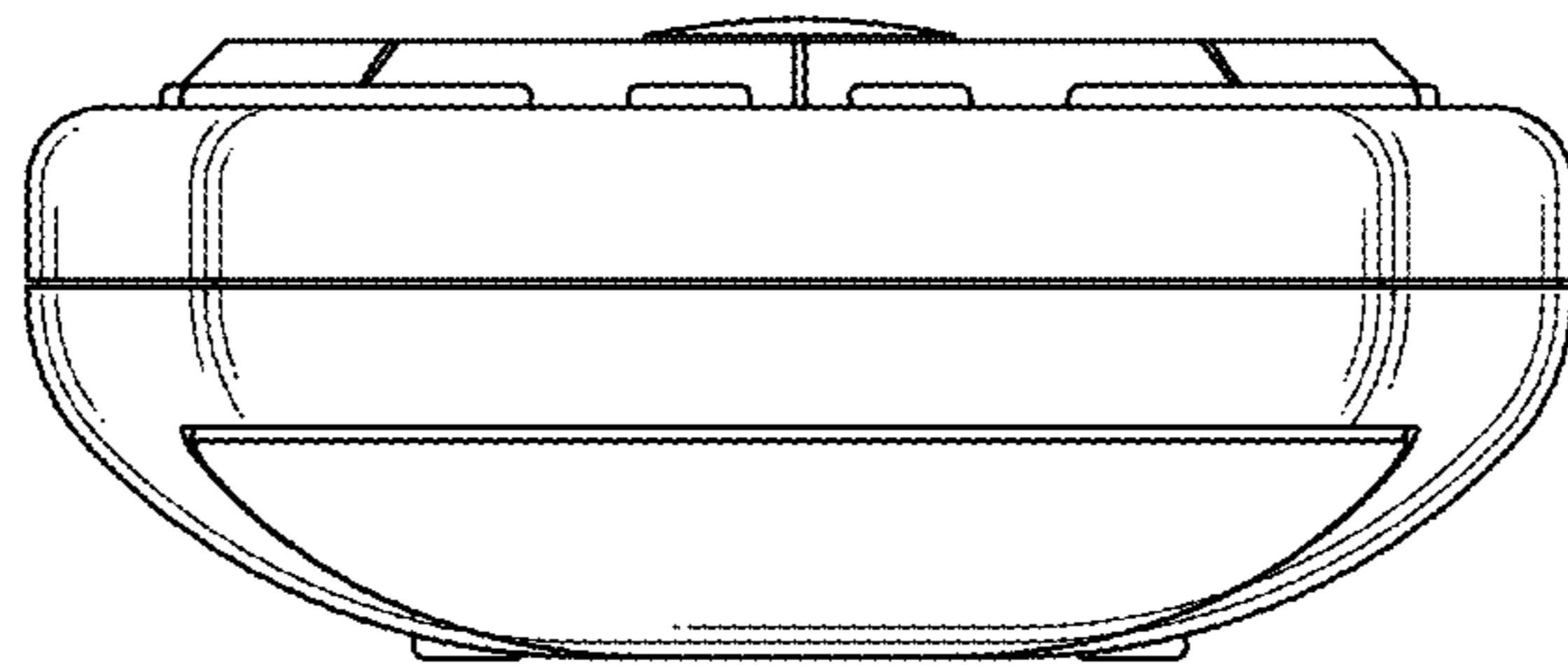


FIG. 7