



US00D723518S

(12) **United States Design Patent**
Moon et al.

(10) **Patent No.:** **US D723,518 S**
(45) **Date of Patent:** **** Mar. 3, 2015**

(54) **SPEAKER**

(71) Applicant: **Samsung Electronics Co., Ltd.**,
Suwon-Si, Gyeonggi-Do (KR)
(72) Inventors: **Sinwi Moon**, Jeju (KR); **Sungjin Ann**,
Seoul (KR)
(73) Assignee: **Samsung Electronics Co., Ltd.**,
Gyeonggi-do (KR)
(**) Term: **14 Years**

(21) Appl. No.: **29/458,011**
(22) Filed: **Jun. 14, 2013**

(30) **Foreign Application Priority Data**
Dec. 18, 2012 (KR) 30-2012-0061152

(51) **LOC (10) Cl.** **14-03**
(52) **U.S. Cl.**
USPC **D14/215**

(58) **Field of Classification Search**
USPC D14/167, 168, 170-172, 188, 194-196,
D14/204, 207, 209.1, 210-216, 219, 221,
D14/222, 224, 496; 181/143, 144, 147, 148,
181/150, 153, 157, 198, 199; 381/300-303,
381/306, 332, 333, 336, 345, 361-364,
381/386-388; 369/6-12

See application file for complete search history.

(56) **References Cited**

U.S. PATENT DOCUMENTS

D221,441 S *	8/1971	Ishikawa	D14/214
D265,823 S *	8/1982	Hartwein	D14/214
D436,946 S *	1/2001	Lin	D14/215
D480,068 S *	9/2003	Shin	D14/215
D516,544 S *	3/2006	Motoishi	D14/215
D519,105 S *	4/2006	Masui	D14/214
D542,276 S *	5/2007	Hibino	D14/215
D542,278 S *	5/2007	Yan	D14/215
D544,855 S *	6/2007	Hibino	D14/215
D672,750 S *	12/2012	Lee	D14/215

* cited by examiner

Primary Examiner — Keli L Hill

(74) *Attorney, Agent, or Firm* — Harness, Dickey & Pierce,
P.L.C.

(57) **CLAIM**

The ornamental design for a speaker, as shown and described.

DESCRIPTION

FIG. 1 is the perspective view of a speaker, embodying our new design;
FIG. 2 is the front view thereof;
FIG. 3 is the rear view thereof;
FIG. 4 is the left-side view thereof;
FIG. 5 is the right-side view thereof;
FIG. 6 is the top plan view thereof; and,
FIG. 7 is the bottom plan view thereof.
The broken lines shown are included for the purpose of illustrating portions of the speaker that form no part of the claim.

1 Claim, 7 Drawing Sheets

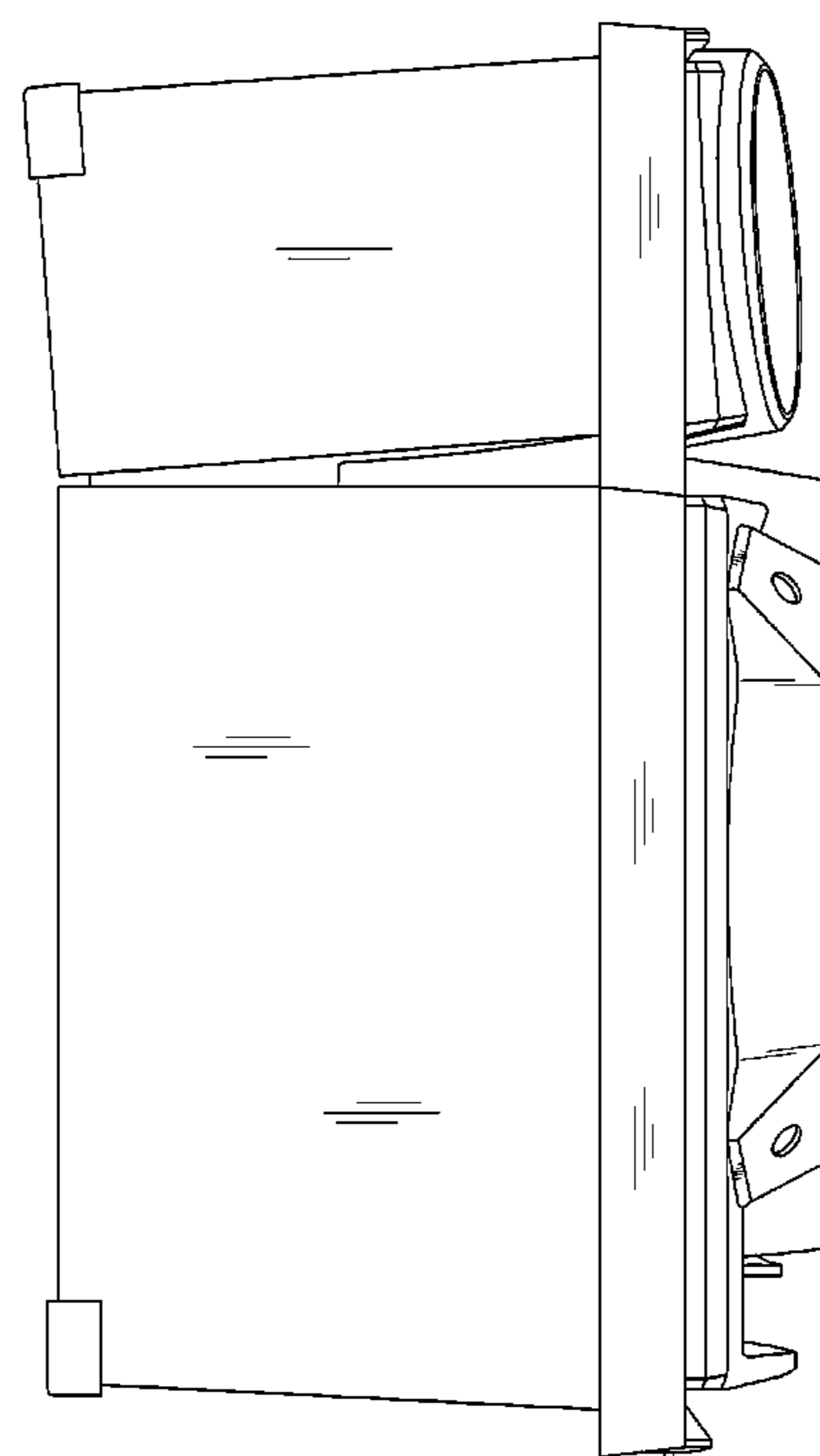
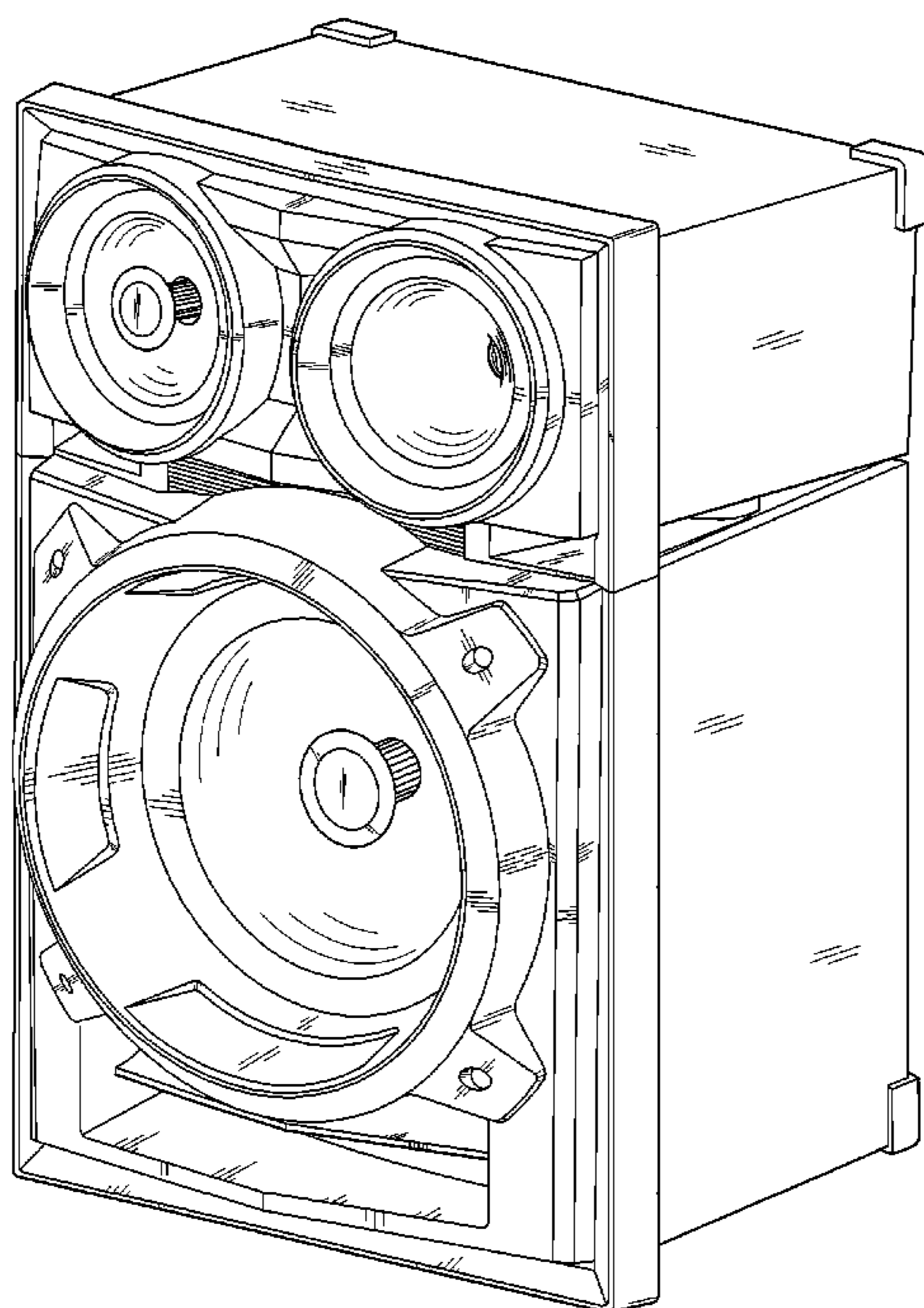


FIG. 1

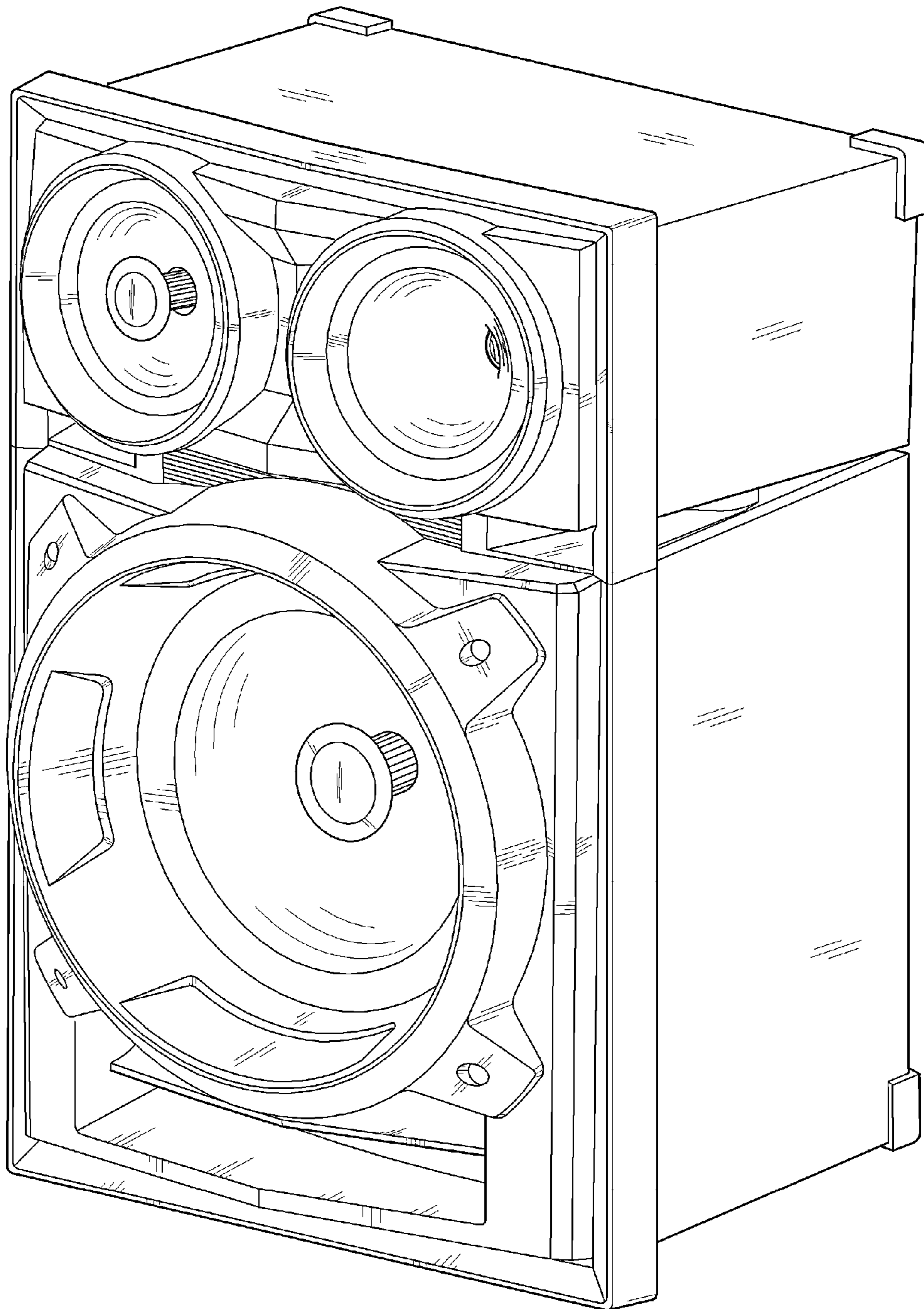


FIG. 2

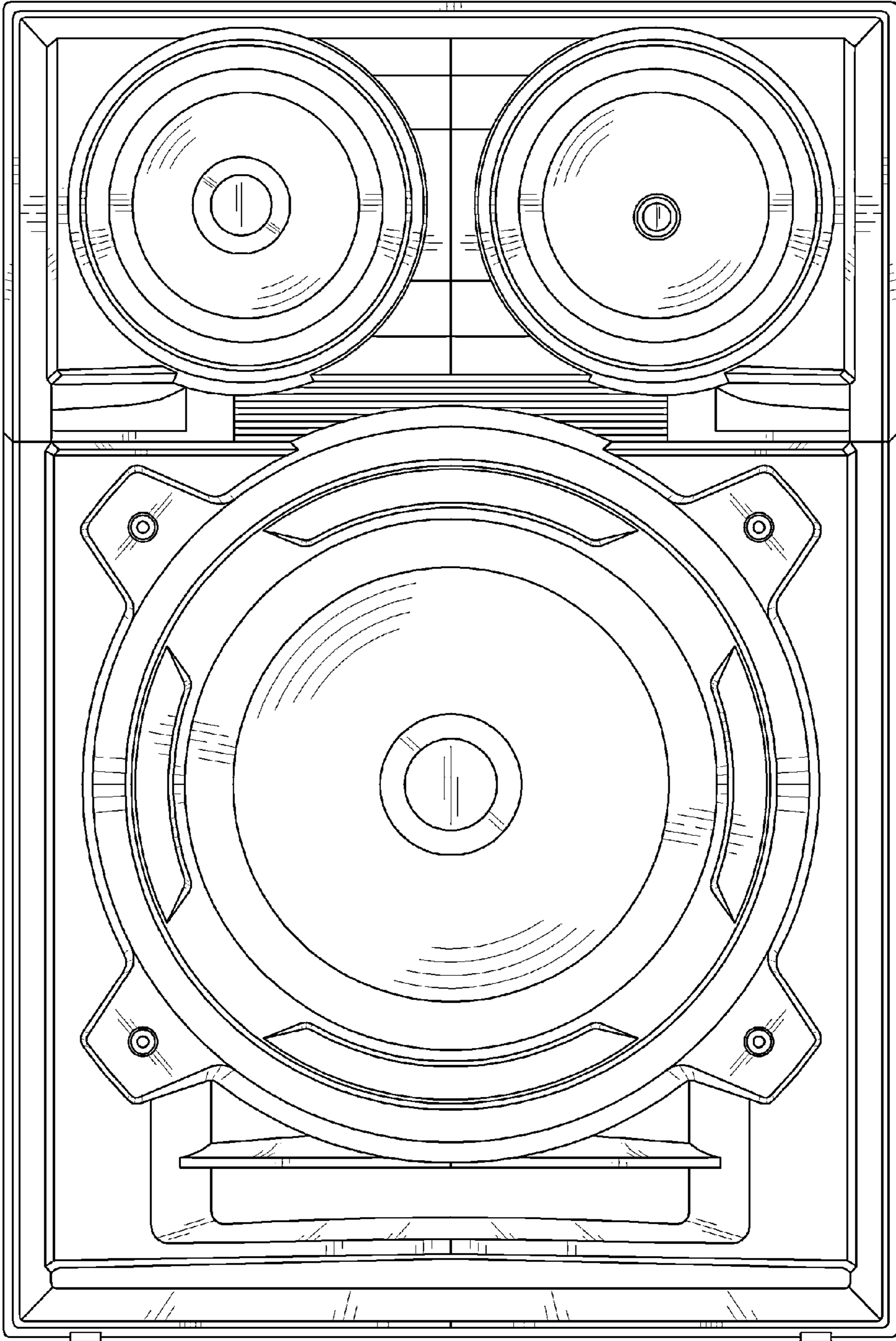


FIG. 3

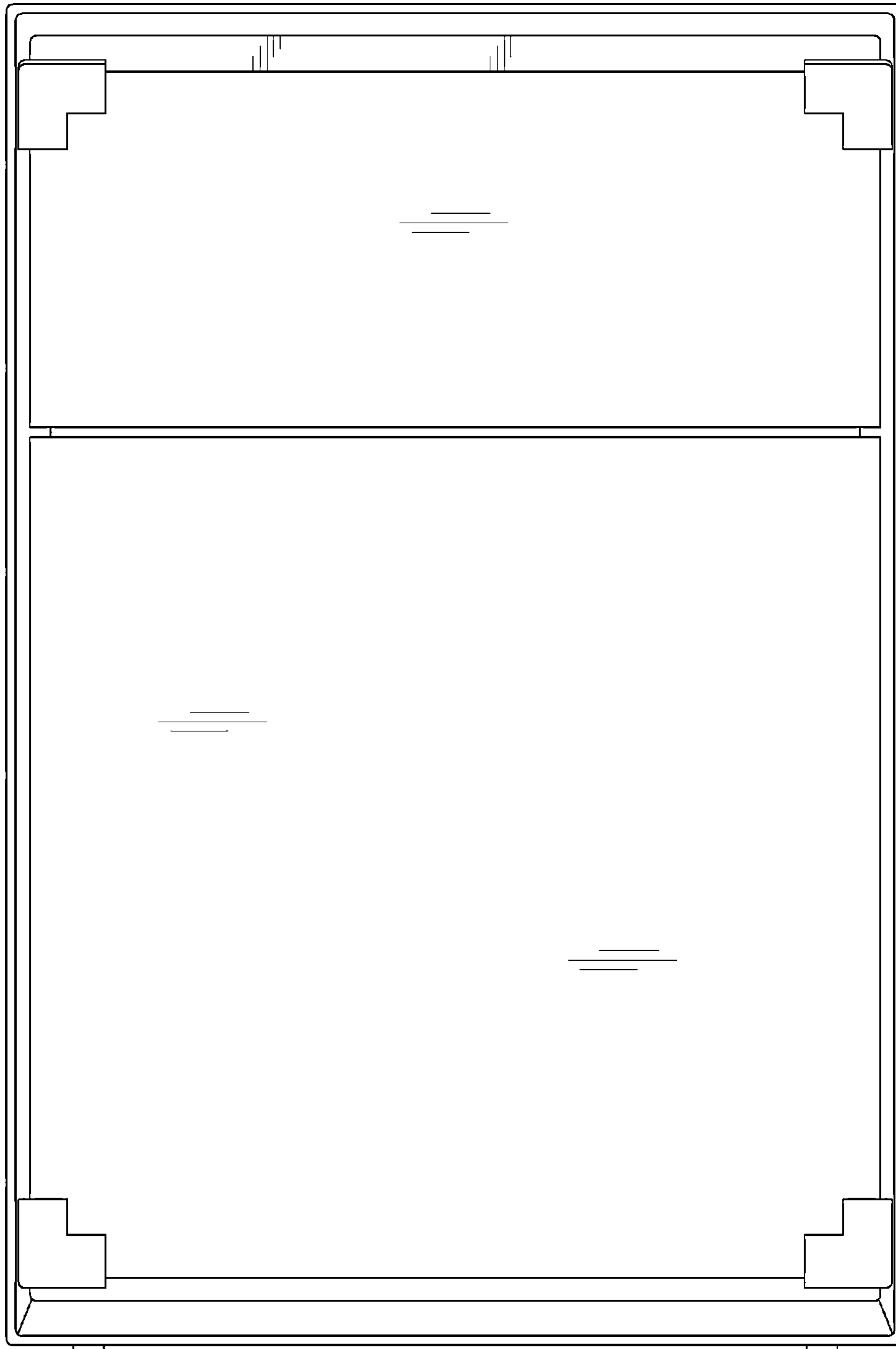


FIG. 4



FIG. 5

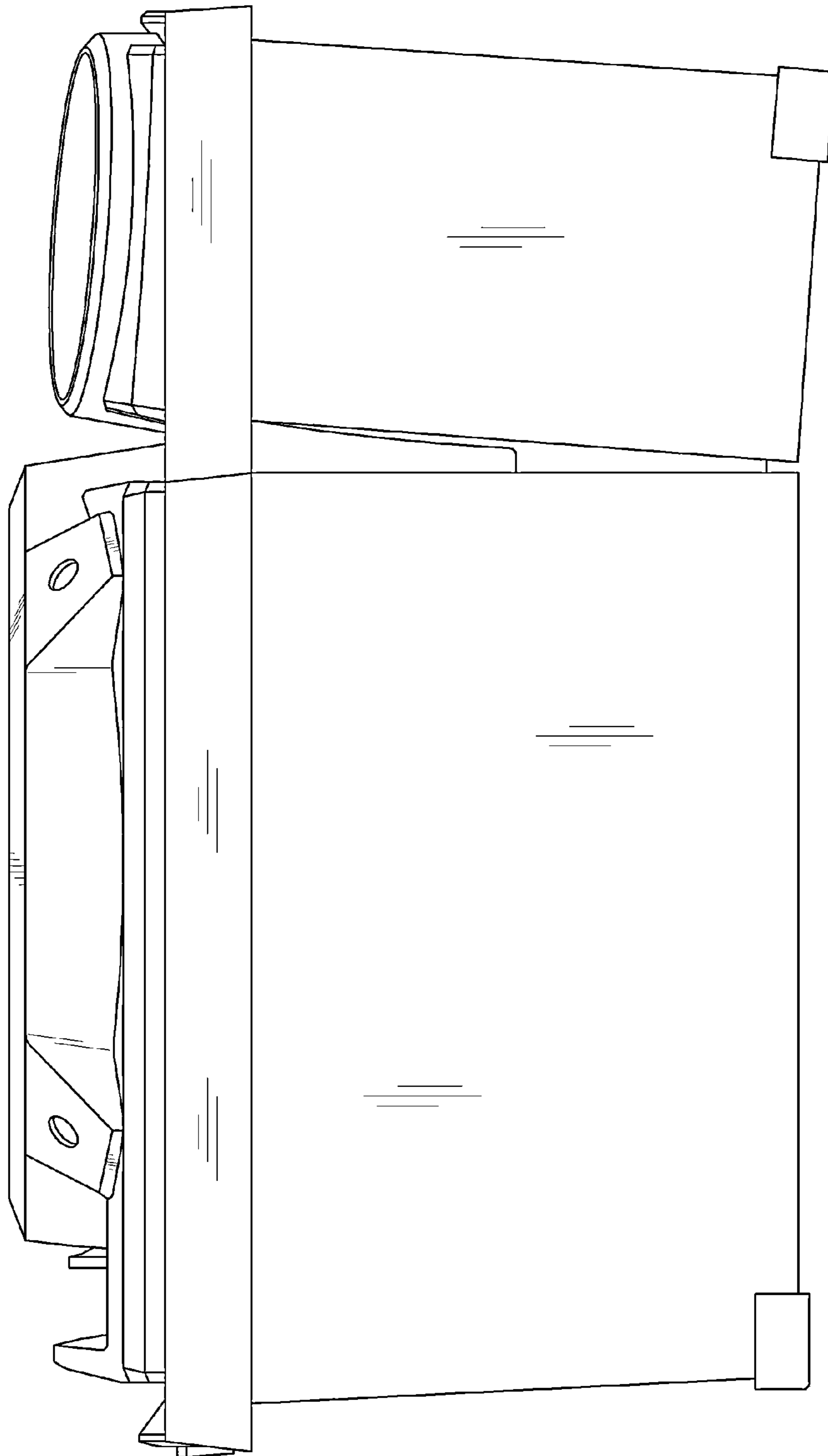


FIG. 6

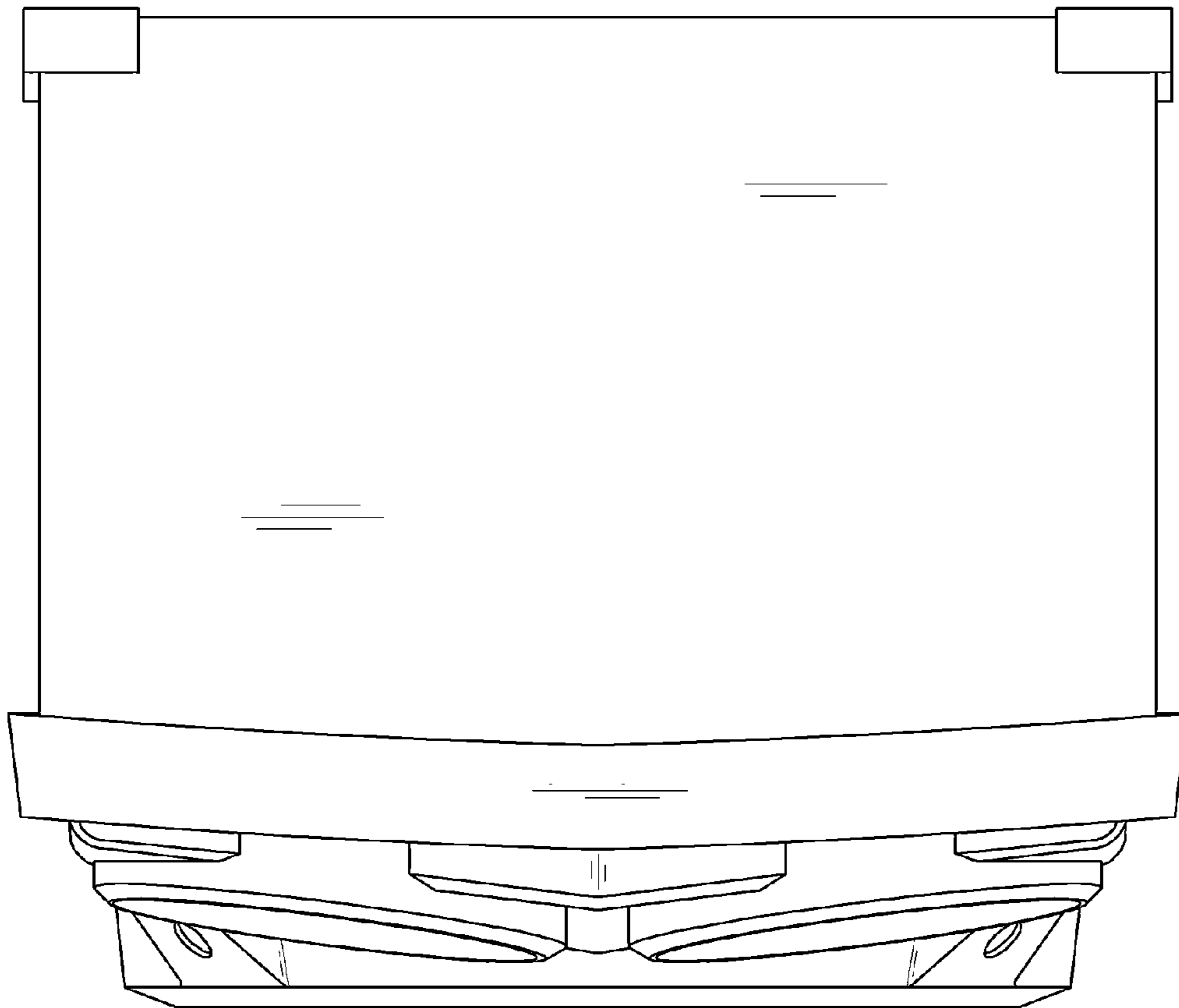


FIG. 7

