



US00D723517S

(12) **United States Design Patent**
Moon et al.

(10) **Patent No.:** **US D723,517 S**
(45) **Date of Patent:** **** Mar. 3, 2015**

(54) **SPEAKER**

(71) Applicant: **Samsung Electronics Co., Ltd.**,
Suwon-Si, Gyeonggi-Do (KR)
(72) Inventors: **Sinwi Moon**, Jeju (KR); **Sungjin Ann**,
Seoul (KR)
(73) Assignee: **Samsung Electronics Co., Ltd.**,
Gyeonggi-do (KR)

(**) Term: **14 Years**

(21) Appl. No.: **29/457,794**

(22) Filed: **Jun. 13, 2013**

(30) **Foreign Application Priority Data**

Dec. 13, 2012 (KR) 30-2012-0060274

(51) **LOC (10) Cl.** **14-03**

(52) **U.S. Cl.**
USPC **D14/215**

(58) **Field of Classification Search**
USPC D14/167, 168, 170-172, 188, 194-196,
D14/204, 207, 209.1, 210-216, 219, 221,
D14/222, 224, 496; 181/143, 144, 147, 148,
181/150, 153, 157, 198, 199; 381/300-303,
381/306, 332, 333, 336, 345, 361-364,
381/386-388; 369/6-12

See application file for complete search history.

(56) **References Cited**

U.S. PATENT DOCUMENTS

D266,243	S	*	9/1982	Gollehon	D14/215
D485,543	S	*	1/2004	Allen	D14/214
D486,475	S	*	2/2004	Allen	D14/215
D505,942	S	*	6/2005	Meyer et al.	D14/215
D521,498	S	*	5/2006	Omori et al.	D14/215
D542,263	S	*	5/2007	Caspi et al.	D14/168
D597,526	S	*	8/2009	Garrett	D14/209.1
D676,025	S	*	2/2013	Davies et al.	D14/215
D678,246	S	*	3/2013	Davies et al.	D14/215

* cited by examiner

Primary Examiner — Keli L Hill

(74) *Attorney, Agent, or Firm* — Harness, Dickey & Pierce,
P.L.C.

(57) **CLAIM**

The ornamental design for a speaker, as shown and described.

DESCRIPTION

FIG. 1 is the perspective view of a speaker, embodying our new design;
FIG. 2 is the front view thereof;
FIG. 3 is the rear view thereof;
FIG. 4 is the left-side view thereof;
FIG. 5 is the right-side view thereof;
FIG. 6 is the top plan view thereof;
FIG. 7 is the bottom plan view thereof; and,
FIG. 8 illustrates the speaker in use.
The broken lines shown are included for the purpose of illustrating portions of the speaker that form no part of the claim.

1 Claim, 6 Drawing Sheets

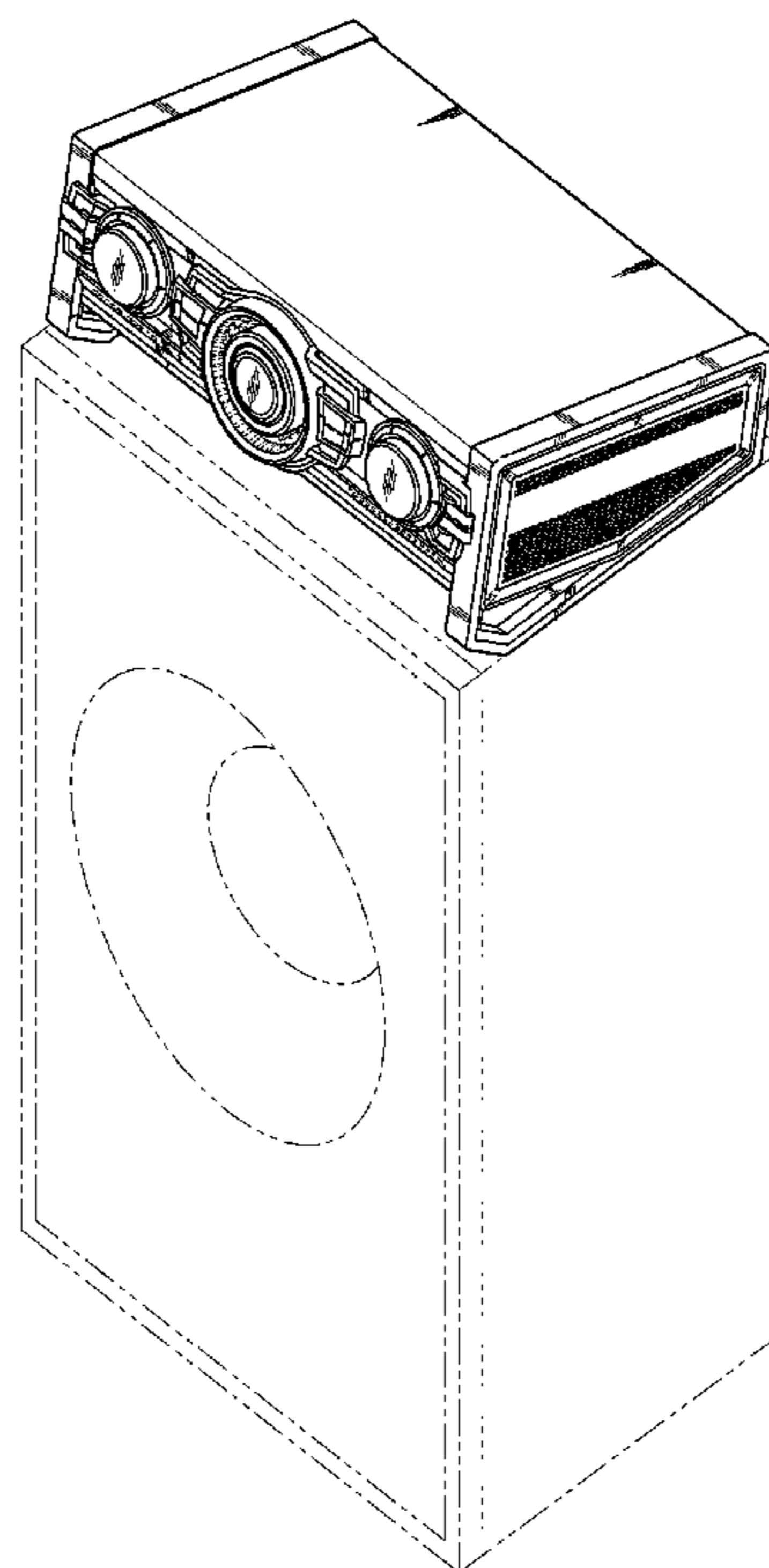
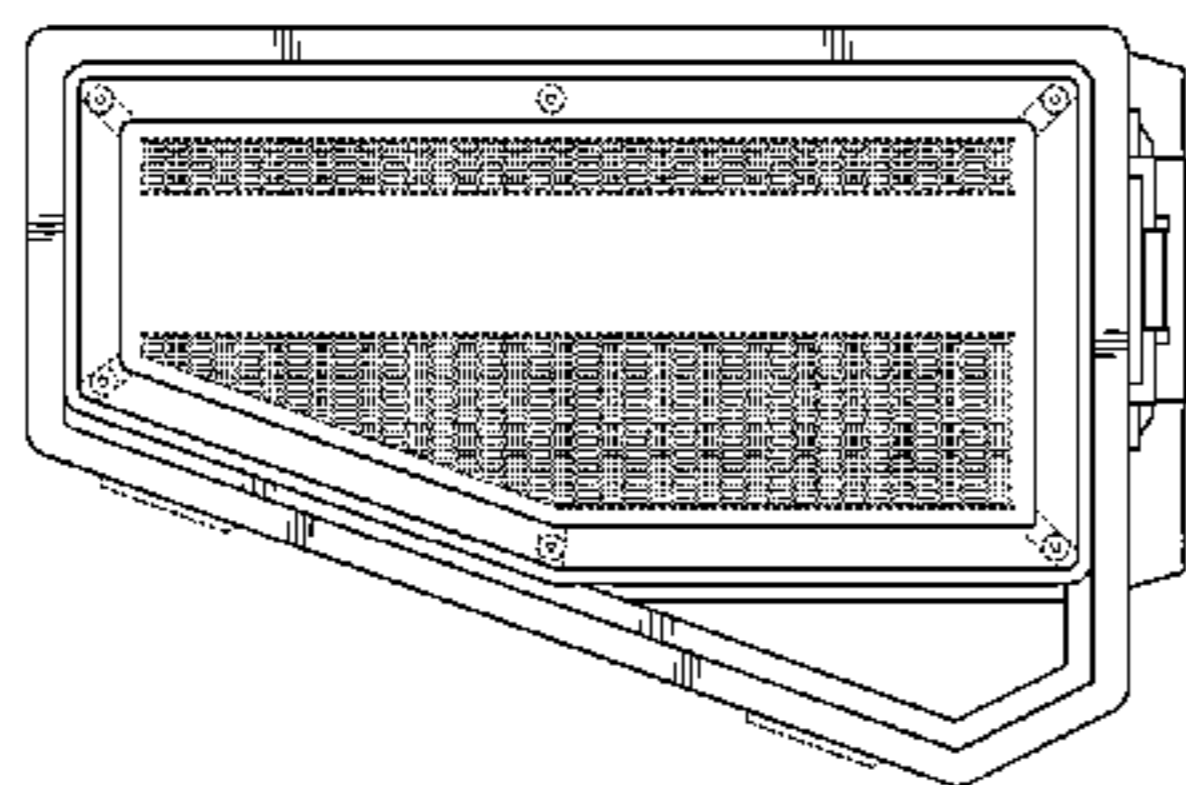


FIG. 1

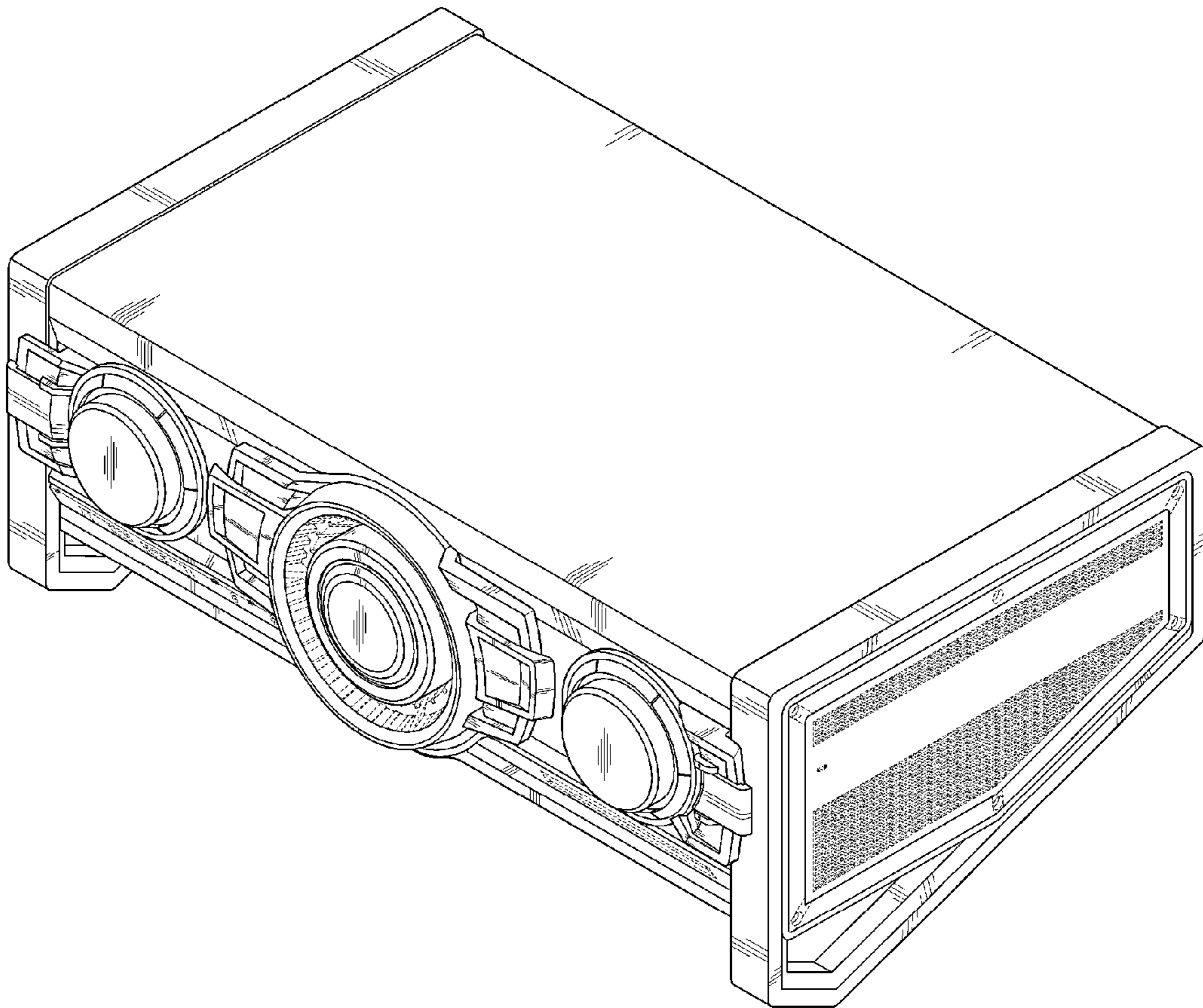


FIG. 2

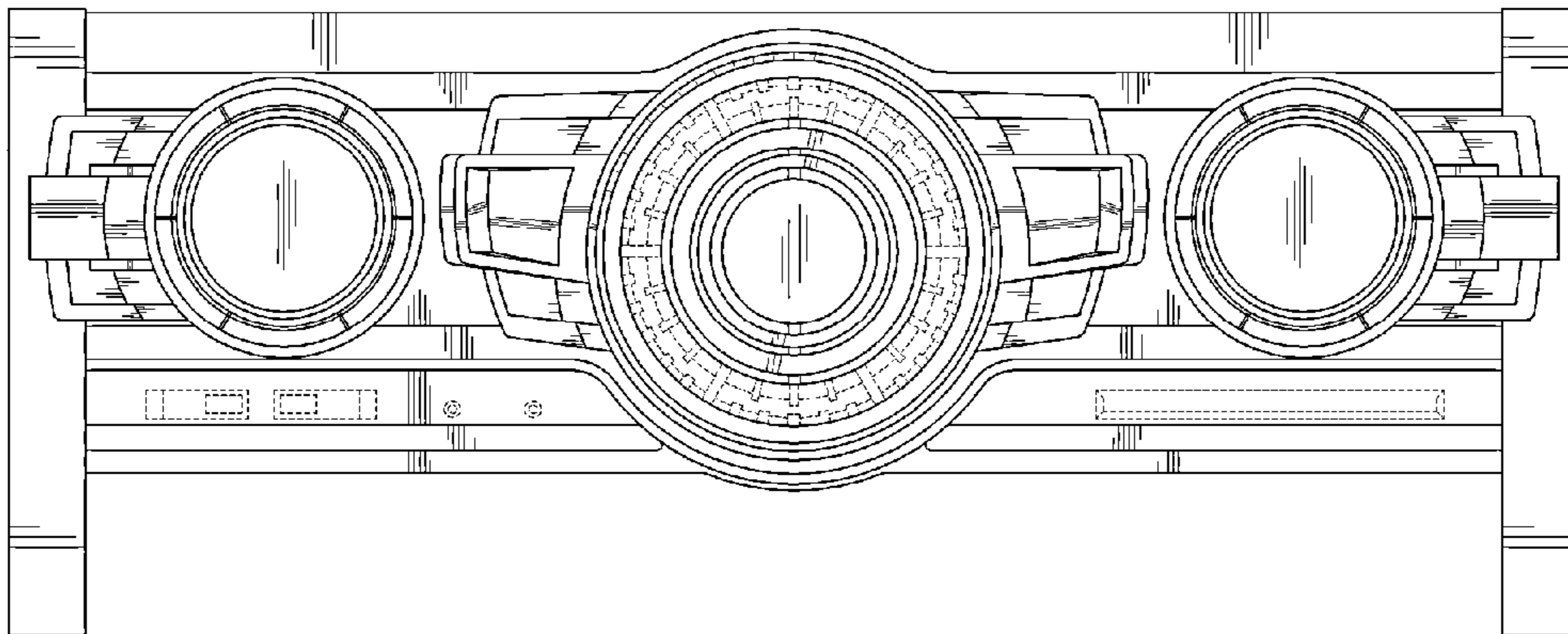


FIG. 3

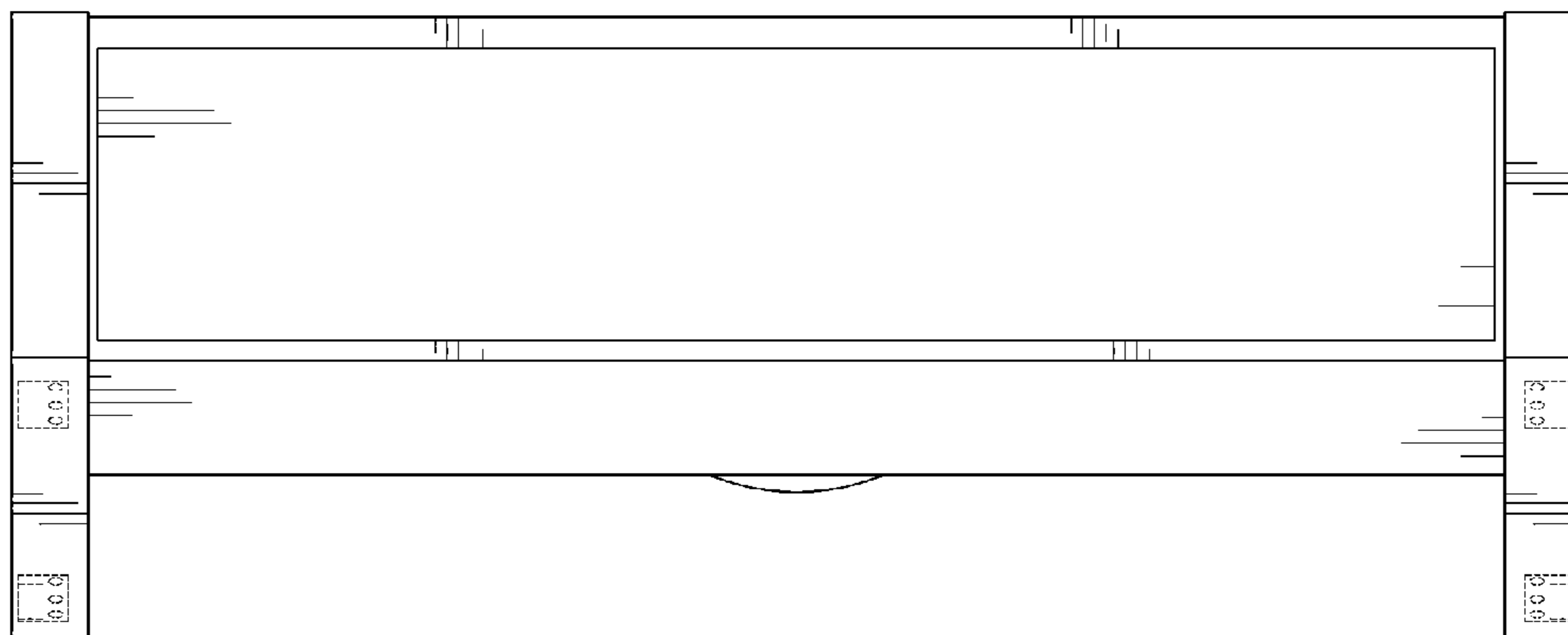


FIG. 4

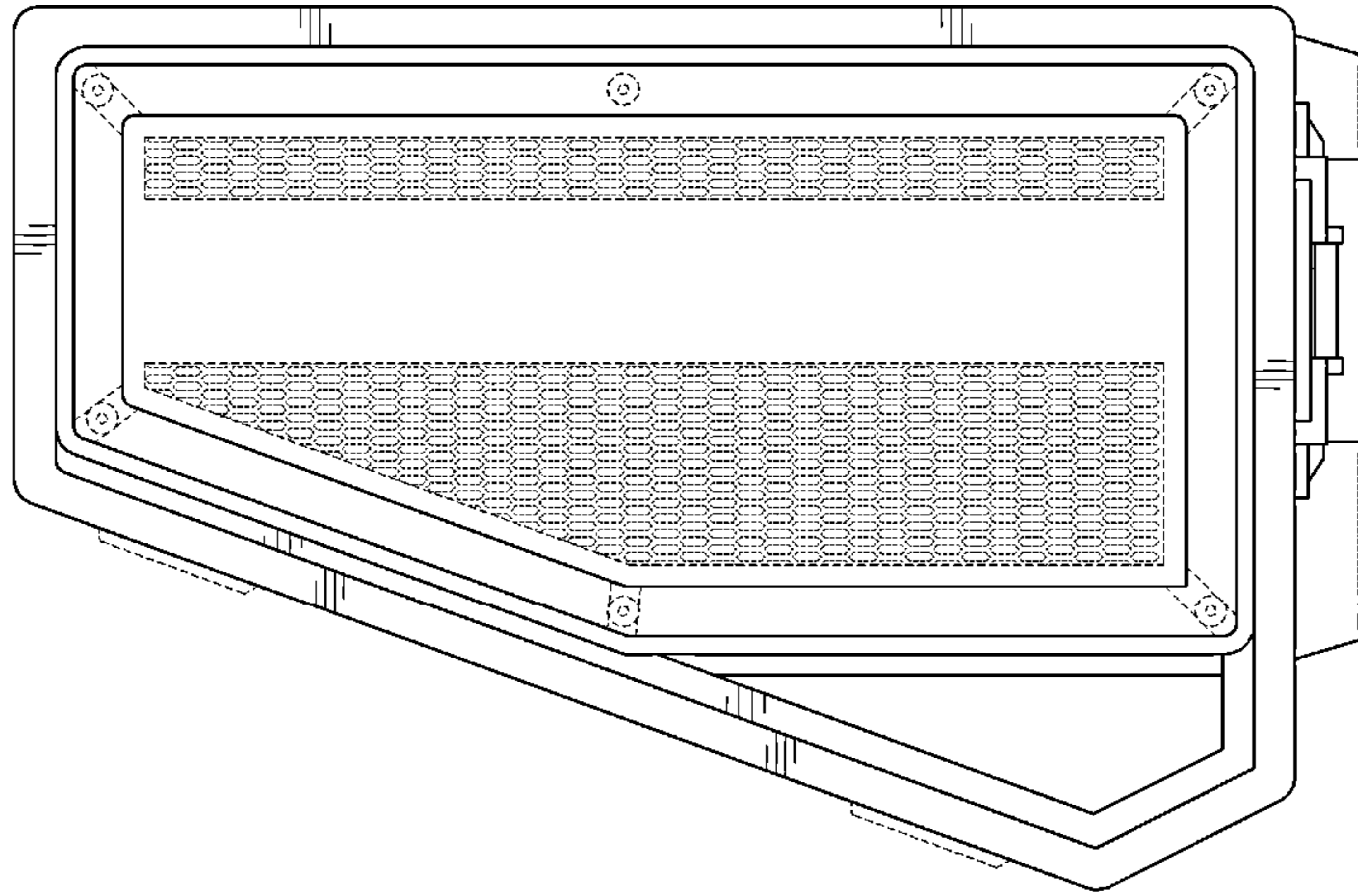


FIG. 5

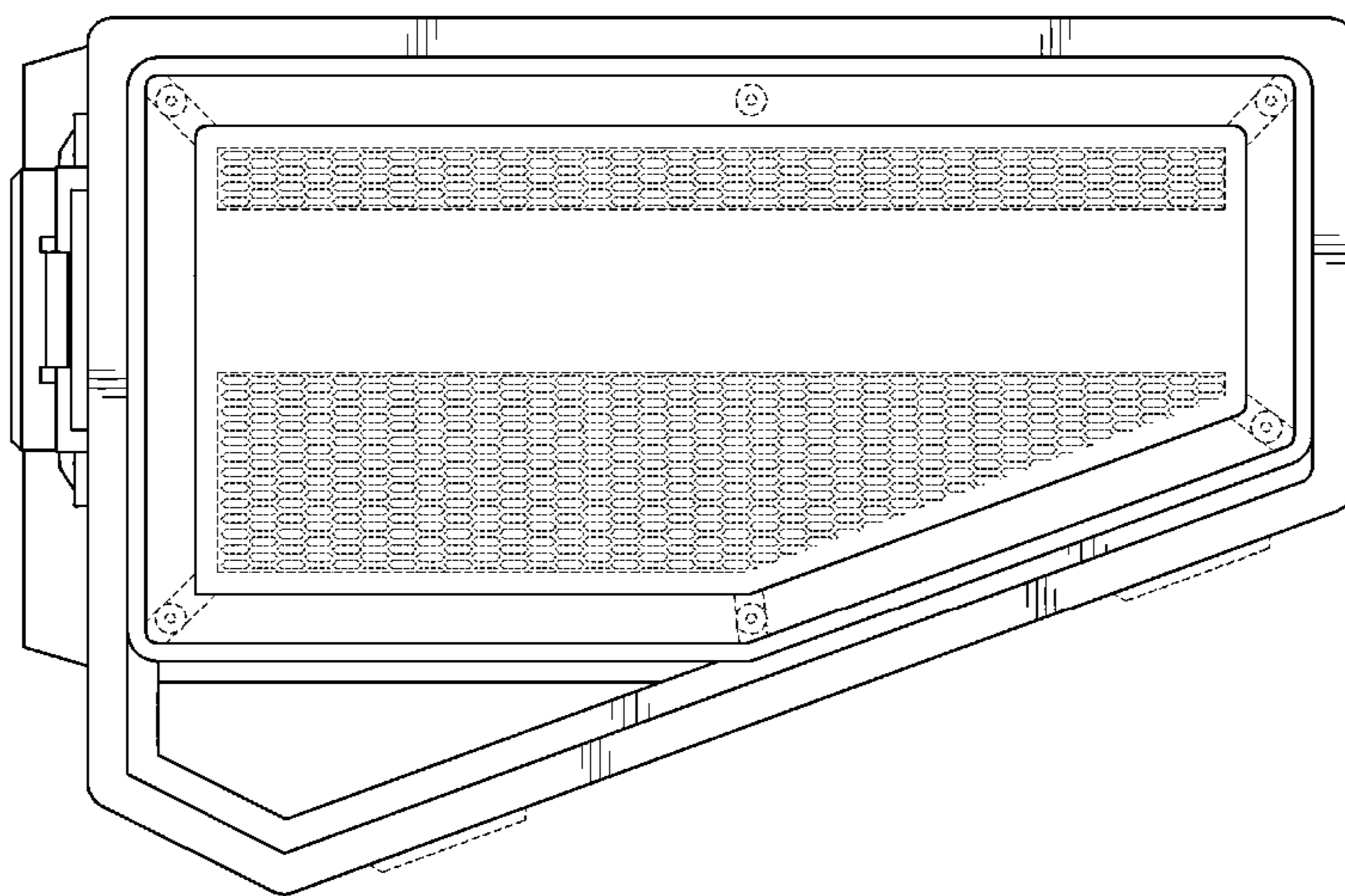


FIG. 6

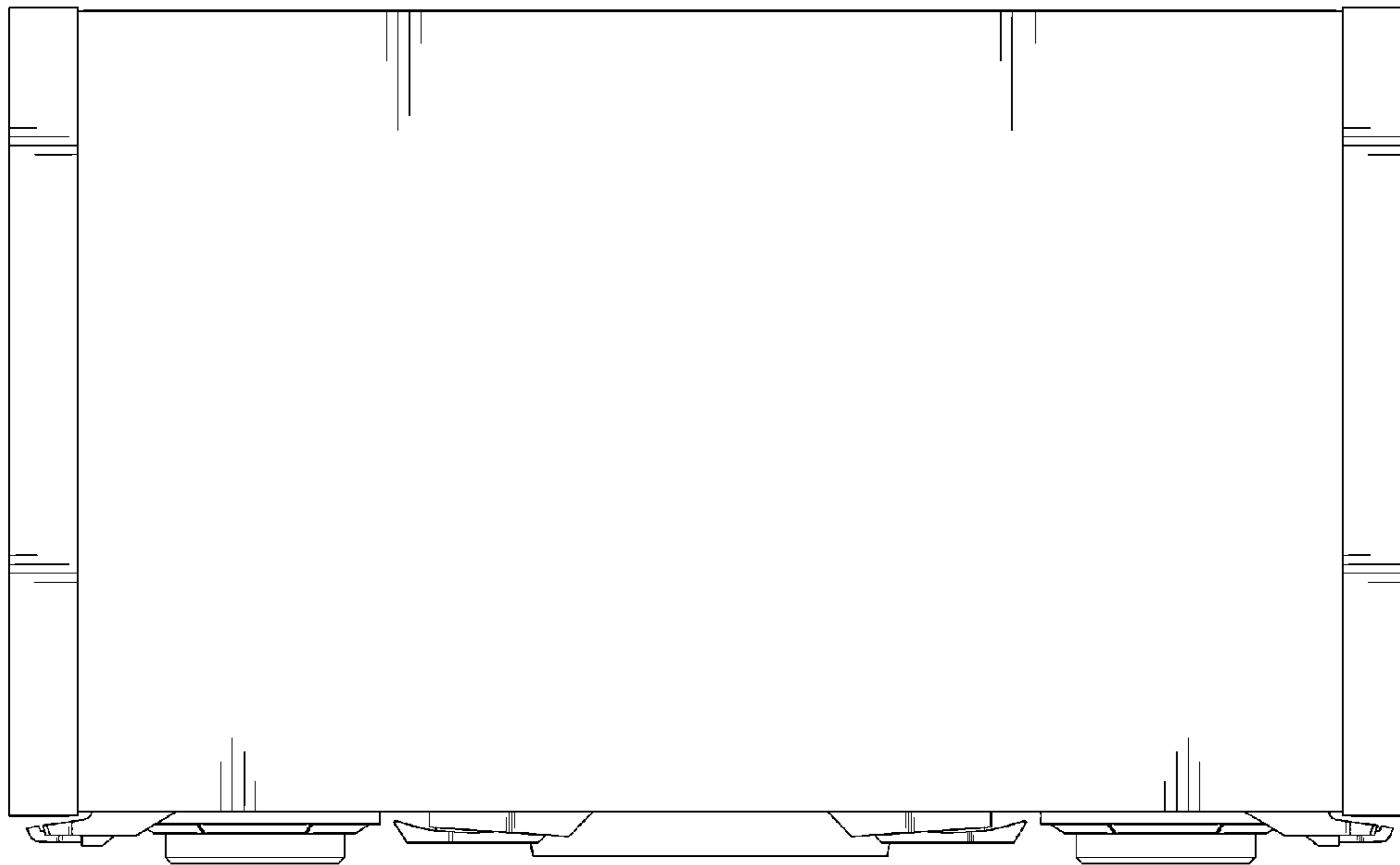


FIG. 7

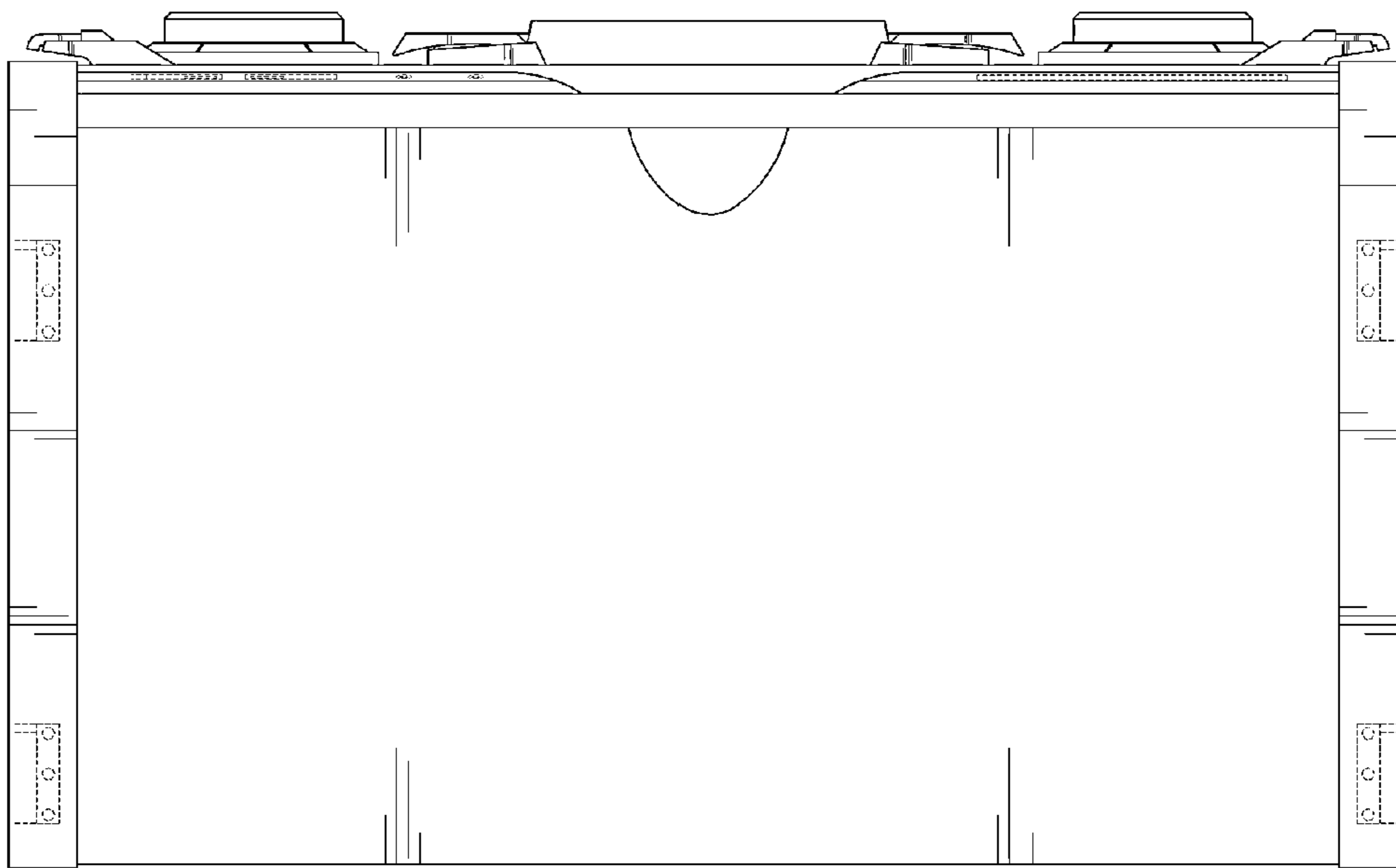


FIG. 8

