



US00D723515S

(12) **United States Design Patent**  
**Ang et al.**

(10) **Patent No.:** **US D723,515 S**  
(45) **Date of Patent:** **\*\* Mar. 3, 2015**

(54) **SPEAKER**

(71) Applicant: **Creative Technology Ltd**, Singapore (SG)

(72) Inventors: **Huang Pheng Vince Ang**, Singapore (SG); **Soo Beng Damien Khoo**, Singapore (SG)

(73) Assignee: **Creative Technology Ltd**, Singapore (SG)

(\*\*) Term: **14 Years**

(21) Appl. No.: **29/460,024**

(22) Filed: **Jul. 6, 2013**

(30) **Foreign Application Priority Data**

Jan. 8, 2013 (SG) ..... D2013/26/Z

(51) **LOC (10) Cl.** ..... **14-03**

(52) **U.S. Cl.**  
USPC ..... **D14/214; D14/204; D14/212**

(58) **Field of Classification Search**  
USPC ..... D14/167, 168, 170-172, 188, 194-196, D14/204, 207, 209.1, 210-216, 219, 221, D14/222, 224, 496; 181/143, 144, 147, 148, 181/150, 153, 157, 198, 199; 381/300-303, 381/306, 332, 333, 336, 345, 361-364, 381/386-388; 369/6-12

See application file for complete search history.

(56) **References Cited**

U.S. PATENT DOCUMENTS

D534,897	S	*	1/2007	Bhakta	.....	D14/214
D551,208	S	*	9/2007	Yano	.....	D14/214
D573,134	S	*	7/2008	Milks et al.	.....	D14/214
D653,652	S	*	2/2012	Kroyer	.....	D14/214
D672,333	S	*	12/2012	Lin et al.	.....	D14/212
D686,192	S	*	7/2013	Widner et al.	.....	D14/212
D698,338	S	*	1/2014	Ingham et al.	.....	D14/218
2005/0255895	A1	*	11/2005	Lee et al.	.....	455/573

\* cited by examiner

*Primary Examiner* — Keli L Hill

(74) *Attorney, Agent, or Firm* — Russell Swerdon; Desmond Gean

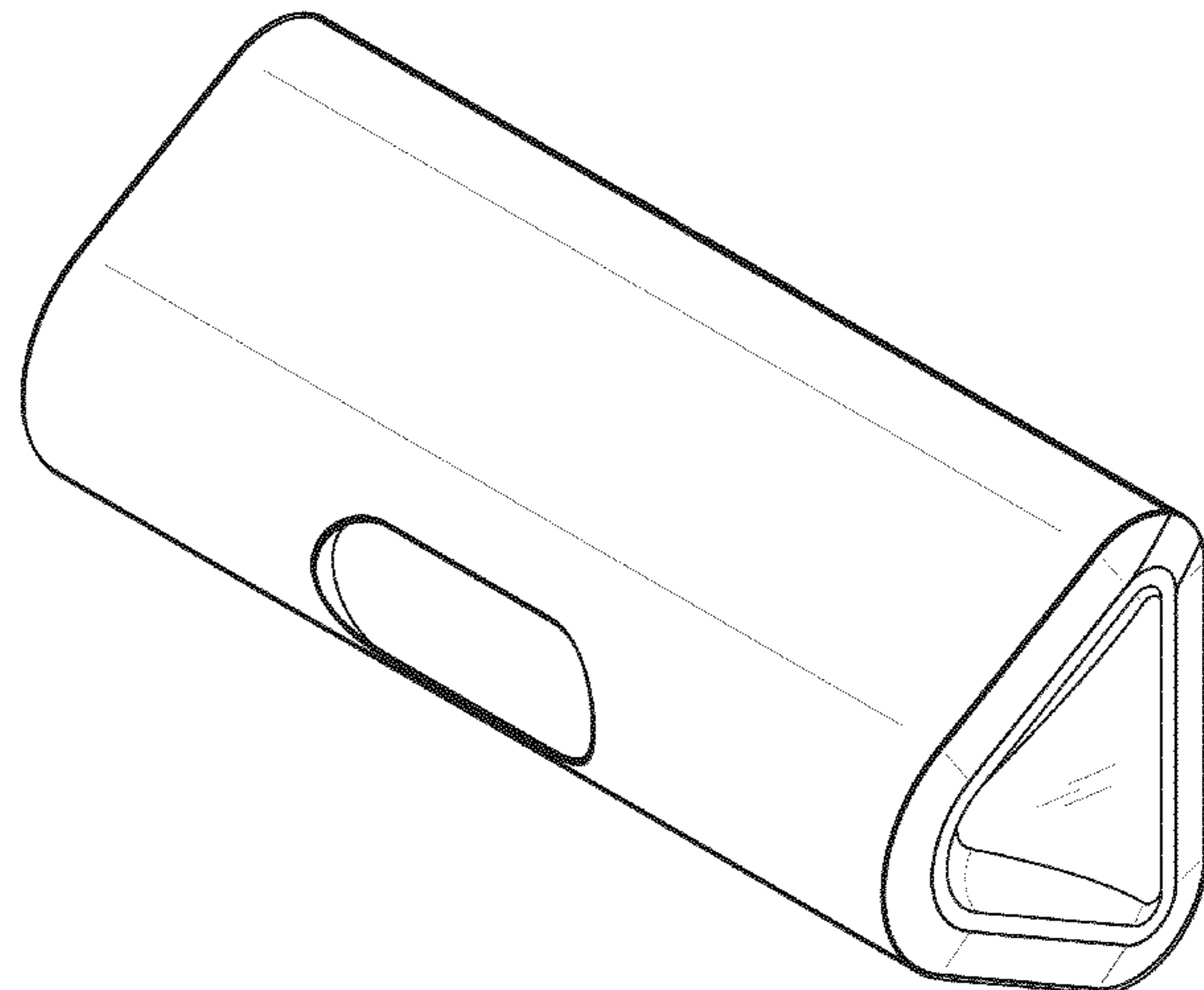
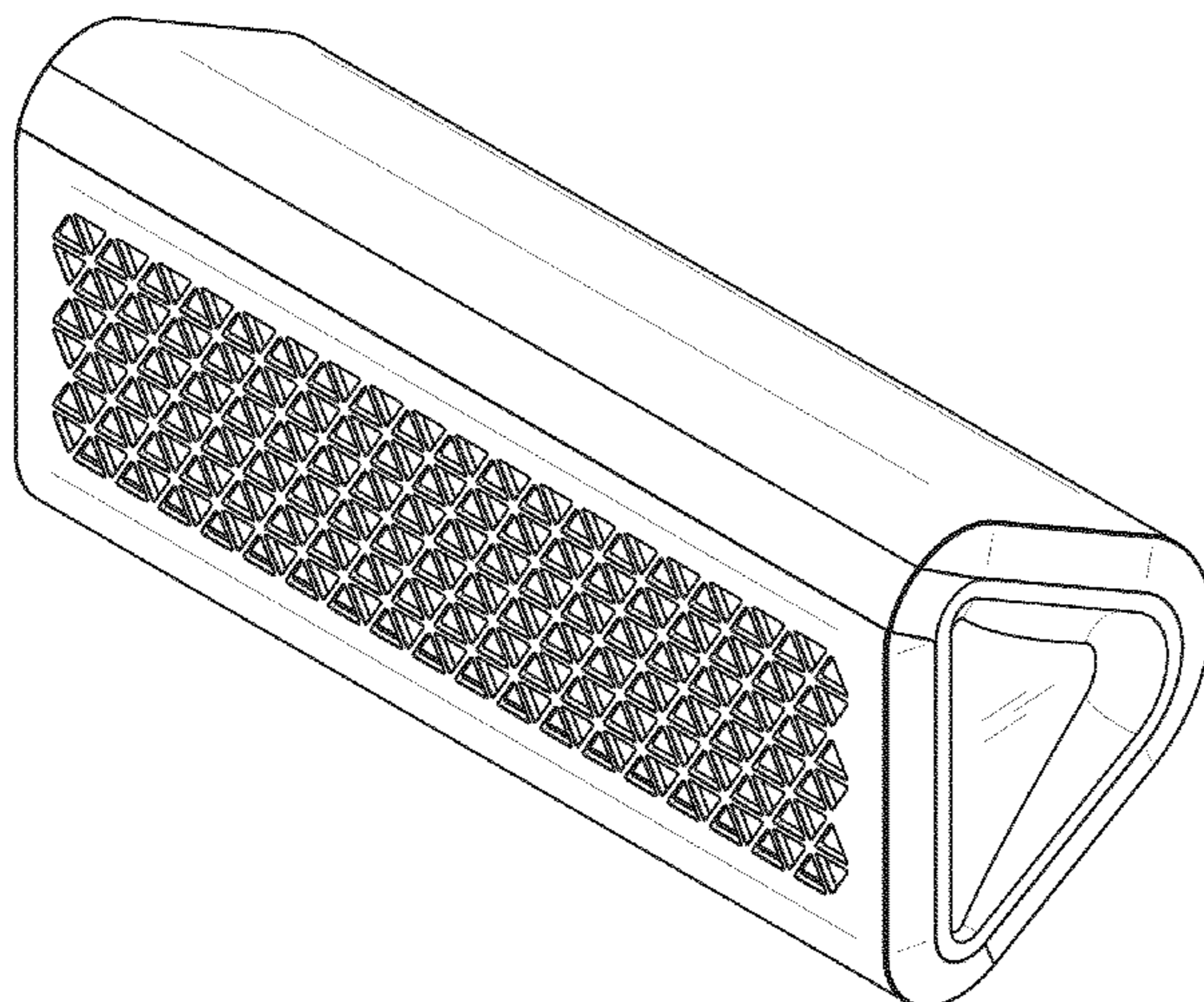
(57) **CLAIM**

The ornamental design for a speaker, substantially as shown and described.

**DESCRIPTION**

FIG. 1 is a front top right side perspective view of a speaker showing our new design;  
FIG. 2 is a rear top left side perspective view thereof;  
FIG. 3 is a front elevational view thereof;  
FIG. 4 is a rear elevational view thereof;  
FIG. 5 is a left side elevational view thereof;  
FIG. 6 is a right side elevational view thereof;  
FIG. 7 is a top plan view thereof; and,  
FIG. 8 is a bottom plan view thereof.

**1 Claim, 8 Drawing Sheets**



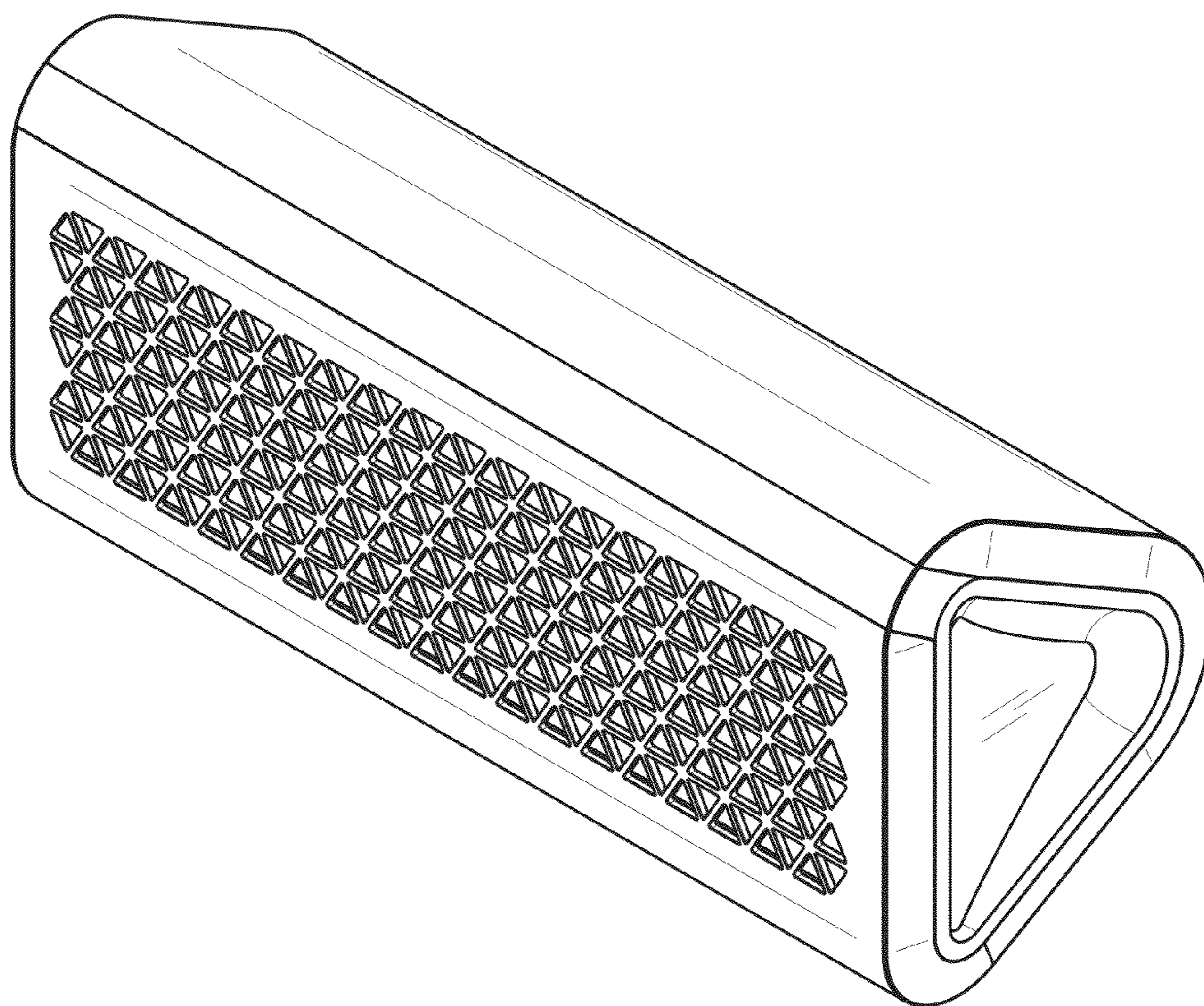


FIG. 1

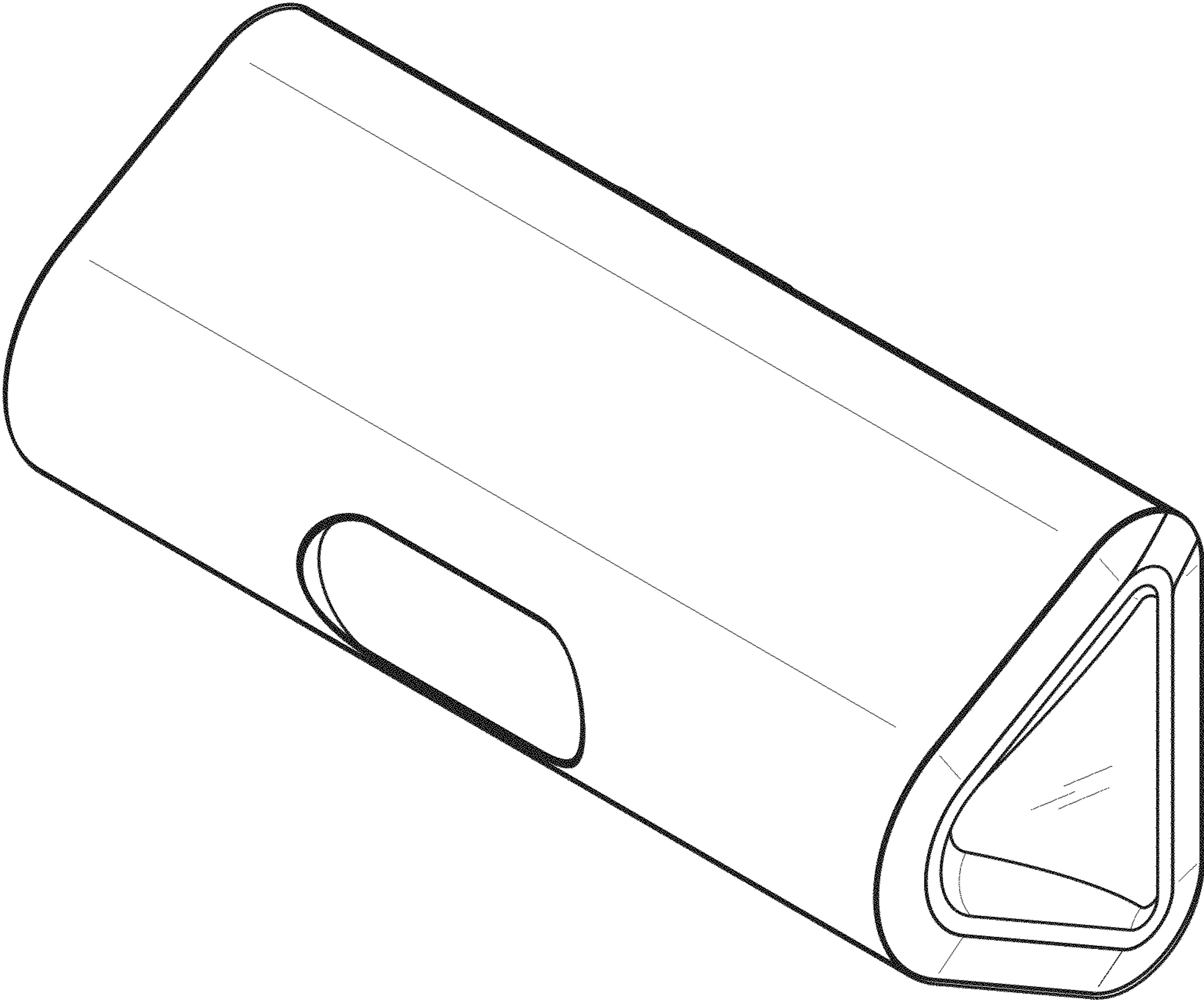


FIG. 2

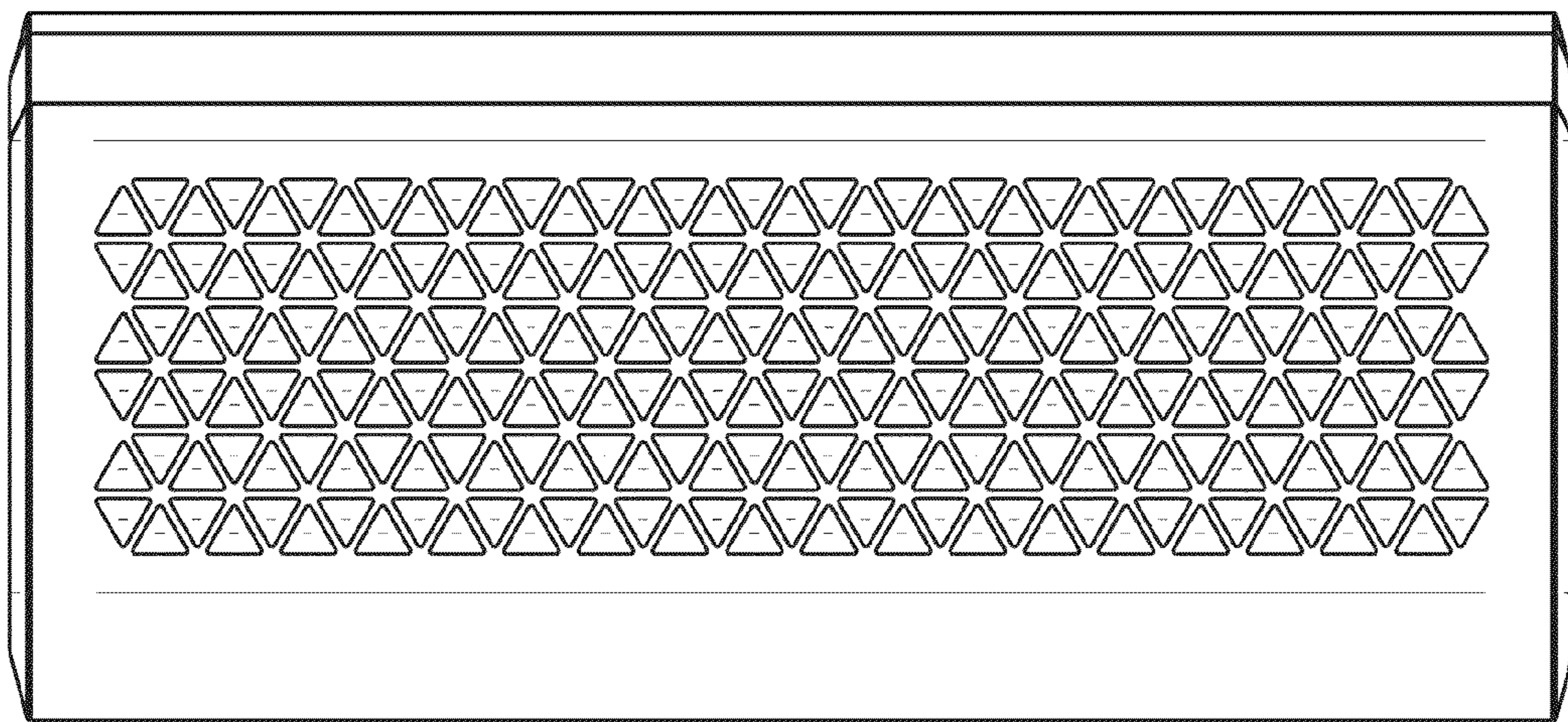


FIG. 3

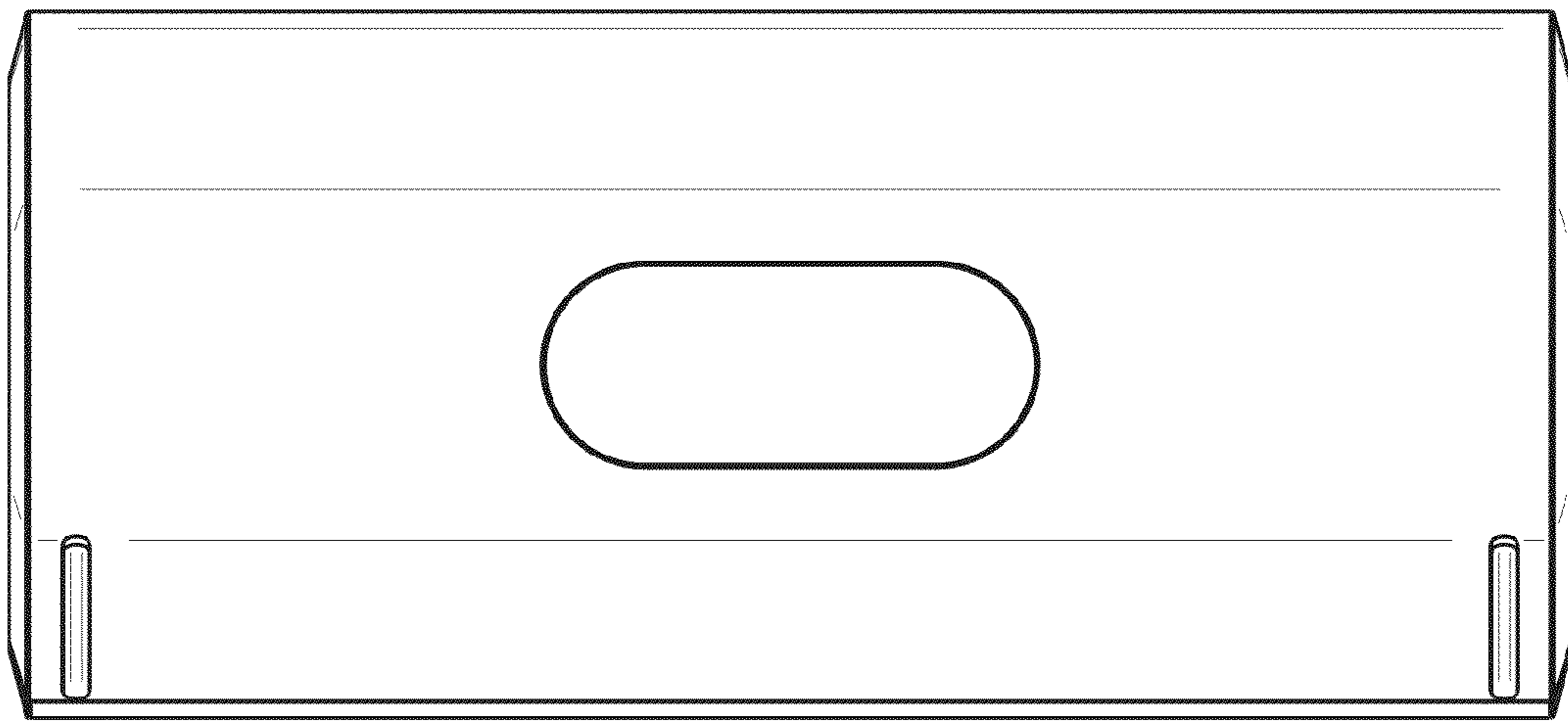


FIG. 4

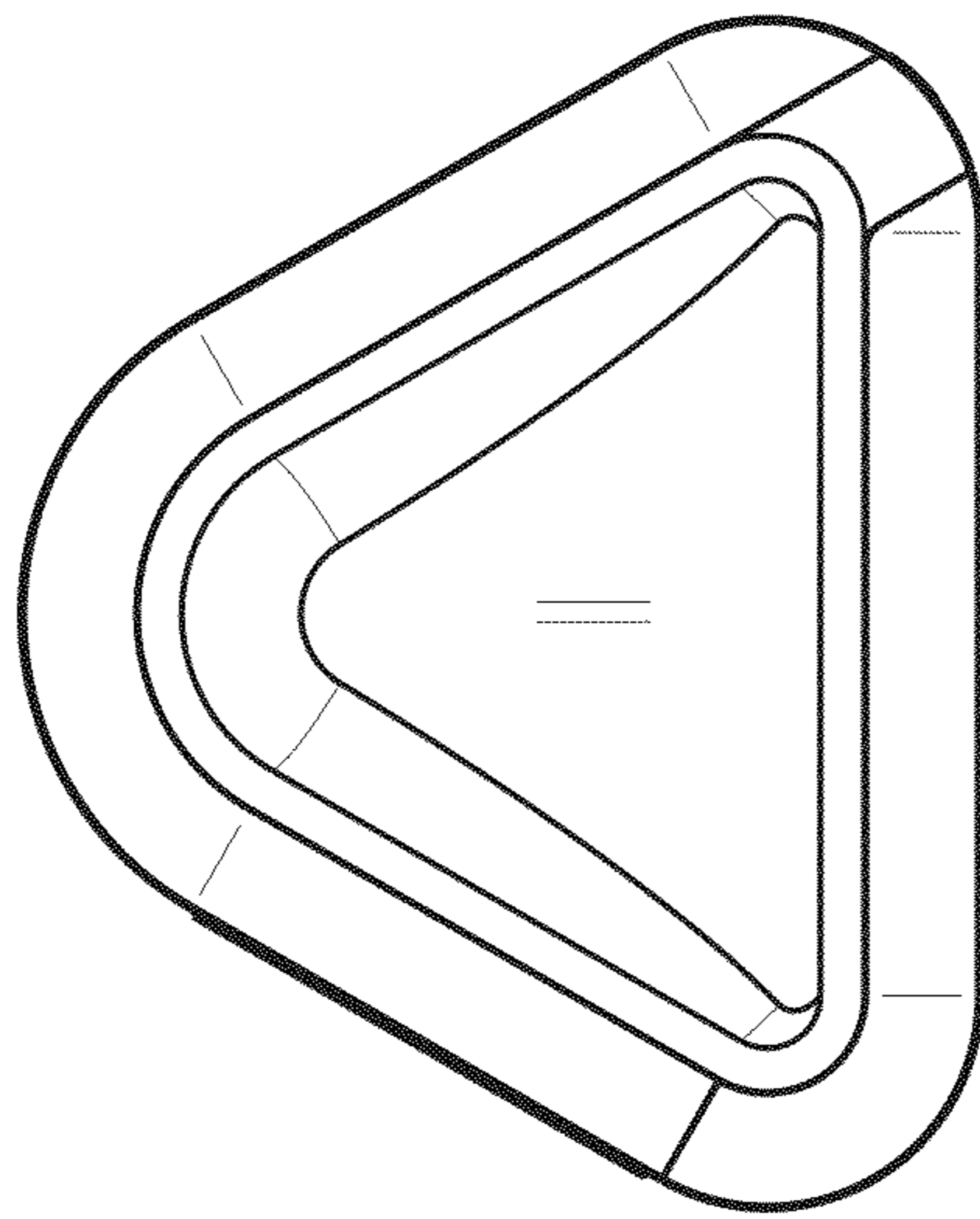


FIG. 5

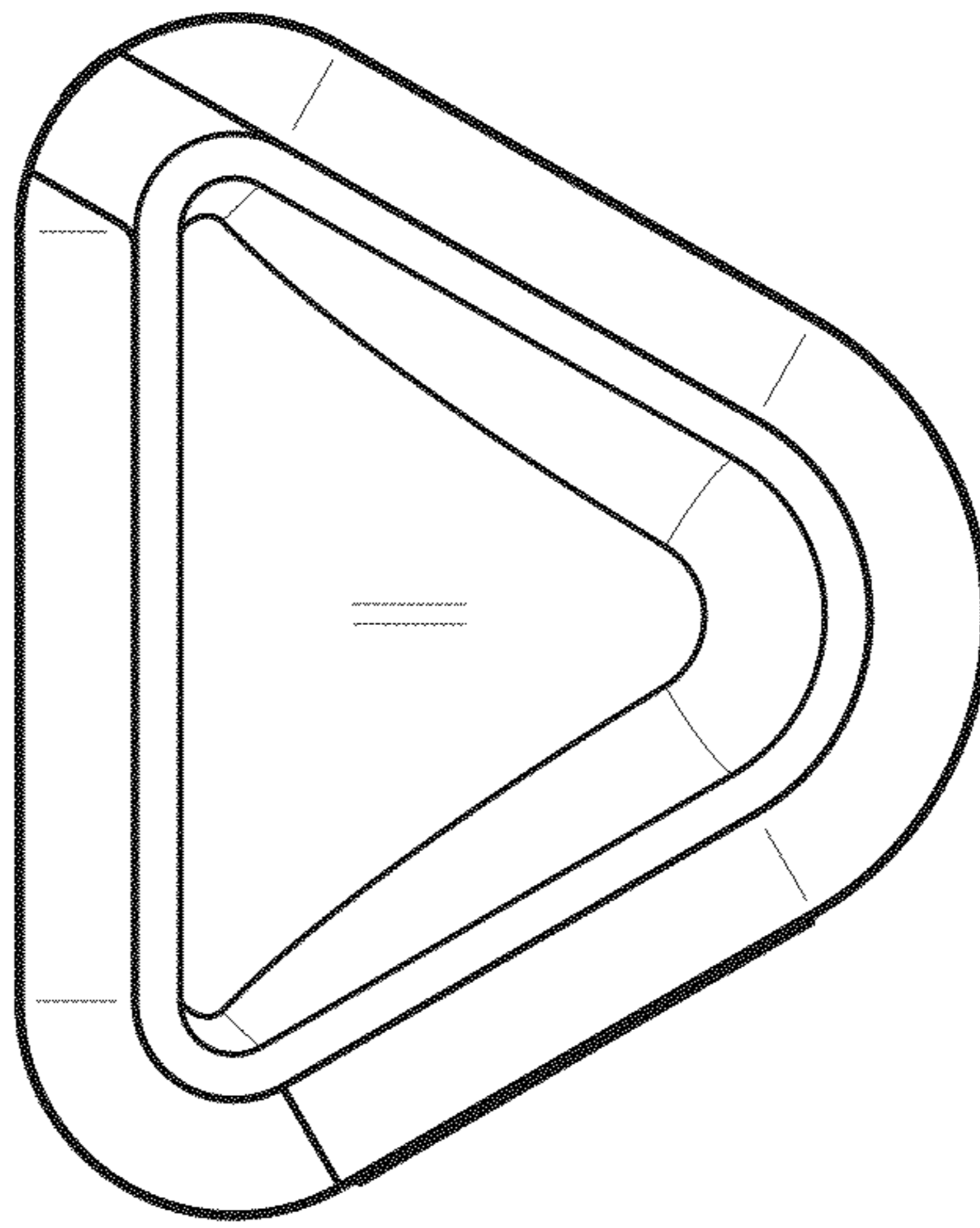


FIG. 6

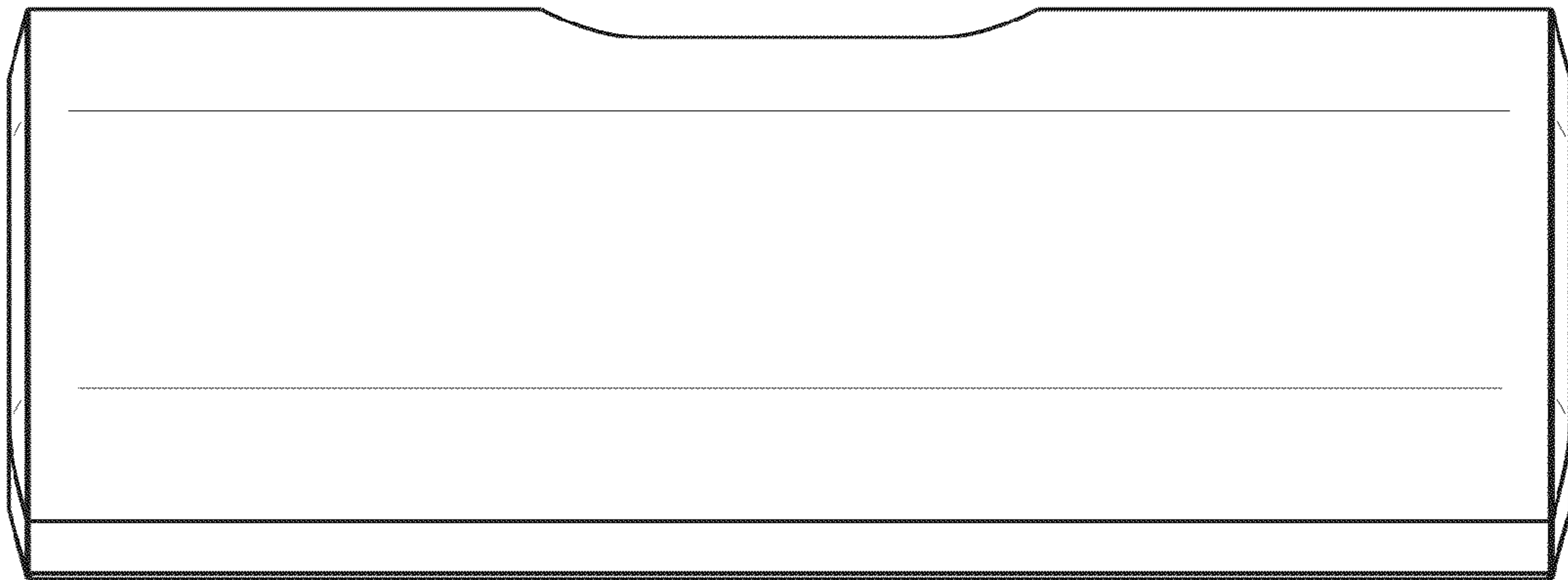


FIG. 7



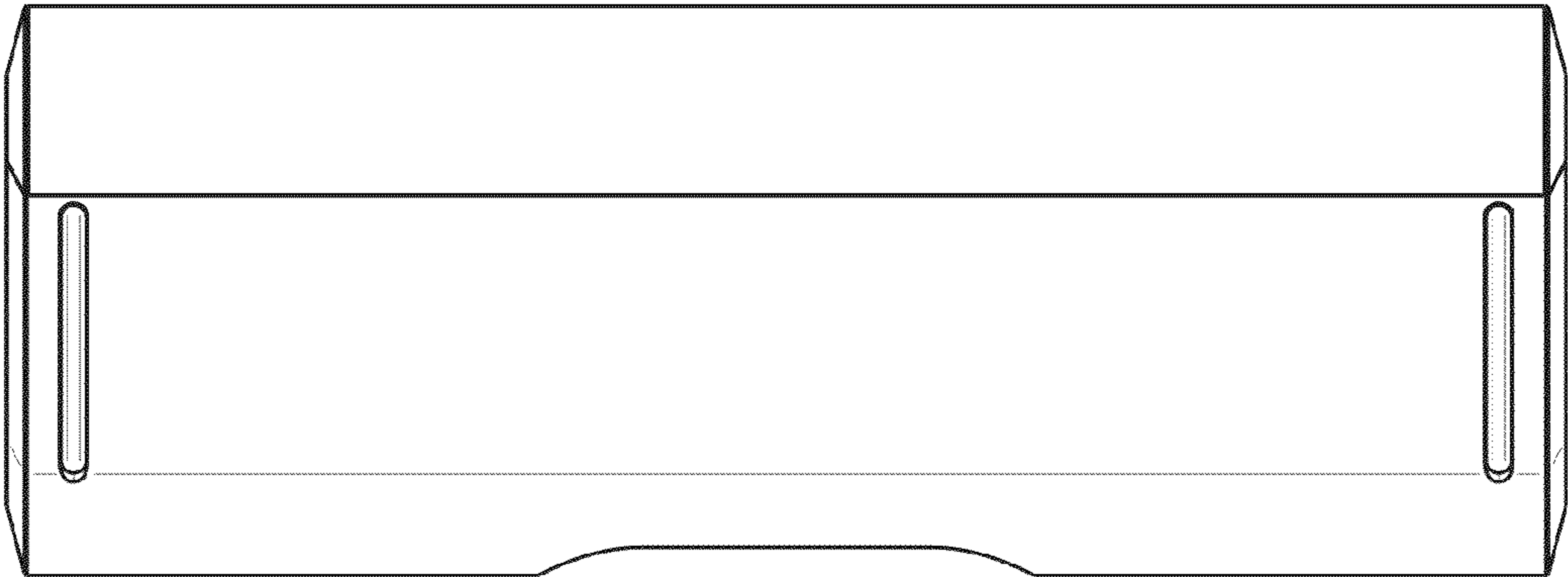


FIG. 8