



US00D723512S

(12) **United States Design Patent**  
**Kim**

(10) **Patent No.:** **US D723,512 S**  
(45) **Date of Patent:** **\*\* Mar. 3, 2015**

- (54) **SPEAKER**
- (71) Applicant: **Samsung Electronics Co., Ltd.**,  
Suwon-si (KR)
- (72) Inventor: **Ki-Soo Kim**, Gunpo-Si (KR)
- (73) Assignee: **Samsung Electronics Co., Ltd.**,  
Suwon-si (KR)
- (\*\*) Term: **14 Years**
- (21) Appl. No.: **29/477,788**
- (22) Filed: **Dec. 27, 2013**
- (30) **Foreign Application Priority Data**

Jul. 9, 2013 (KR) ..... 30-2013-0035148

(51) **LOC (10) Cl.** ..... **14-03**

(52) **U.S. Cl.**  
USPC ..... **D14/209.1; D13/108**

(58) **Field of Classification Search**  
USPC ..... D14/167, 168, 170–172, 188, 194–196,  
D14/204, 207, 209.1, 210–216, 219, 221,  
D14/222, 224, 496; 181/143, 144, 147, 148,  
181/150, 153, 157, 198, 199; 381/300–303,  
381/306, 332, 333, 336, 345, 361–364,  
381/386–388; 369/6–12; D13/107, 108,  
D13/118

See application file for complete search history.

(56) **References Cited**

**U.S. PATENT DOCUMENTS**

D319,446 S \* 8/1991 Yamamoto ..... D14/215

D497,896 S *	11/2004	Hussaini et al.	.....	D14/168
D500,297 S *	12/2004	Chan	.....	D14/148
D579,443 S *	10/2008	Donovan et al.	.....	D14/217
D597,525 S *	8/2009	Jha	.....	D14/207
D601,546 S *	10/2009	Lee et al.	.....	D14/209.1
D611,408 S *	3/2010	Ferber et al.	.....	D13/108
D629,355 S *	12/2010	Bodley et al.	.....	D13/108
D676,377 S *	2/2013	Nokuo	.....	D13/108
D677,830 S *	3/2013	Daniels	.....	D26/108

\* cited by examiner

*Primary Examiner* — Keli L Hill

(74) *Attorney, Agent, or Firm* — NSIP Law

(57) **CLAIM**

The ornamental design for a speaker, as shown and described.

**DESCRIPTION**

FIG. 1 is a front perspective view of a speaker showing my new design;

FIG. 2 is a front view thereof;

FIG. 3 is a rear view thereof;

FIG. 4 is a left-side view thereof;

FIG. 5 is a right-side view thereof;

FIG. 6 is a top view thereof; and,

FIG. 7 is a bottom view thereof.

The broken lines illustrating portions of the speaker are for environmental purposes only and form no part of the claimed design.

**1 Claim, 4 Drawing Sheets**

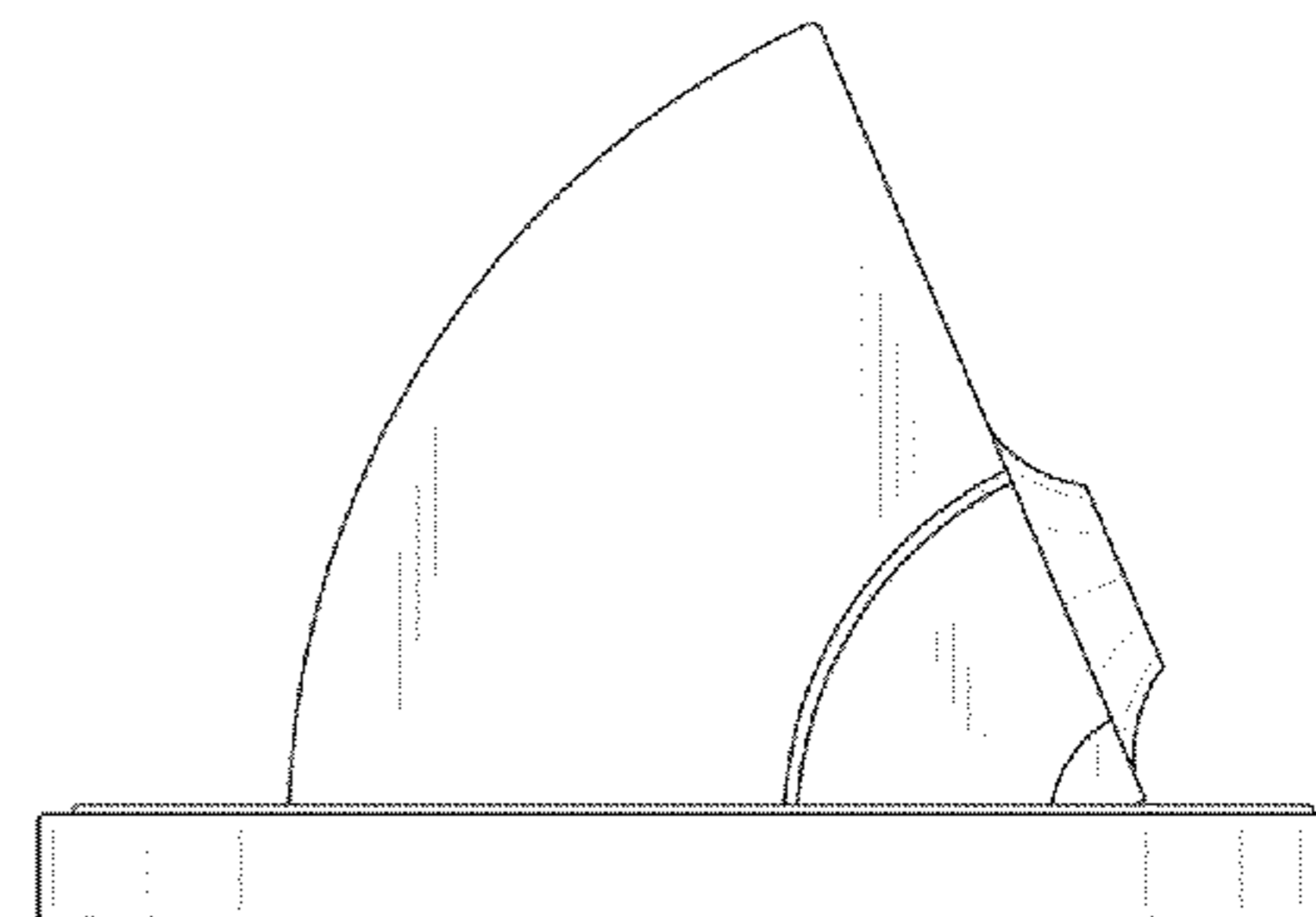
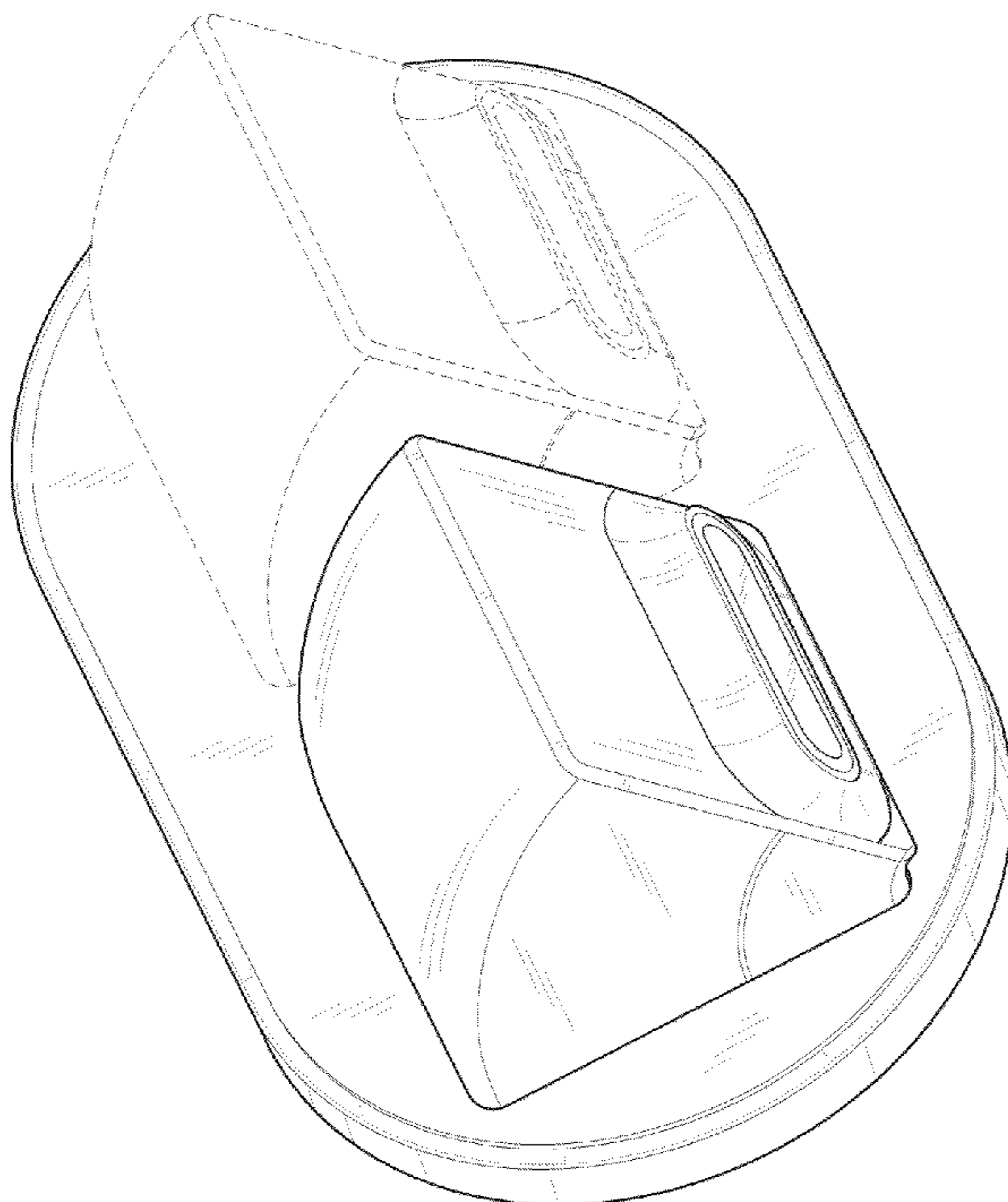


FIG. 1

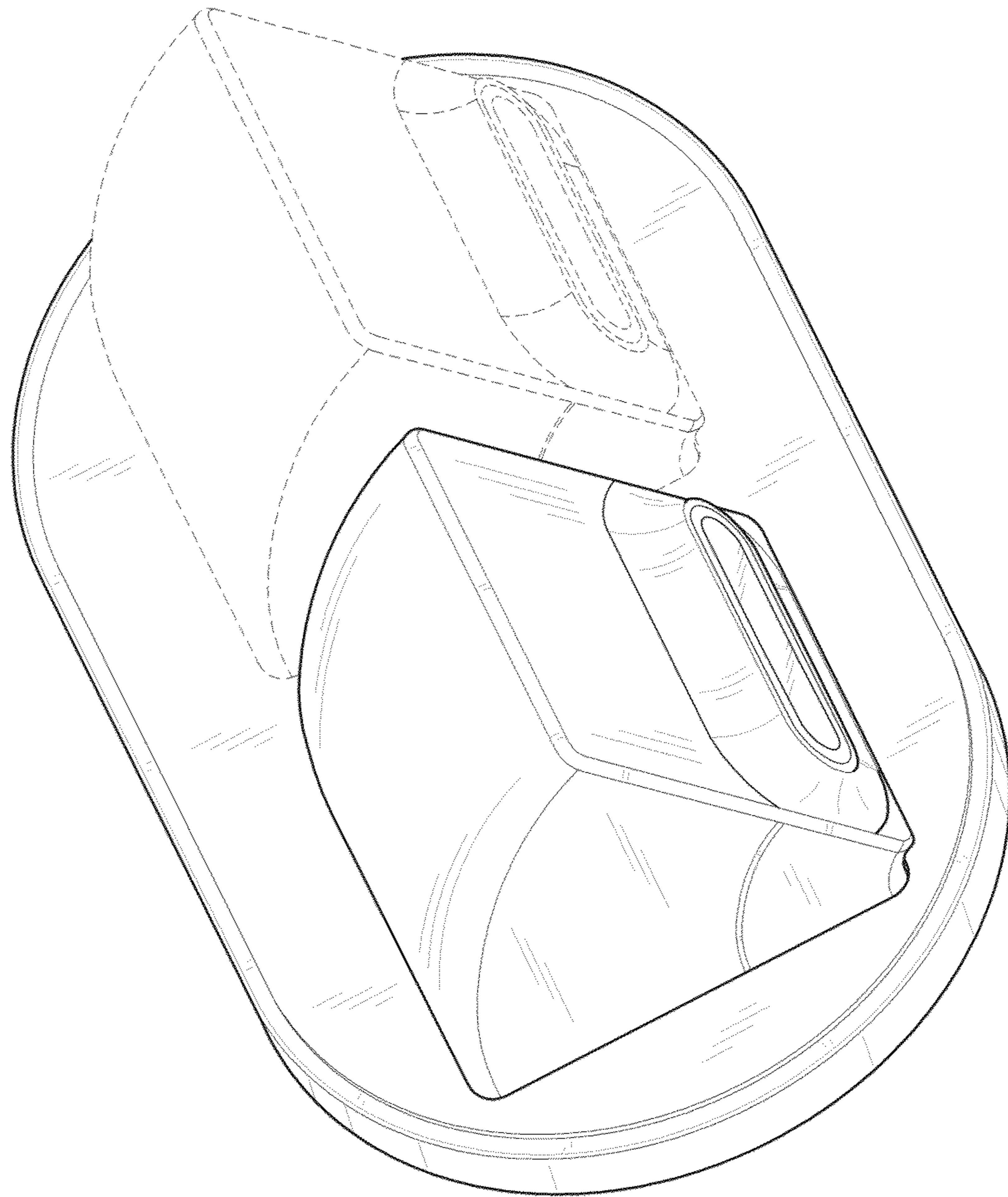


FIG. 2

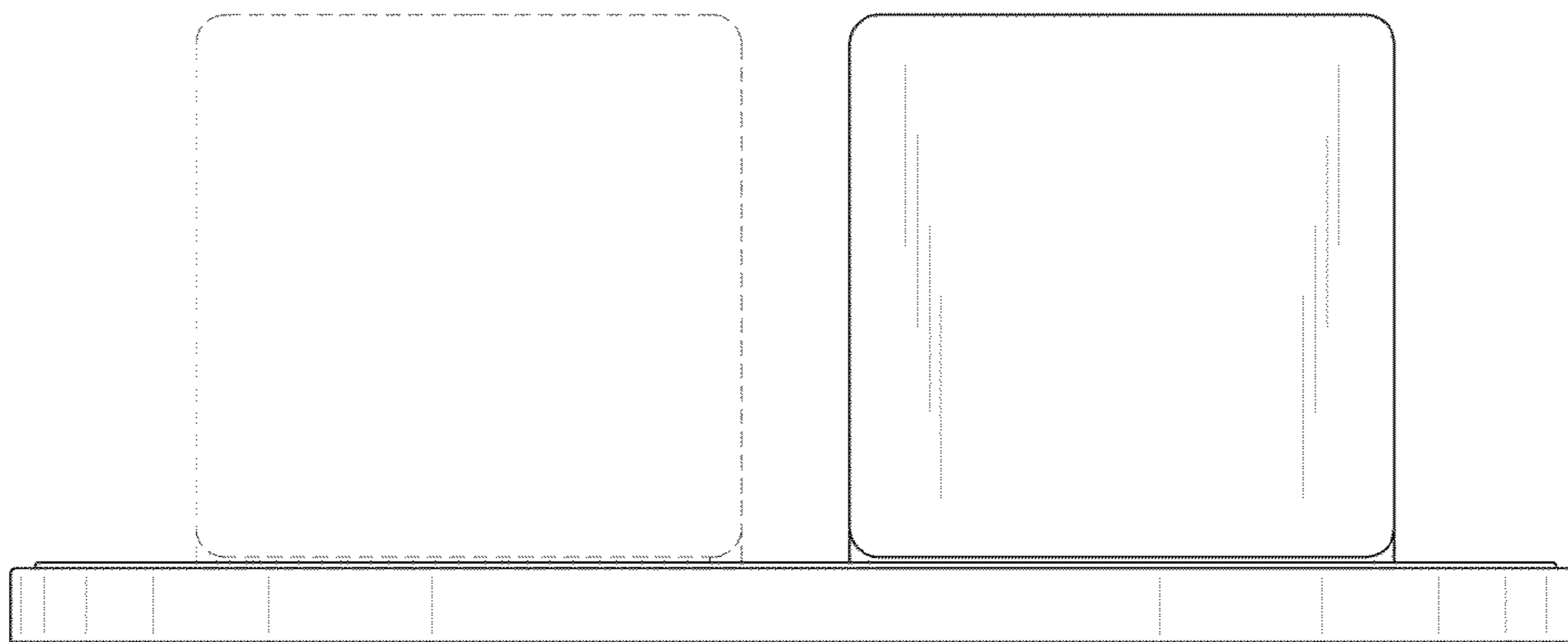


FIG. 3

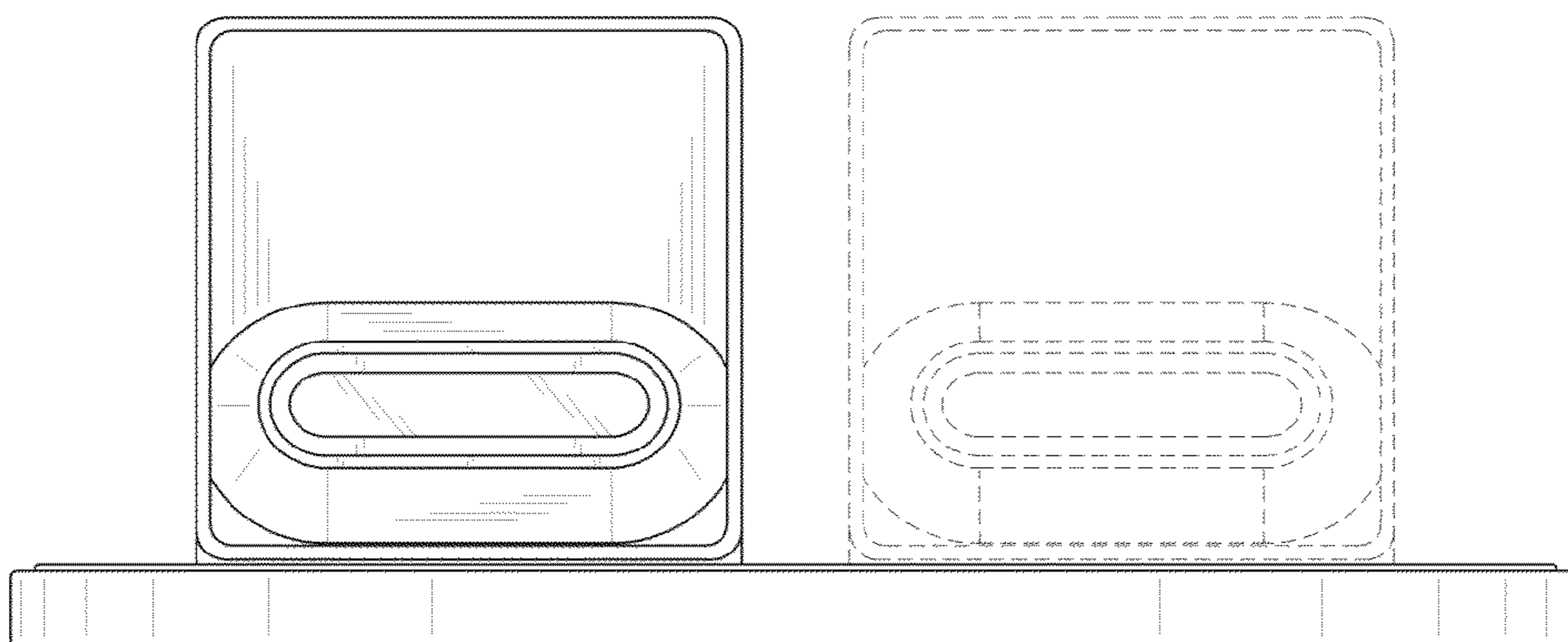


FIG. 4

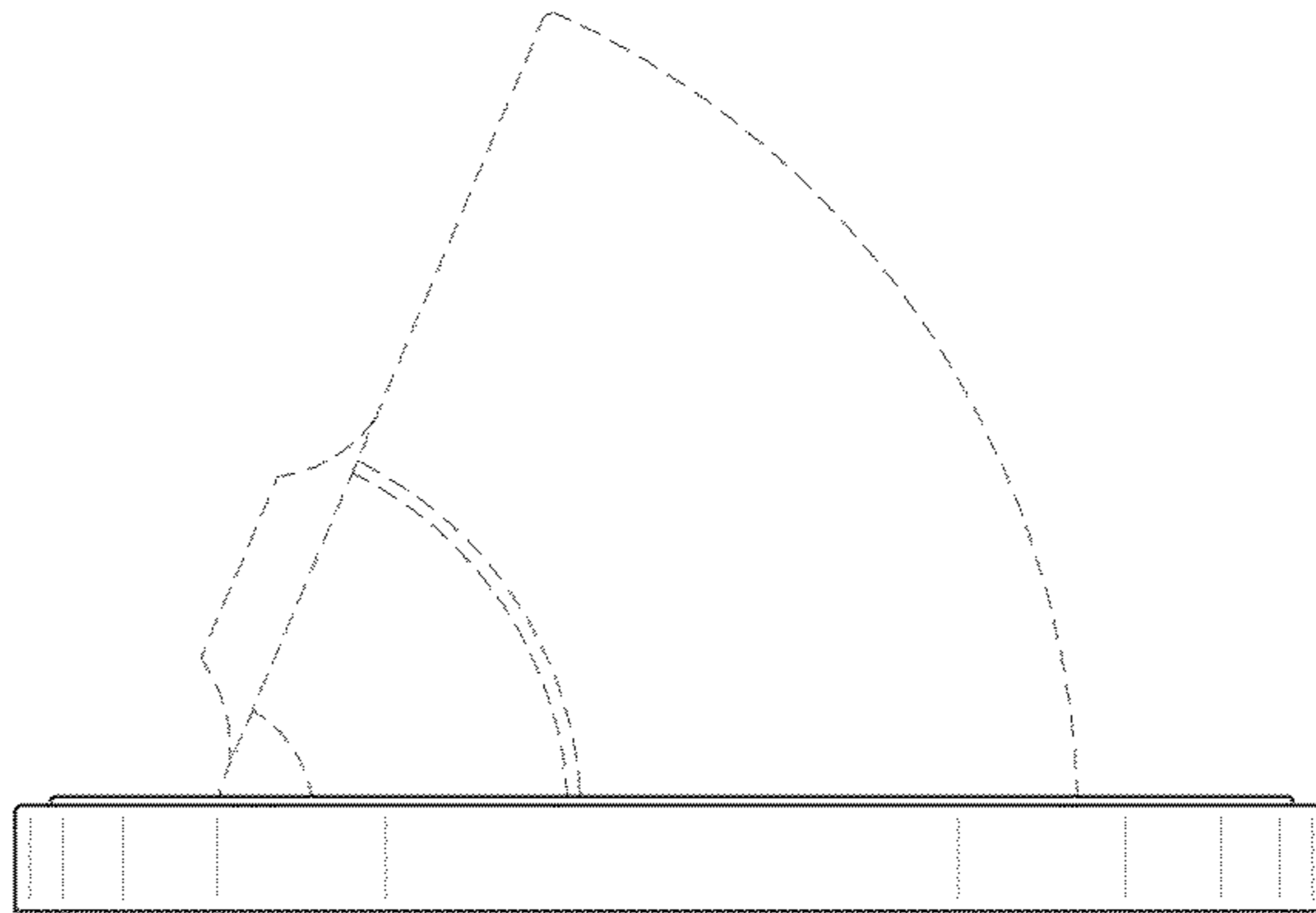


FIG. 5

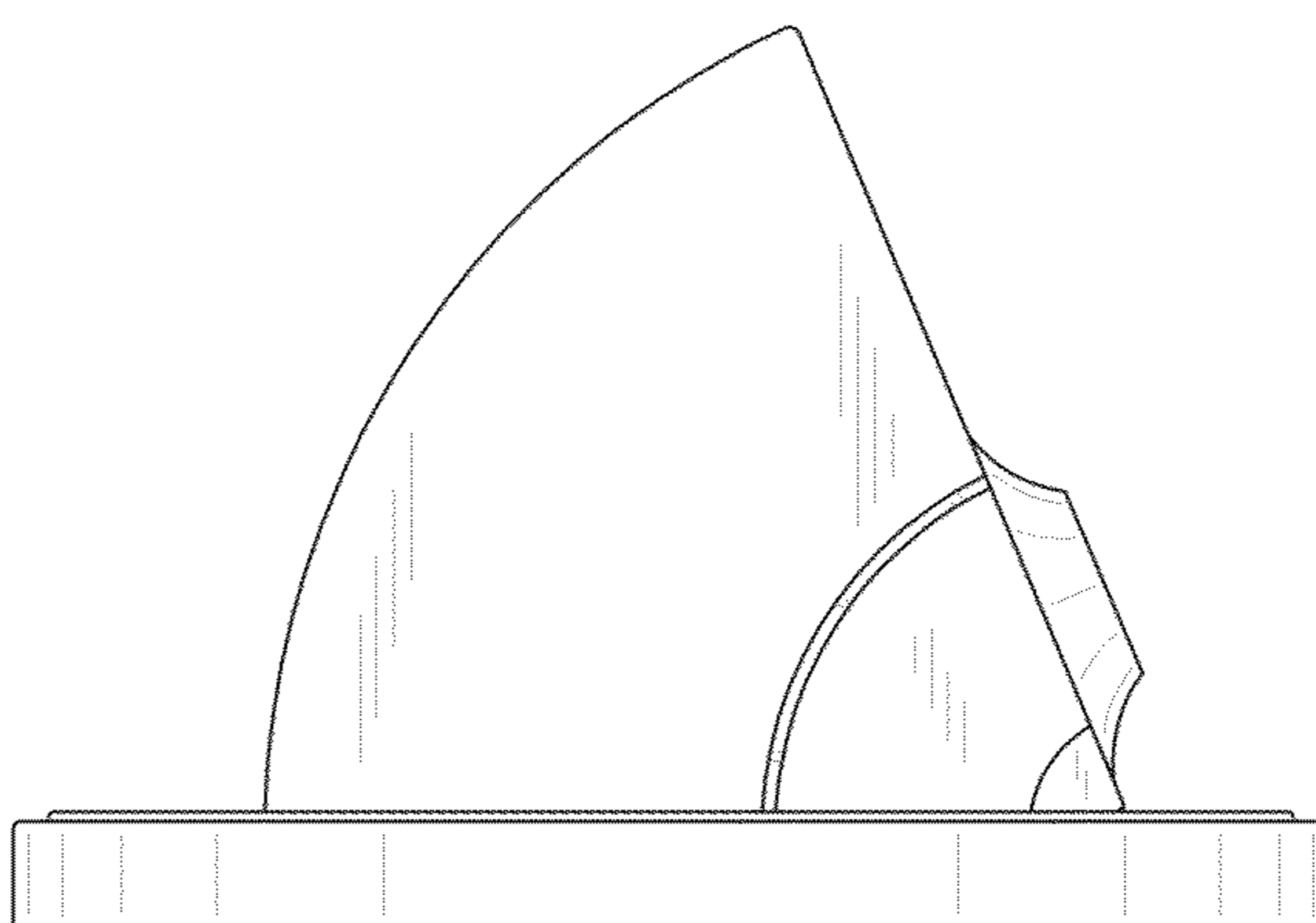


FIG. 6

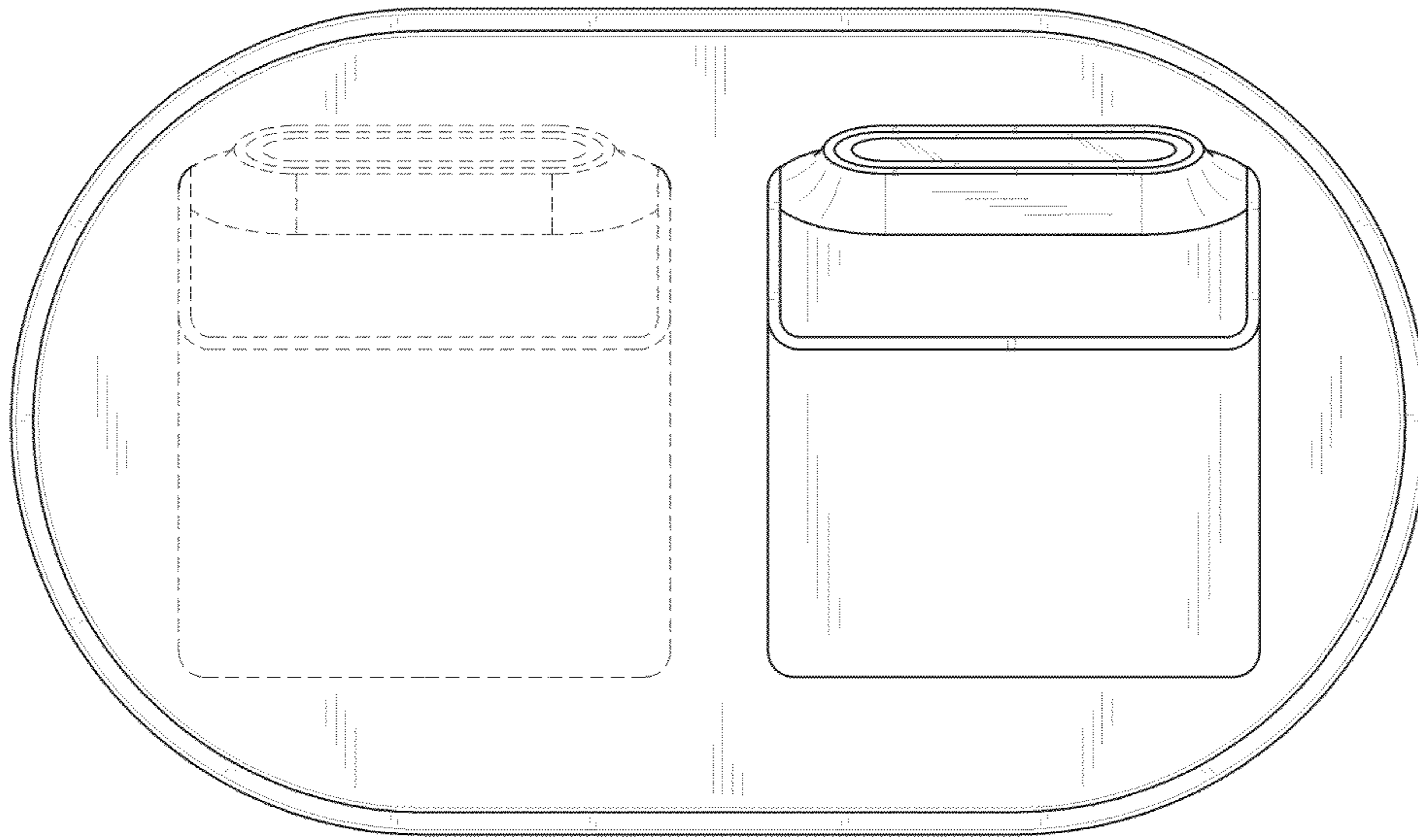


FIG. 7

