



US00D723511S

(12) **United States Design Patent**
Pedersen

(10) **Patent No.:** **US D723,511 S**
(45) **Date of Patent:** **** Mar. 3, 2015**

(54) **HEADSET**

(71) Applicant: **Mads Heje Pedersen**, Copenhagen (DK)

(72) Inventor: **Mads Heje Pedersen**, Copenhagen (DK)

(73) Assignee: **GN Netcom A/S** (DK)

(**) Term: **14 Years**

(21) Appl. No.: **29/478,177**

(22) Filed: **Jan. 1, 2014**

(30) **Foreign Application Priority Data**

Jul. 3, 2013 (EM) 002267008-0001
Jul. 3, 2013 (EM) 002267708-0002

(51) **LOC (10) Cl.** **14-01**

(52) **U.S. Cl.**
USPC **D14/206**

(58) **Field of Classification Search**
CPC H04R 25/00
USPC D14/206, 205, 223, 225; 181/129, 130,
181/135; 379/430, 431; 381/380, 381, 382,
381/371, 374; 455/90.3, 575.1
See application file for complete search history.

(56) **References Cited**

U.S. PATENT DOCUMENTS

3,272,926 A * 9/1966 Falkenberg 381/372
3,356,797 A * 12/1967 Konzelmann et al. 379/430
3,505,684 A * 4/1970 Hutchinson et al. 2/209
D228,352 S * 9/1973 Itagaki D14/205
4,542,803 A * 9/1985 Houng 181/129
D318,053 S * 7/1991 Ludeke et al. D14/206
5,033,094 A * 7/1991 Hung 381/379
D482,019 S * 11/2003 Petersen et al. D14/206

D494,154 S * 8/2004 Polito D14/206
D505,413 S * 5/2005 Skulley et al. D14/223
D514,086 S * 1/2006 Skulley D14/206
D517,528 S * 3/2006 Skulley D14/206
D518,479 S * 4/2006 Skulley D14/225
D530,307 S * 10/2006 Rath D14/206
D530,702 S * 10/2006 Pritchard et al. D14/206
D531,165 S * 10/2006 Rath D14/206
D533,166 S * 12/2006 Marquez D14/225
D549,216 S * 8/2007 Viduya et al. D14/206
D601,543 S * 10/2009 Bentley D14/206
D602,001 S * 10/2009 Bentley D14/206
D628,189 S 11/2010 Rath
D645,023 S * 9/2011 Brandis D14/206
D666,168 S * 8/2012 Rath D14/206
D673,524 S * 1/2013 Brennwald D14/206
D684,559 S * 6/2013 Groset et al. D14/205
D686,593 S * 7/2013 Larsen D14/205
D691,113 S * 10/2013 Gougherty et al. D14/206
RE44,672 E * 12/2013 Yang et al. D14/223
D706,244 S * 6/2014 Goransson D14/225

* cited by examiner

Primary Examiner — Paula Greene

(74) *Attorney, Agent, or Firm* — Altera Law Group, LLC

(57) **CLAIM**

The ornamental design for a headset, as shown and described.

DESCRIPTION

FIG. 1 is a perspective view of the headset.

FIG. 2 is a front view thereof.

FIG. 3 is a back view thereof.

FIG. 4 is a side view thereof.

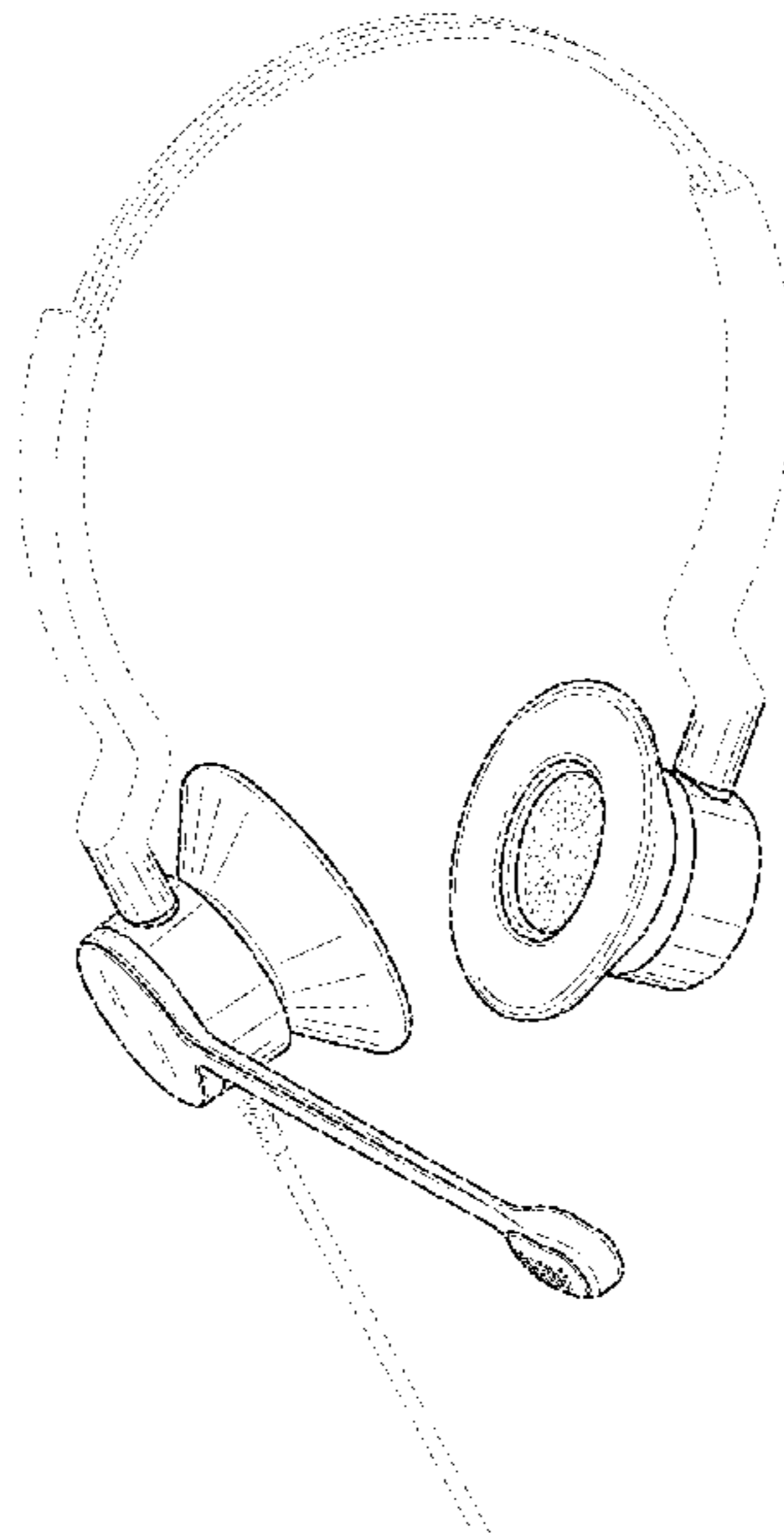
FIG. 5 is the other side thereof.

FIG. 6 is a top view thereof; and,

FIG. 7 is a bottom view thereof.

The features shown in broken lines depict environmental subject matter only and form no part of the claimed design

1 Claim, 7 Drawing Sheets



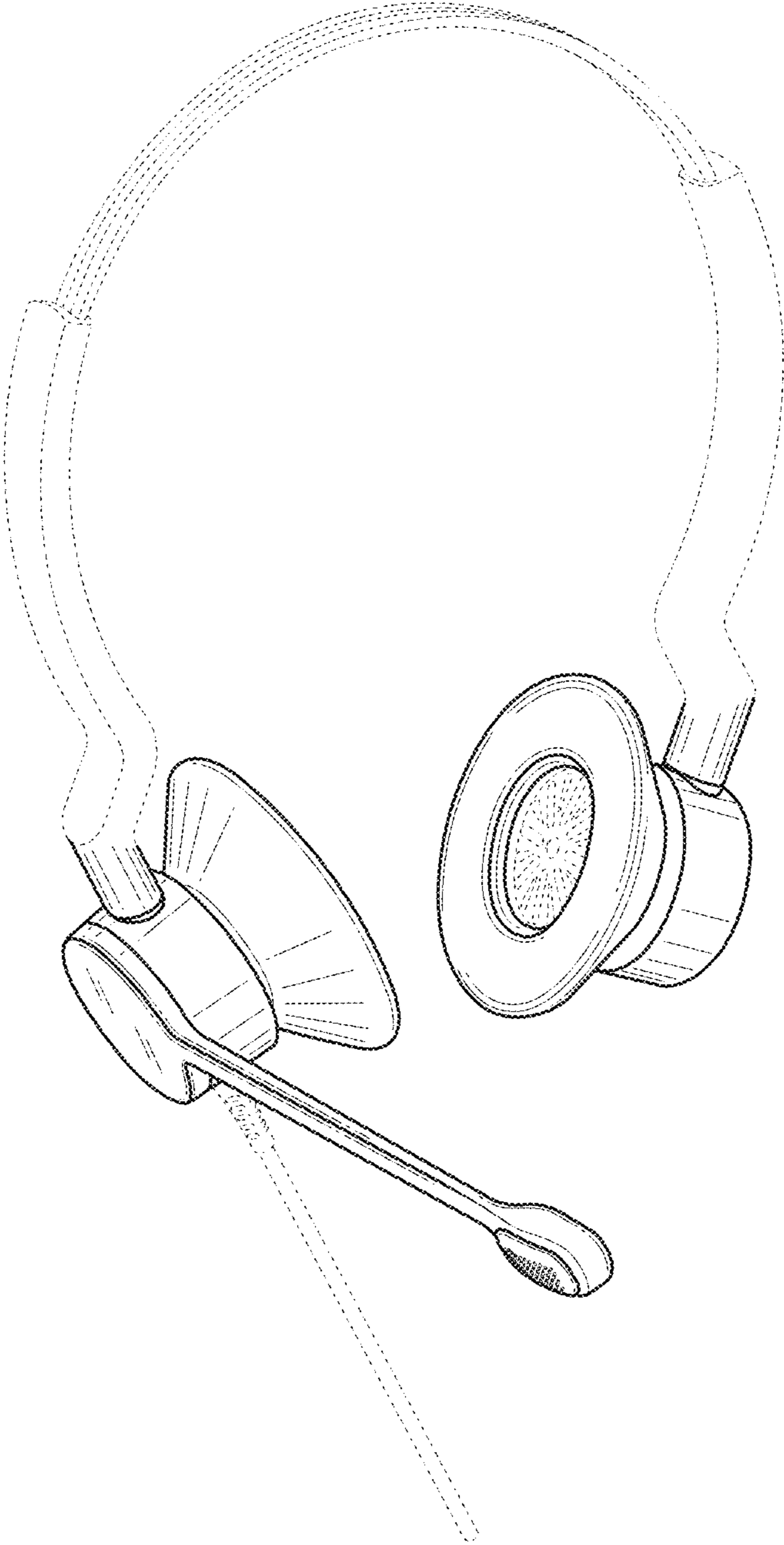


Fig. 1

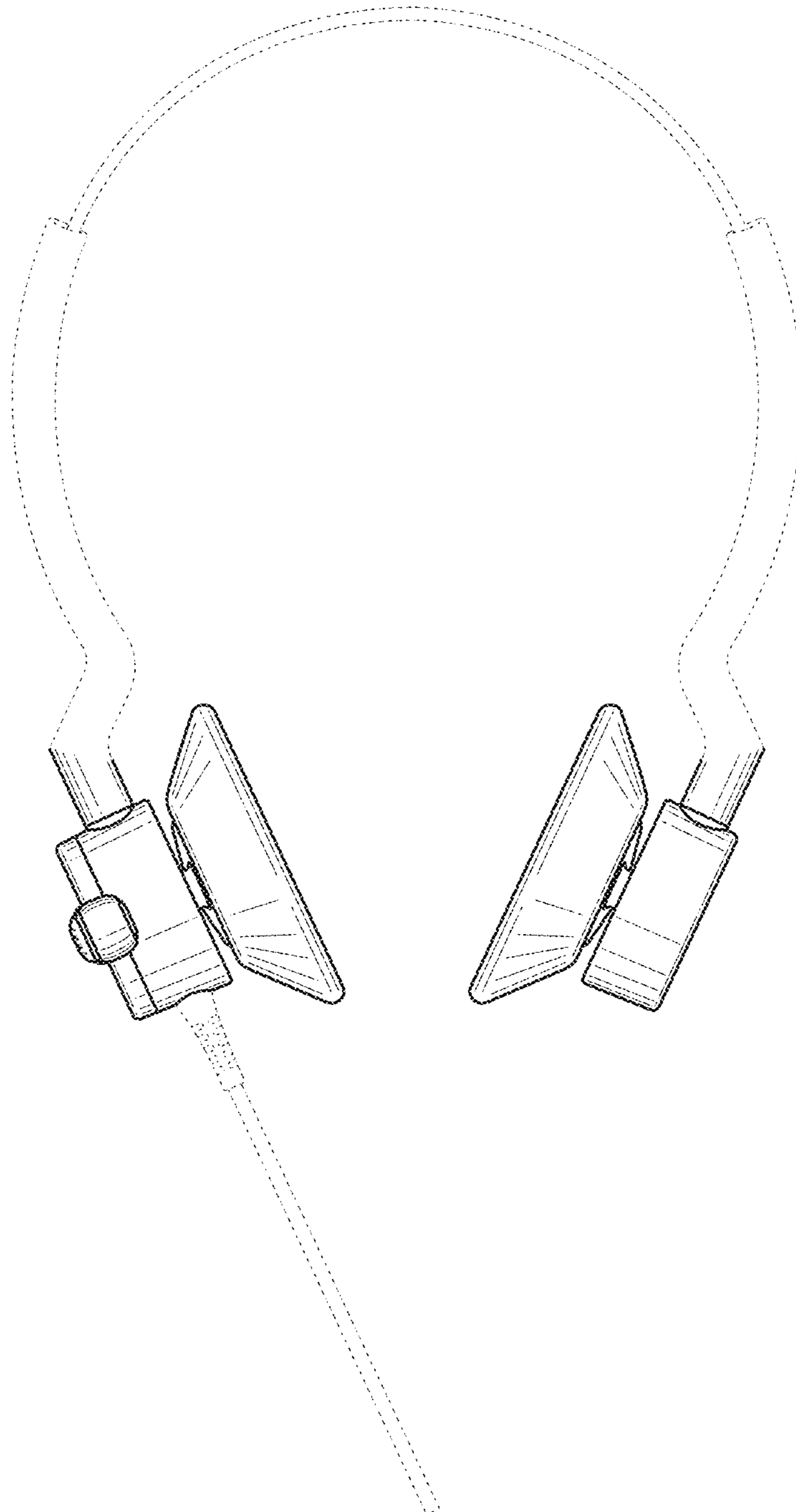


Fig. 2

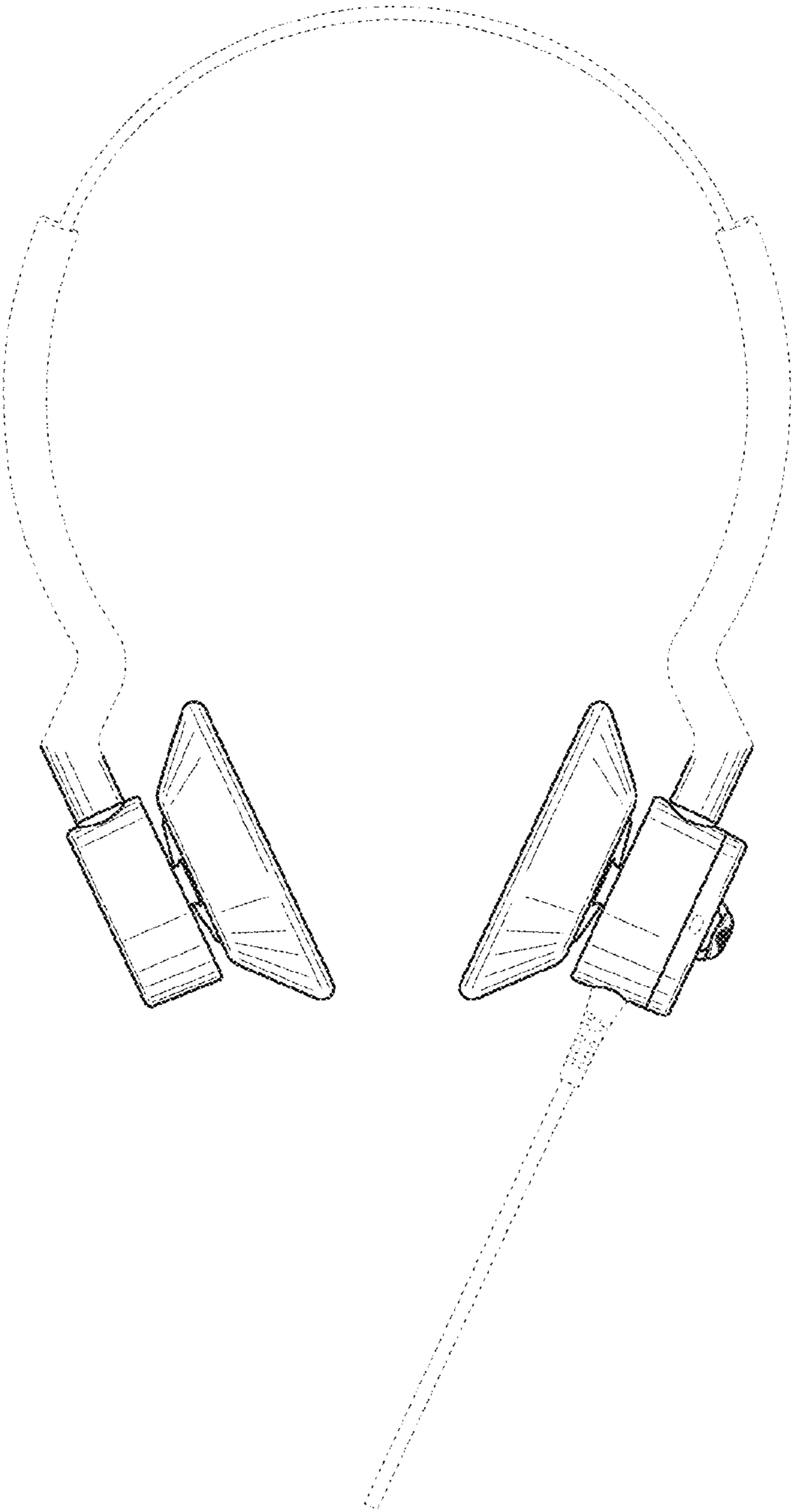


Fig. 3

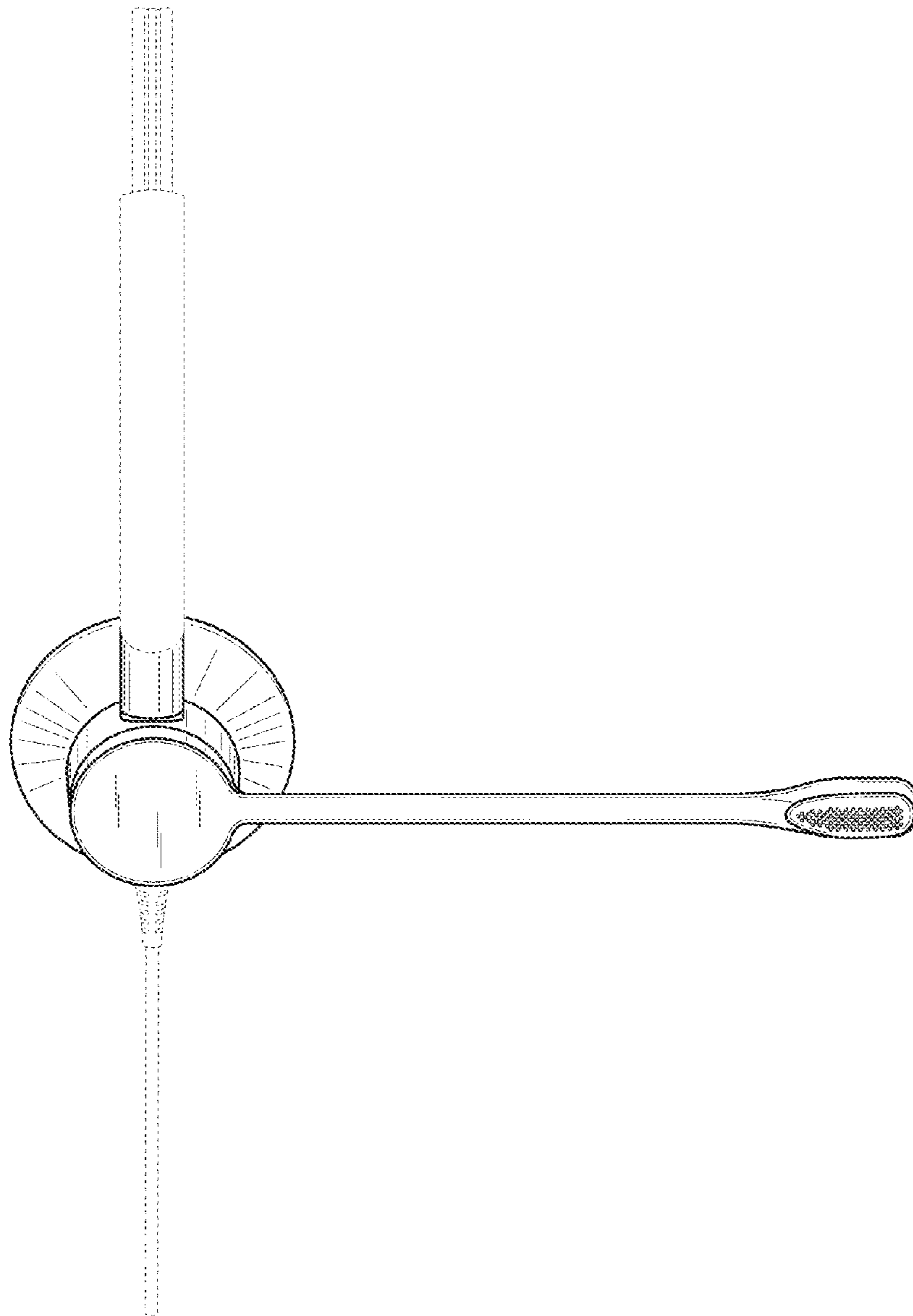


Fig. 4

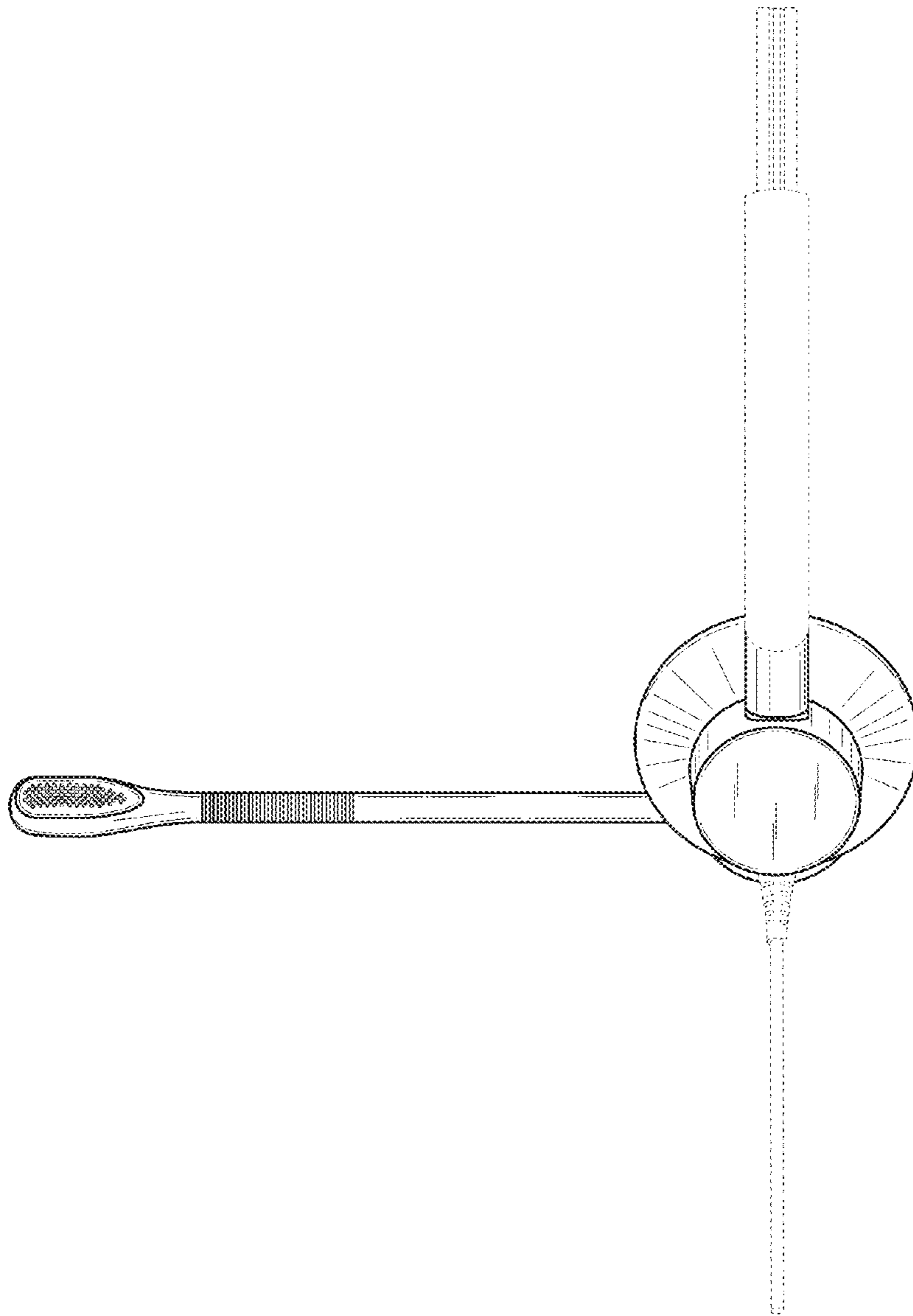


Fig. 5

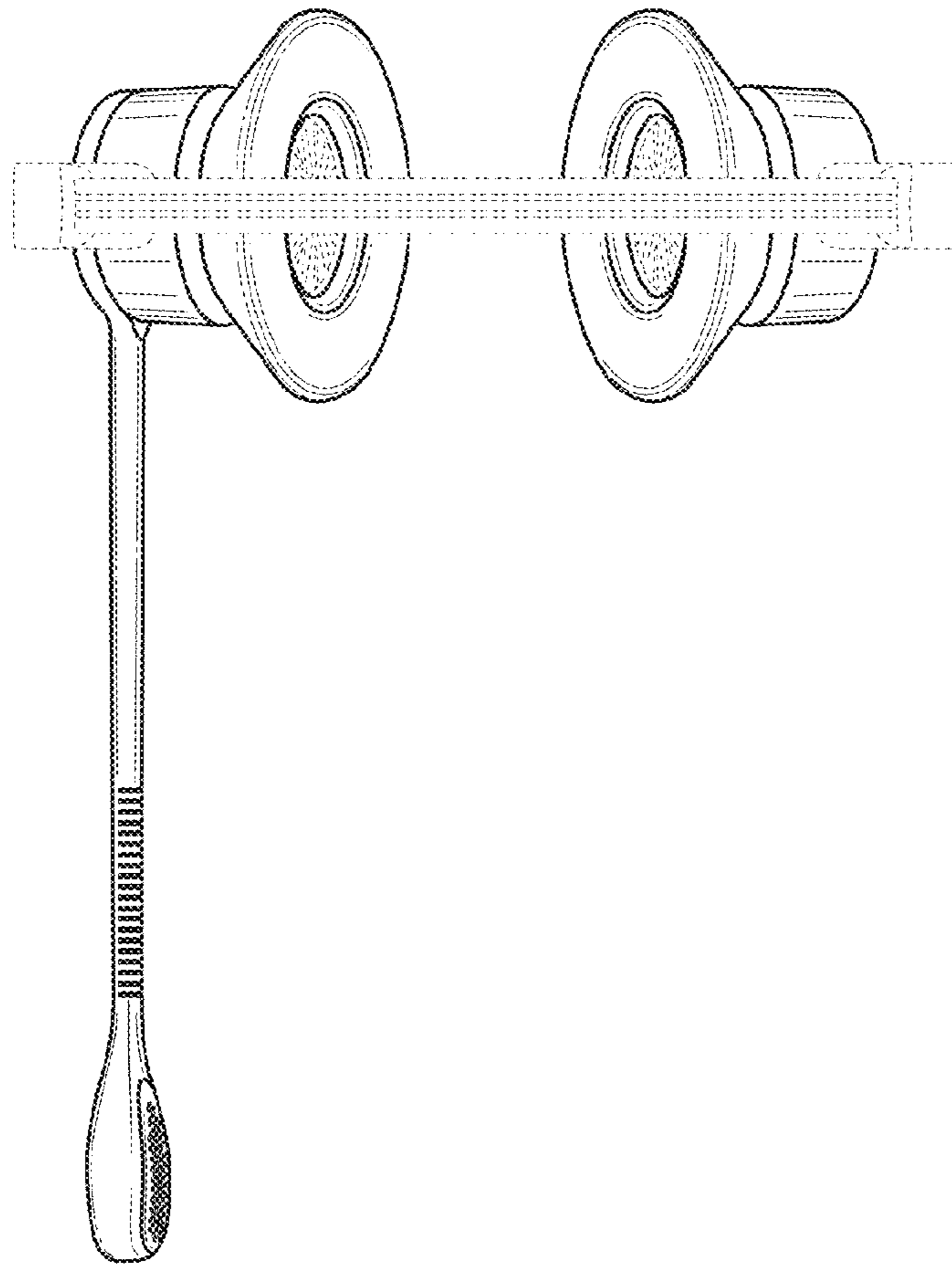


Fig. 6

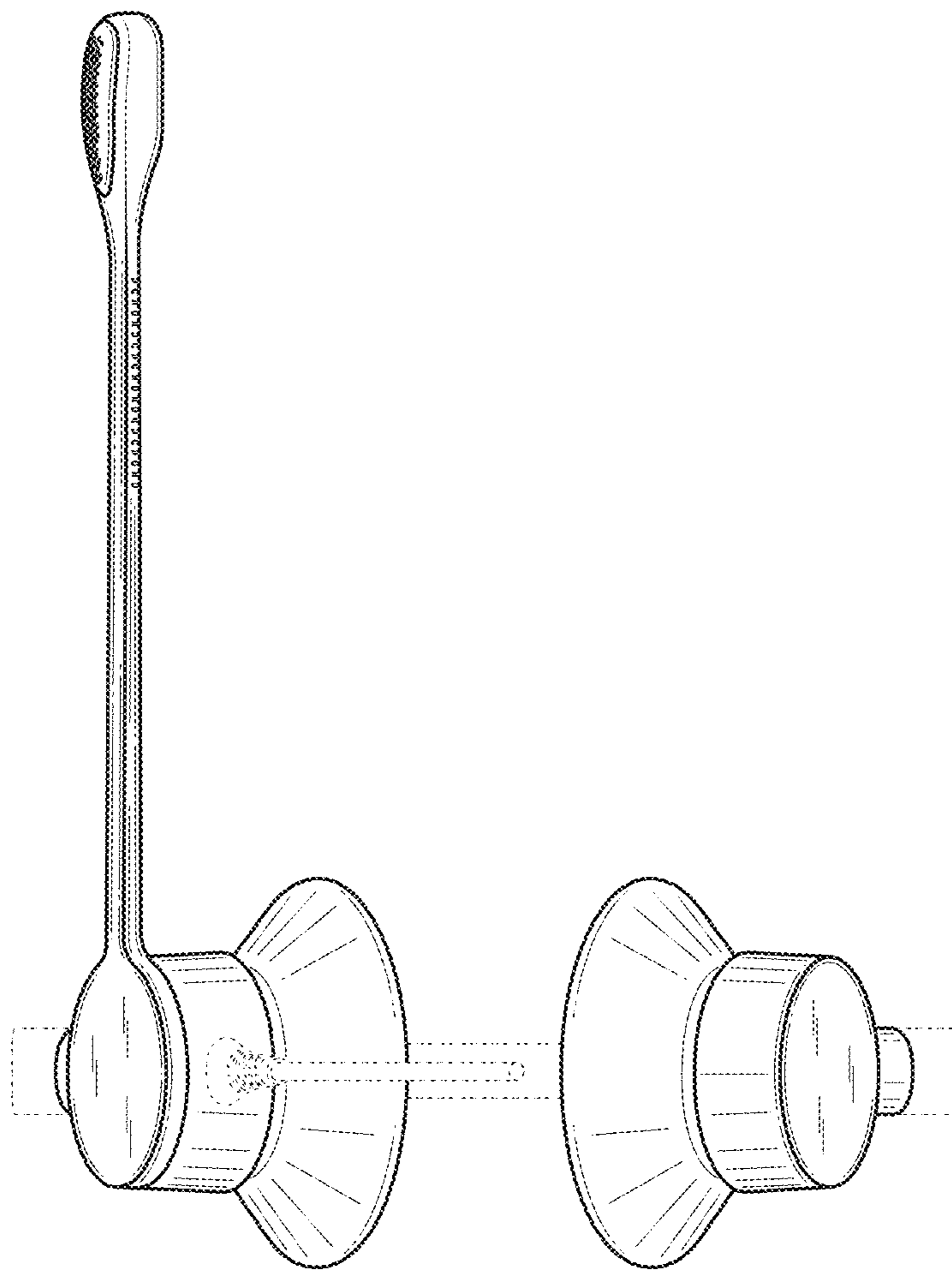


Fig. 7