



US00D723510S

(12) **United States Design Patent**  
**Ishikura**

(10) **Patent No.:** **US D723,510 S**  
(45) **Date of Patent:** **\*\* Mar. 3, 2015**

(54) **HEADPHONES**

(71) Applicant: **Panasonic Corporation**, Kadoma-shi,  
Osaka (JP)

(72) Inventor: **Mikiyasu Ishikura**, Osaka (JP)

(73) Assignee: **Panasonic Intellectual Property**  
**Management Co., Ltd.**, Osaka (JP)

(\*\*) Term: **14 Years**

(21) Appl. No.: **29/481,746**

(22) Filed: **Feb. 10, 2014**

(30) **Foreign Application Priority Data**

Sep. 2, 2013 (JP) ..... 2013-020224

(51) **LOC (10) Cl.** ..... **14-01**

(52) **U.S. Cl.**  
USPC ..... **D14/205**

(58) **Field of Classification Search**  
CPC ..... H04R 1/1066  
USPC ..... D14/205; D29/112; 2/209; 181/129,  
181/130, 135; 379/430, 431; 381/380, 381;  
455/90.3, 575.1

See application file for complete search history.

(56) **References Cited**

**U.S. PATENT DOCUMENTS**

|           |   |   |         |             |       |         |
|-----------|---|---|---------|-------------|-------|---------|
| D318,669  | S | * | 7/1991  | Nakayama    | ..... | D14/205 |
| D331,057  | S | * | 11/1992 | Isonaga     | ..... | D14/205 |
| D331,408  | S | * | 12/1992 | Ellermeier  | ..... | D14/205 |
| D337,587  | S | * | 7/1993  | Nakayama    | ..... | D14/205 |
| D350,354  | S | * | 9/1994  | Nakamura    | ..... | D14/205 |
| D351,597  | S | * | 10/1994 | Nakamura    | ..... | D14/205 |
| D368,716  | S | * | 4/1996  | Shudo       | ..... | D14/205 |
| D371,558  | S | * | 7/1996  | Yoshizawa   | ..... | D14/205 |
| 5,829,062 | A | * | 11/1998 | Magidson    | ..... | 2/209   |
| 6,105,714 | A | * | 8/2000  | Lindgren    | ..... | 181/135 |
| 6,123,168 | A | * | 9/2000  | Berg et al. | ..... | 181/129 |

|           |    |   |         |                    |       |         |
|-----------|----|---|---------|--------------------|-------|---------|
| 6,233,345 | B1 | * | 5/2001  | Urwyler            | ..... | 381/381 |
| D458,245  | S  | * | 6/2002  | Masuda             | ..... | D14/205 |
| D471,176  | S  | * | 3/2003  | Suzuki             | ..... | D14/205 |
| 6,603,863 | B1 | * | 8/2003  | Nagayoshi          | ..... | 381/380 |
| D502,463  | S  | * | 3/2005  | Bhakta             | ..... | D14/205 |
| D533,539  | S  | * | 12/2006 | Mah                | ..... | D14/205 |
| D550,202  | S  | * | 9/2007  | Meier et al.       | ..... | D14/206 |
| D559,831  | S  | * | 1/2008  | Lee                | ..... | D14/205 |
| D560,206  | S  | * | 1/2008  | Hermansen          | ..... | D14/206 |
| D575,268  | S  | * | 8/2008  | Christopher et al. | ..... | D14/205 |
| D579,442  | S  | * | 10/2008 | Kim et al.         | ..... | D14/205 |
| D587,678  | S  | * | 3/2009  | Yuyama             | ..... | D14/205 |
| D590,810  | S  | * | 4/2009  | Komiyama           | ..... | D14/205 |
| D593,067  | S  | * | 5/2009  | Millora et al.     | ..... | D14/205 |
| D594,442  | S  | * | 6/2009  | Chon et al.        | ..... | D14/205 |
| D599,777  | S  | * | 9/2009  | Yuyama             | ..... | D14/205 |
| D601,125  | S  | * | 9/2009  | Komiyama           | ..... | D14/205 |
| D617,308  | S  | * | 6/2010  | Nousiainen et al.  | ..... | D14/205 |
| D630,186  | S  | * | 1/2011  | Yang               | ..... | D14/205 |
| D645,444  | S  | * | 9/2011  | Quek               | ..... | D14/205 |
| D653,234  | S  | * | 1/2012  | Lee et al.         | ..... | D14/205 |
| D669,881  | S  | * | 10/2012 | Clements et al.    | ..... | D14/205 |
| D678,857  | S  | * | 3/2013  | Feng et al.        | ..... | D14/205 |

(Continued)

*Primary Examiner* — Paula Greene

(74) *Attorney, Agent, or Firm* — Brinks Gilson & Lione

(57) **CLAIM**

I claim the ornamental design for headphones, as shown and described.

**DESCRIPTION**

FIG. 1 is a front perspective view of headphones of the present invention;

FIG. 2 is a front view thereof;

FIG. 3 is a rear view thereof;

FIG. 4 is a first side view thereof;

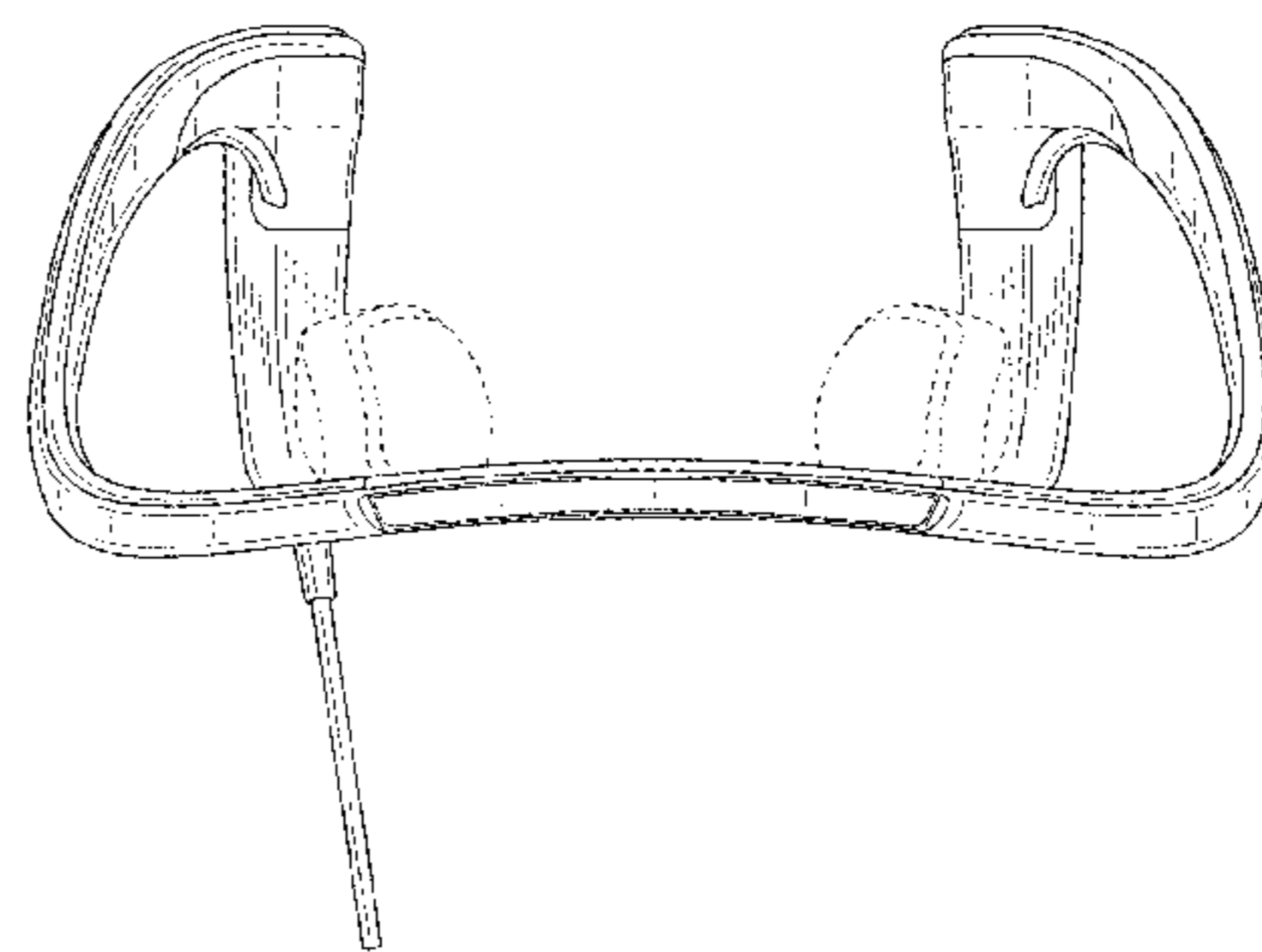
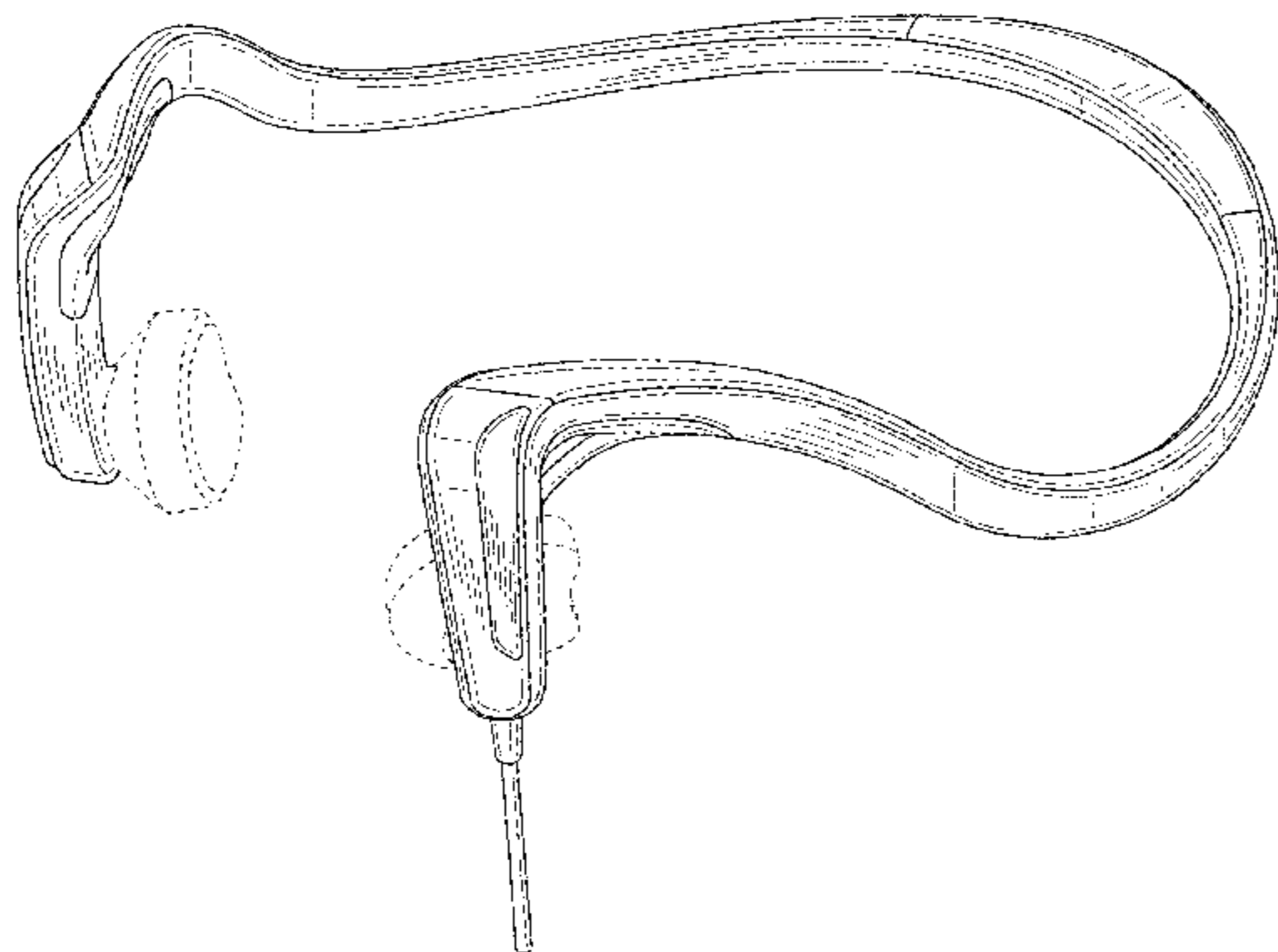
FIG. 5 is a second side view thereof;

FIG. 6 is a top view thereof; and,

FIG. 7 is a bottom view thereof.

The broken lines shown represent unclaimed subject matter and form no part of the claimed design.

**1 Claim, 7 Drawing Sheets**



(56)

**References Cited**

U.S. PATENT DOCUMENTS

D678,858 S \* 3/2013 Feng et al. .... D14/205  
8,411,893 B2 \* 4/2013 Ito et al. .... 381/381  
8,433,082 B2 \* 4/2013 Abolfathi ..... 381/151  
D690,681 S \* 10/2013 Ito et al. .... D14/205  
D691,105 S \* 10/2013 Ito et al. .... D14/205

D695,264 S \* 12/2013 Chee ..... D14/205  
D703,634 S \* 4/2014 Han ..... D14/205  
D706,745 S \* 6/2014 Nakagawa ..... D14/205  
D707,199 S \* 6/2014 Cepress et al. .... D14/205  
D716,759 S \* 11/2014 Ha et al. .... D14/205  
2011/0170702 A1 \* 7/2011 Bays ..... 381/74  
2011/0170703 A1 \* 7/2011 Palma ..... 381/74  
2014/0185837 A1 \* 7/2014 Kunimoto et al. .... 381/151

\* cited by examiner

FIG. 1

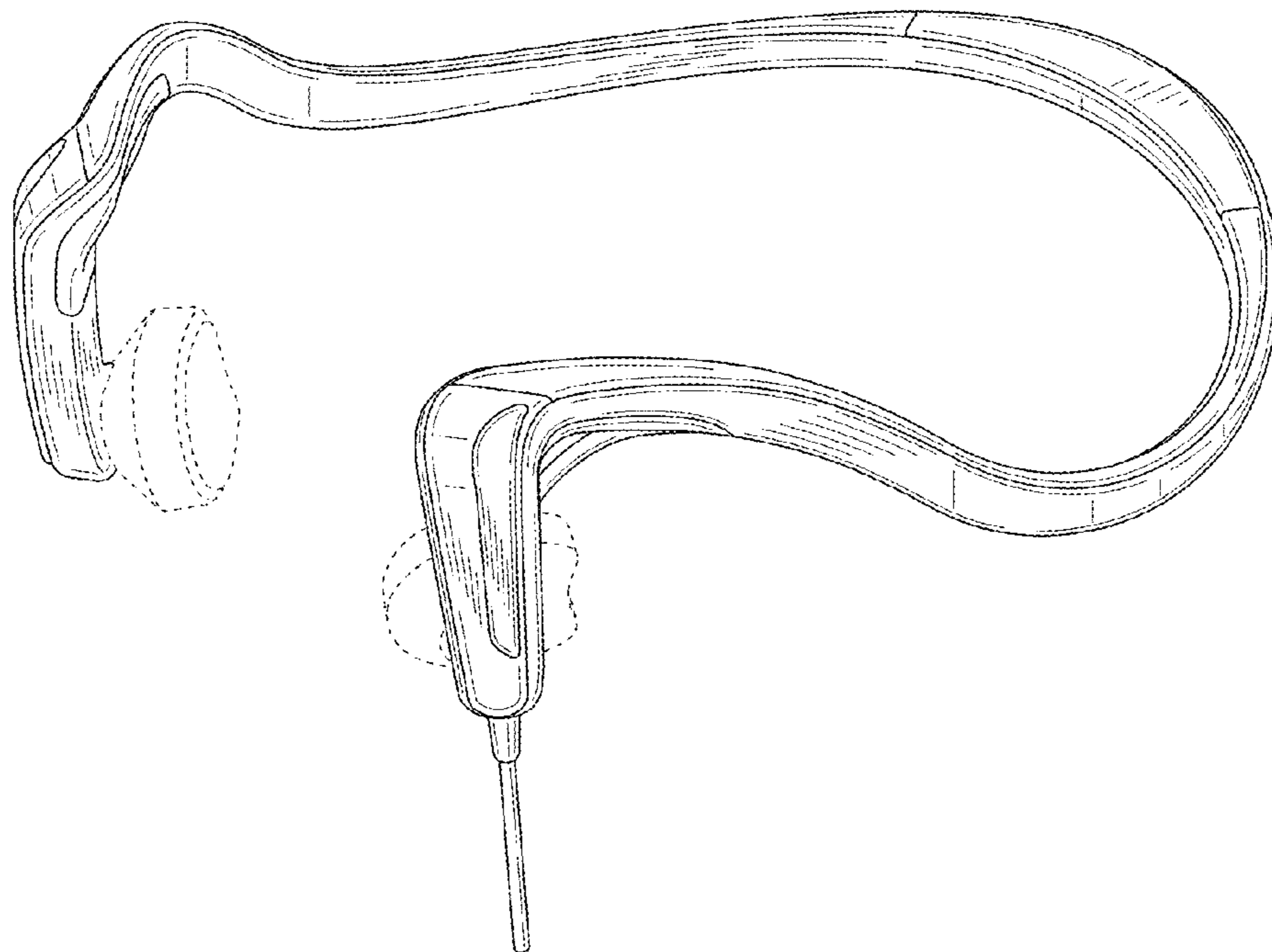


FIG.2

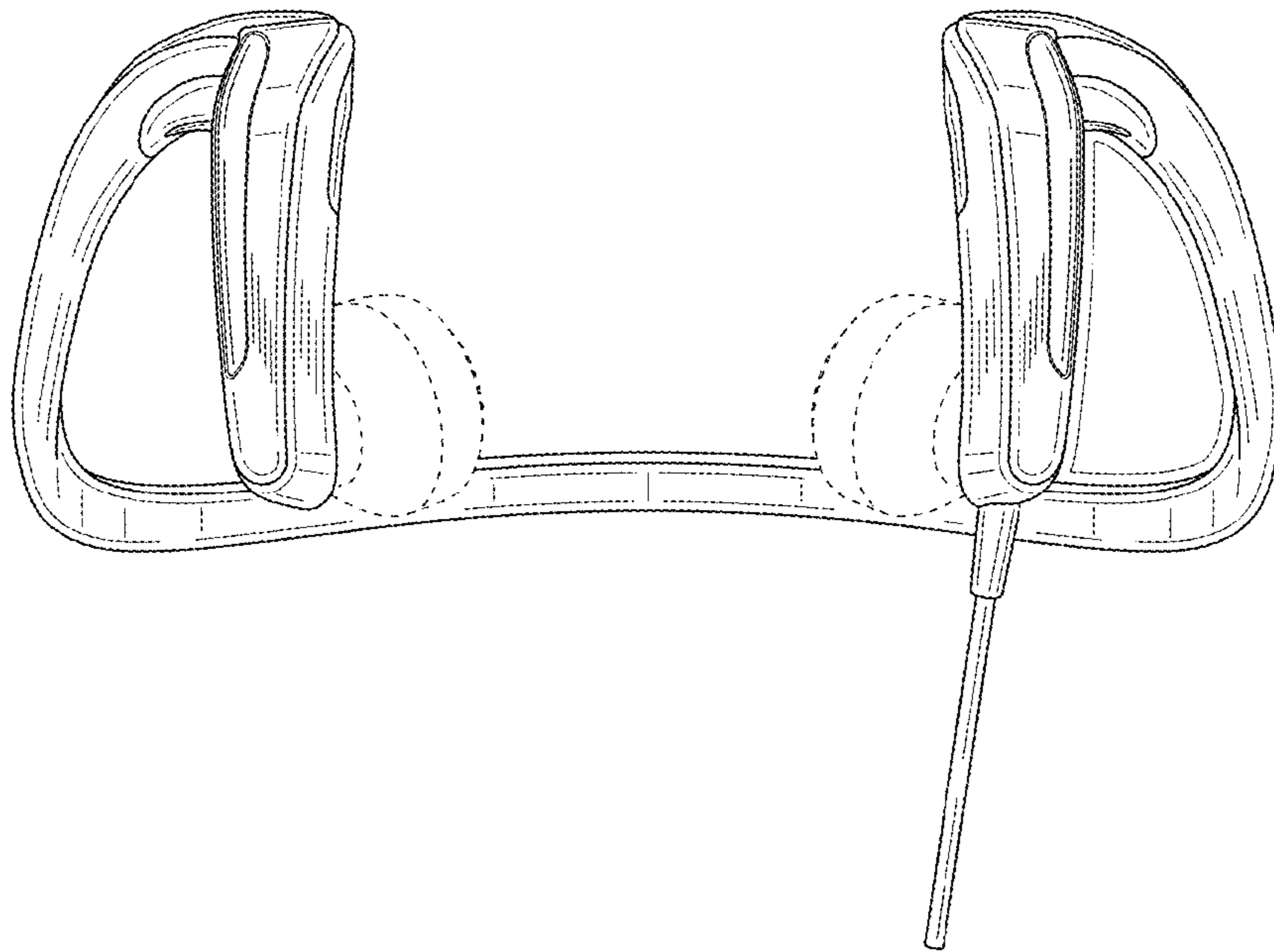


FIG.3

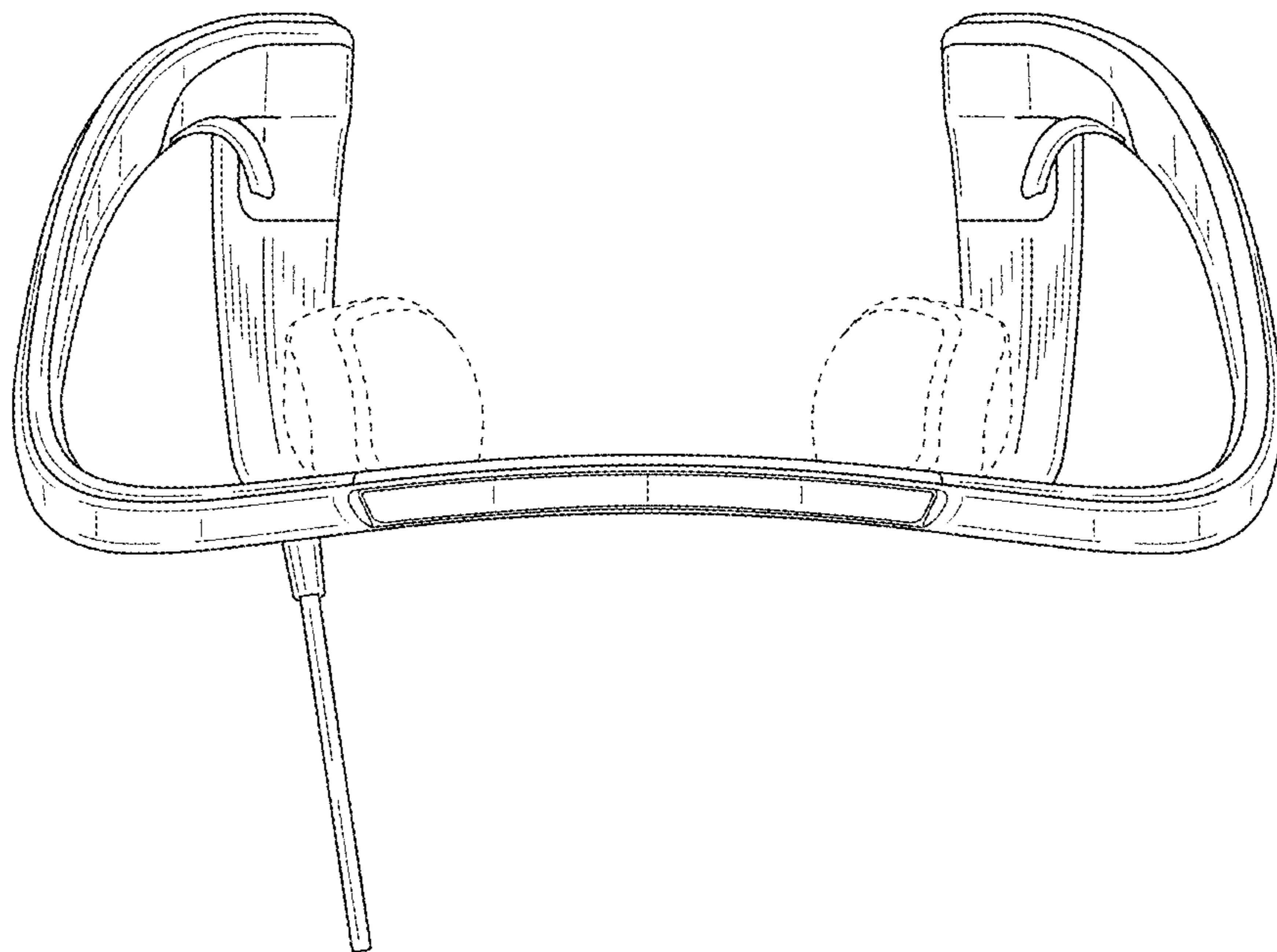


FIG.4

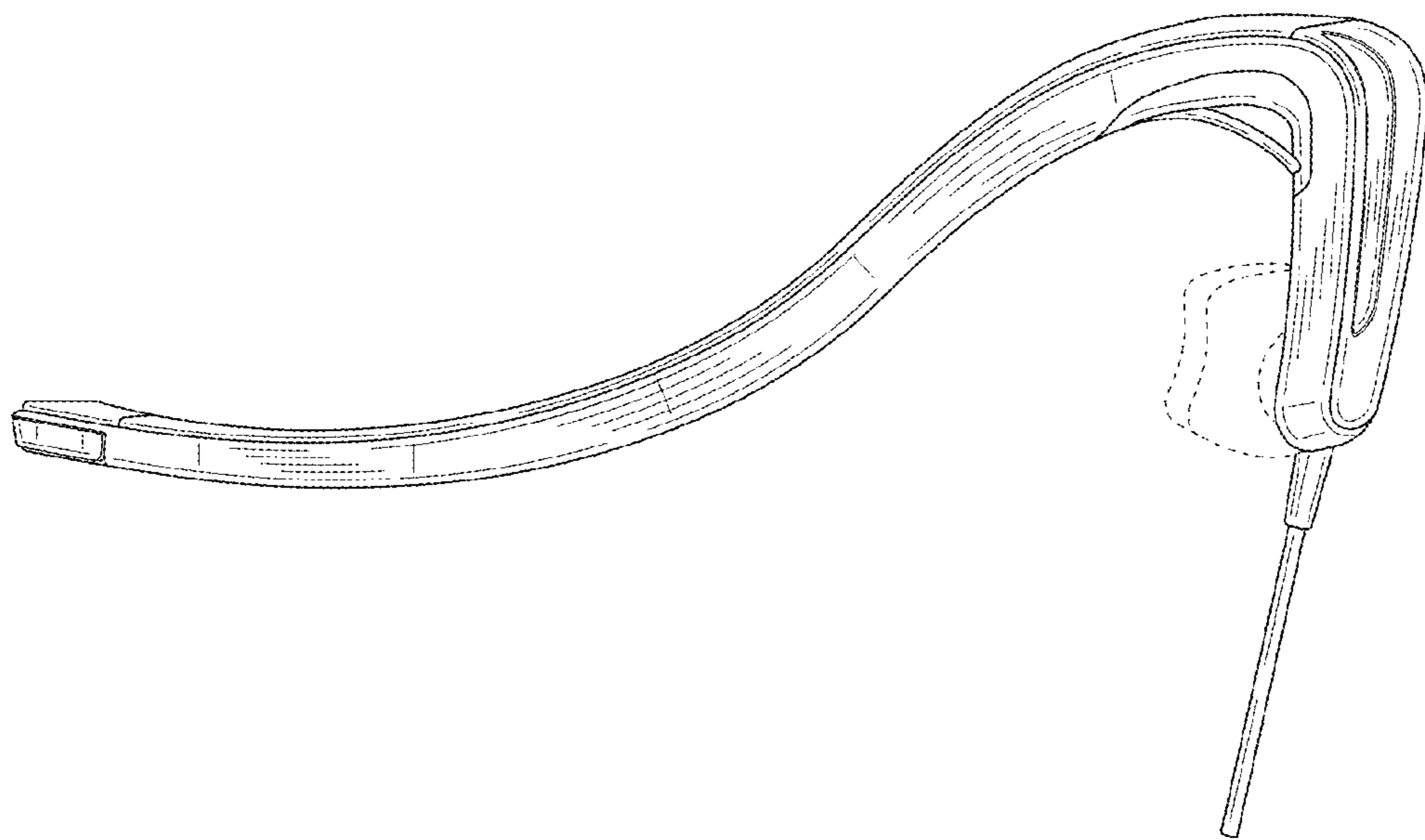




FIG.5

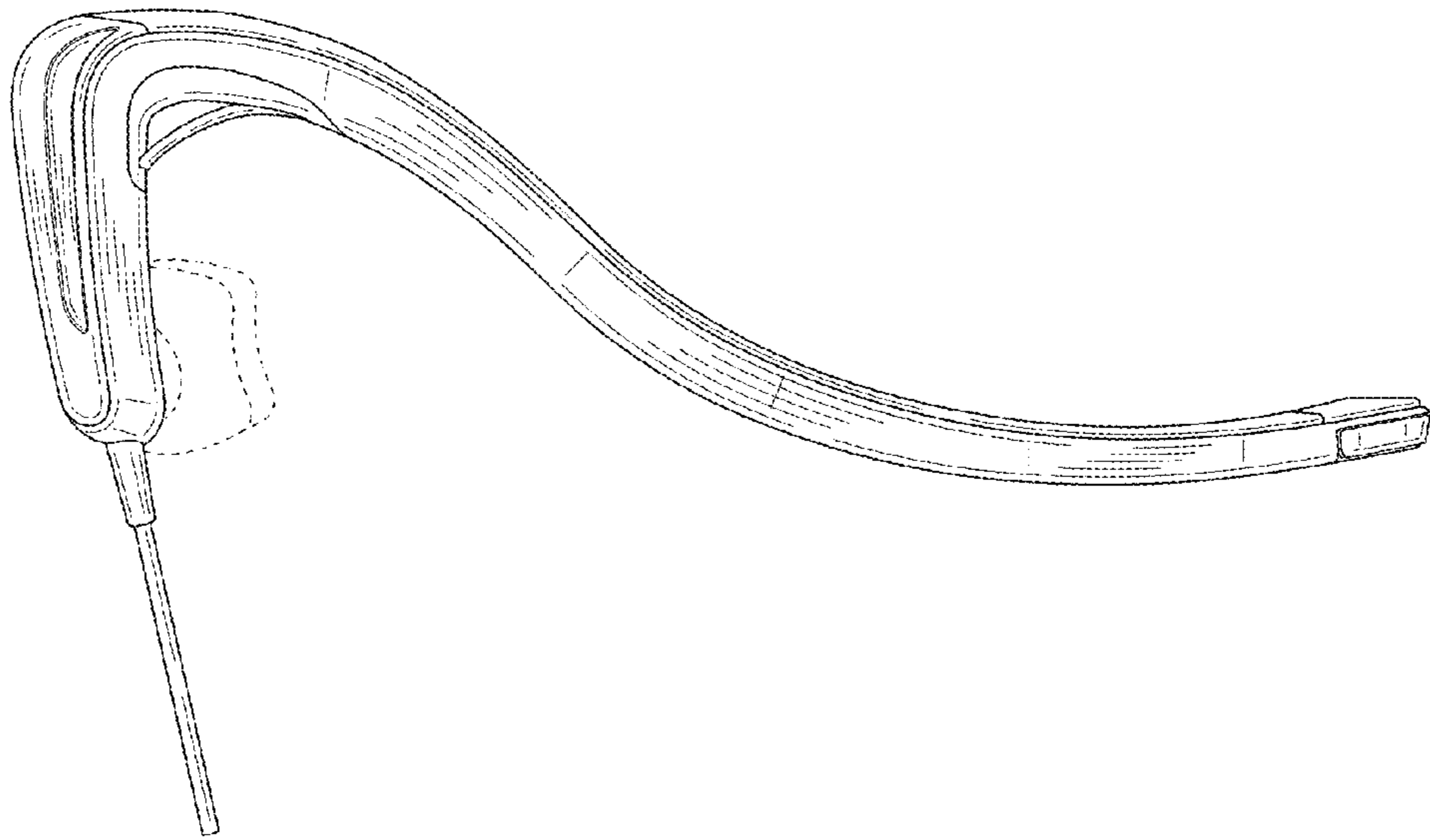


FIG.6

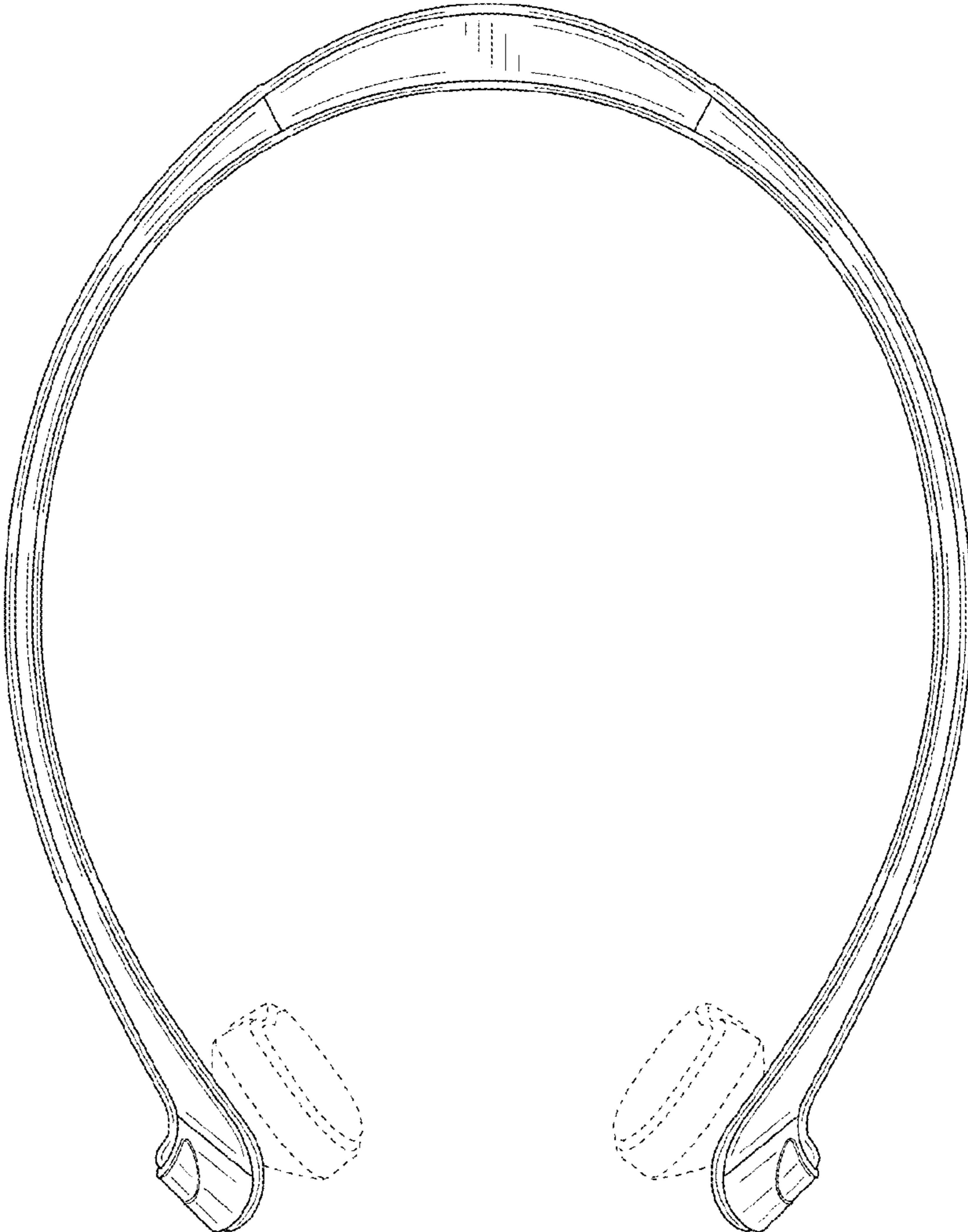




FIG. 7

