



US00D723509S

(12) **United States Design Patent**  
**Garland et al.**

(10) **Patent No.:** **US D723,509 S**  
(45) **Date of Patent:** **\*\* Mar. 3, 2015**

(54) **HEADPHONE**

(71) Applicant: **Harman International Industries, Incorporated**, Northridge, CA (US)

(72) Inventors: **Tylor Garland**, Los Angeles, CA (US);  
**Stephen Bradford**, Los Angeles, CA (US)

(73) Assignee: **Harman International Industries, Incorporated**, Northridge, CA (US)

(\*\*) Term: **14 Years**

(21) Appl. No.: **29/478,790**

(22) Filed: **Jan. 8, 2014**

**Related U.S. Application Data**

(62) Division of application No. 29/451,697, filed on Apr. 5, 2013, now abandoned.

(51) **LOC (10) Cl.** ..... **14-01**

(52) **U.S. Cl.**  
USPC ..... **D14/205**

(58) **Field of Classification Search**  
CPC ..... H04R 1/1066  
USPC ..... D14/205, 224, 219, 216; D29/112;  
2/209; 181/129, 130, 135, 144, 148,  
181/150, 157; 379/430, 431; 381/380, 381,  
381/374; 455/90.3, 575.1

See application file for complete search history.

(56) **References Cited**

**U.S. PATENT DOCUMENTS**

3,098,307	A *	7/1963	Caldwell, Jr.	434/185
3,562,816	A *	2/1971	Hutchinson	2/209
3,575,370	A *	4/1971	Morris et al.	248/201
D225,069	S *	11/1972	May	D14/216
D253,108	S *	10/1979	Schroeder	D14/216
D254,183	S *	2/1980	Doodson	D14/205

D262,019	S *	11/1981	Upshaw	D14/205
4,733,748	A *	3/1988	Ponticelli, Jr.	181/141
4,765,580	A *	8/1988	Wright	248/181.1
D318,671	S *	7/1991	Naumann	D14/224
5,033,094	A *	7/1991	Hung	381/379
D320,020	S *	9/1991	Iwano	D14/216
D353,818	S *	12/1994	Nakamura	D14/205
D379,817	S *	6/1997	Lin	D14/223
D416,262	S *	11/1999	Petronio et al.	D14/224
D455,733	S *	4/2002	Stompler et al.	D14/224
D457,874	S *	5/2002	Yoneda	D14/205
D478,572	S *	8/2003	Dawson	D14/219
6,724,906	B2 *	4/2004	Naksen et al.	381/379
6,772,853	B2 *	8/2004	Yang	181/129
D502,939	S *	3/2005	Dayan	D14/216
D517,527	S *	3/2006	Suzuki	D14/205
D518,474	S *	4/2006	Suzuki	D14/205
D524,999	S *	7/2006	Ray	D32/3
D544,857	S *	6/2007	Milne	D14/224
D560,654	S *	1/2008	Feng	D14/205
D604,266	S *	11/2009	Milde et al.	D14/205
D620,474	S *	7/2010	Komiyama	D14/205
D657,345	S *	4/2012	Brunner et al.	D14/205
D673,520	S *	1/2013	Tan	D14/205

(Continued)

Primary Examiner — Paula Greene

(74) *Attorney, Agent, or Firm* — Plumsea Law Group, LLC

(57) **CLAIM**

The ornamental design for a headphone, as shown and described.

**DESCRIPTION**

FIG. 1 is a perspective view of a headphone showing the new design;

FIG. 2 is another perspective view thereof;

FIG. 3 is a front elevational view thereof;

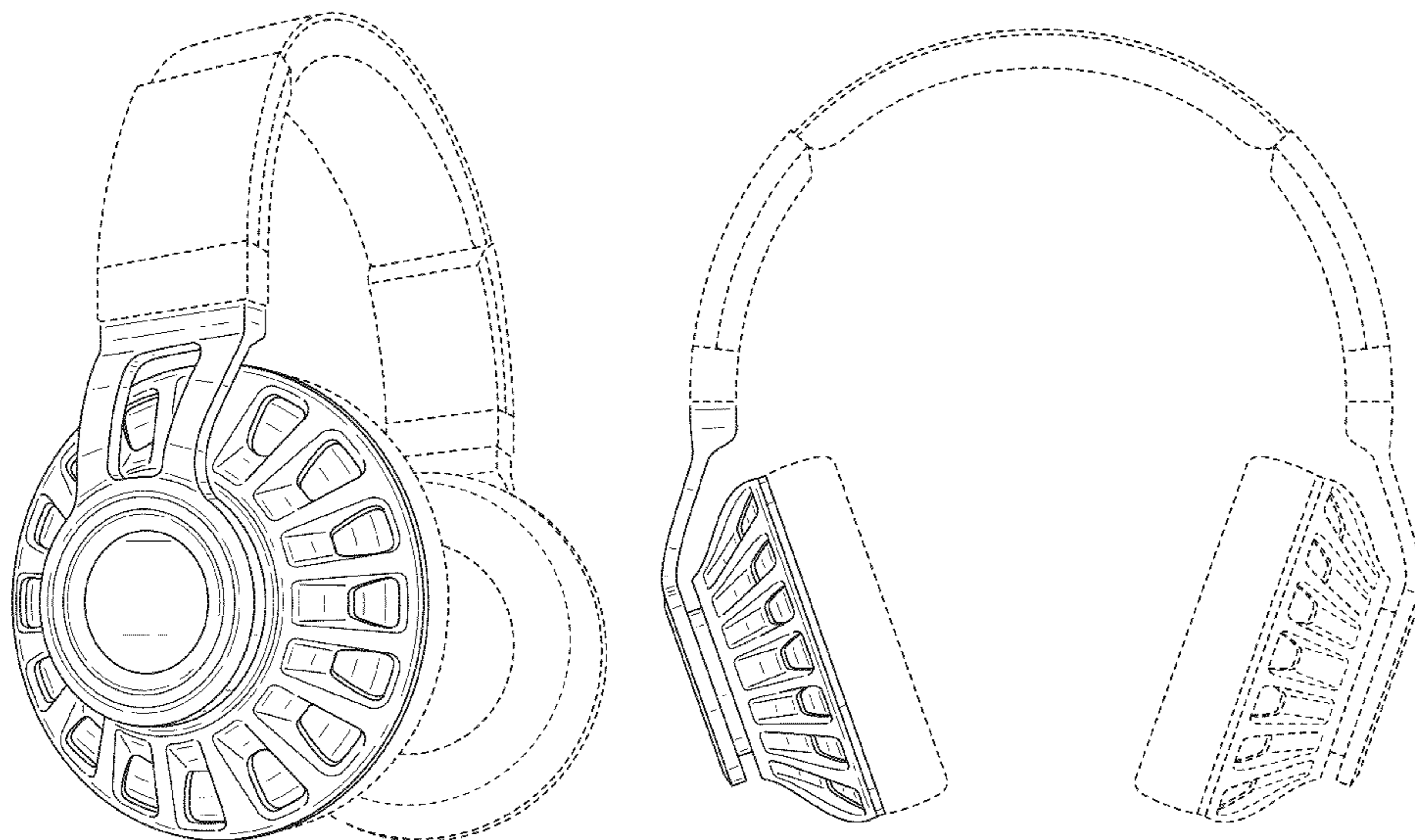
FIG. 4 is a rear elevational view thereof;

FIG. 5 a side elevational view thereof; and,

FIG. 6 is a bottom plan view thereof.

The broken line showing forms no part of the claimed design.

**1 Claim, 6 Drawing Sheets**



# US D723,509 S

Page 2

---

(56)

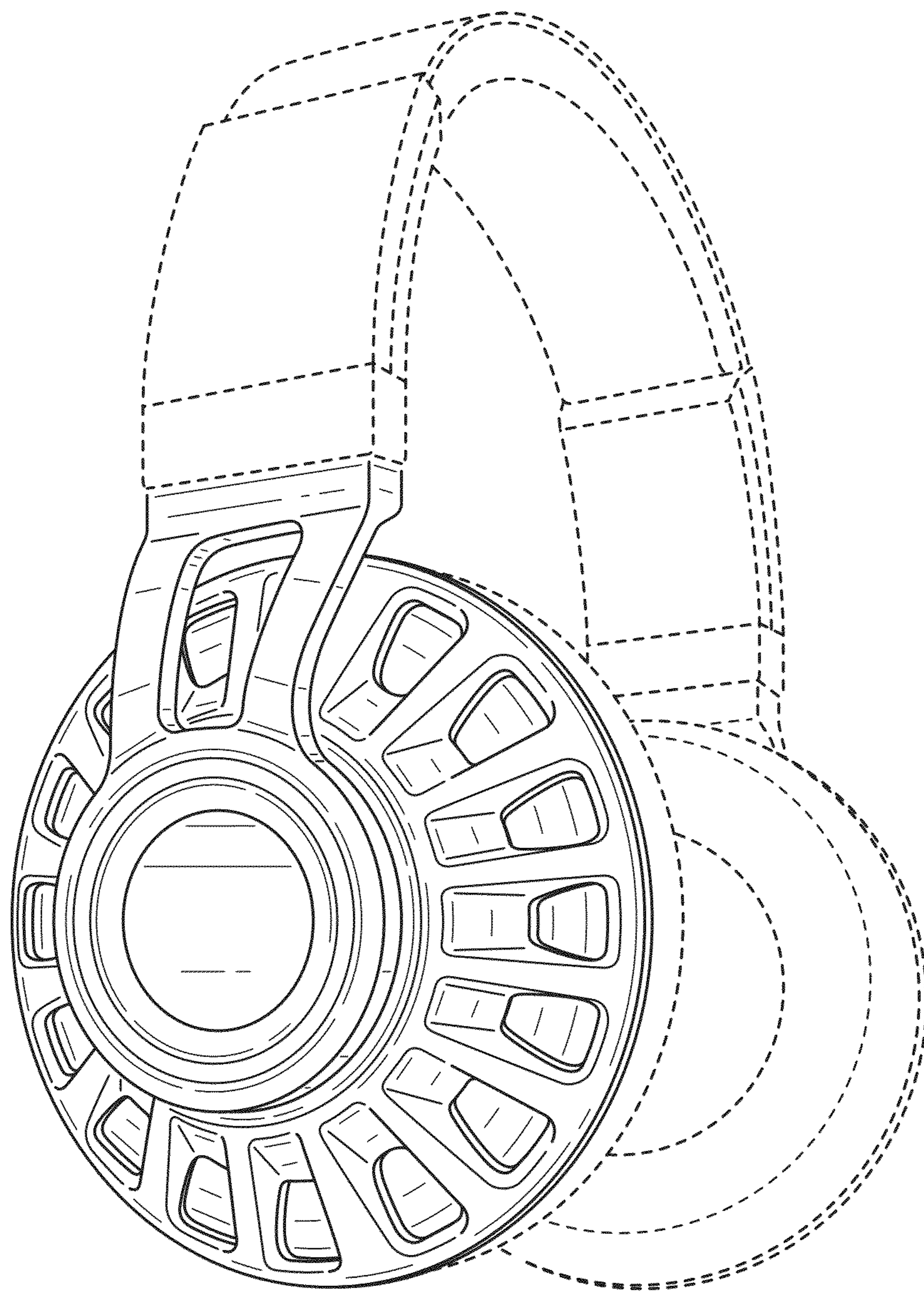
## References Cited

### U.S. PATENT DOCUMENTS

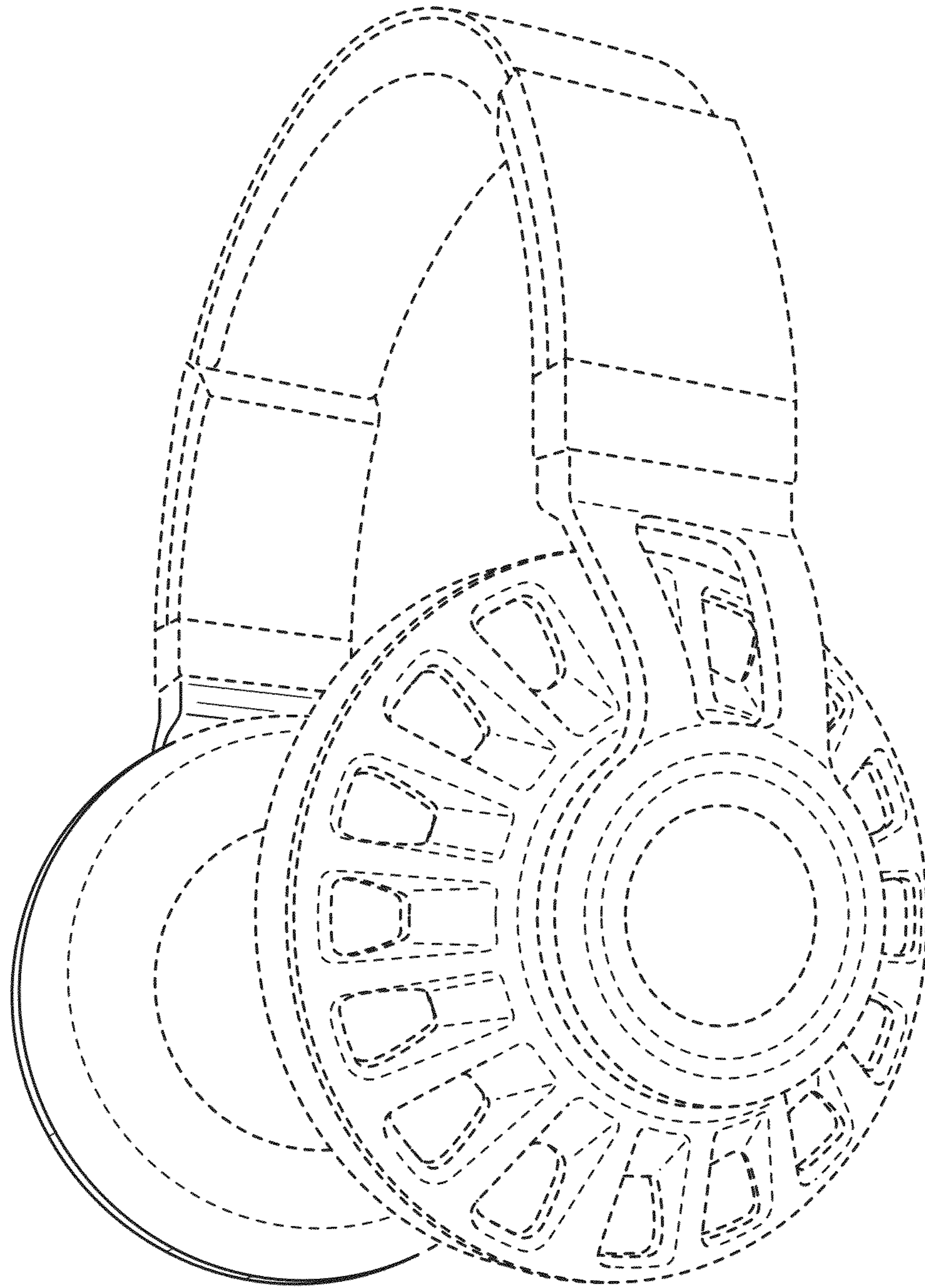
D674,767 S \* 1/2013 Brunner et al. .... D14/205  
8,443,467 B2 \* 5/2013 Chiang ..... 2/209  
D689,463 S \* 9/2013 Hardi et al. .... D14/205

D690,282 S \* 9/2013 Lee et al. .... D14/205  
D690,284 S \* 9/2013 Brennwald ..... D14/205  
D702,210 S \* 4/2014 Birger ..... D14/205  
D713,817 S \* 9/2014 Paterson et al. .... D14/205

\* cited by examiner



**FIG. 1**



**FIG. 2**

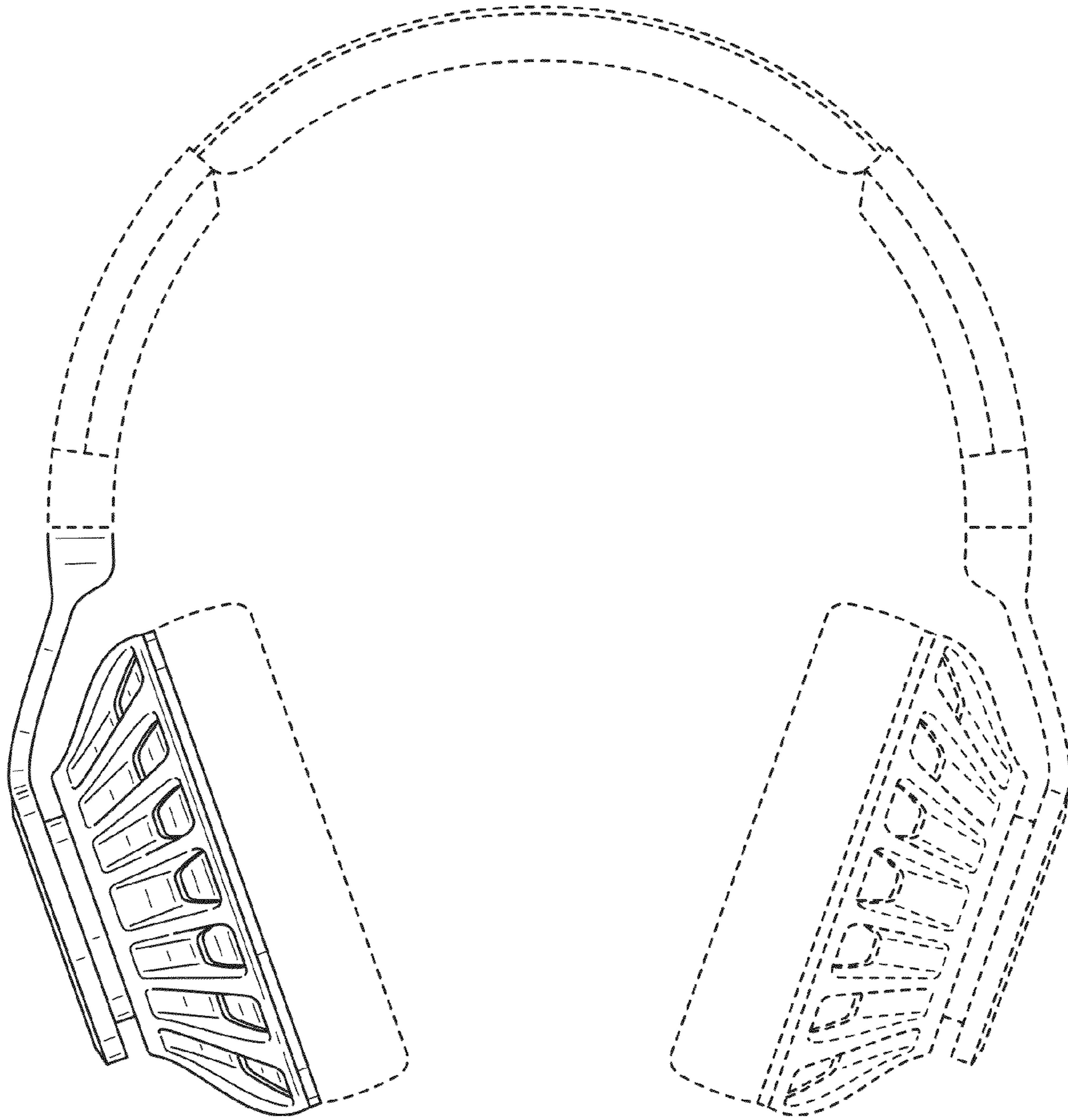
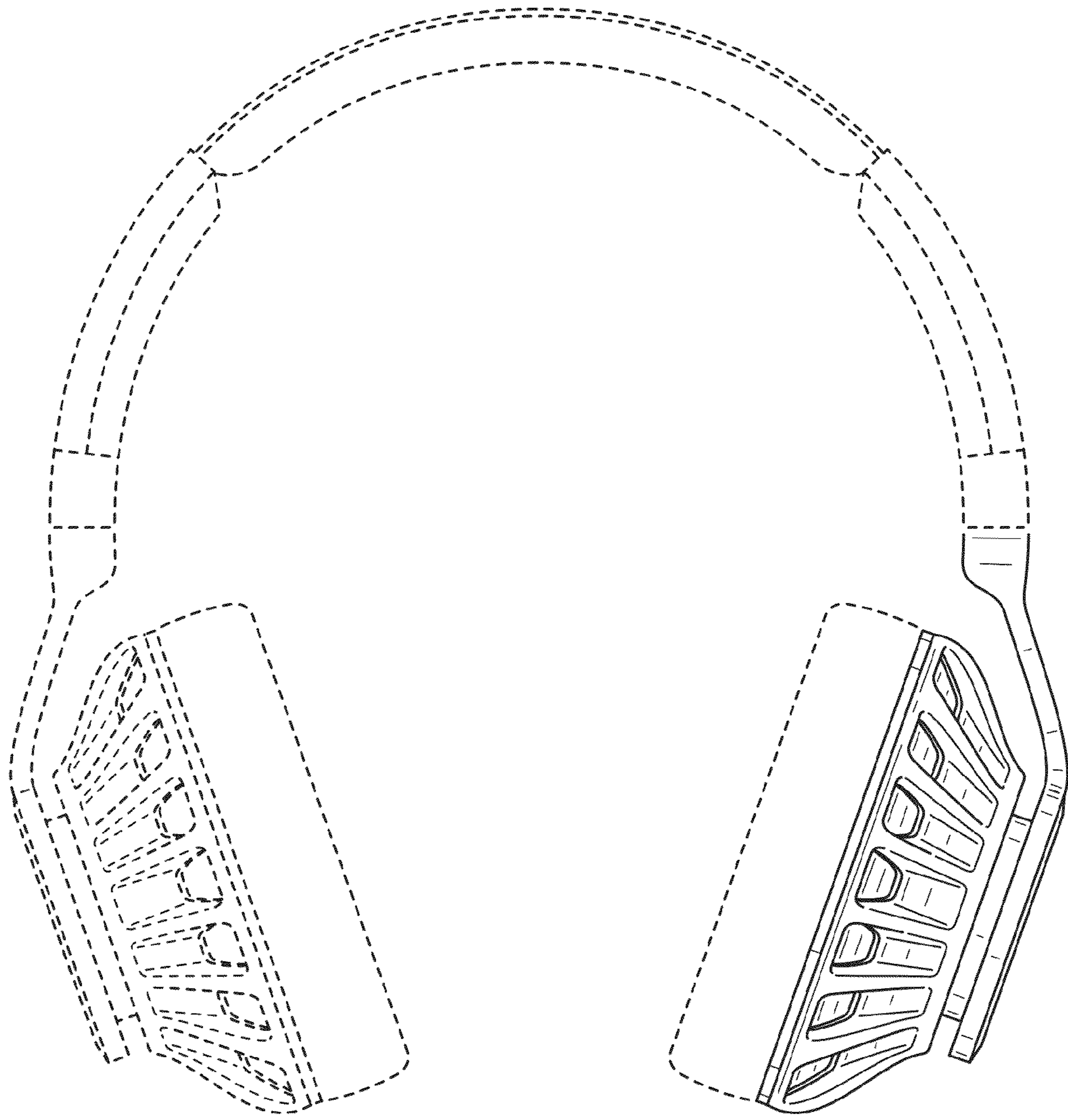
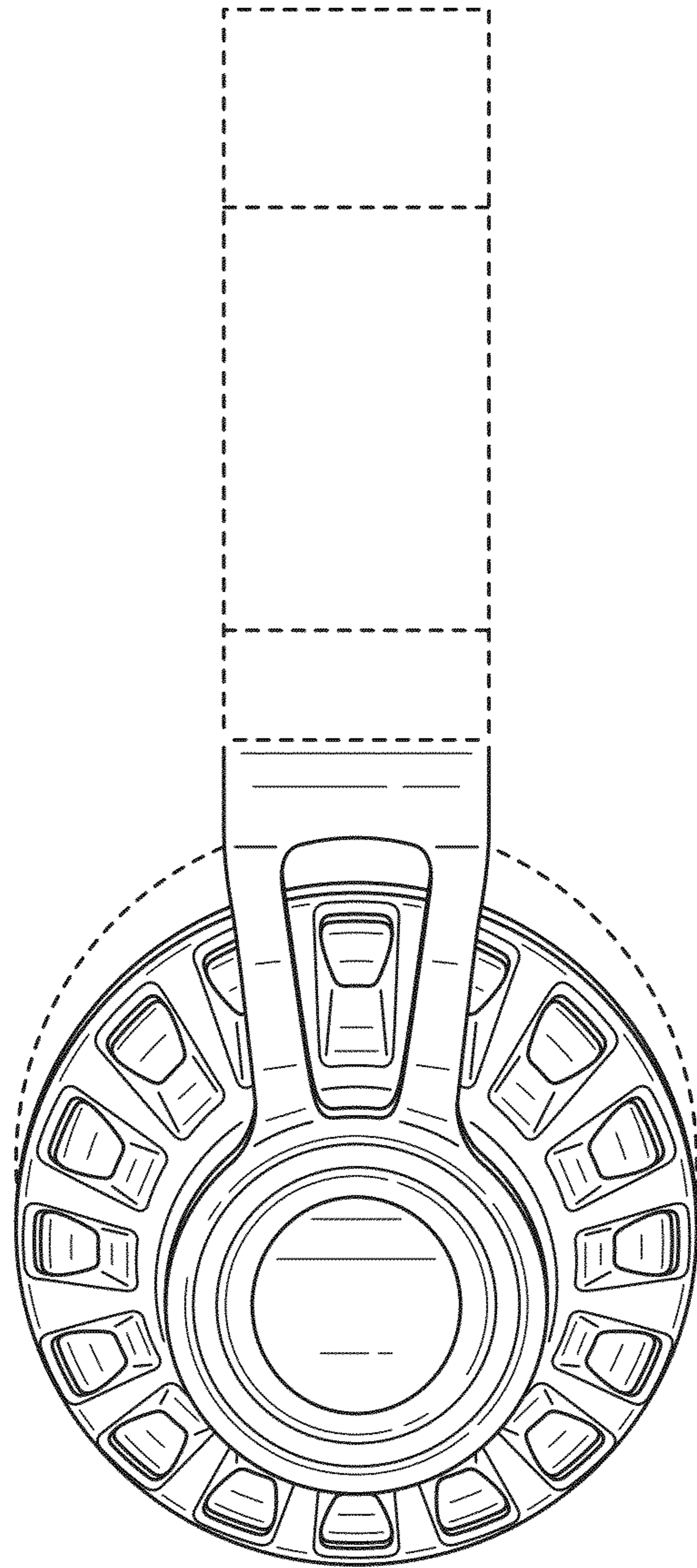


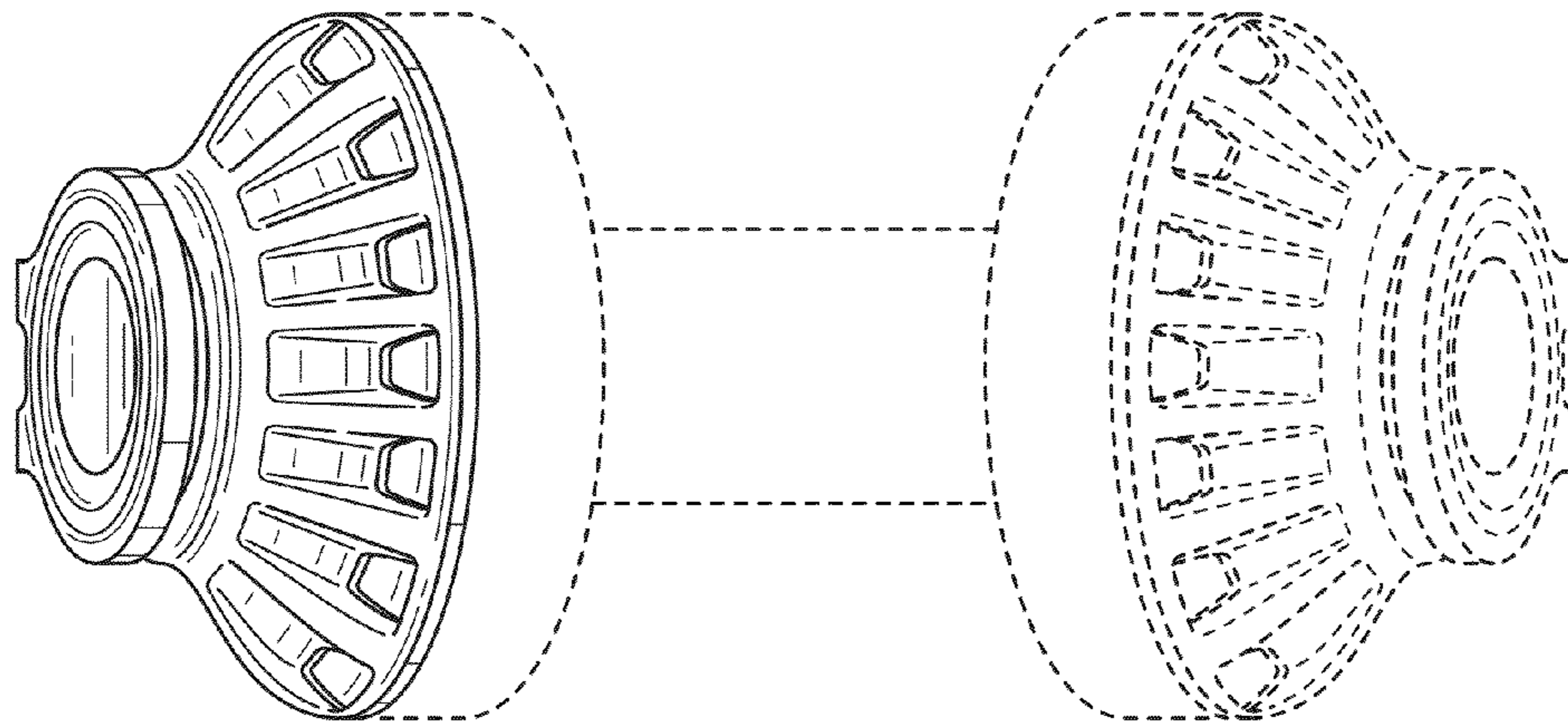
FIG. 3



**FIG. 4**



**FIG. 5**



**FIG. 6**