



US00D723508S

(12) **United States Design Patent**
Garland et al.

(10) **Patent No.:** **US D723,508 S**
(45) **Date of Patent:** **** Mar. 3, 2015**

(54) **HEADPHONE**

(71) Applicant: **Harman International Industries, Incorporated**, Northridge, CA (US)

(72) Inventors: **Tylor Garland**, Los Angeles, CA (US);
Stephen Bradford, Los Angeles, CA (US)

(73) Assignee: **Harman International Industries, Incorporated**, Northridge, CA (US)

(**) Term: **14 Years**

(21) Appl. No.: **29/478,784**

(22) Filed: **Jan. 8, 2014**

Related U.S. Application Data

(62) Division of application No. 29/451,697, filed on Apr. 5, 2013, now abandoned.

(51) **LOC (10) Cl.** **14-01**

(52) **U.S. Cl.**
USPC **D14/205**

(58) **Field of Classification Search**
CPC H04R 1/1066
USPC D14/205, 224; D29/112; 2/209;
181/129, 130, 135; 379/430, 431;
381/380, 381, 374; 455/90.3, 575.1
See application file for complete search history.

(56) **References Cited**

U.S. PATENT DOCUMENTS

3,098,307	A *	7/1963	Caldwell, Jr.	434/185
3,356,796	A *	12/1967	Wray	381/433
3,575,370	A *	4/1971	Morris et al.	248/201
D254,183	S *	2/1980	Doodson	D14/205
D262,019	S *	11/1981	Upshaw	D14/205
5,033,094	A *	7/1991	Hung	381/379
5,068,923	A *	12/1991	Sjoqvist	2/209

D353,818	S *	12/1994	Nakamura	D14/205
D457,874	S *	5/2002	Yoneda	D14/205
6,724,906	B2 *	4/2004	Naksen et al.	381/379
D502,939	S *	3/2005	Dayan	D14/216
D517,527	S *	3/2006	Suzuki	D14/205
D518,474	S *	4/2006	Suzuki	D14/205
D524,999	S *	7/2006	Ray	D32/3
D560,654	S *	1/2008	Feng	D14/205
D604,266	S *	11/2009	Milde et al.	D14/205
7,735,154	B2 *	6/2010	Gellis et al.	2/209
D620,474	S *	7/2010	Komiyama	D14/205
D657,345	S *	4/2012	Brunner et al.	D14/205
D673,520	S *	1/2013	Tan	D14/205
D674,767	S *	1/2013	Brunner et al.	D14/205
D689,463	S *	9/2013	Hardi et al.	D14/205
D690,282	S *	9/2013	Lee et al.	D14/205
D690,284	S *	9/2013	Brennwald	D14/205
D696,226	S *	12/2013	Brunner et al.	D14/205
D702,210	S *	4/2014	Birger	D14/205
D704,163	S *	5/2014	Brunner et al.	D14/205
D707,200	S *	6/2014	Yang	D14/205
D713,817	S *	9/2014	Paterson et al.	D14/205
2003/0210801	A1 *	11/2003	Naksen et al.	381/370

* cited by examiner

Primary Examiner — Paula Greene

(74) *Attorney, Agent, or Firm* — Plumsea Law Group, LLC

(57) **CLAIM**

The ornamental design for a headphone, as shown and described.

DESCRIPTION

FIG. 1 is a perspective view of a headphone showing the new design;

FIG. 2 is another perspective view thereof;

FIG. 3 is a front elevational view thereof;

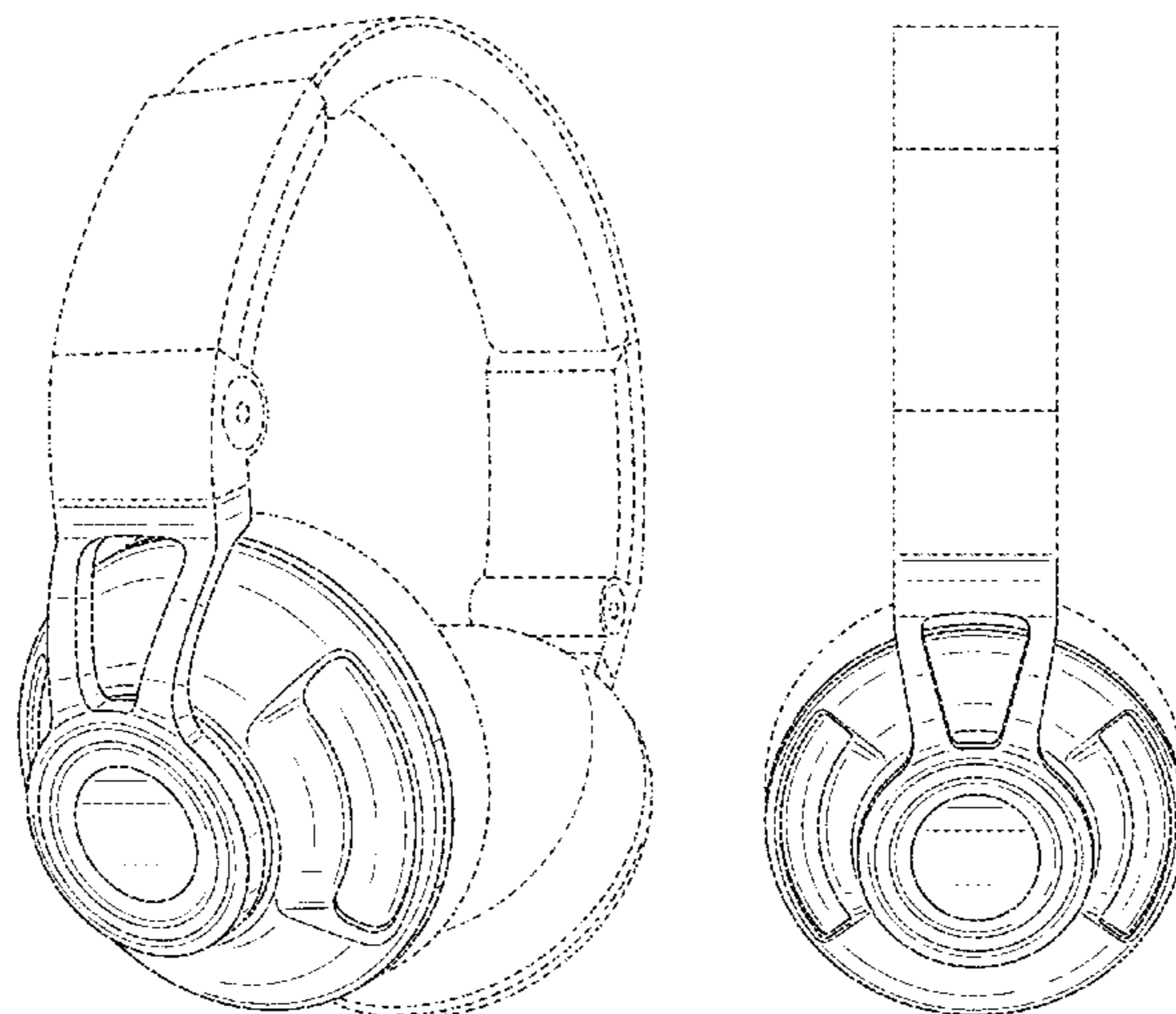
FIG. 4 is a rear elevational view thereof;

FIG. 5 a side elevational view thereof; and,

FIG. 6 is a bottom plan view thereof.

The broken line showing forms no part of the claimed design.

1 Claim, 6 Drawing Sheets



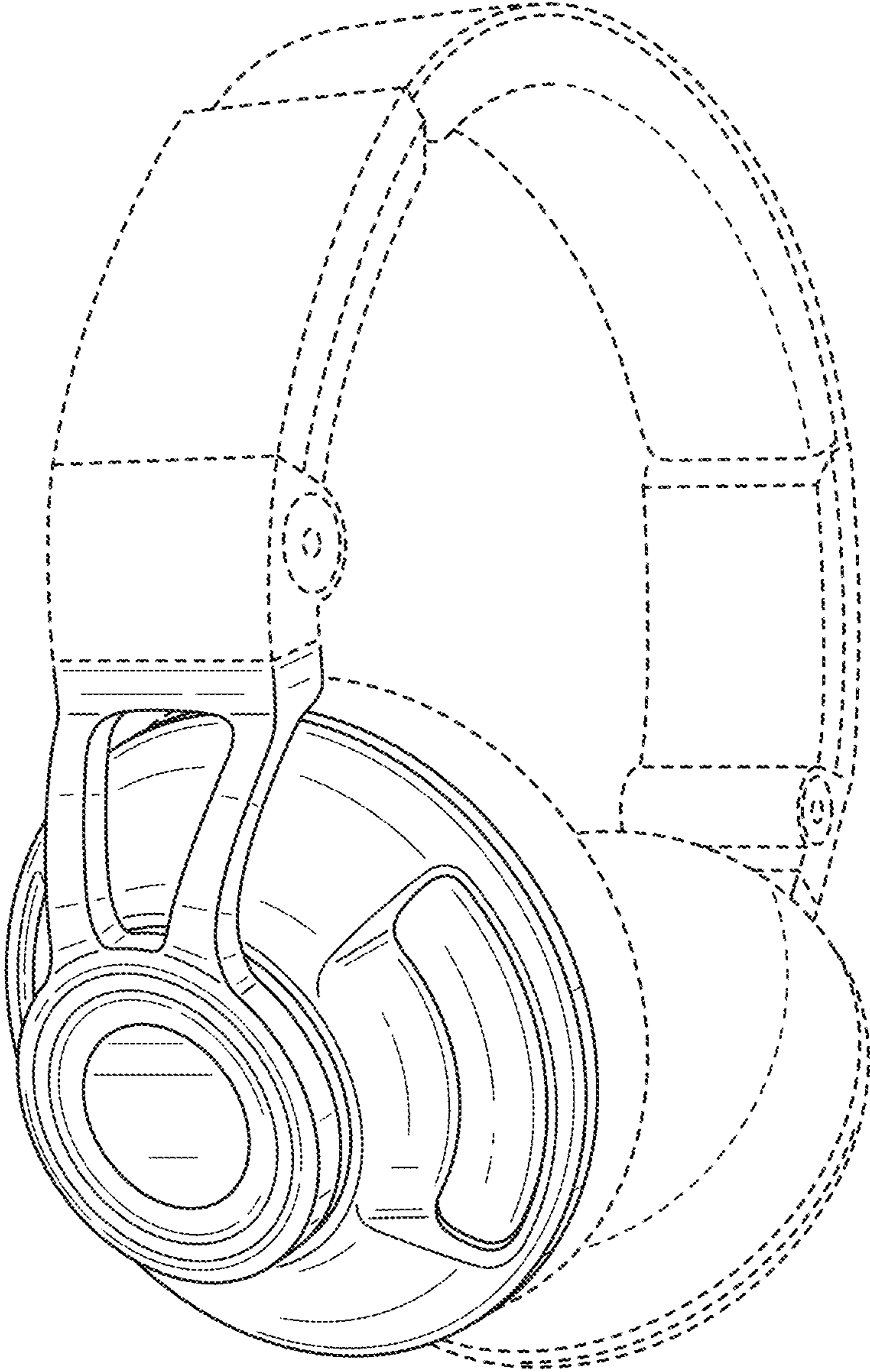


FIG. 1

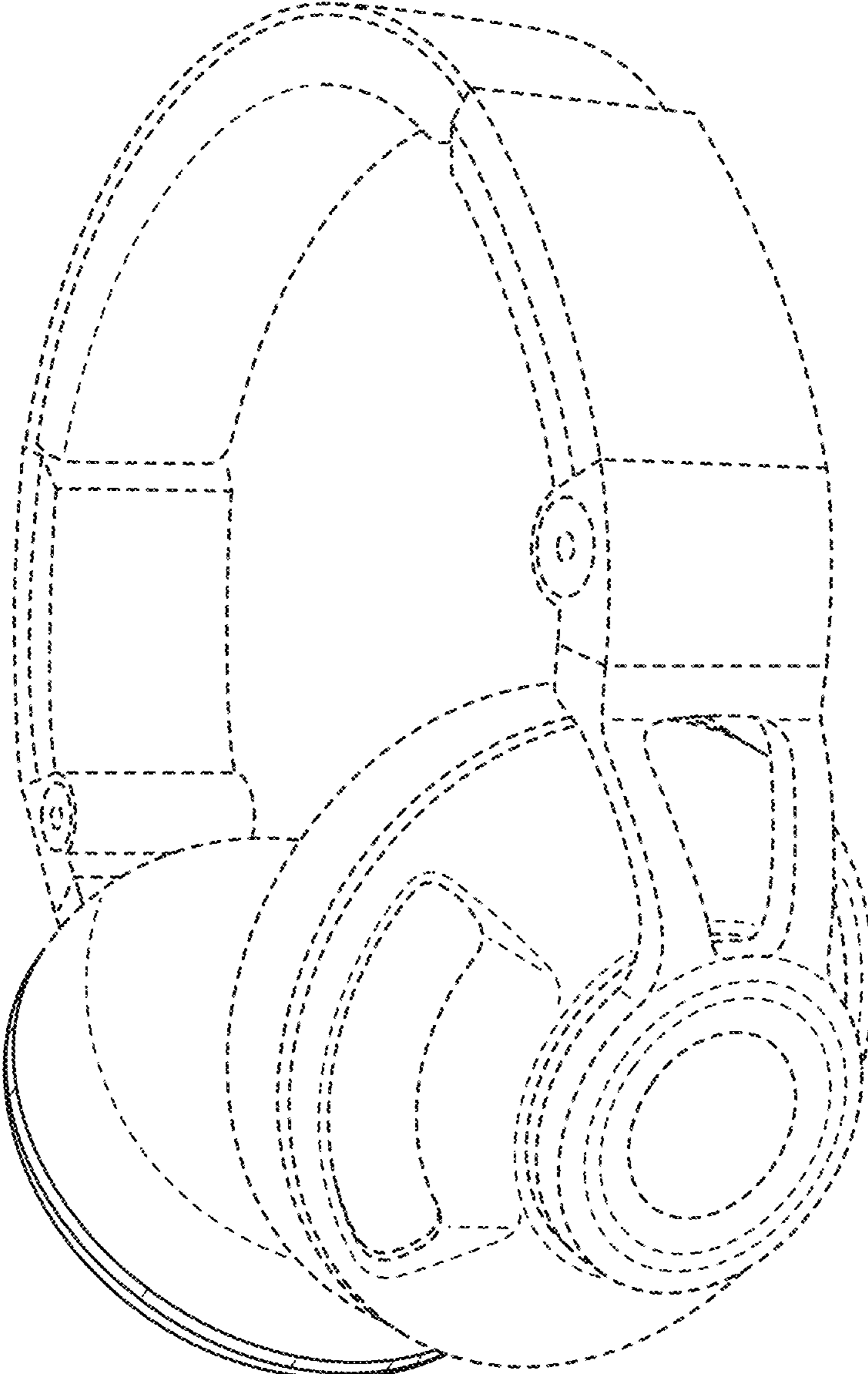


FIG. 2

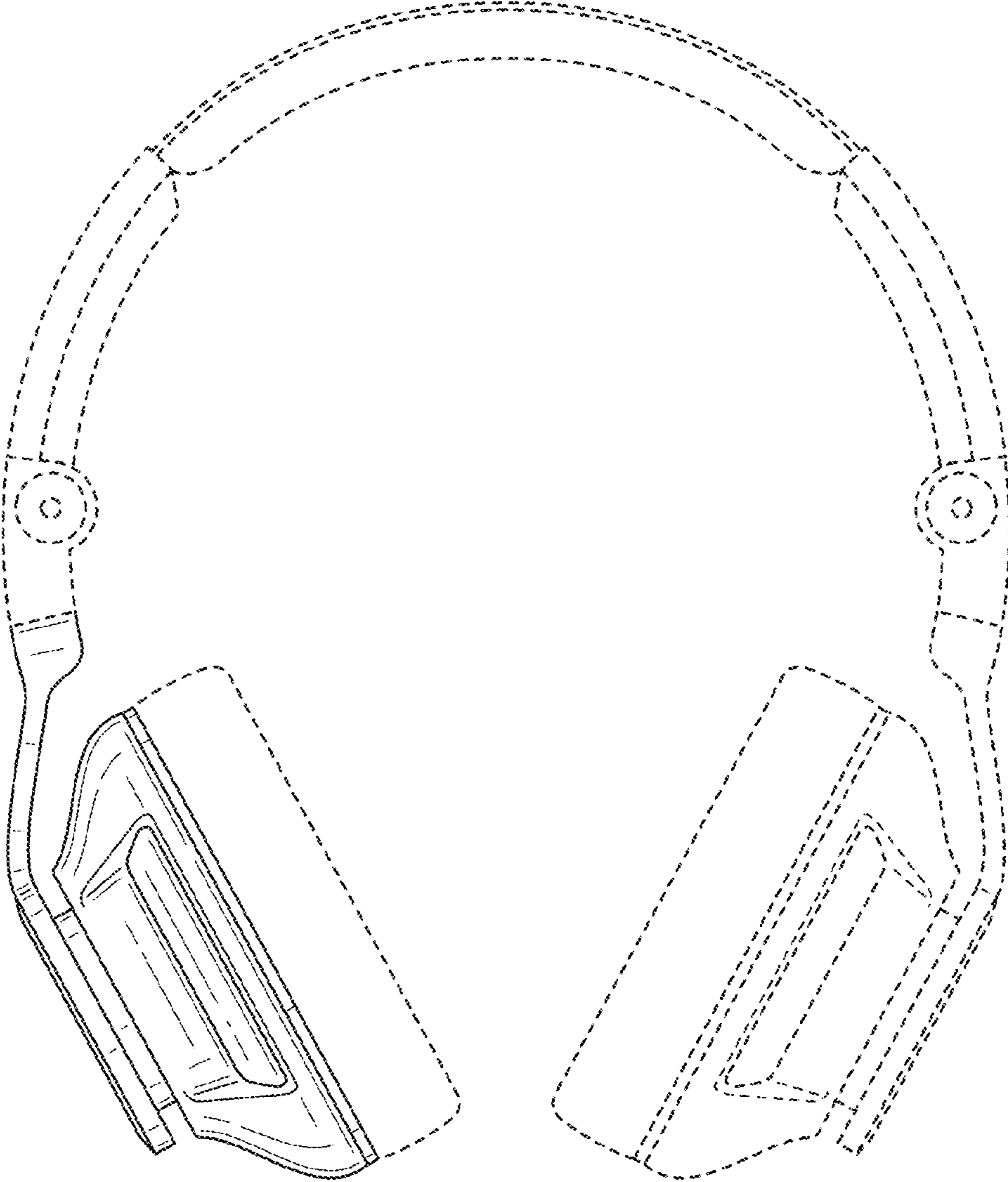


FIG. 3

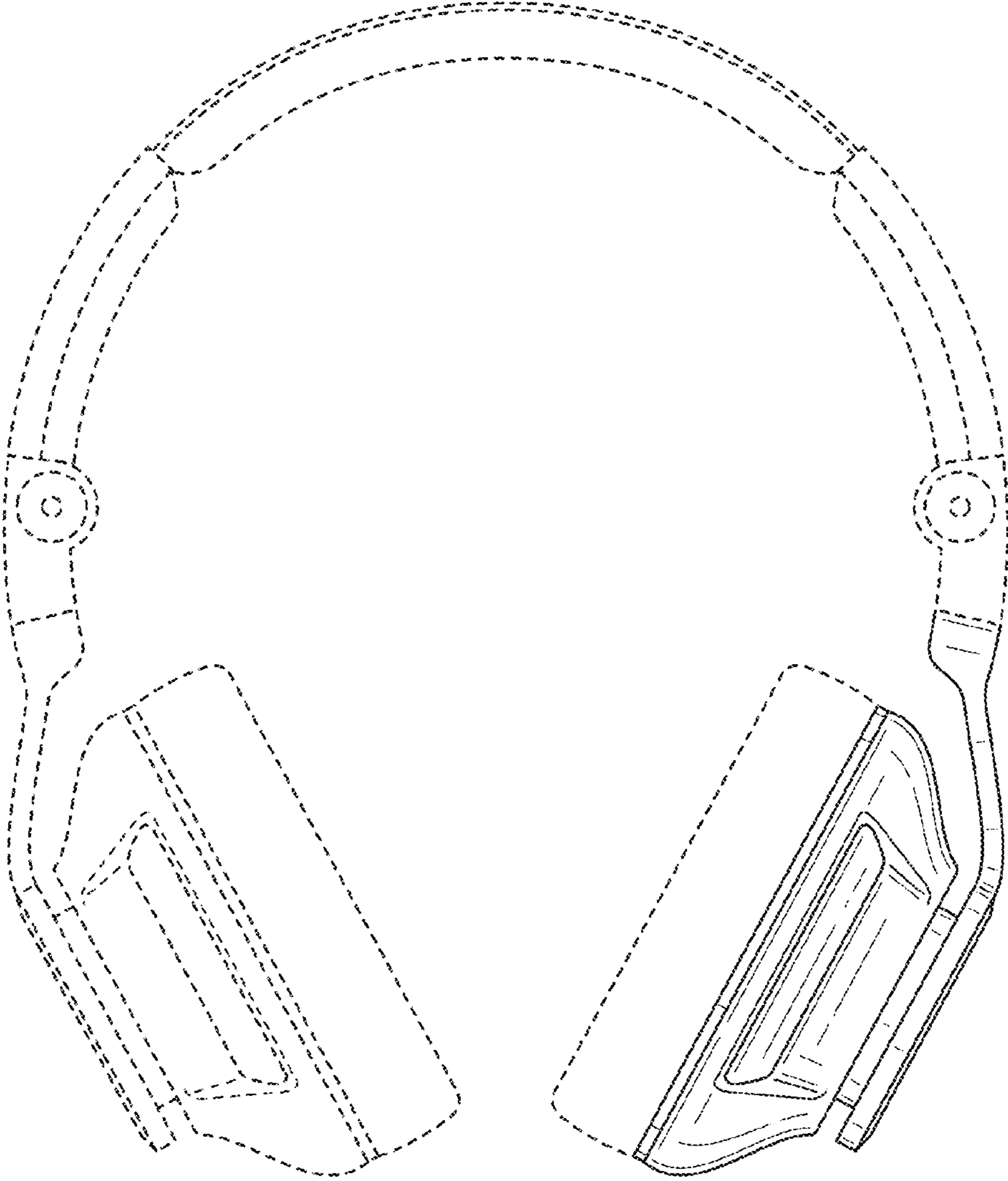


FIG. 4

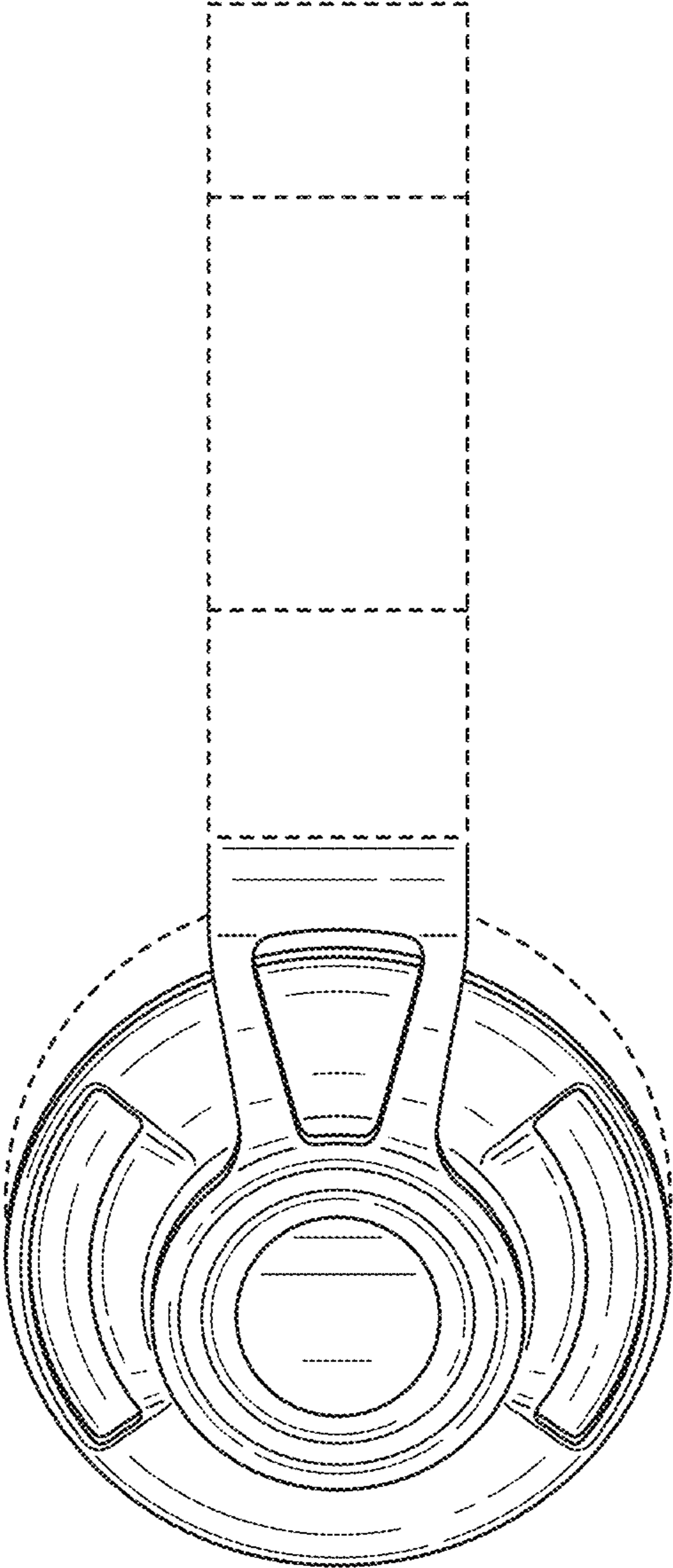


FIG. 5

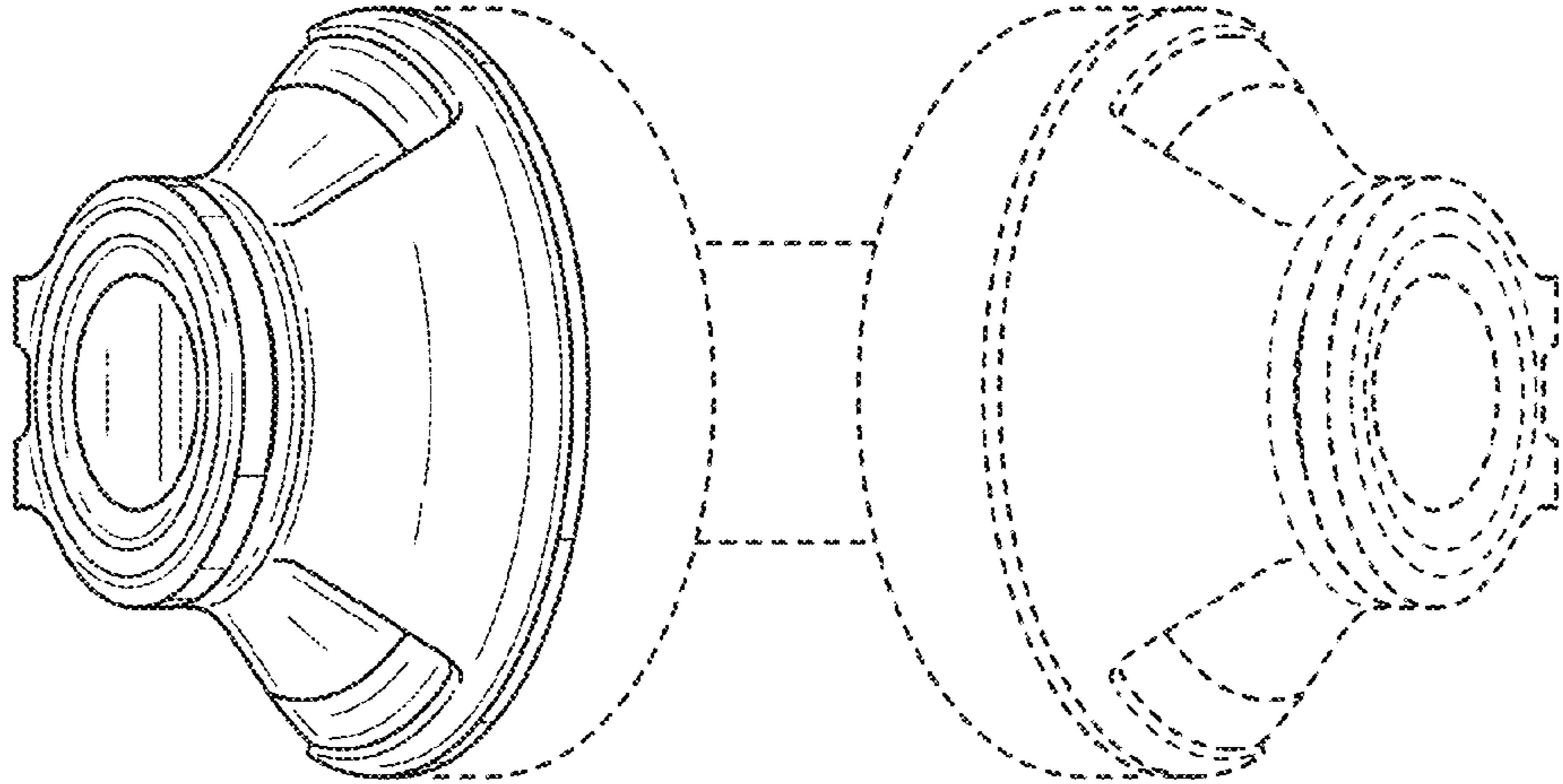


FIG. 6