



US00D723505S

(12) **United States Design Patent**
Ryu et al.

(10) **Patent No.:** **US D723,505 S**
(45) **Date of Patent:** **** Mar. 3, 2015**

(54) **RECEIVER FOR HOME THEATER**

(75) Inventors: **Junghan Ryu**, Seoul (KR); **Gangho Woo**, Seoul (KR); **Youngwon Jeong**, Gyeonggi-do (KR); **Hyojin Won**, Seoul (KR)

(73) Assignee: **LG Electronics Inc.**, Seoul (KR)

(**) Term: **14 Years**

(21) Appl. No.: **29/423,763**

(22) Filed: **Jun. 5, 2012**

(30) **Foreign Application Priority Data**

Dec. 9, 2011 (KR) 30-2011-0052519

(51) **LOC (10) Cl.** **14-03**

(52) **U.S. Cl.**
USPC **D14/188**

(58) **Field of Classification Search**
USPC D14/167, 168, 170-172, 188, 194-196, D14/204, 207, 209.1, 210-216, 221, 222; 181/143, 144, 147, 148, 150, 153, 157, 181/198, 199; 381/300-303, 306, 332, 333, 381/336, 345, 361-364, 386-388; D13/107, 108; 455/344-351; 369/6-12
See application file for complete search history.

(56) **References Cited**

U.S. PATENT DOCUMENTS

D260,390 S * 8/1981 Bertagni D14/211
D408,819 S * 4/1999 Katsumata D14/214

D482,675 S * 11/2003 Carbone D14/214
D545,299 S * 6/2007 Tsuge D14/214
D547,750 S * 7/2007 Yuyama D14/214
D567,223 S * 4/2008 Carbone et al. D14/214
D575,272 S * 8/2008 Shih et al. D14/214
D578,108 S * 10/2008 Shih et al. D14/214
D610,569 S * 2/2010 Fiebel et al. D14/209.1
D660,286 S * 5/2012 Lee et al. D14/214

* cited by examiner

Primary Examiner — Keli L Hill

(74) *Attorney, Agent, or Firm* — Morgan, Lewis & Bockius LLP

(57) **CLAIM**

The ornamental design for a receiver for home theater, as shown and described.

DESCRIPTION

FIG. 1 is a perspective view of a receiver for home theater showing our new design;
FIG. 2 is a front view thereof;
FIG. 3 is a rear view thereof;
FIG. 4 is a left side view thereof;
FIG. 5 is a right side view thereof;
FIG. 6 is a top plan view thereof;
FIG. 7 is a bottom plan view thereof; and,
FIG. 8 is an alternate front view thereof, showing the state of operating.
The broken lines shown in the drawings represent unclaimed portions of the receiver for home theater and form no part of the claimed design.

1 Claim, 7 Drawing Sheets

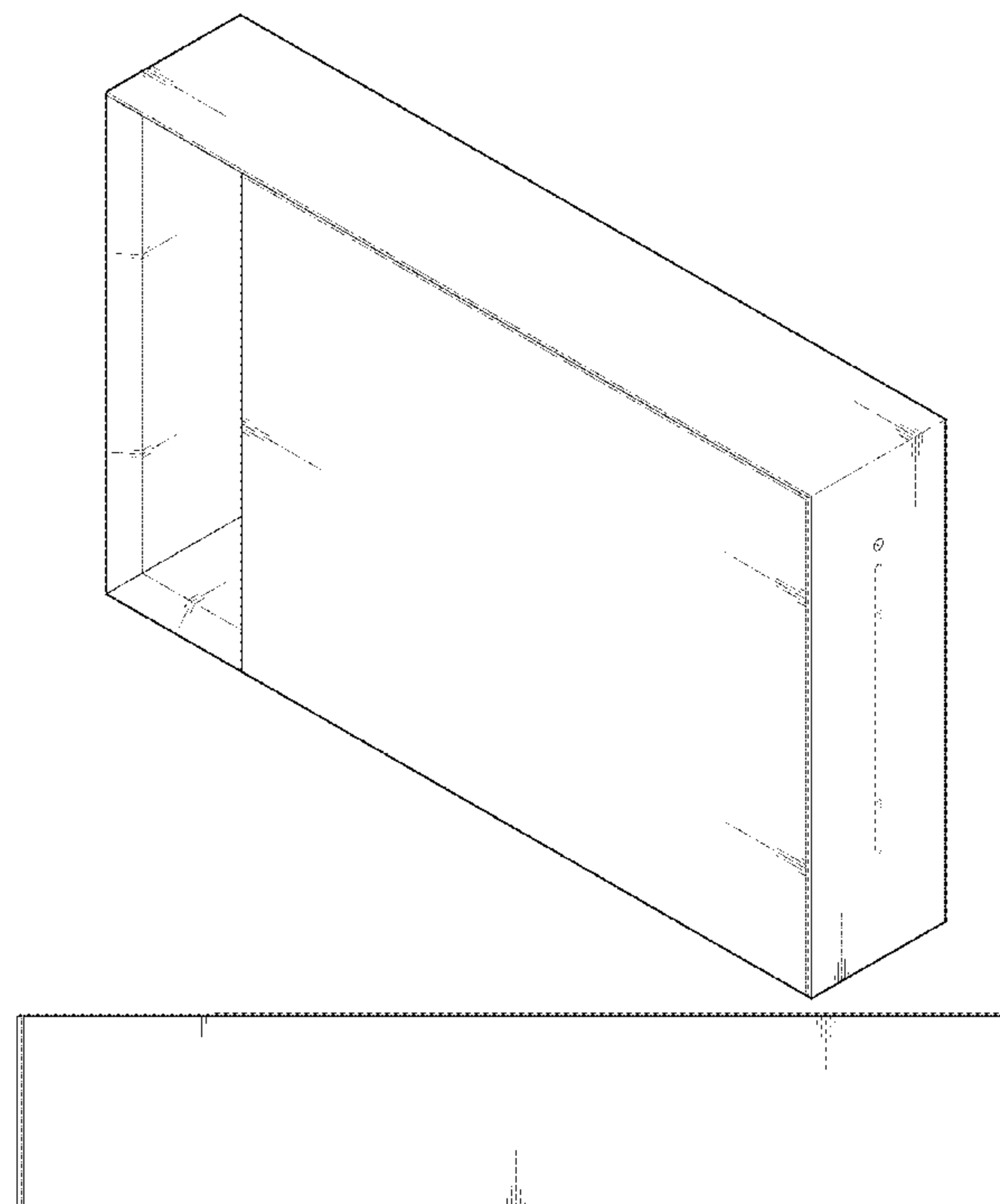


FIG. 1

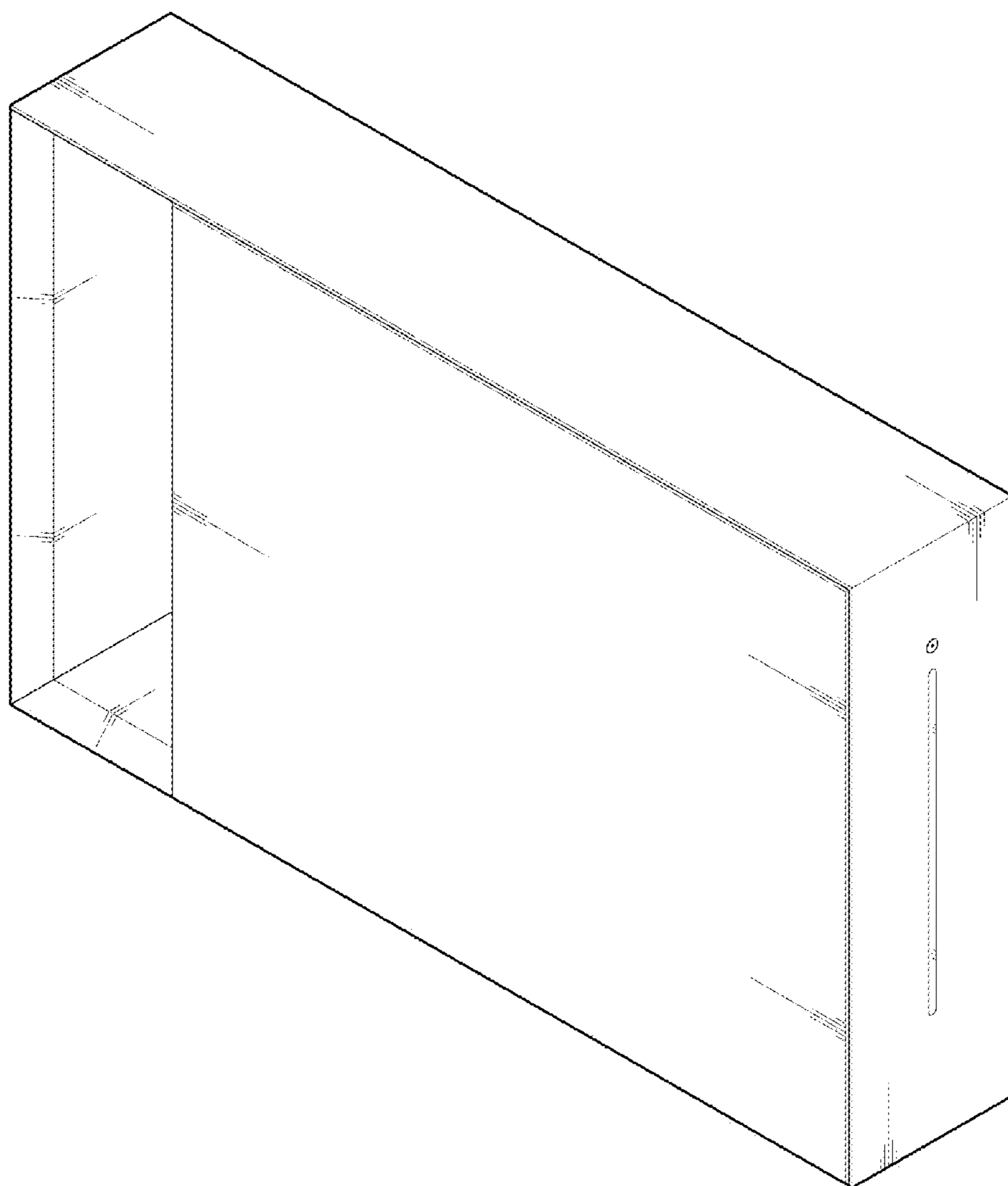


FIG. 2

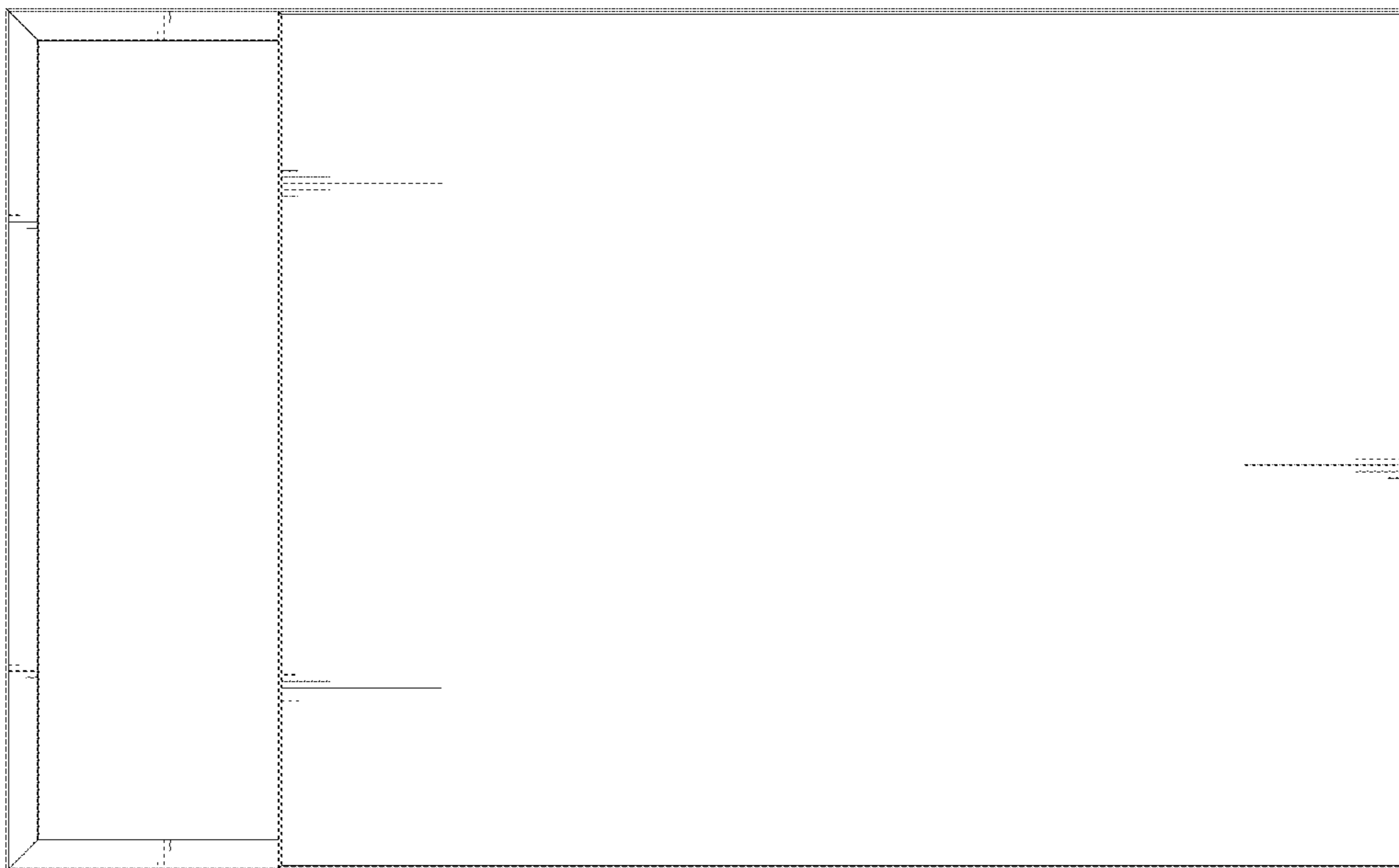


FIG. 3

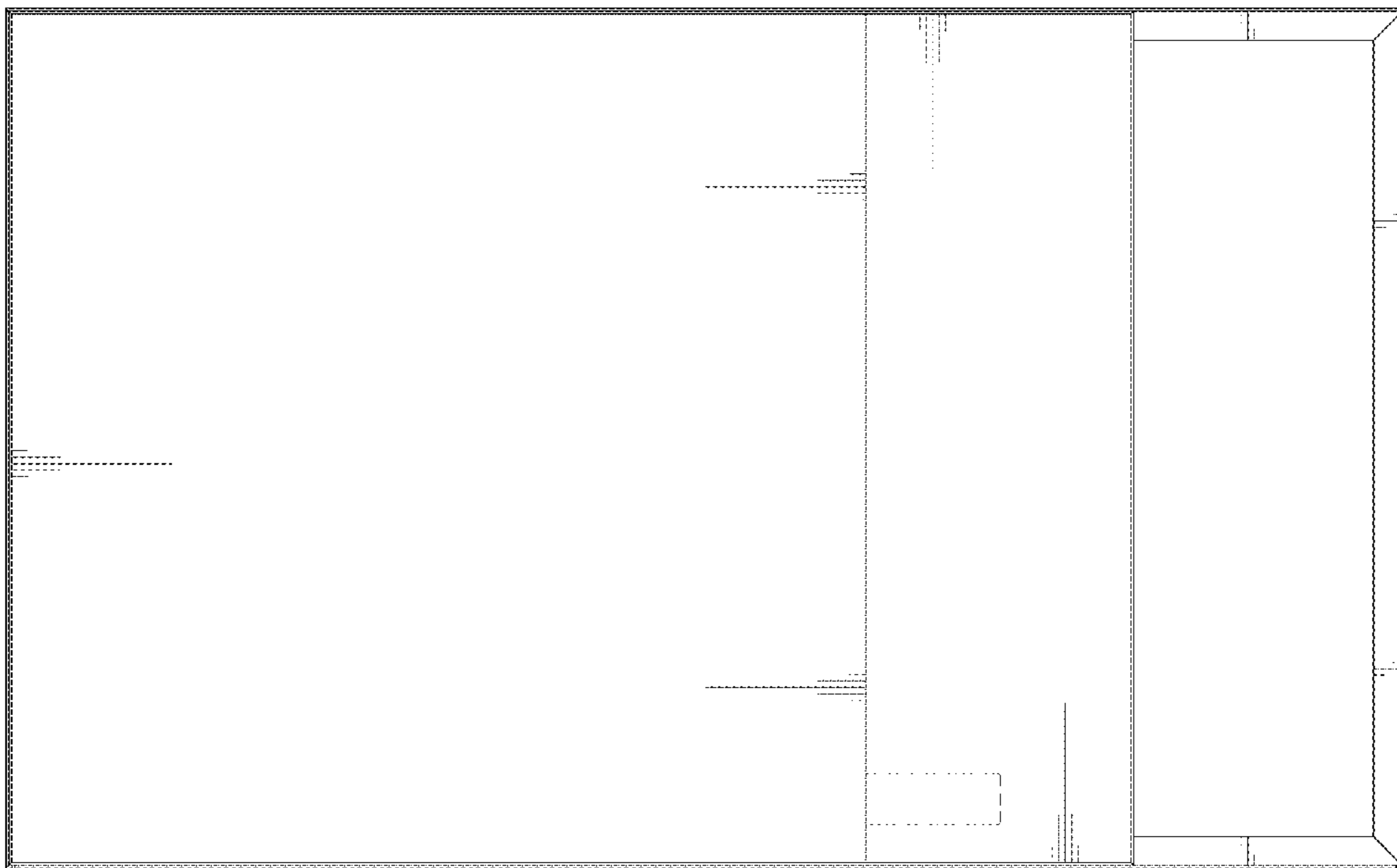


FIG. 4

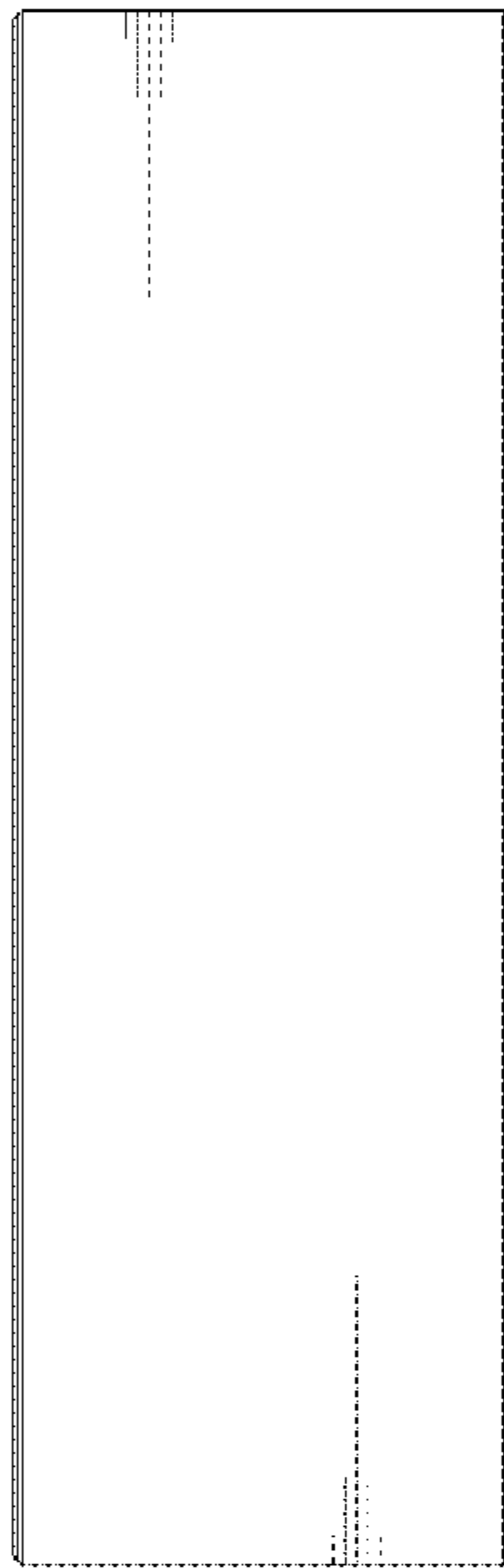


FIG. 5

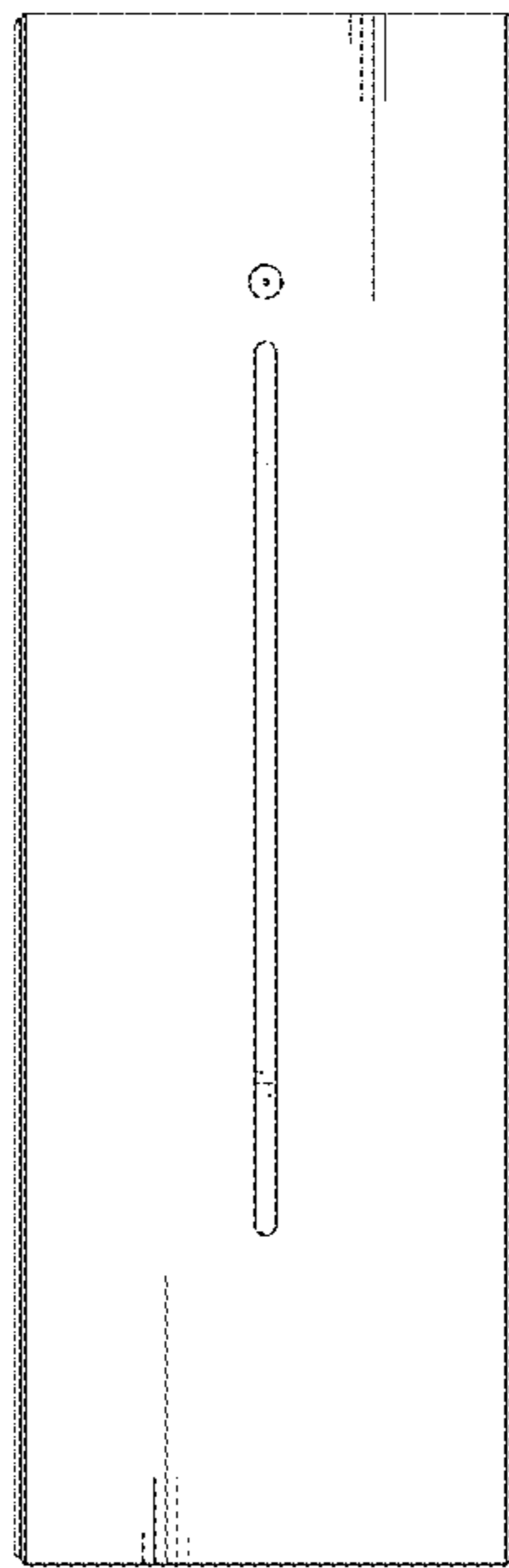


FIG. 6

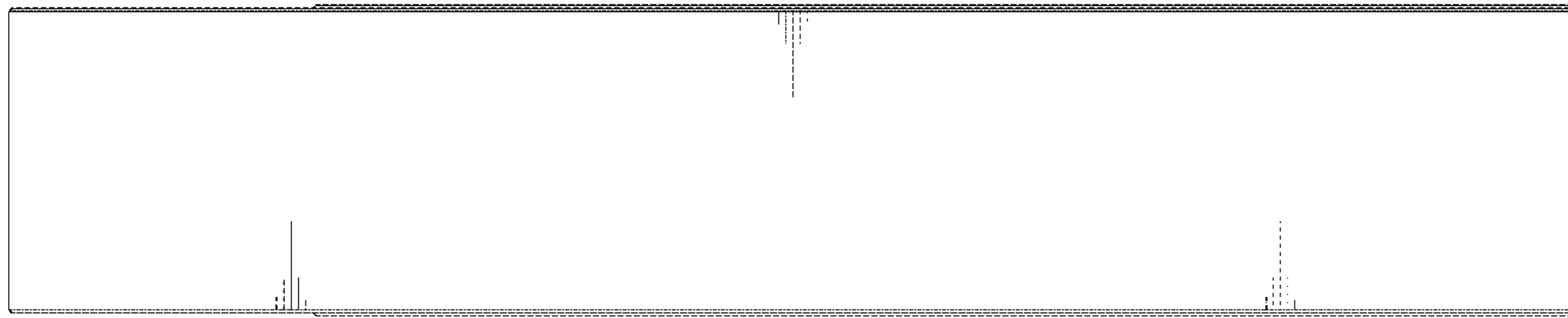


FIG. 7

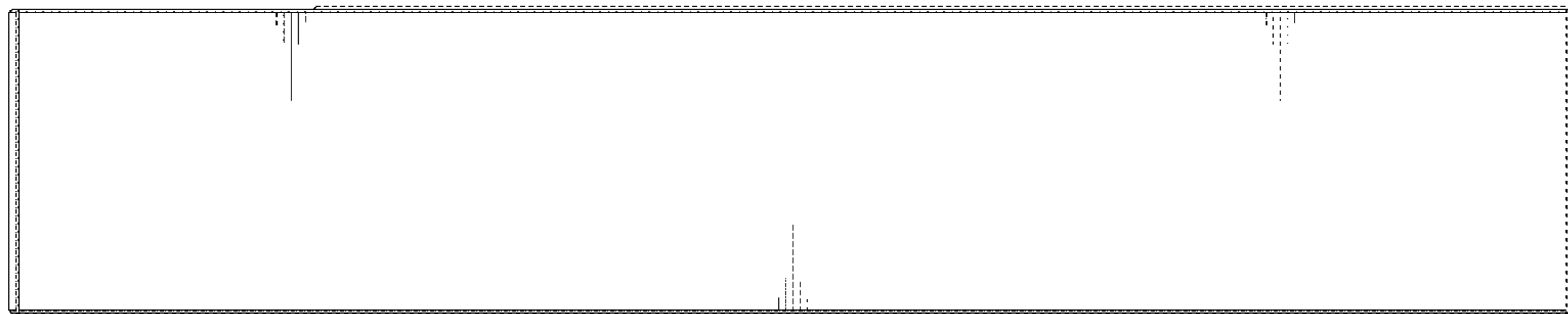


FIG. 8

