

US00D723504S

(12) **United States Design Patent**
Reimer et al.

(10) **Patent No.:** **US D723,504 S**
(45) **Date of Patent:** **** Mar. 3, 2015**

(54) **WIRELESS TRANSMITTER**
(75) Inventors: **Michael Earl Reimer**, Batavia, NY
(US); **James Bruce Thornton**, Webster,
NY (US); **Robert Edwin Walters**,
Webster, NY (US)

(73) Assignee: **Robert Bosch GmbH**, Stuttgart (DE)

(**) Term: **14 Years**

(21) Appl. No.: **29/426,361**

(22) Filed: **Jul. 3, 2012**

(51) **LOC (10) Cl.** **14-03**

(52) **U.S. Cl.**
USPC **D14/155**

(58) **Field of Classification Search**
USPC D14/155, 383, 159, 167, 154, 168, 188,
D14/496, 165, 158, 137; 455/350, 351, 353;
D10/104.1, 78, 106.1-106.7; D9/414,
D9/424

See application file for complete search history.

(56) **References Cited**

U.S. PATENT DOCUMENTS

D297,128 S *	8/1988	Guscott et al.	D10/106.1
D303,638 S *	9/1989	Andrews et al.	D10/106.1
D555,528 S *	11/2007	Viscaino	D10/106.7
D556,199 S *	11/2007	Song	D14/357
D563,334 S *	3/2008	Wang	D14/125
D566,710 S *	4/2008	Chun et al.	D14/358

D609,701 S *	2/2010	Hou	D14/240
D647,920 S *	11/2011	Luo	D14/496
D680,458 S *	4/2013	Corso et al.	D10/104.1
D681,034 S *	4/2013	Chen	D14/358
D708,977 S *	7/2014	Corso et al.	D10/106.9
D709,854 S *	7/2014	Pan	D14/167
2006/0238529 A1 *	10/2006	Lavelle et al.	345/204

* cited by examiner

Primary Examiner — George D Kirschbaum

Assistant Examiner — Kendra L Hamilton

(74) *Attorney, Agent, or Firm* — Michael Best & Friedrich LLP

(57) **CLAIM**

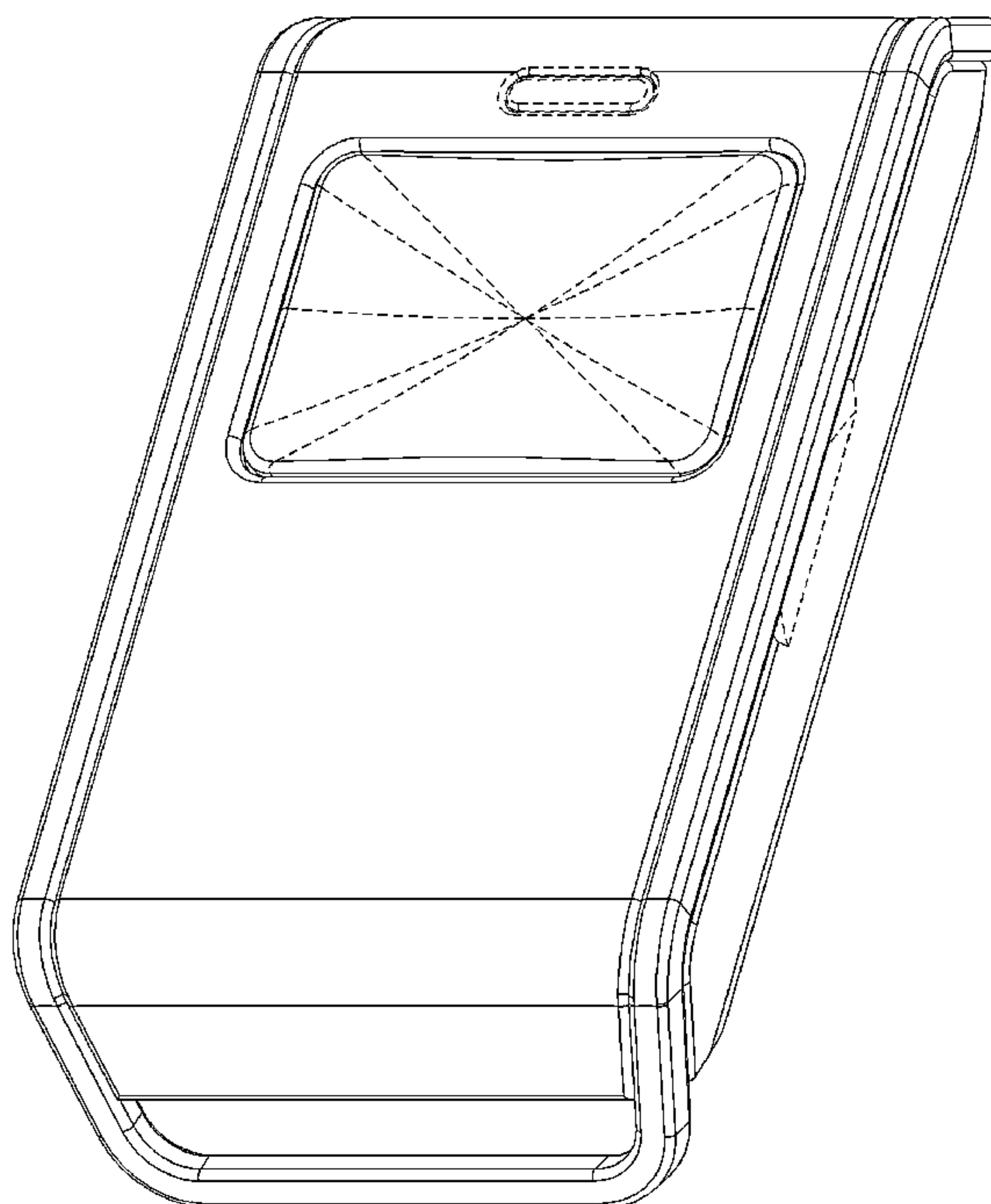
The ornamental design for the wireless transmitter, as shown and described.

DESCRIPTION

FIG. 1 is a bottom right perspective view of the wireless transmitter;
FIG. 2 is a front view thereof;
FIG. 3 is a rear view thereof;
FIG. 4 is a right side view thereof;
FIG. 5 is a left side view thereof;
FIG. 6 is a top view thereof; and,
FIG. 7 is a bottom view thereof.

The portions of the Figures shown in broken lines disclose environmental structure and form no part of the claimed design.

1 Claim, 5 Drawing Sheets



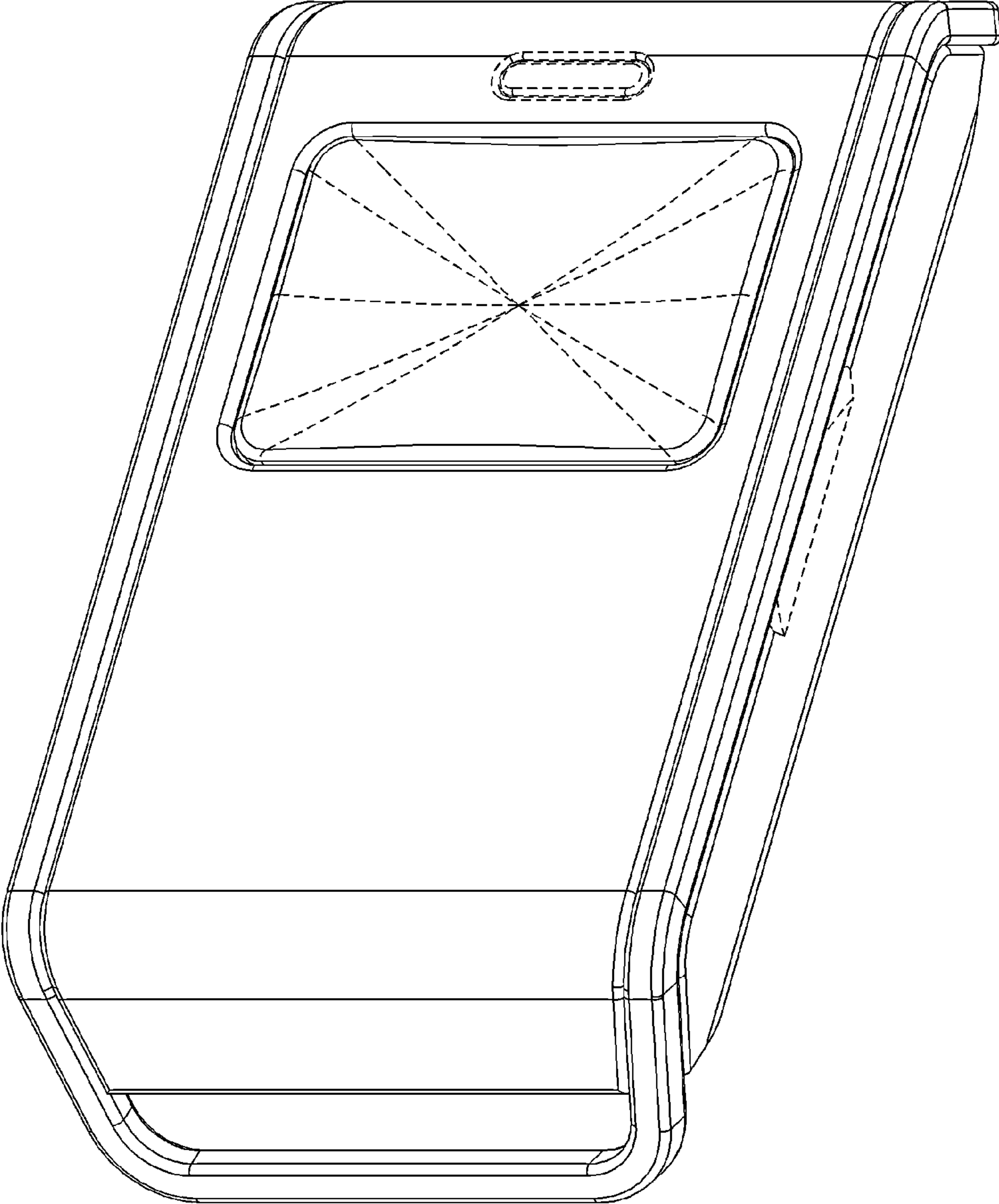


Fig. 1

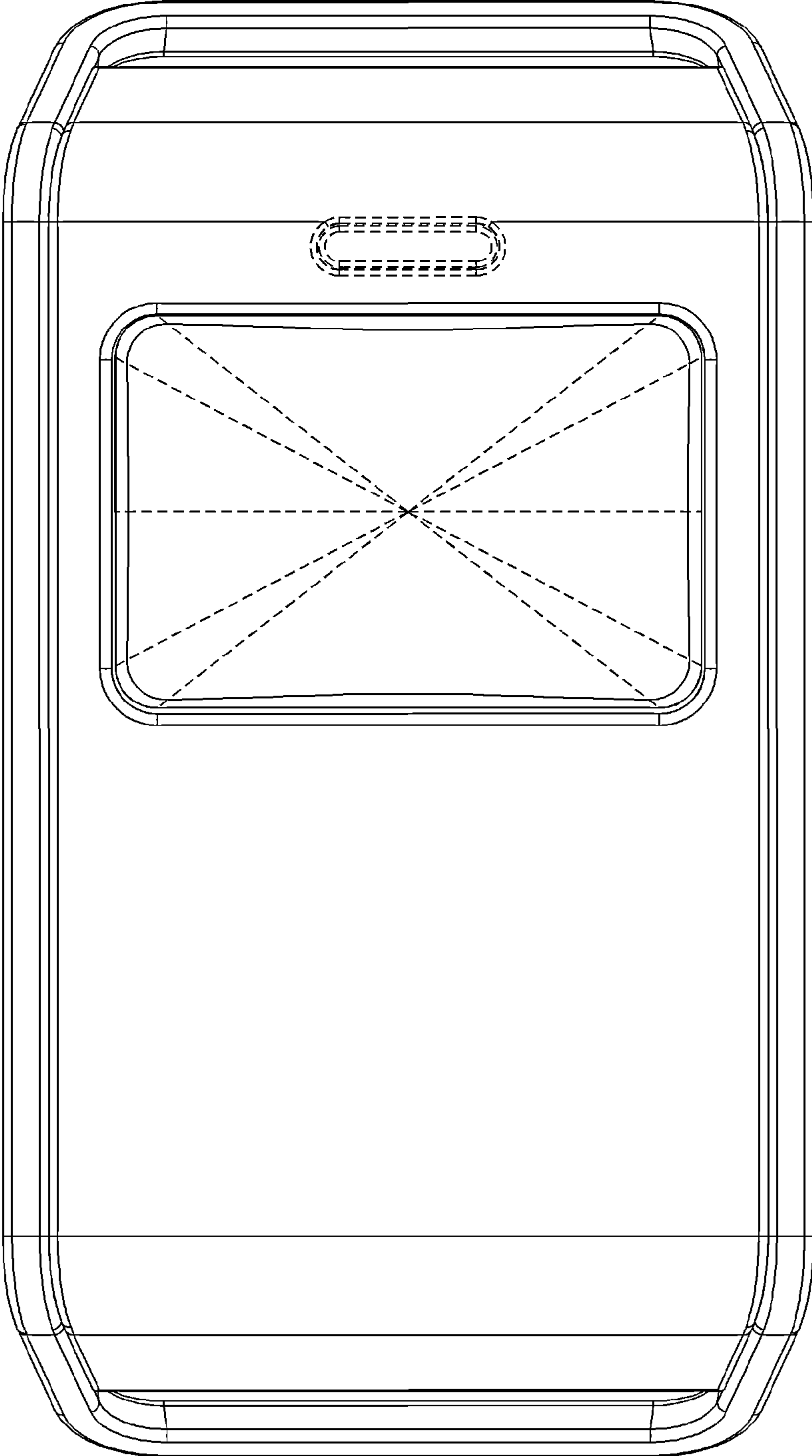


Fig. 2

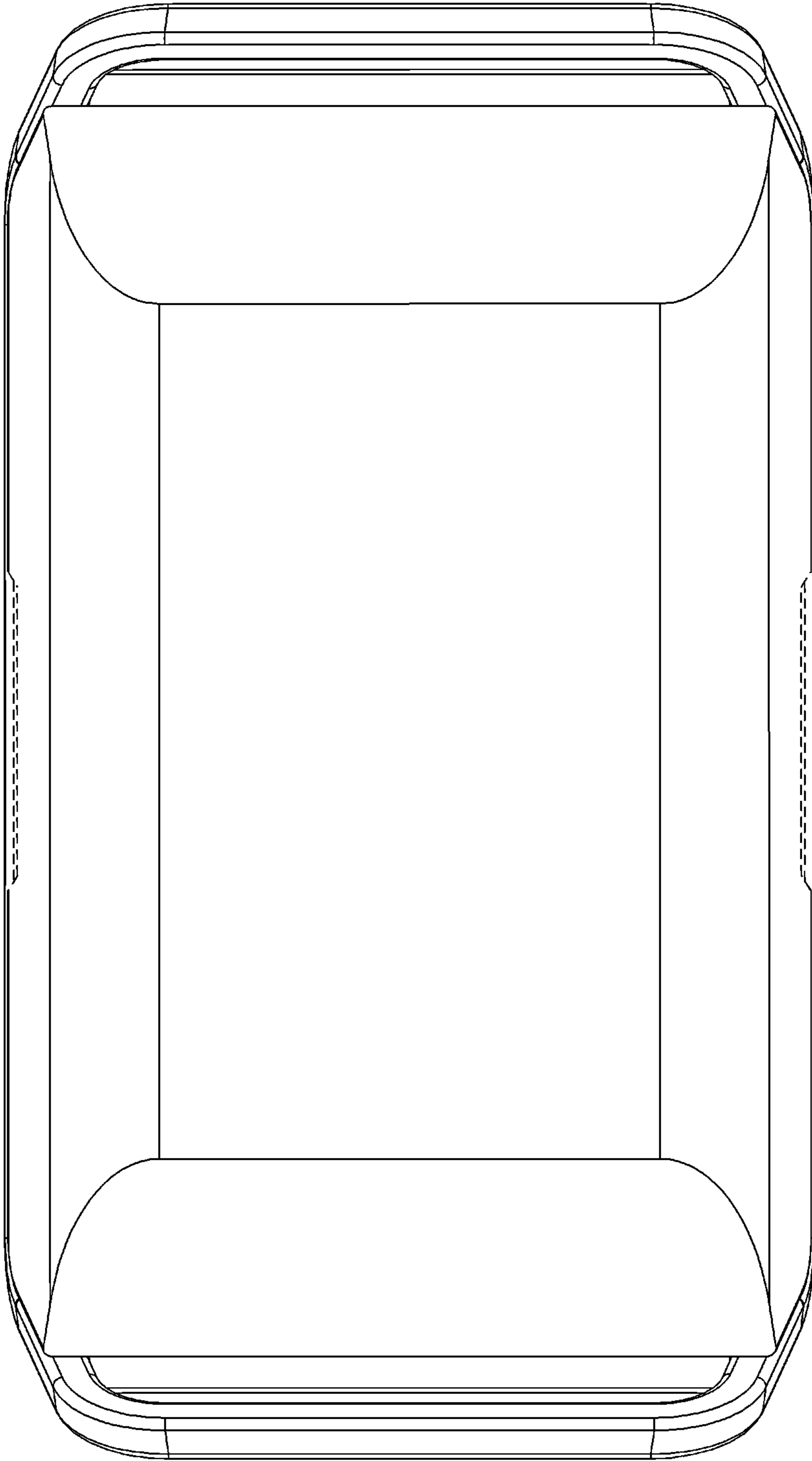


Fig. 3

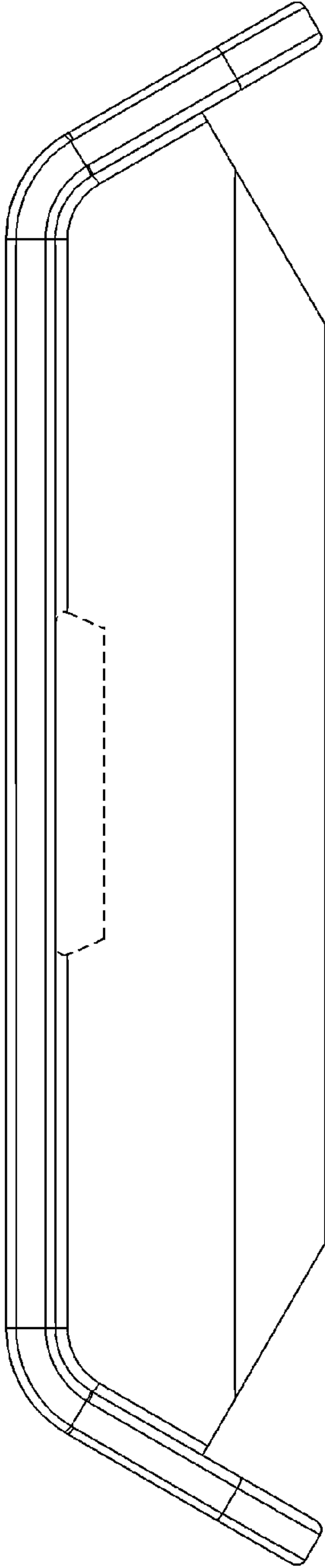


Fig. 4

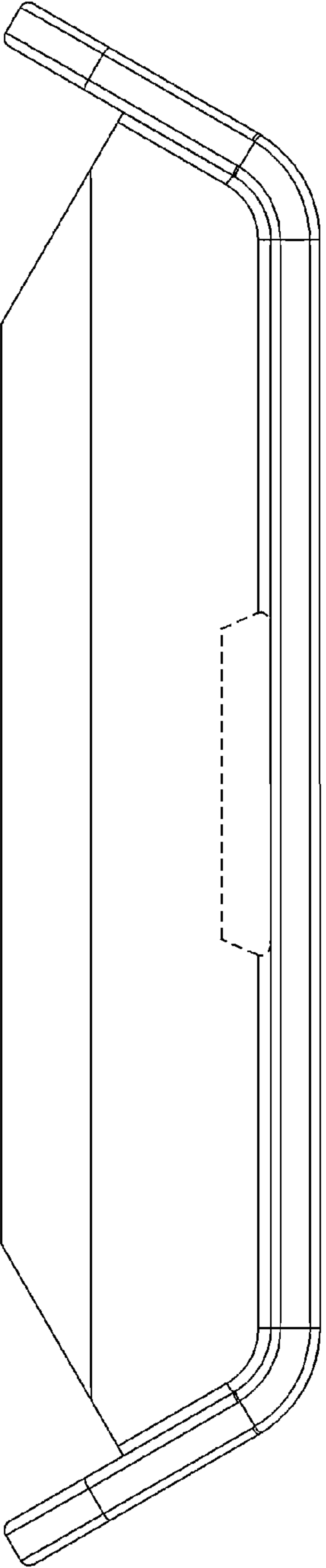


Fig. 5

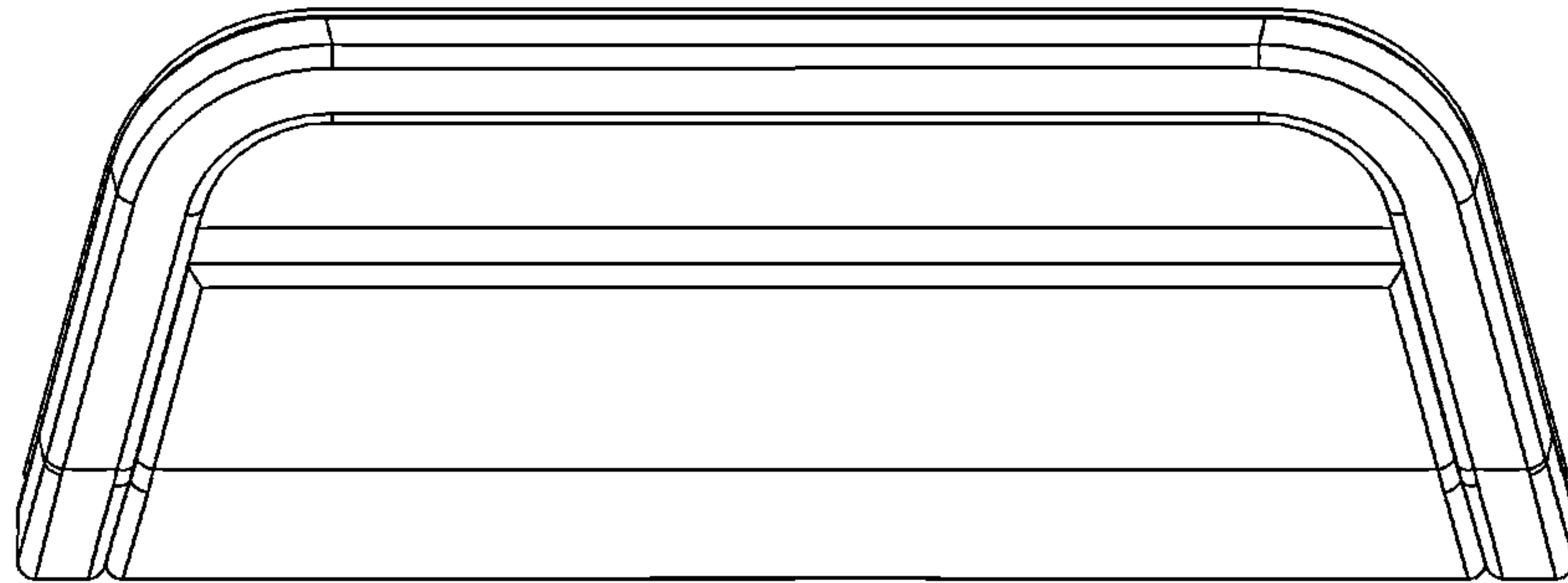


Fig. 6

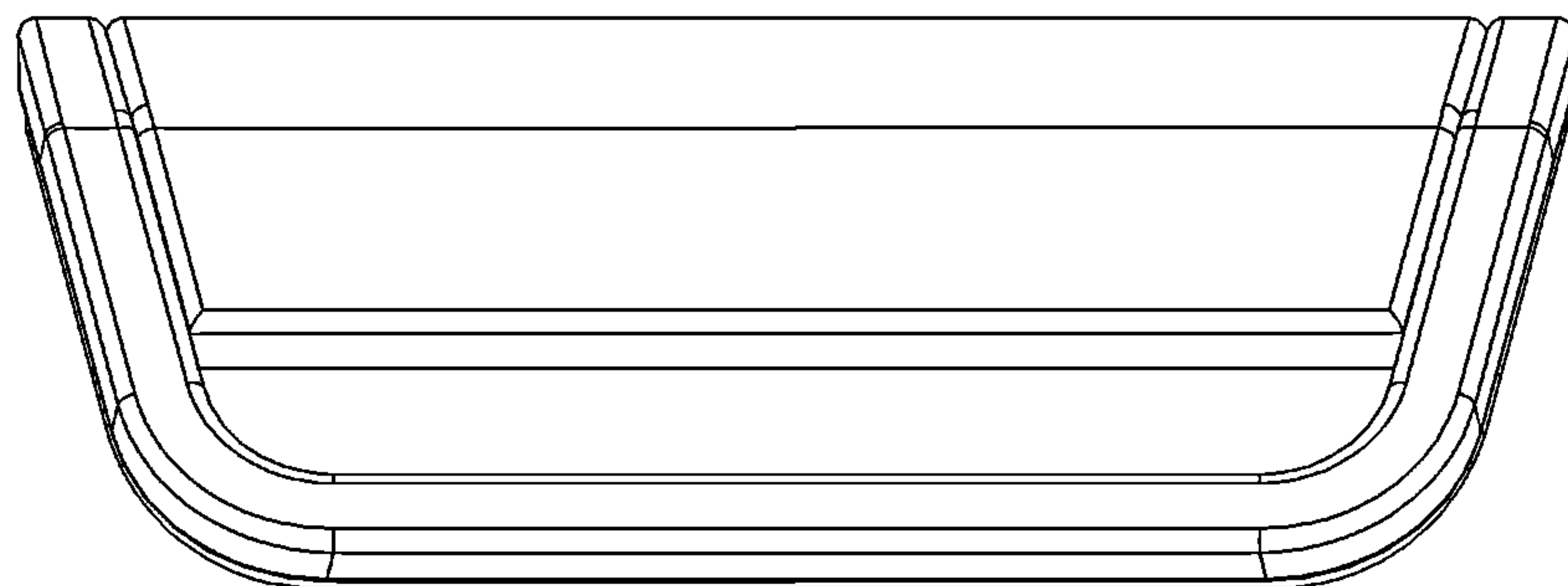


Fig. 7