



US00D723503S

(12) **United States Design Patent**
Jeon et al.

(10) **Patent No.:** **US D723,503 S**
(45) **Date of Patent:** **** Mar. 3, 2015**

(54) **TELEPHONE**

(71) Applicant: **Samsung Electronics Co., Ltd.**,
Suwon-si, Gyeonggi-do (KR)

(72) Inventors: **So-Yoon Jeon**, Guri-si (KR); **Eun-Ae Shally Lee**, Seoul (KR); **Bum-Ho Chun**, Seoul (KR)

(73) Assignee: **Samsung Electronics Co., Ltd.** (KR)

(**) Term: **14 Years**

(21) Appl. No.: **29/479,279**

(22) Filed: **Jan. 14, 2014**

(30) **Foreign Application Priority Data**

Jul. 19, 2013 (KR) 30-2013-0037418

(51) **LOC (10) Cl.** **14-03**

(52) **U.S. Cl.**
USPC **D14/151**; D14/130; D14/142

(58) **Field of Classification Search**
USPC D14/151, 130, 140.7, 140.8, 142, 144,
D14/149, 150, 155, 158, 159, 188, 217, 226,
D14/229, 240, 251–253, 399, 329;
D21/517; 455/557, 575.1, 74.1;
710/303; D13/107, 108, 168; D10/65;
379/88.17, 90.01, 93.17, 387.01,
379/388.02, 419–420.04, 420.02,
379/428.01–428.04, 434–436, 440,
379/446–447, 454–455, 93.23

See application file for complete search history.

(56) **References Cited**

U.S. PATENT DOCUMENTS

D293,440 S * 12/1987 Britz D14/149
D294,250 S * 2/1988 Watanabe et al. D14/130
D299,456 S * 1/1989 Kuo D14/151
D300,927 S * 5/1989 Lindinger-Lowy et al. . D14/150
D303,114 S * 8/1989 Danielson et al. D14/142
D304,564 S * 11/1989 Kido et al. D14/151
D319,641 S * 9/1991 Sugi et al. D14/151

D326,649 S * 6/1992 Joffe et al. D14/142
D327,063 S * 6/1992 Panzer D14/151
5,369,700 A * 11/1994 Koura et al. 379/165
D366,484 S * 1/1996 Levin D14/151
D397,112 S * 8/1998 Locklin et al. D14/151
D405,447 S * 2/1999 Landry et al. D14/151
D427,985 S * 7/2000 Takayama et al. D14/151
D428,000 S * 7/2000 Takayama et al. D14/140.9
6,445,793 B1 * 9/2002 Vassallo et al. 379/428.01
6,711,257 B1 * 3/2004 Vassallo et al. 379/387.01
D490,394 S * 5/2004 Taniguchi et al. D14/151
D530,303 S * 10/2006 Tang D14/151
D537,065 S * 2/2007 Chen D14/151
D551,203 S * 9/2007 Abe et al. D14/151

(Continued)

Primary Examiner — Susan Bennett Hattan

Assistant Examiner — Marie Fast Horse

(74) *Attorney, Agent, or Firm* — Cantor Colburn LLP

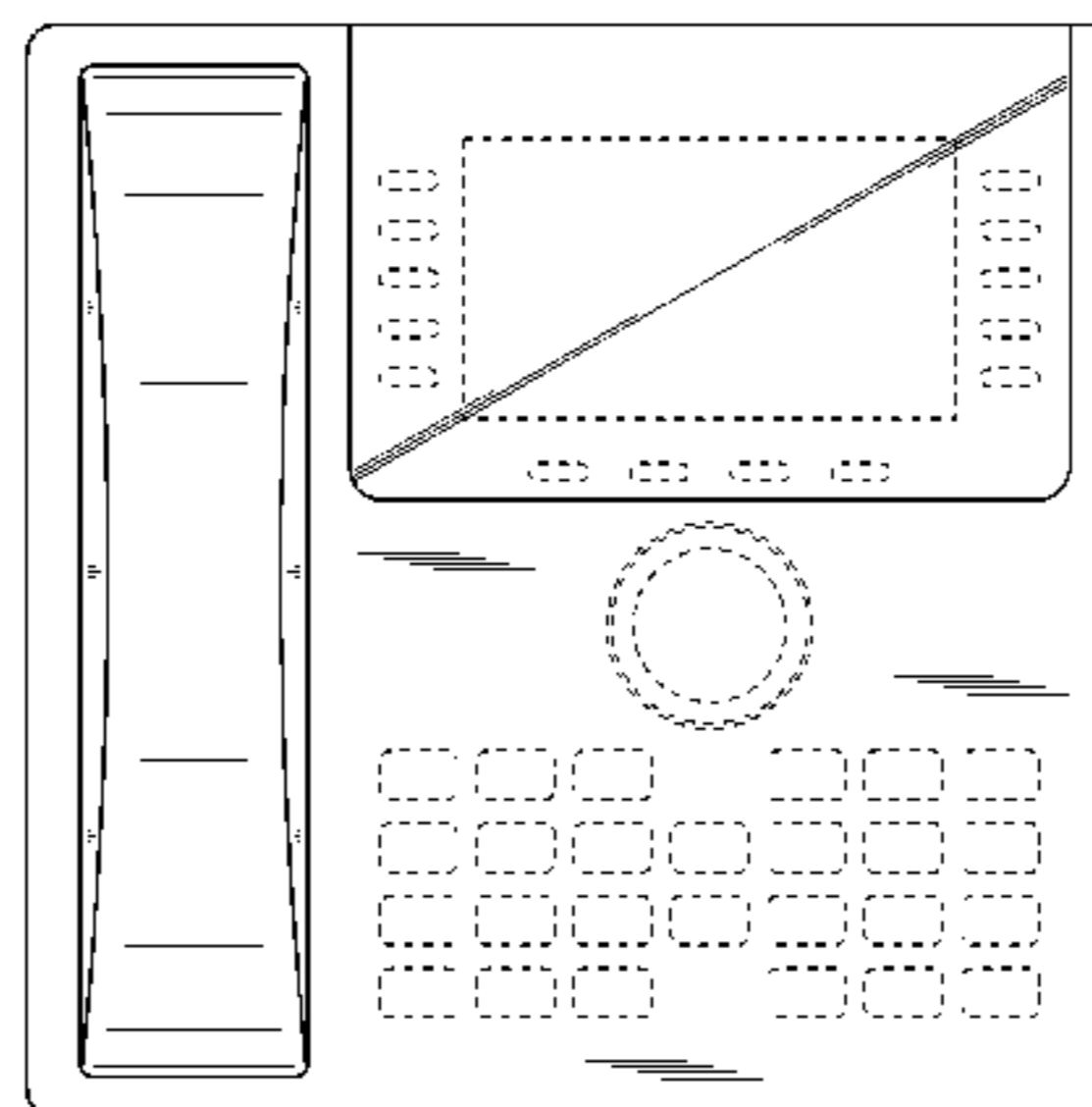
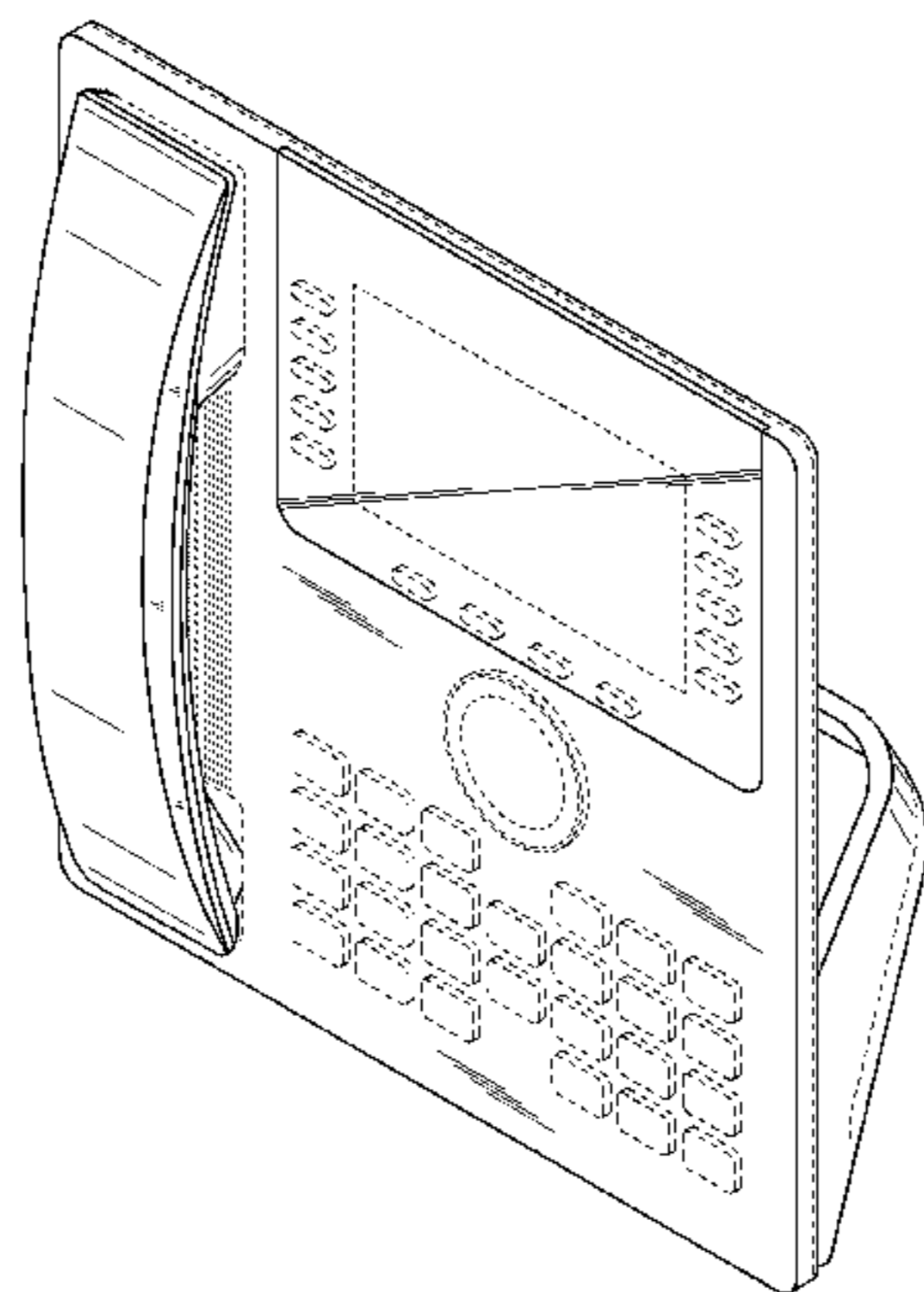
(57) **CLAIM**

We claim, the ornamental design for a telephone, as shown and described.

DESCRIPTION

FIG. 1 is a front perspective view of a telephone showing our new design;
FIG. 2 is a front view thereof;
FIG. 3 is a rear view thereof;
FIG. 4 is a side view thereof;
FIG. 5 is another side view thereof;
FIG. 6 is a top view thereof;
FIG. 7 is a bottom view thereof;
FIG. 8 is another side view thereof, in which the telephone is shown in another position;
FIG. 9 is another side view thereof, in which the telephone is shown in another position showing the base portion detached, rotated 180 degrees, and reattached to the opposite inclined surface; and,
FIG. 10 is another front view thereof, in which the telephone is shown in a module inclusive environment.
The broken lines illustrating portions of the telephone are for environmental purposes only and form no part of the claimed design.

1 Claim, 6 Drawing Sheets



(56)

References Cited

U.S. PATENT DOCUMENTS

D552,071 S *	10/2007	Park et al.	D14/151	D613,724 S *	4/2010	Kao et al.	D14/151
D577,706 S *	9/2008	Andrews et al.	D14/151	D616,843 S *	6/2010	Jones et al.	D14/130
D580,906 S *	11/2008	Fuxen	D14/151	D657,773 S *	4/2012	Corsini et al.	D14/151
D581,897 S *	12/2008	Katori	D14/151	D675,592 S *	2/2013	Fuxen	D14/151
D582,886 S *	12/2008	Woo et al.	D14/151	D676,411 S *	2/2013	Taniguchi et al.	D14/151
7,483,531 B1 *	1/2009	Gordon	379/435	2004/0234071 A1 *	11/2004	Bae et al.	379/419
D588,573 S *	3/2009	West et al.	D14/151	2008/0240416 A1 *	10/2008	Abramson et al.	379/428.03
D594,439 S *	6/2009	Jeon et al.	D14/151	2010/0061531 A1 *	3/2010	Lund	379/142.04
D596,612 S *	7/2009	Akatsu et al.	D14/151	2010/0322410 A1 *	12/2010	Lin et al.	379/428.03
D600,670 S *	9/2009	Akatsu et al.	D14/151	2011/0216898 A1 *	9/2011	Huang et al.	379/428.02
D609,212 S *	2/2010	Turnbull et al.	D14/151	2012/0195306 A1 *	8/2012	Lund	370/352
D611,031 S *	3/2010	Lesniak et al.	D14/151	2012/0321057 A1 *	12/2012	Goodman et al.	379/90.01
				2013/0108037 A1 *	5/2013	Chen	379/446
				2014/0064477 A1 *	3/2014	Chiang	379/436

* cited by examiner

FIG.1

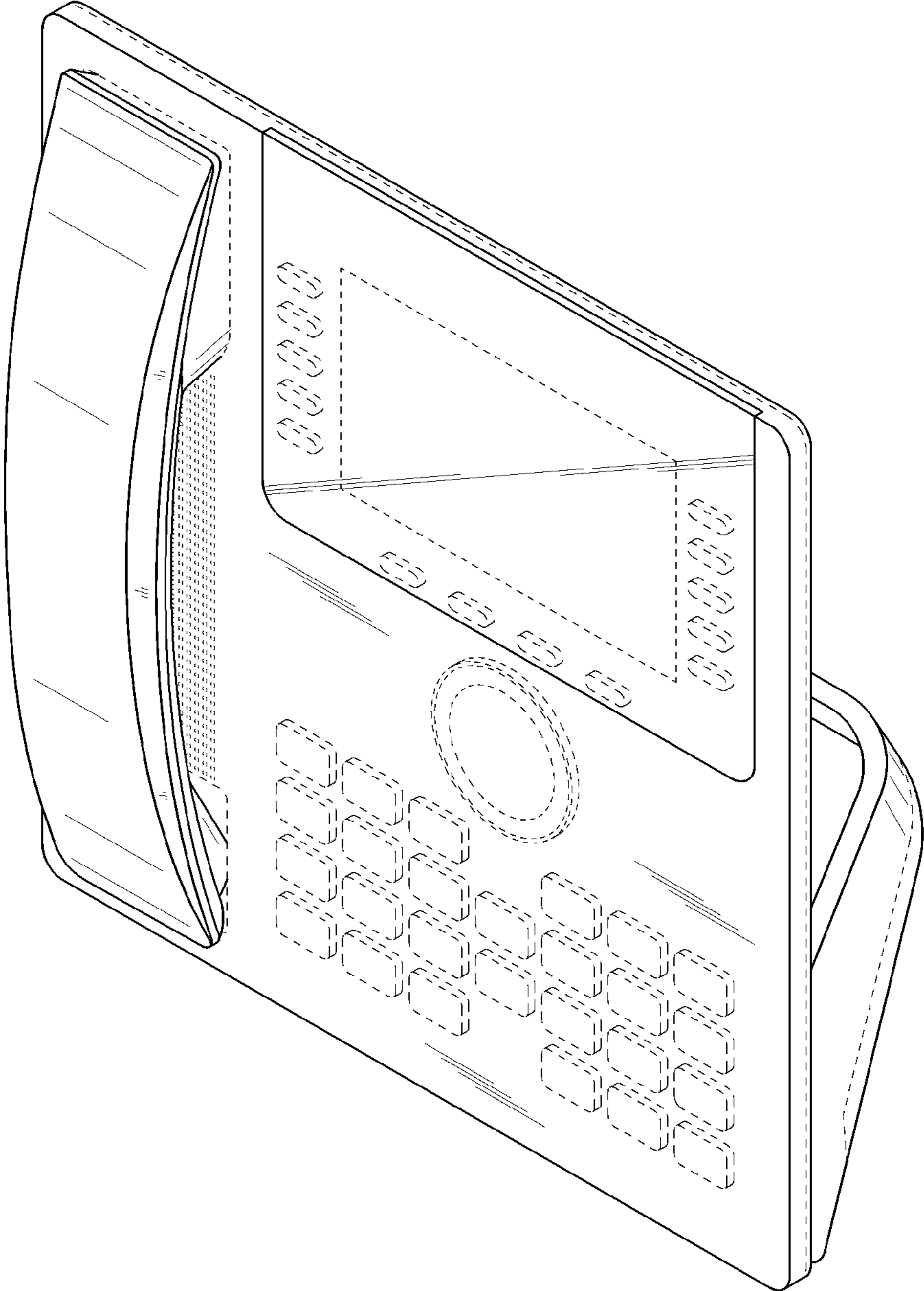


FIG.2

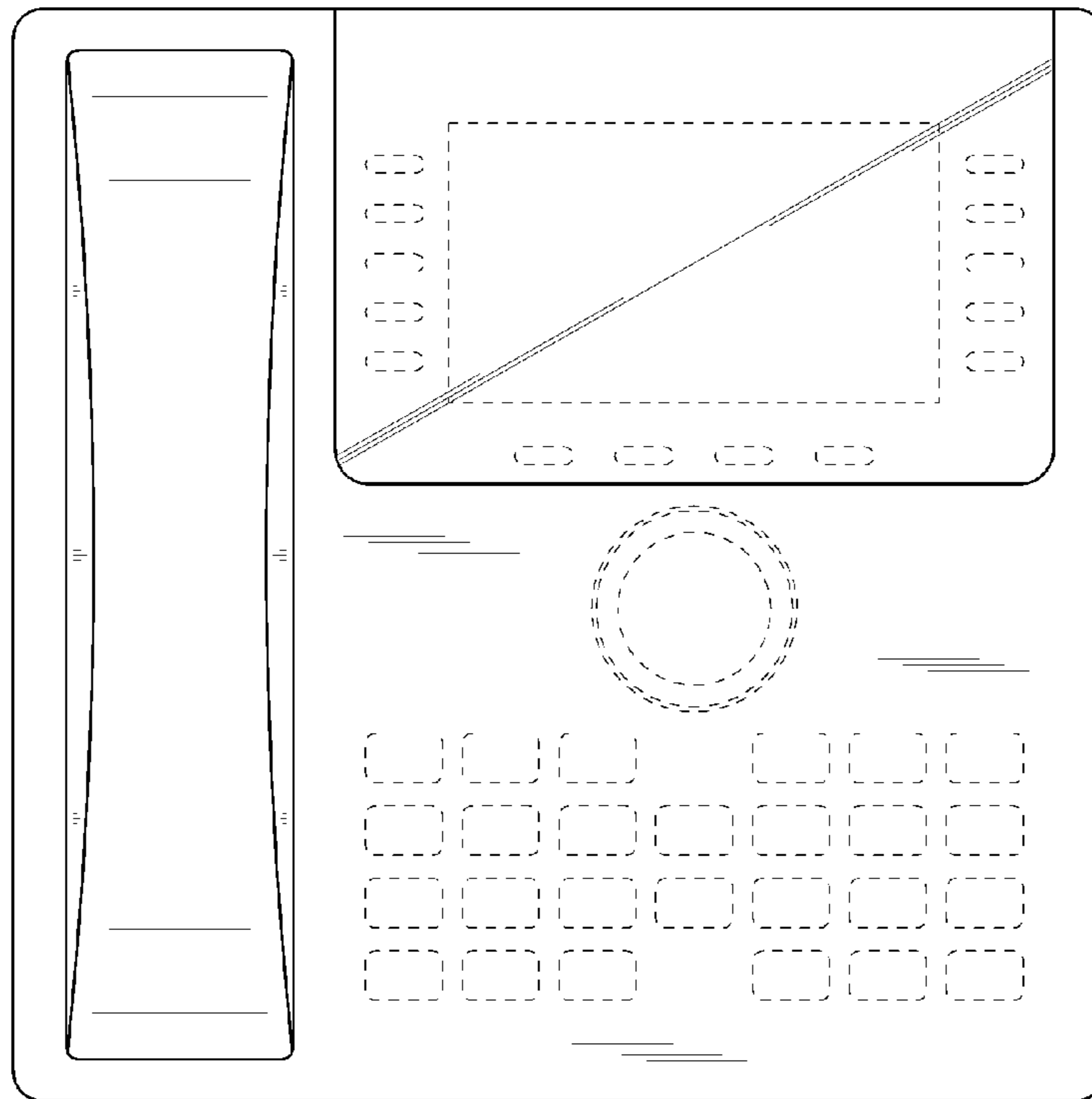


FIG.3

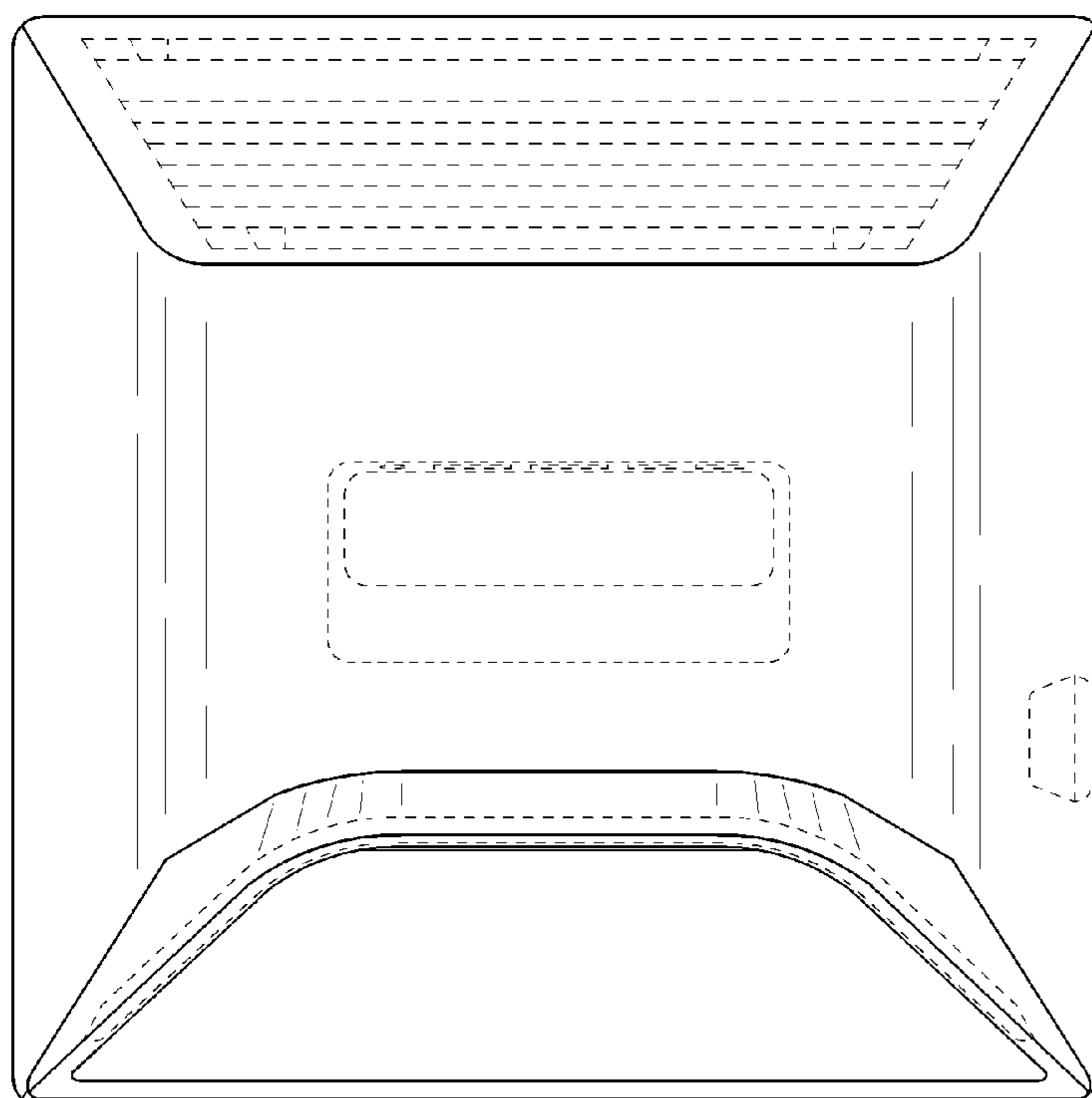


FIG.4

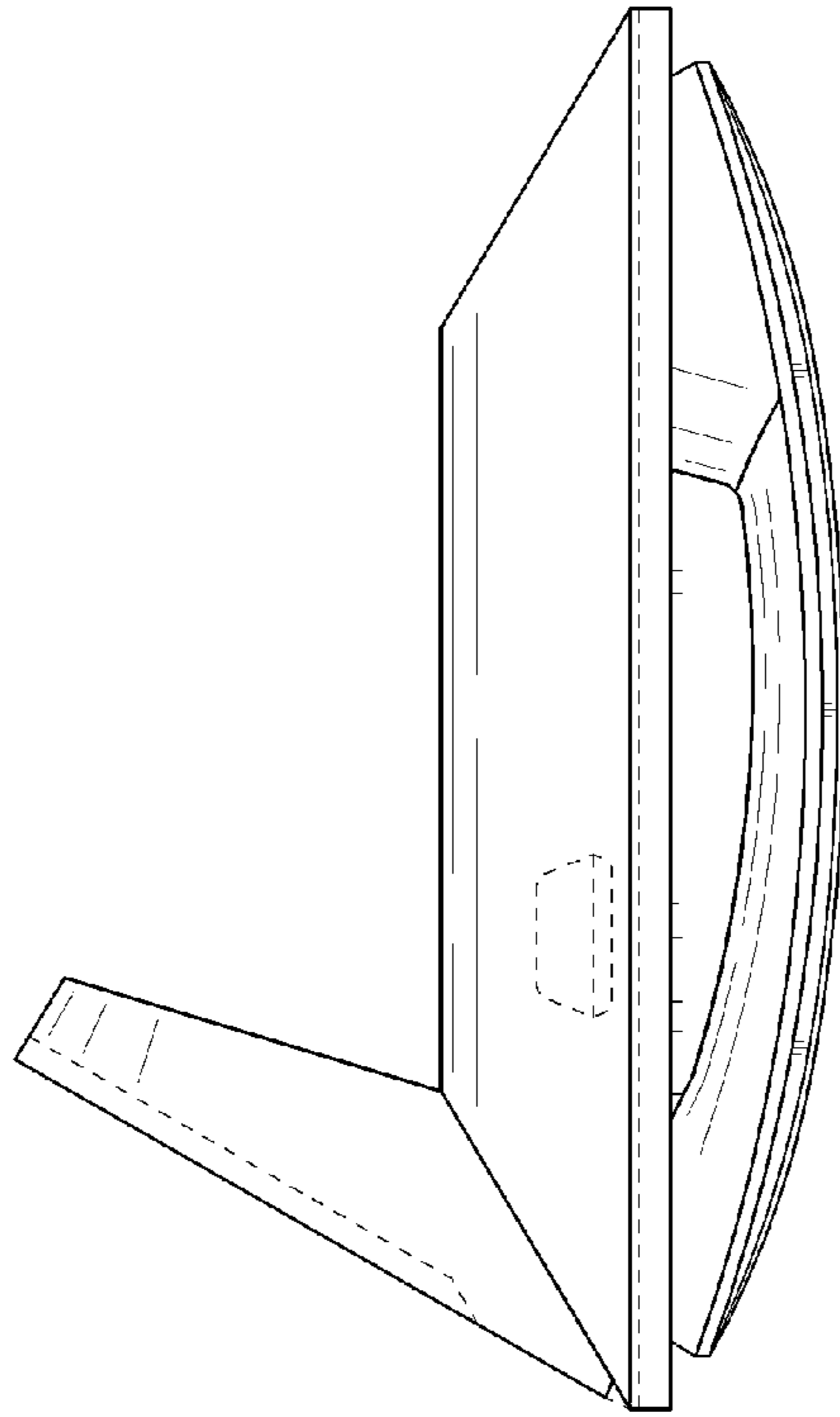


FIG.5

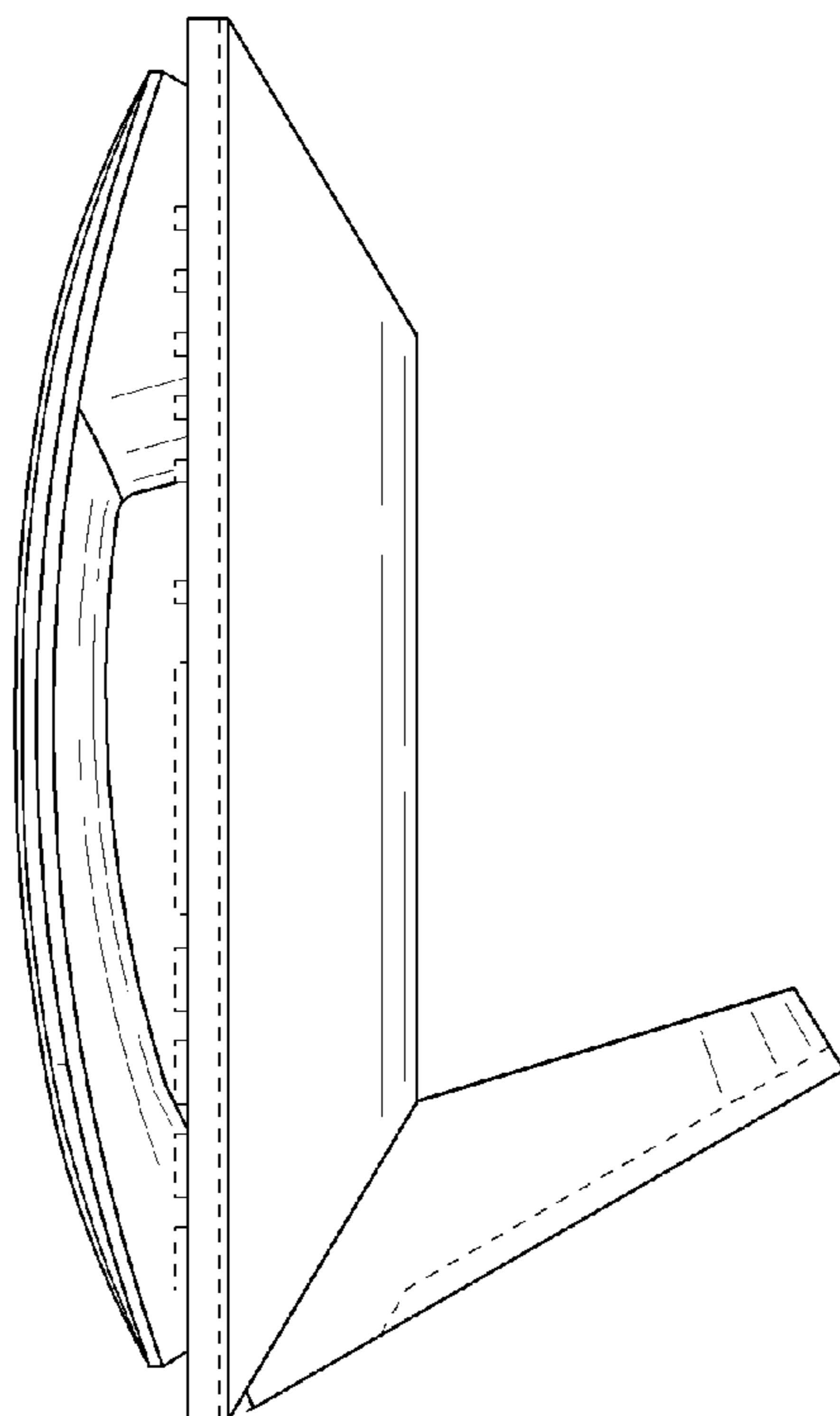


FIG.6

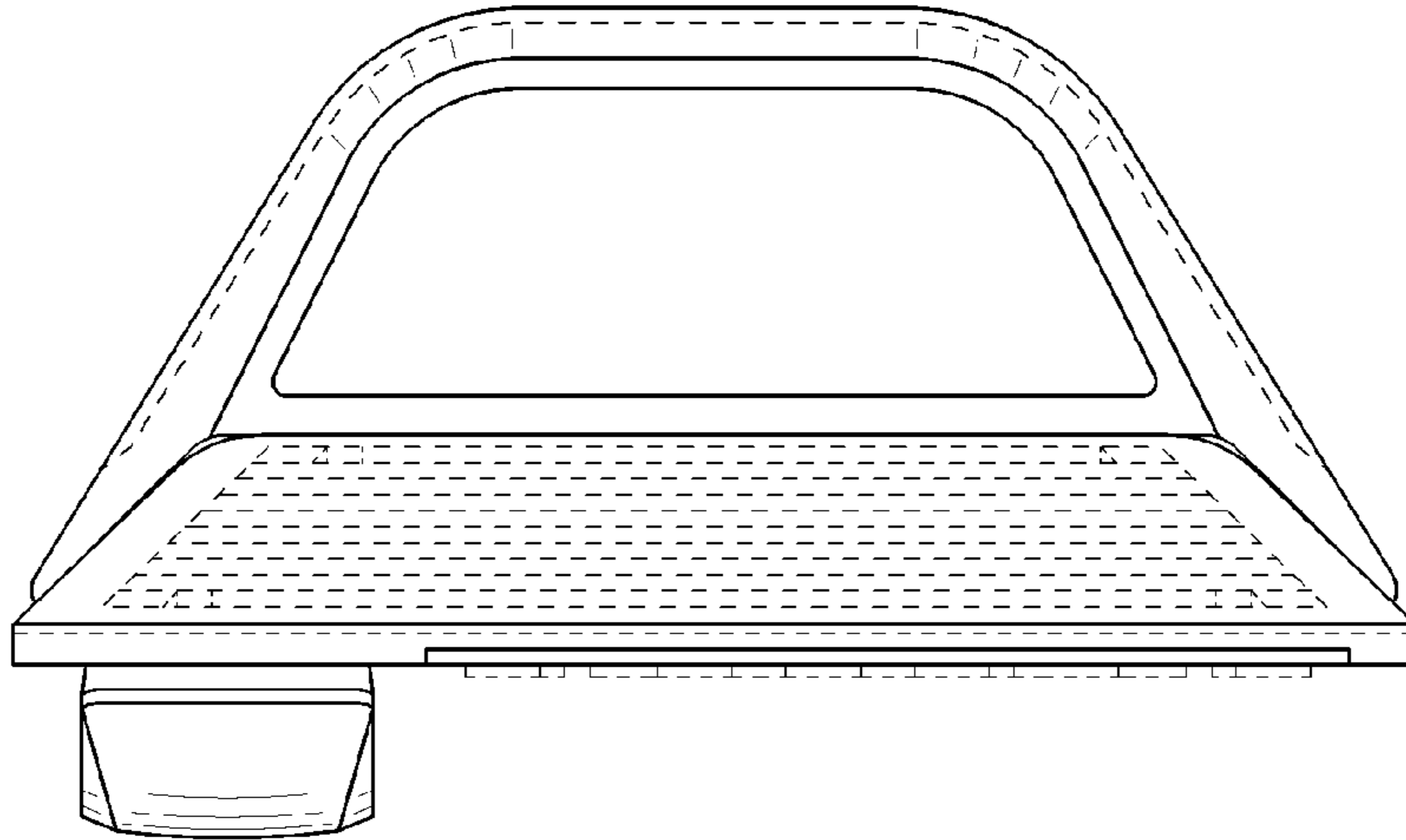


FIG.7

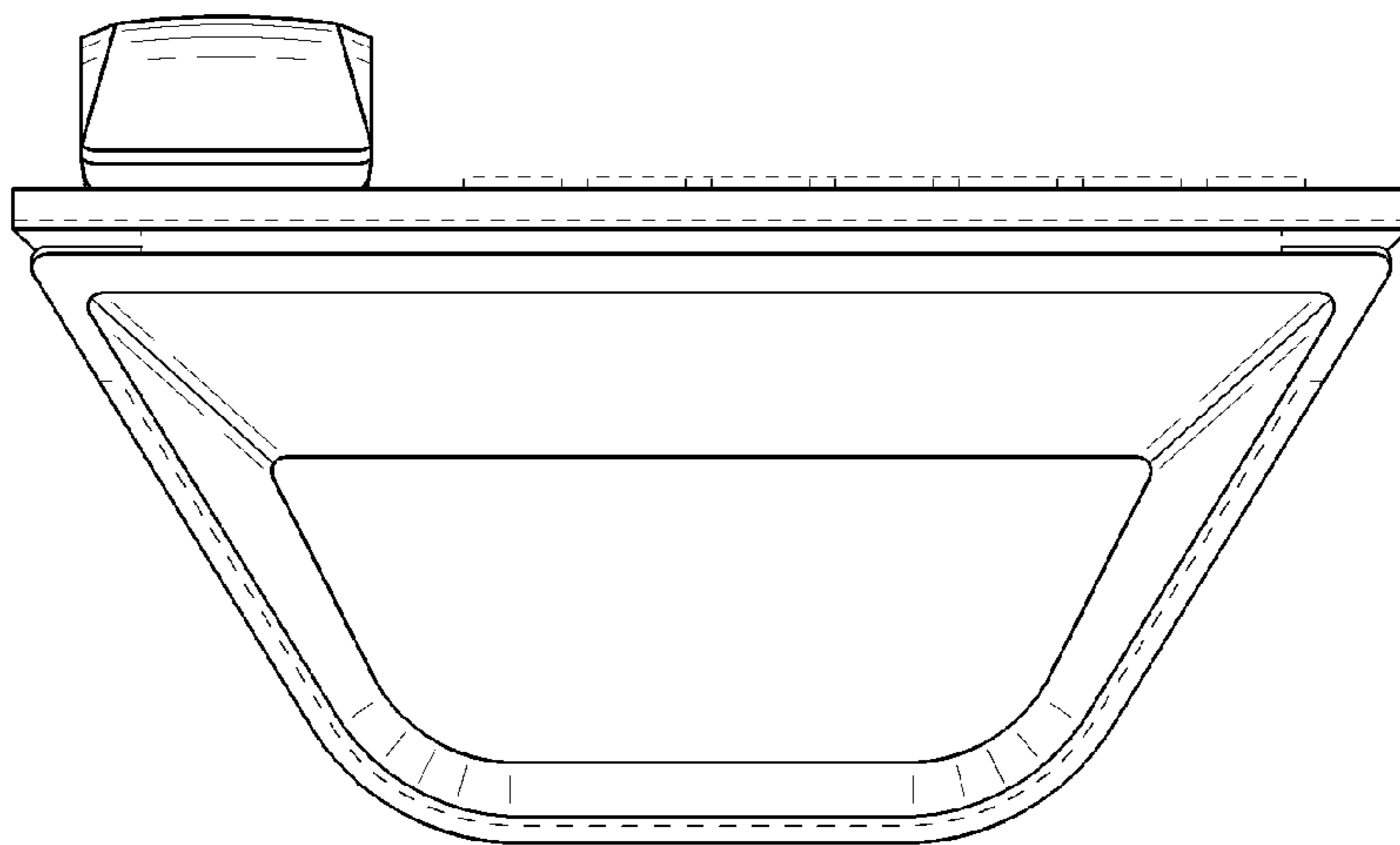


FIG.8

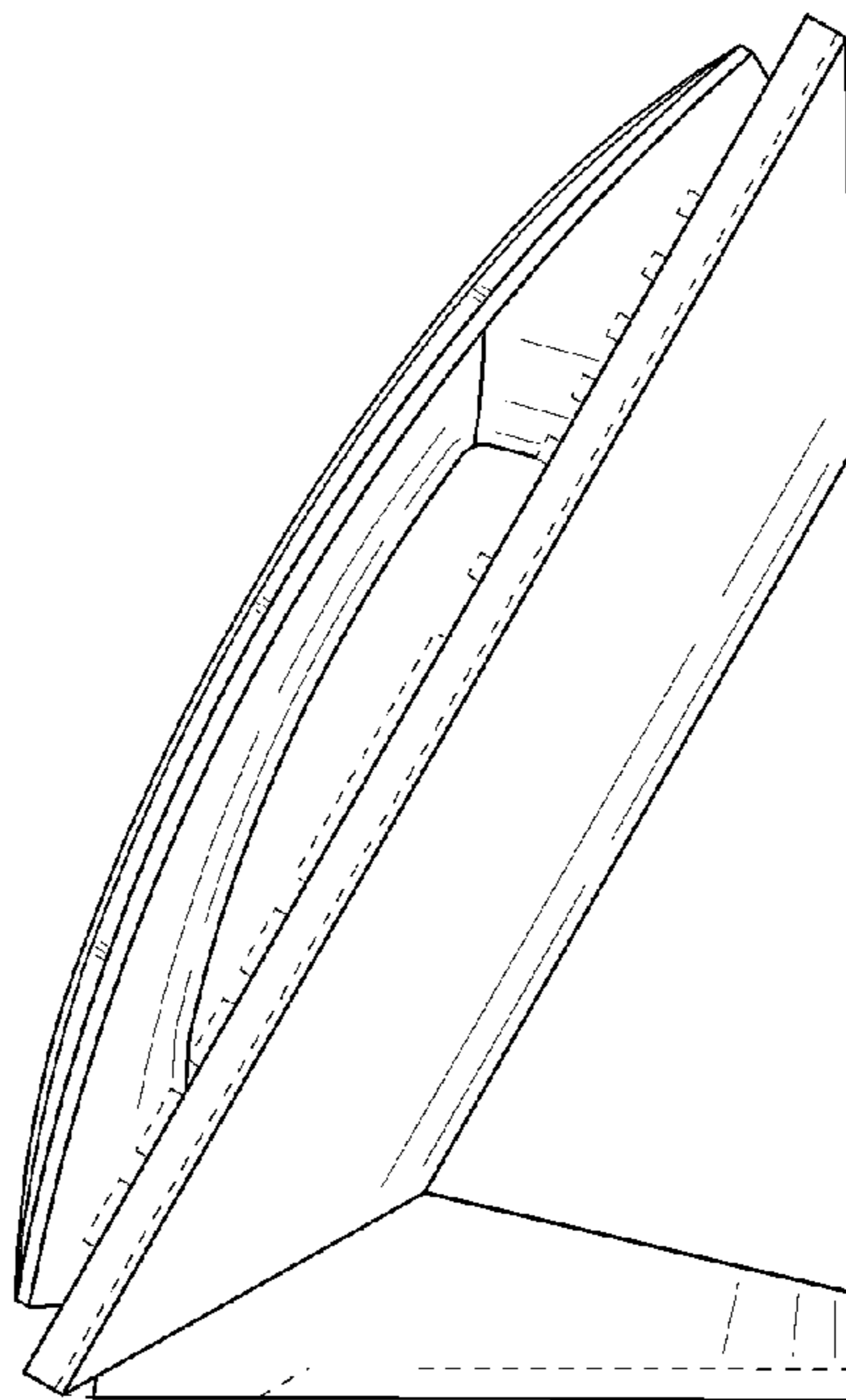


FIG.9

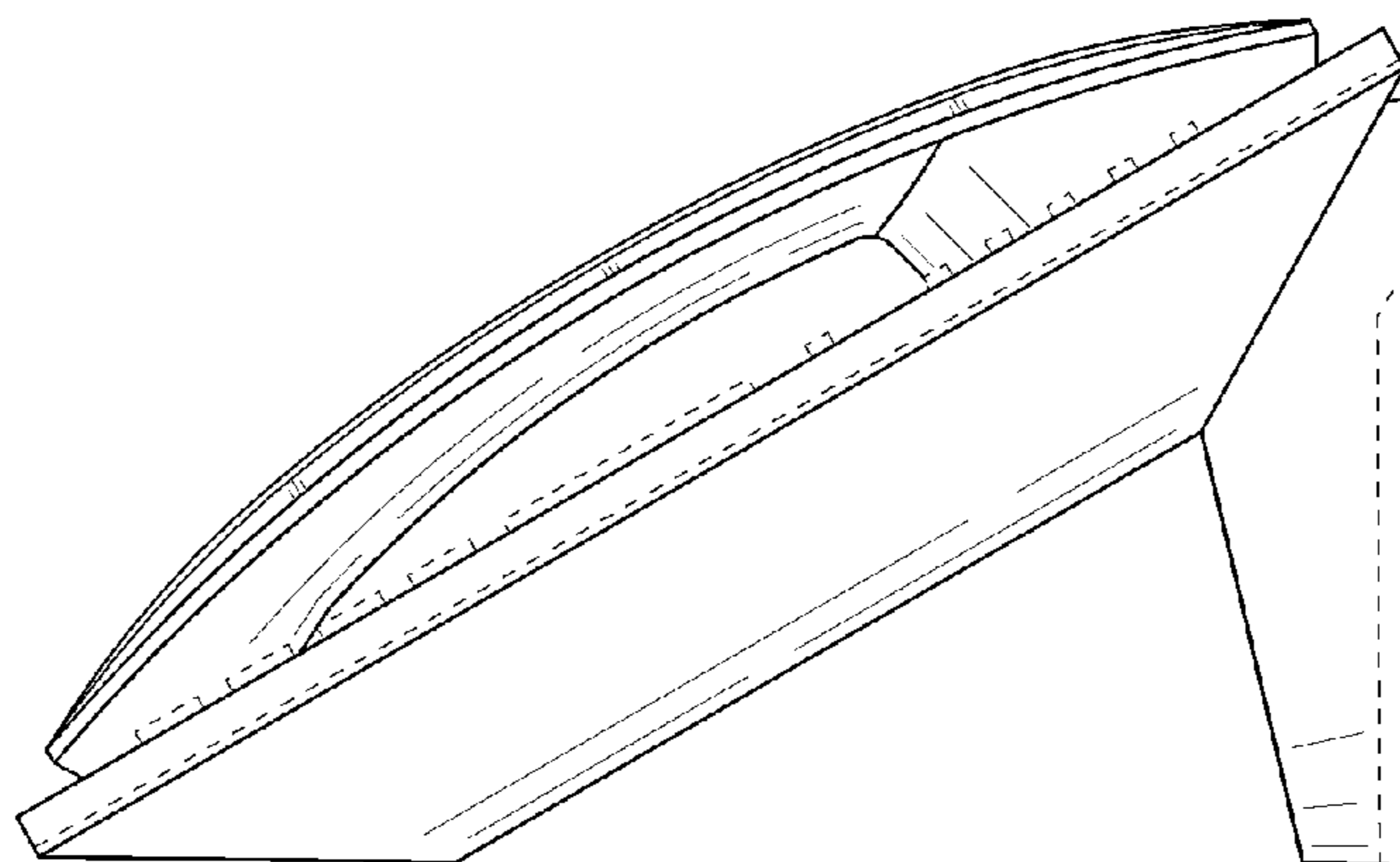


FIG.10

