



US00D723501S

(12) **United States Design Patent**
Jeon et al.

(10) **Patent No.:** **US D723,501 S**
(45) **Date of Patent:** **** Mar. 3, 2015**

(54) **ADD ON MODULE FOR TELEPHONE**

(71) Applicant: **Samsung Electronics Co., Ltd.**,
Suwon-si, Gyeonggi-do (KR)

(72) Inventors: **So-Yoon Jeon**, Guri-si (KR); **Eun-Ae Shally Lee**, Seoul (KR); **Bum-Ho Chun**, Seoul (KR)

(73) Assignee: **Samsung Electronics Co., Ltd.** (KR)

(**) Term: **14 Years**

(21) Appl. No.: **29/479,281**

(22) Filed: **Jan. 14, 2014**

(30) **Foreign Application Priority Data**

Jul. 19, 2013 (KR) 30-2013-0037417

(51) **LOC (10) Cl.** **14-03**

(52) **U.S. Cl.**
USPC **D14/140.8**

(58) **Field of Classification Search**

CPC H04M 1/0254; H04M 1/0256; H04M 1/0266; H04M 1/0295; H04M 1/02; H04M 1/04; H04N 5/44543
USPC D14/151, 130, 140.7, 140.8, 142, 144, D14/149, 150, 155, 158, 159, 188, 217, 226, D14/229, 240, 251-253, 307, 336, 399, D14/329; D21/517; 455/557, 575.1, 74.1; 710/303; D13/107, 108, 168; D10/1-4, D10/15, 24-27, 65; 379/88.17, 90.01, 379/93.17, 93.23, 387.01, 388.02, 379/419-420.04, 420.02, 428.01-428.04, 379/434-436, 440, 446-447, 454-455
See application file for complete search history.

(56) **References Cited**

U.S. PATENT DOCUMENTS

D138,747 S * 9/1944 Parker D6/302
D340,057 S * 10/1993 Wetzel et al. D14/140.9

D355,187 S * 2/1995 Danielson et al. D14/141.1
D374,674 S * 10/1996 Elkins et al. D14/140.9
D387,063 S * 12/1997 Hillenmayer et al. D14/140.9
D388,102 S * 12/1997 Yoneyama D14/140.8
D417,222 S * 11/1999 Johnson et al. D14/140.9

(Continued)

OTHER PUBLICATIONS

Yealink T4 series IP Phone (and expansion module). Yealink.com [online] p. 2 of 3. Posted Jul. 4, 2013[retrieved on Jun. 25, 2014]. Retrieved from Internet: <http://www.yealink.com/EN/News_info.aspx?NewsId=361&CateId=306>.*

Primary Examiner — Susan Bennett Hattan

Assistant Examiner — Marie Fast Horse

(74) *Attorney, Agent, or Firm* — Cantor Colburn LLP

(57) **CLAIM**

We claim, the ornamental design for an add on module for telephone, as shown and described.

DESCRIPTION

FIG. 1 is a front perspective view of an add on module for telephone showing our new design;
FIG. 2 is a front view thereof;
FIG. 3 is a rear view thereof;
FIG. 4 is a side view thereof;
FIG. 5 is another side view thereof;
FIG. 6 is a top view thereof;
FIG. 7 is a bottom view thereof;
FIG. 8 is another side view thereof, in which the add on module for telephone is shown in another position;
FIG. 9 is another side view thereof, in which the add on module for telephone is shown in another position showing the base portion detached, rotated 180 degrees, and reattached to the opposite inclined surface; and,
FIG. 10 is another front view thereof, wherein the add on module for telephone is shown in a telephone environment.
The broken lines illustrating portions of the Add on module for telephone are for environmental purposes only and form no part of the claimed design.

1 Claim, 6 Drawing Sheets

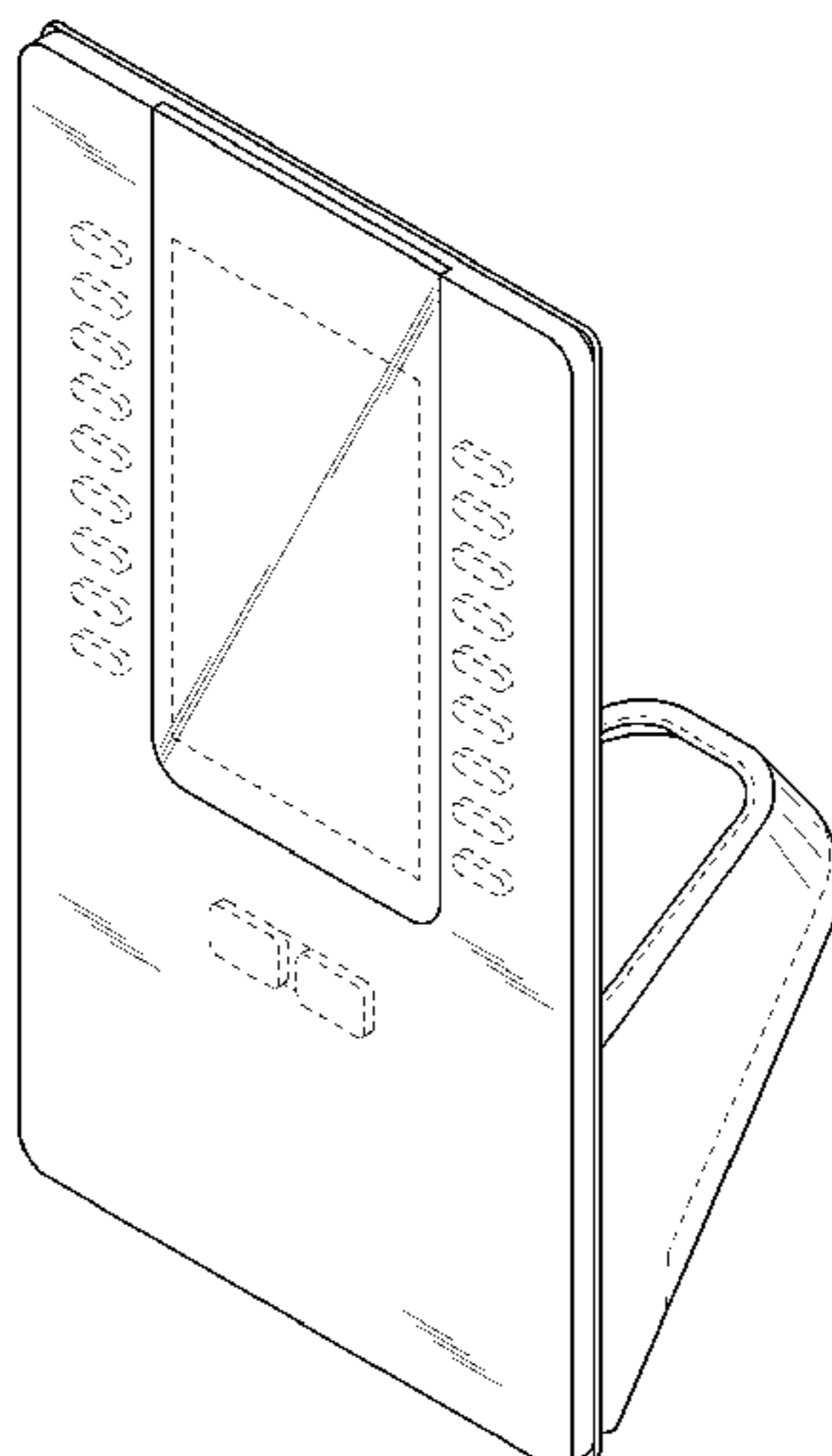


FIG.1

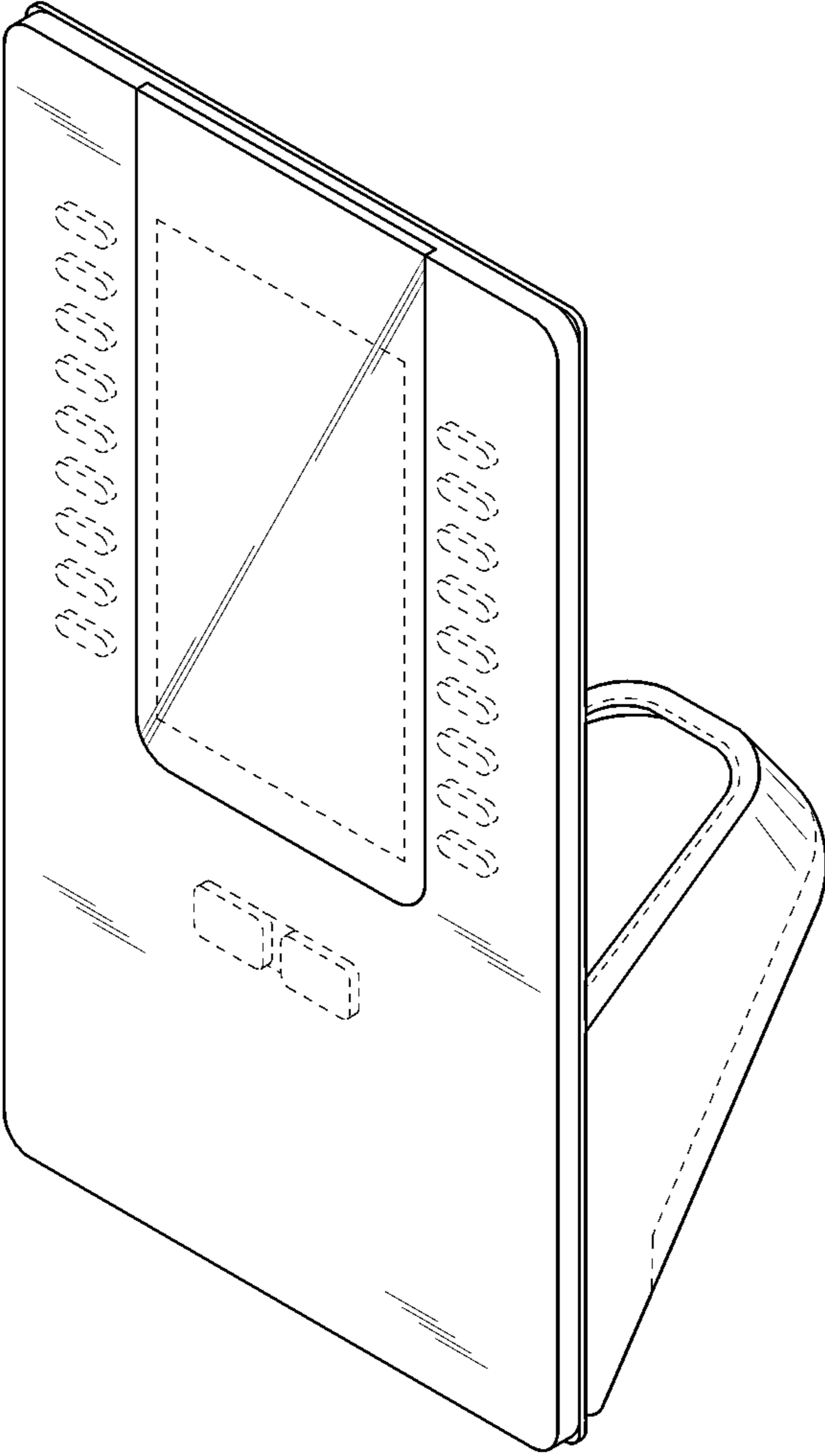


FIG.2

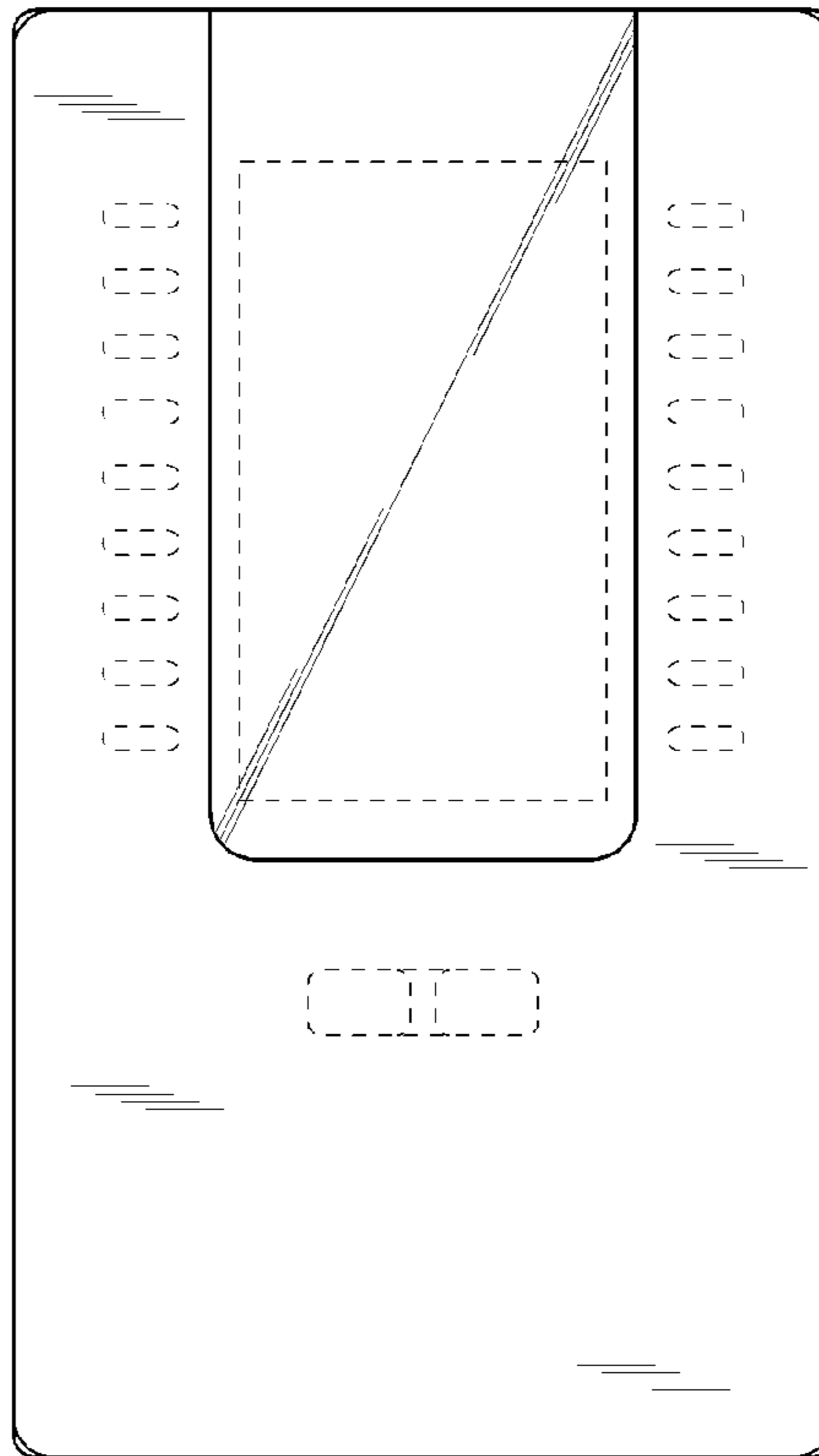


FIG.3

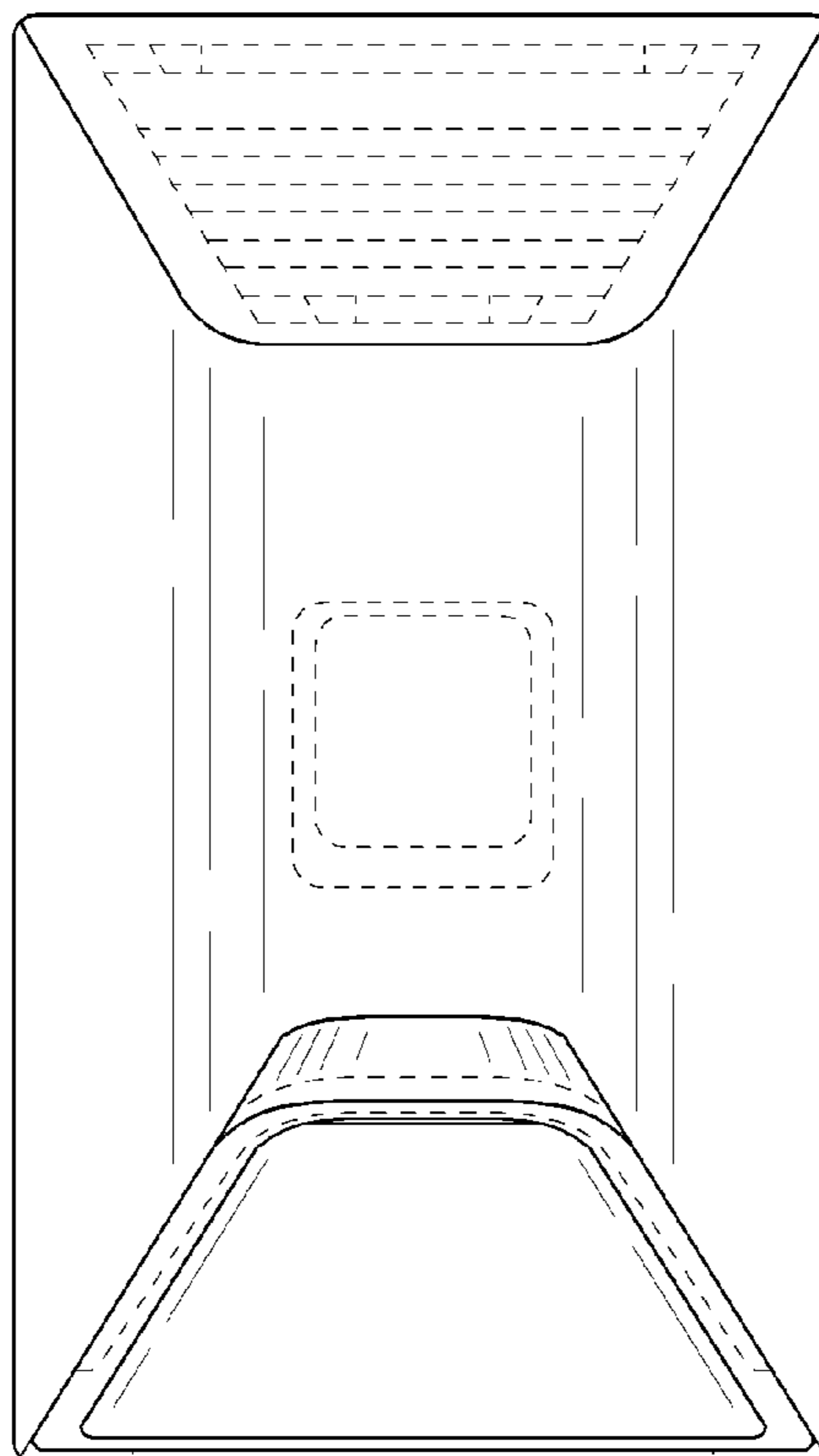


FIG.4

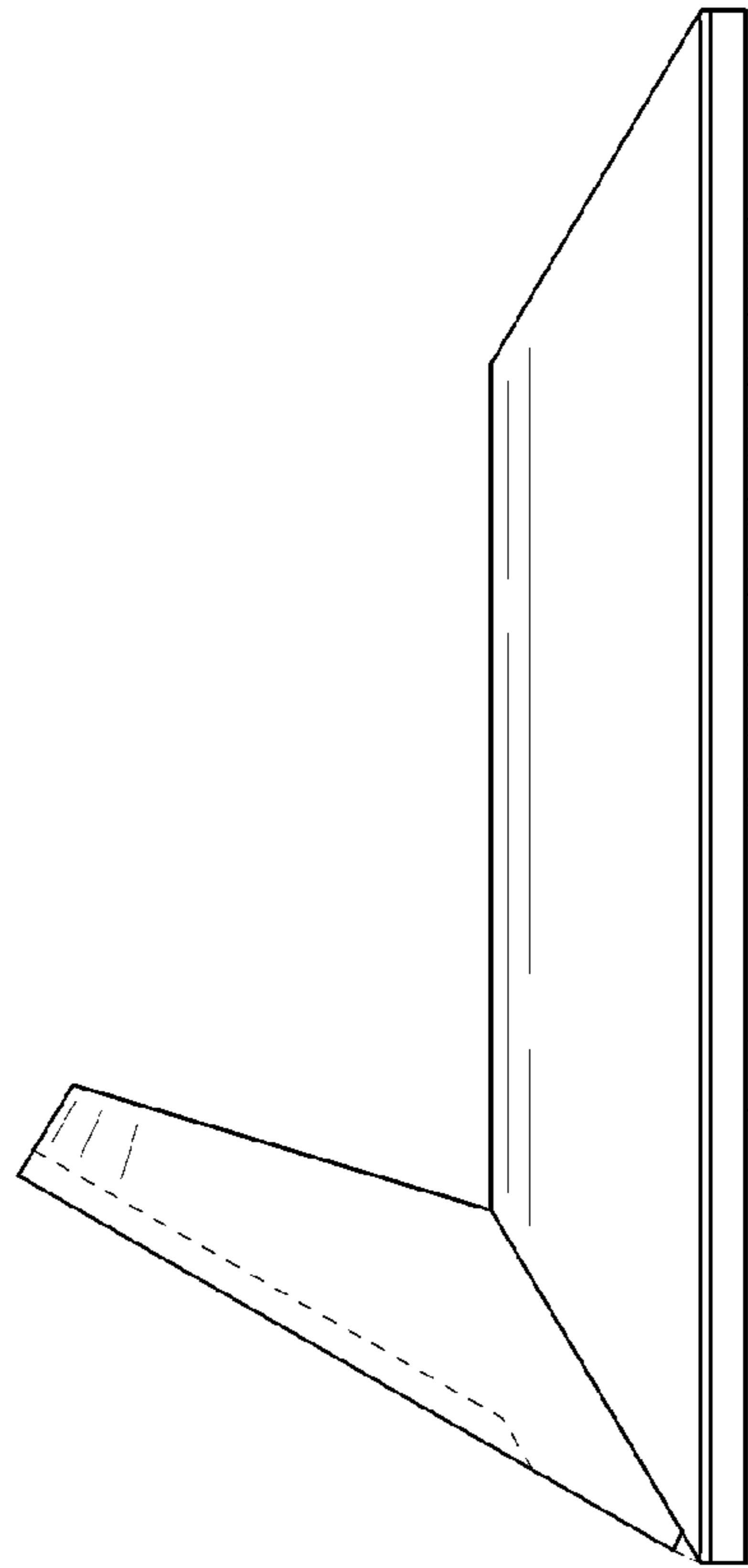


FIG.5

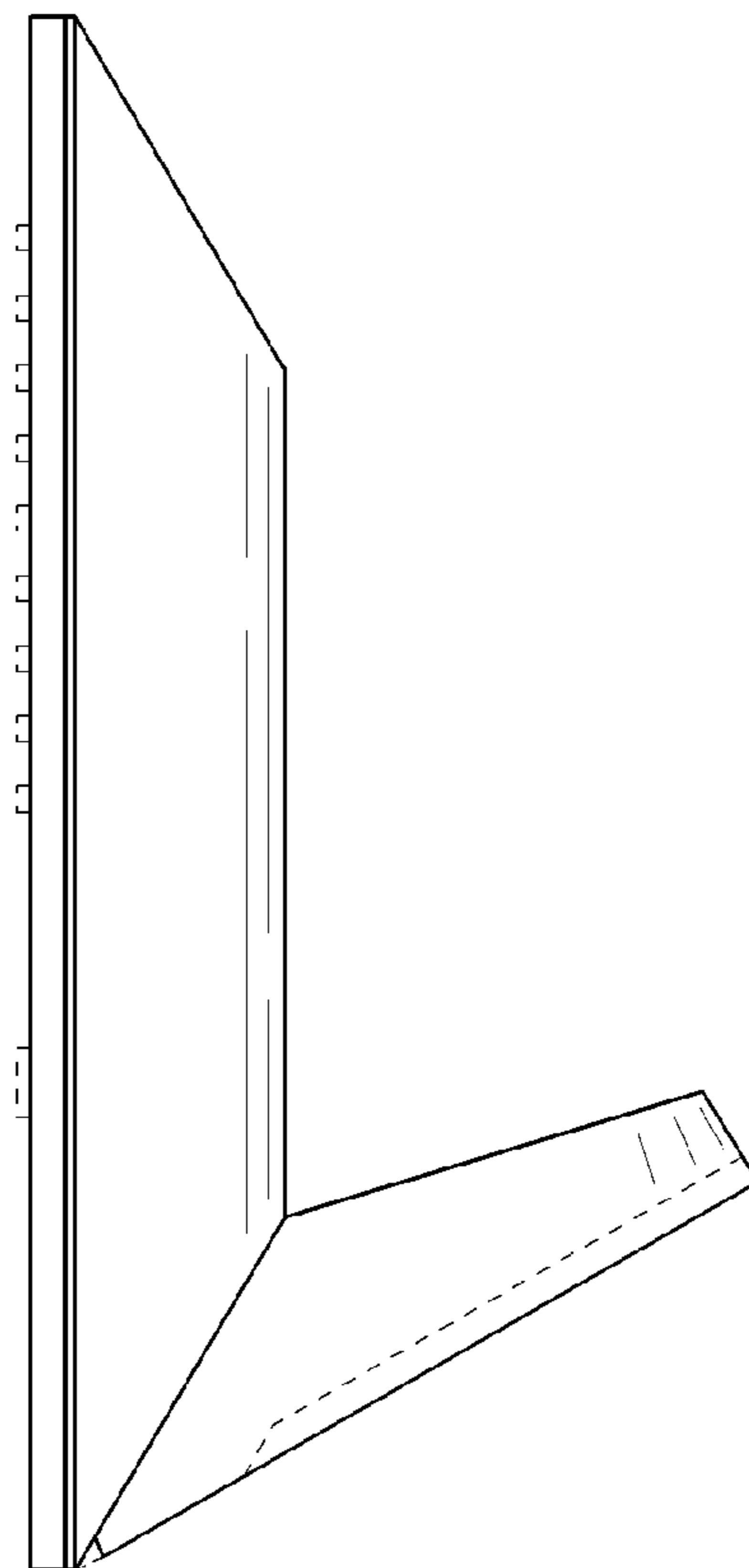


FIG.6

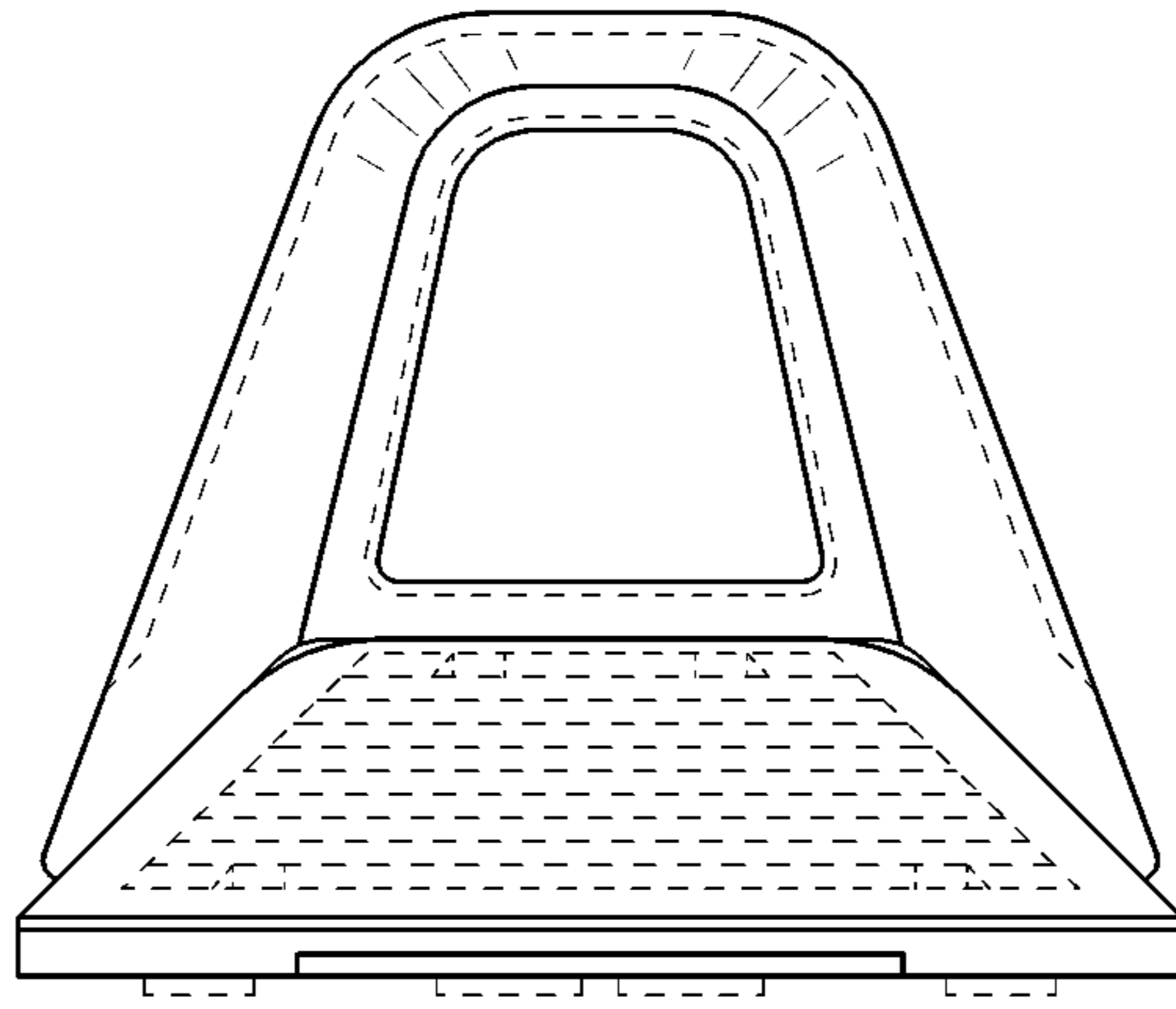


FIG.7

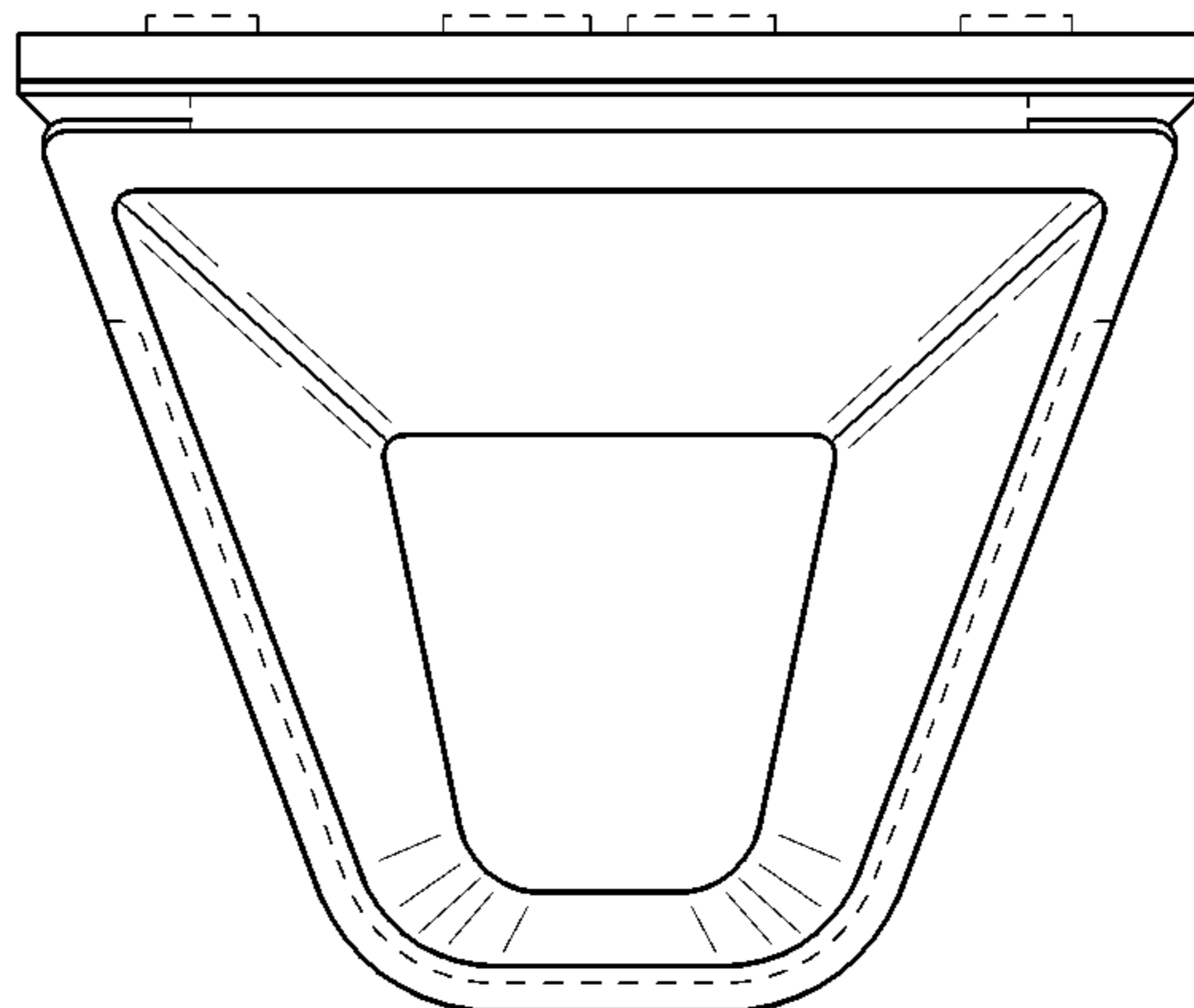


FIG.8

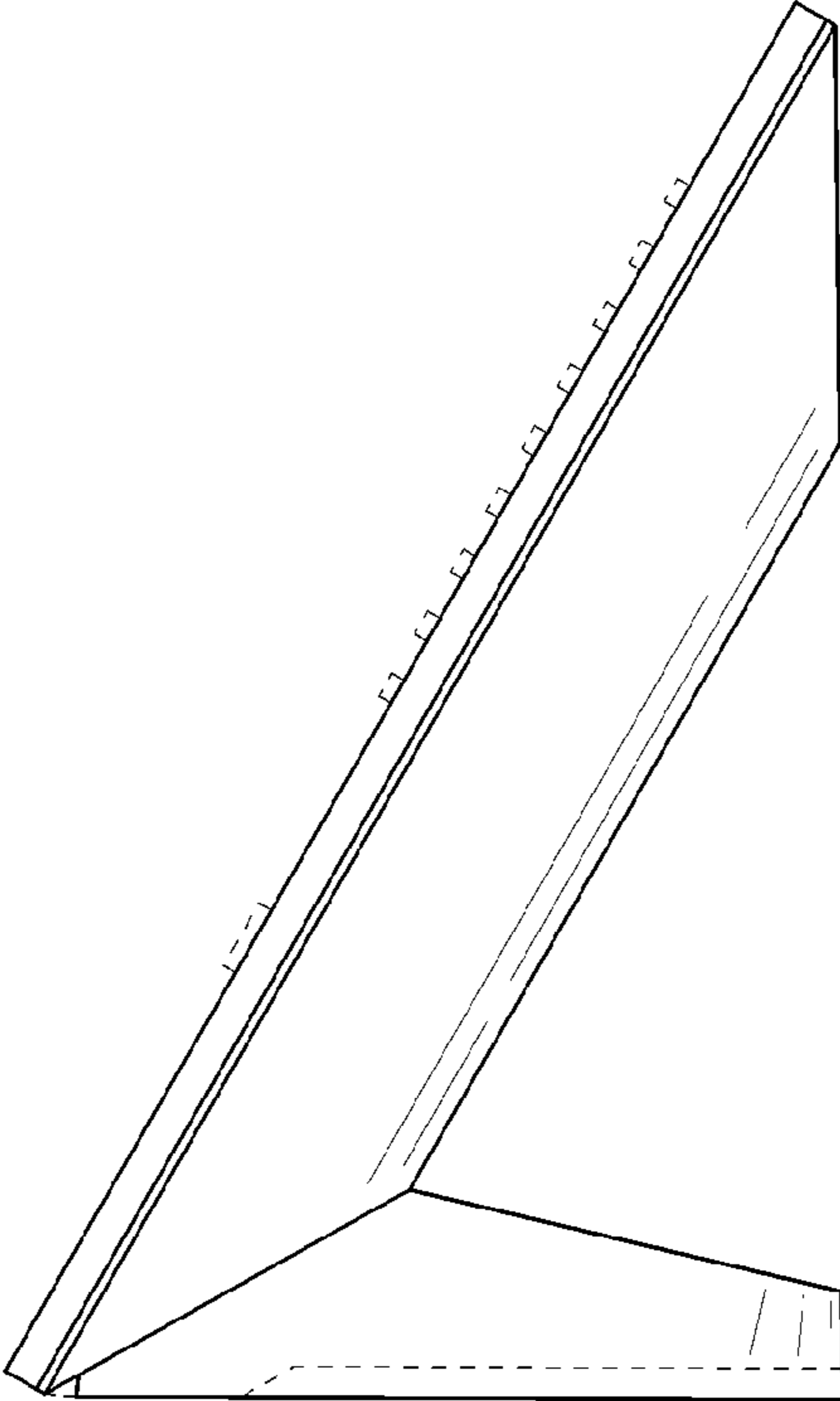


FIG.9

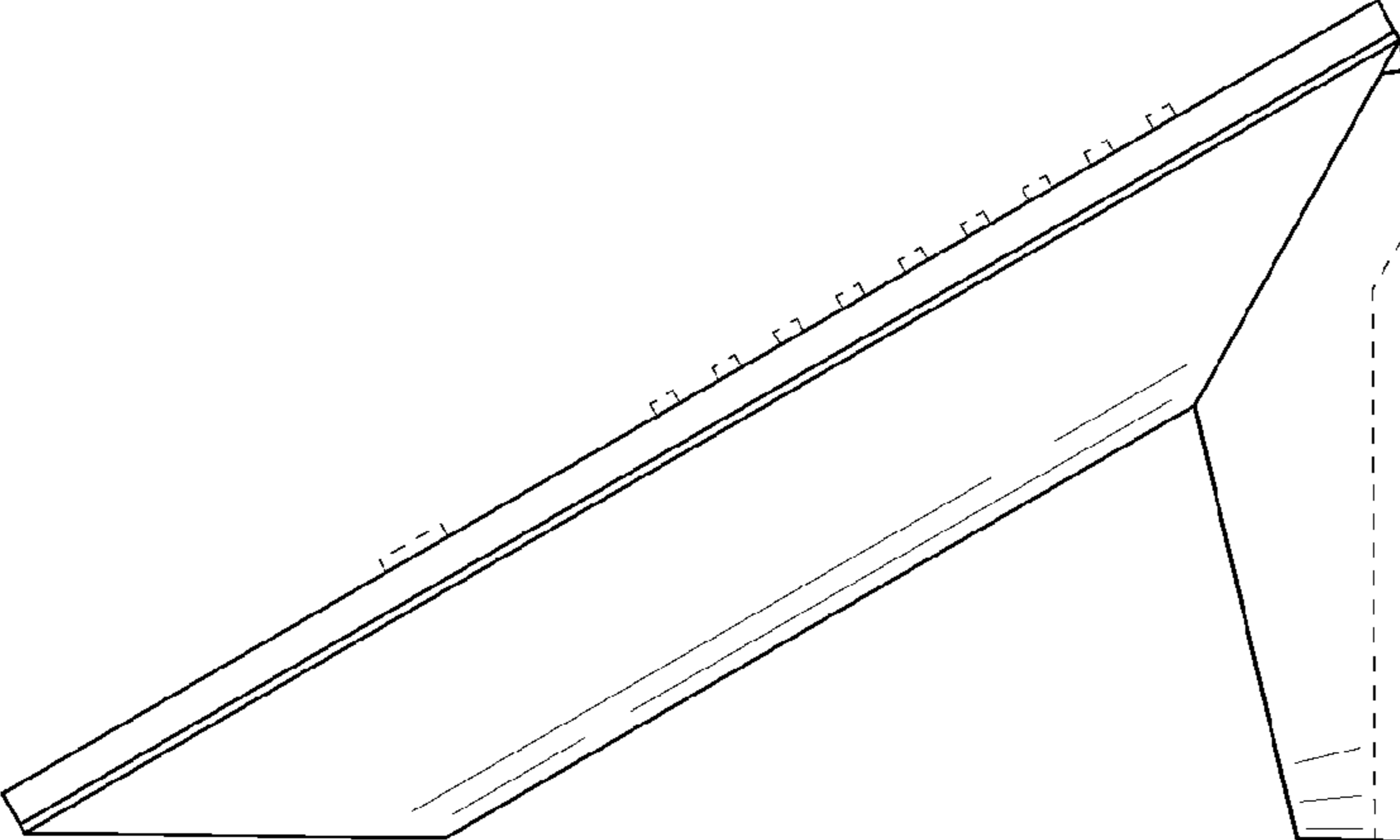


FIG.10

