



US00D723500S

(12) **United States Design Patent**  
**Takahashi**

(10) **Patent No.:** **US D723,500 S**  
(45) **Date of Patent:** **\*\* Mar. 3, 2015**

(54) **PORTABLE TERMINAL**

(71) Applicant: **KYOCERA Corporation**, Kyoto-shi,  
Kyoto (JP)

(72) Inventor: **Yuusuke Takahashi**, Osaka (JP)

(73) Assignee: **KYOCERA Corporation**, Kyoto (JP)

(\*\*) Term: **14 Years**

(21) Appl. No.: **29/490,091**

(22) Filed: **May 6, 2014**

(30) **Foreign Application Priority Data**

Mar. 13, 2014 (JP) ..... 2014-005275

(51) **LOC (10) Cl.** ..... **14-03**

(52) **U.S. Cl.**  
USPC ..... **D14/138 G**

(58) **Field of Classification Search**

CPC ..... H04M 1/02; H04M 1/0202-1/035;  
H04M 1/0235; H04M 1/0237; H04M 1/0239;  
H04M 1/03; H04M 1/23; H04M 1/72519;  
H04M 2250/22; G06F 1/1626  
USPC ..... D14/138 G, 138 AD, 138 R, 496, 203.1,  
D14/203.3, 203.5, 203.7, 248, 218, 341,  
D14/138 AC; 455/575.1, 556.1, 556.2,  
455/575.3, 575.4, 566; D21/517, 329, 331;  
379/433.01, 433.04; D13/168;  
361/679.3, 679.56; D10/65, 78

See application file for complete search history.

(56) **References Cited**

**U.S. PATENT DOCUMENTS**

D581,894 S \* 12/2008 Kim ..... D14/138 G  
D603,356 S \* 11/2009 Sterzick et al. .... D14/138 G  
D611,924 S \* 3/2010 Ou et al. .... D14/138 AD  
D618,200 S \* 6/2010 Kim et al. .... D14/138 AD  
D628,184 S \* 11/2010 Jung et al. .... D14/138 G  
D631,464 S \* 1/2011 Kim ..... D14/138 G

D633,068 S \* 2/2011 Chen et al. .... D14/138 G  
D640,221 S \* 6/2011 Lee et al. .... D14/138 AD  
D640,224 S \* 6/2011 Sadatsuki ..... D14/138 AD  
D643,006 S \* 8/2011 Han et al. .... D14/138 G  
D646,254 S \* 10/2011 Kim et al. .... D14/138 G  
D649,131 S \* 11/2011 Jyonoshita ..... D14/138 AD  
D651,186 S \* 12/2011 Park et al. .... D14/138 G  
D651,188 S \* 12/2011 Sugiyama ..... D14/138 AD  
D654,039 S \* 2/2012 Kim ..... D14/138 G  
D654,898 S \* 2/2012 Kim ..... D14/138 G  
D664,515 S \* 7/2012 Fagnot et al. .... D14/138 G  
D673,951 S \* 1/2013 Chang et al. .... D14/341  
D676,010 S \* 2/2013 Matsumoto ..... D14/138 G  
D680,984 S \* 4/2013 Harmon et al. .... D14/138 G  
D680,990 S \* 4/2013 Hashimoto et al. .... D14/138 G  
D685,754 S \* 7/2013 Palmer et al. .... D14/138 G

(Continued)

**OTHER PUBLICATIONS**

Kyocera Brigadier telephone, announced Jul. 2014, [online], [site visited Sep. 25, 2014]. Available from Internet, <URL: [http://www.gsmarena.com/kyocera\\_brigadier-6602.php](http://www.gsmarena.com/kyocera_brigadier-6602.php)>.\*

(Continued)

*Primary Examiner* — Jeffrey D Asch

(74) *Attorney, Agent, or Firm* — Studebaker & Brackett PC

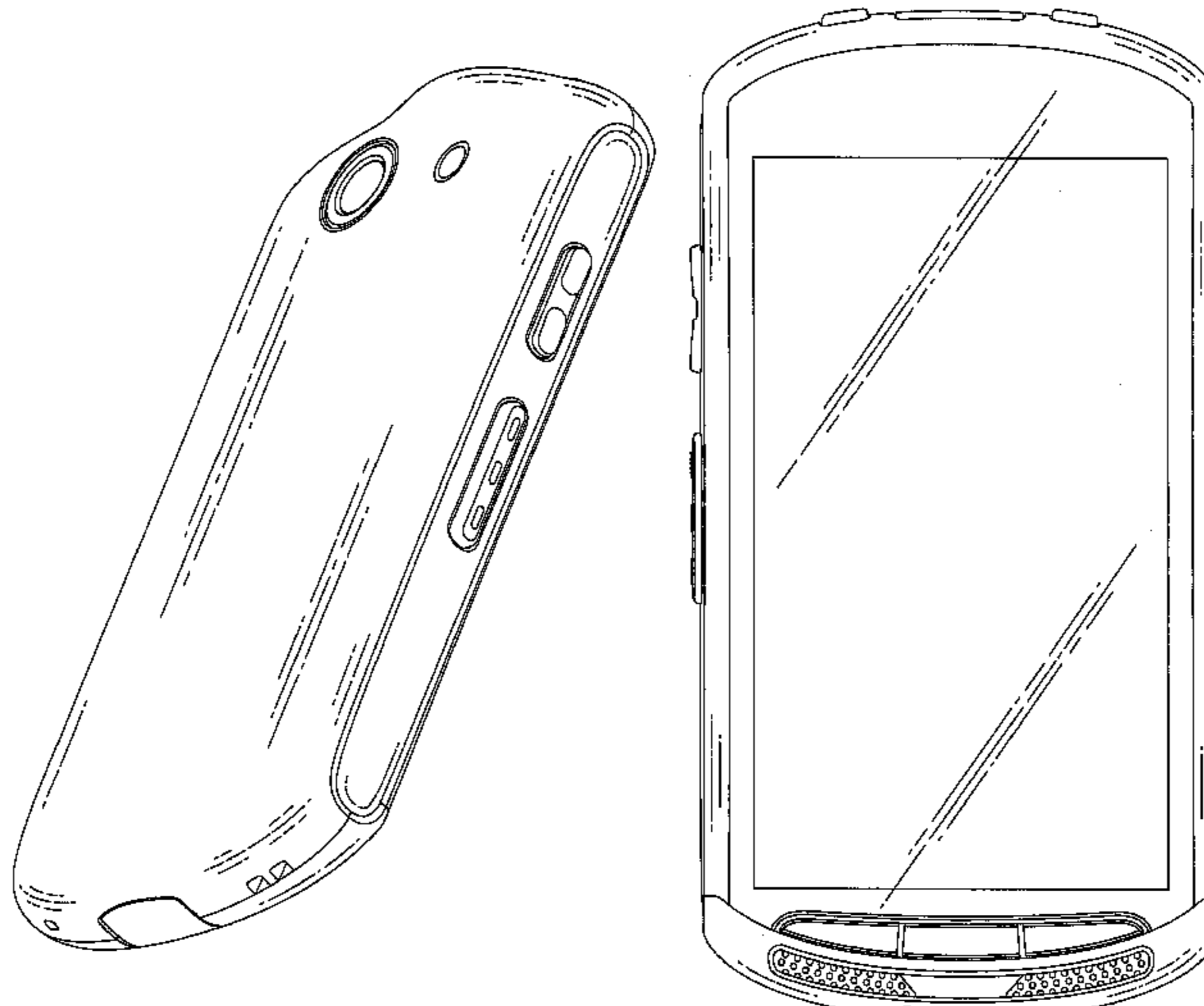
(57) **CLAIM**

The ornamental design for portable terminal, as shown and described.

**DESCRIPTION**

FIG. 1 is a front perspective view of a portable terminal showing my new design;  
FIG. 2 is a rear perspective view thereof;  
FIG. 3 is a front view thereof;  
FIG. 4 is a rear view thereof;  
FIG. 5 is a left side view thereof;  
FIG. 6 is a right side view thereof;  
FIG. 7 is a top plan view thereof; and,  
FIG. 8 is a bottom view thereof.

**1 Claim, 6 Drawing Sheets**



(56)

**References Cited**

U.S. PATENT DOCUMENTS

D687,804 S \* 8/2013 Park ..... D14/138 G  
 D687,806 S \* 8/2013 Hachiya ..... D14/138 G  
 D700,162 S \* 2/2014 Takahashi ..... D14/138 G

OTHER PUBLICATIONS

Kyocera Torque E6710 telephone, announced Jan. 2013, [online], [site visited Sep. 25, 2014]. Available from Internet, <URL: [http://www.gsmarena.com/kyocera\\_torque\\_e6710-5270.php](http://www.gsmarena.com/kyocera_torque_e6710-5270.php)>.\*  
 Samsung S7710 Galaxy Xcover 2 telephone, announced Jan. 2013, [online], [site visited Sep. 25, 2014]. Available from Internet, <URL: [http://www.gsmarena.com/samsung\\_s7710\\_galaxy\\_xcover\\_2-5263.php](http://www.gsmarena.com/samsung_s7710_galaxy_xcover_2-5263.php)>.\*  
 Kyocera Hydro C5170 telephone, announced May 2012, [online], [site visited Sep. 25, 2014]. Available from Internet, <URL: [http://www.gsmarena.com/kyocera\\_hydro\\_c5170-4748.php](http://www.gsmarena.com/kyocera_hydro_c5170-4748.php)>.\*  
 Sony Xperia neo L telephone, announced Mar. 2012, [online], [site visited Sep. 25, 2014]. Available from Internet, <URL: [http://www.gsmarena.com/sony\\_xperia\\_neo\\_l-4647.php](http://www.gsmarena.com/sony_xperia_neo_l-4647.php)>.\*  
 Casio G'zOne CA-201L telephone, announced Mar. 2013, [online], [site visited Sep. 25, 2014]. Available from Internet, <URL: [http://www.gsmarena.com/casio\\_g\\_zone\\_ca\\_201l-5384.php](http://www.gsmarena.com/casio_g_zone_ca_201l-5384.php)>.\*

LG US760 Genesis telephone, announced May 2011, [online], [site visited Sep. 25, 2014]. Available from Internet, <URL: [http://www.gsmarena.com/lg\\_us760\\_genesis-4033.php](http://www.gsmarena.com/lg_us760_genesis-4033.php)>.\*  
 Sony Ericsson Xperia Arc S telephone, announced Aug. 2011, [online], [site visited Sep. 25, 2014]. Available from Internet, <URL: [http://www.gsmarena.com/sony\\_ericsson\\_xperia\\_arc\\_s-4134.php](http://www.gsmarena.com/sony_ericsson_xperia_arc_s-4134.php)>.\*  
 Samsung.com website page showing Galaxy Rugby Pro Retrieved on May 5, 2014 from URL <http://www.samsung.com/us/mobile/cell-phones/SGH-I547ZKAATT>.  
 Boeboer.com website page showing Galaxy Rugby Smart Retrieved on May 5, 2014 from URL <http://www.boeboer.com/samsung-rugby-smart-user-manual-sgh-i847-owners-guide-att/>.  
 Casiogzone.com website page showing G'zOne Commando Retrieved on May 5, 2014 from URL <http://www.casiogzone.com/us/commando/>.  
 Casio.co.jp website page showing G'zOne Commando 4G LTE Retrieved on May 5, 2014 from URL [http://www.casio.co.jp/release/2013/0626\\_GzOneCommando/](http://www.casio.co.jp/release/2013/0626_GzOneCommando/).  
 K-tai.casio.jp website page showing G'zOne IS11CA Retrieved on May 5, 2014 from URL <http://k-tai.casio.jp/products/is11ca/>.

\* cited by examiner

FIG. 1

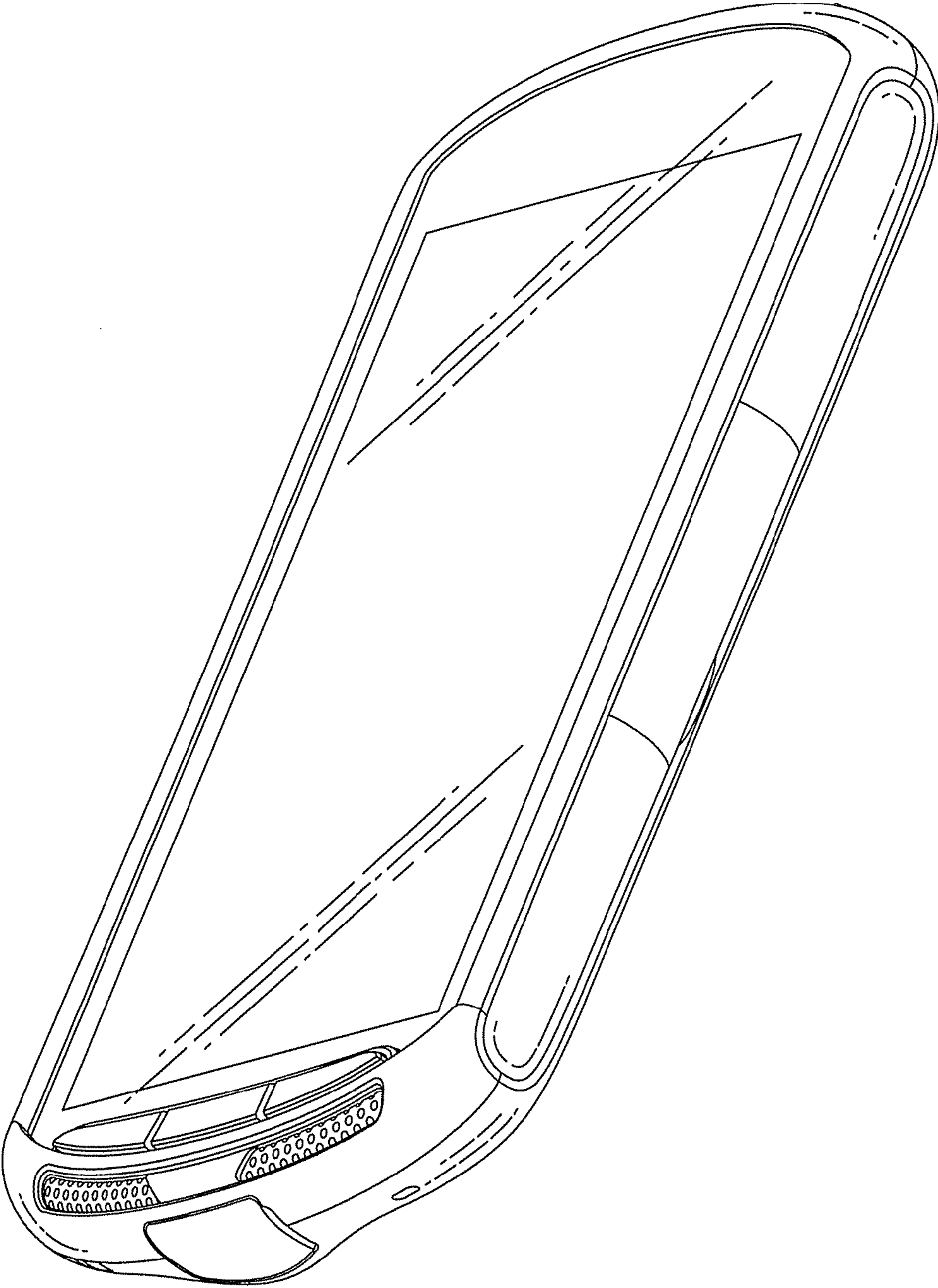


FIG.2

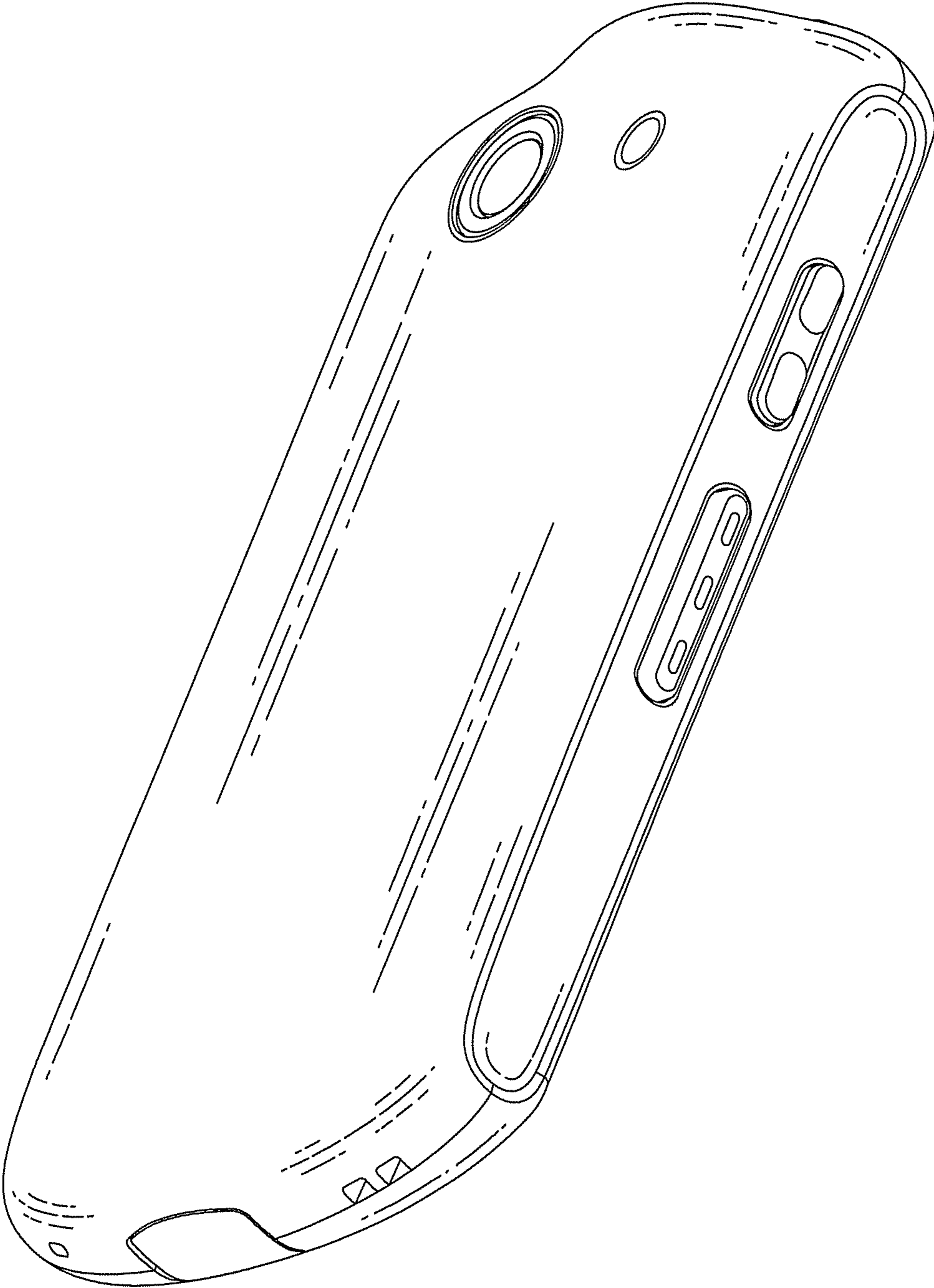


FIG.3

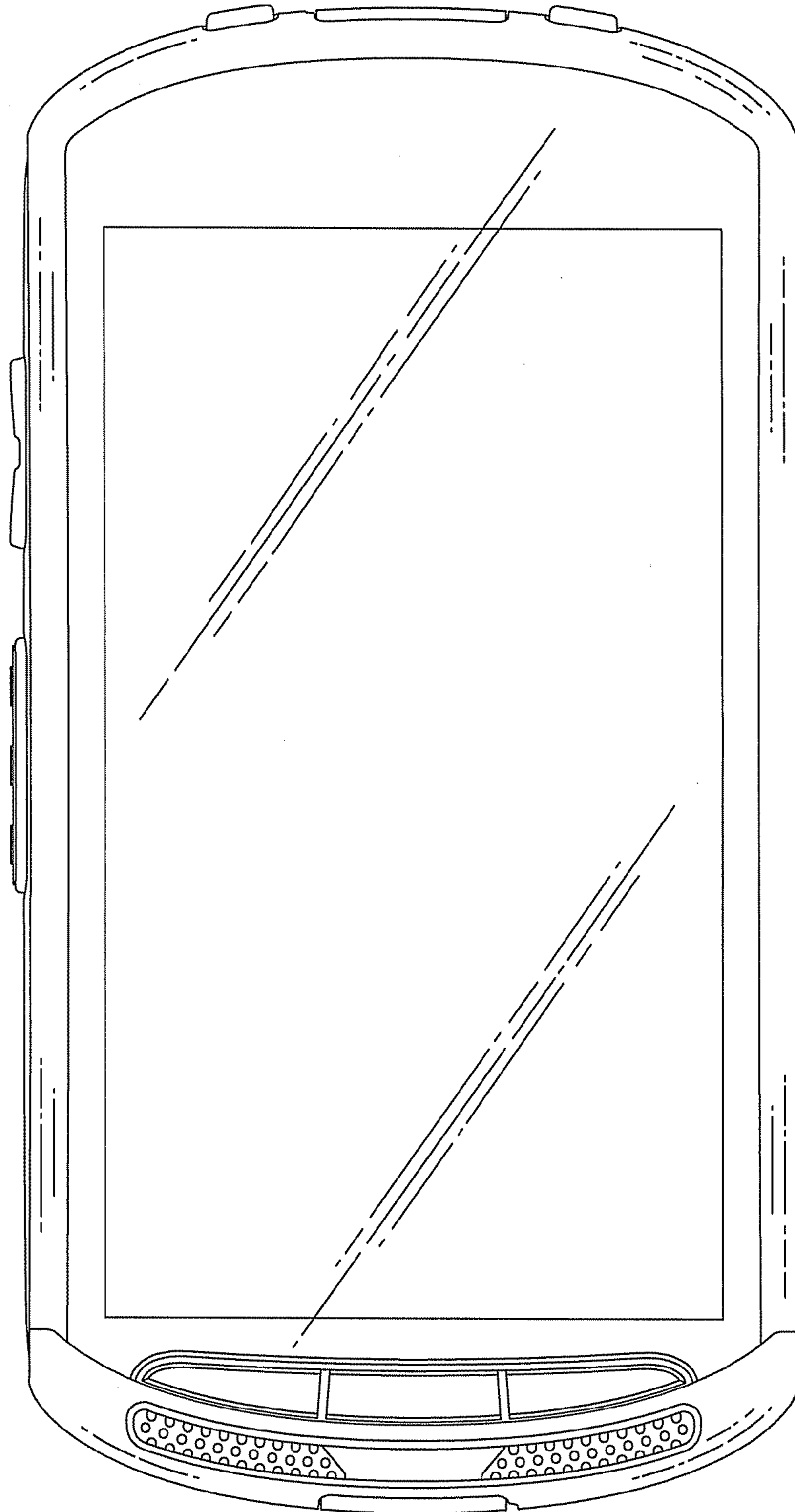


FIG.4

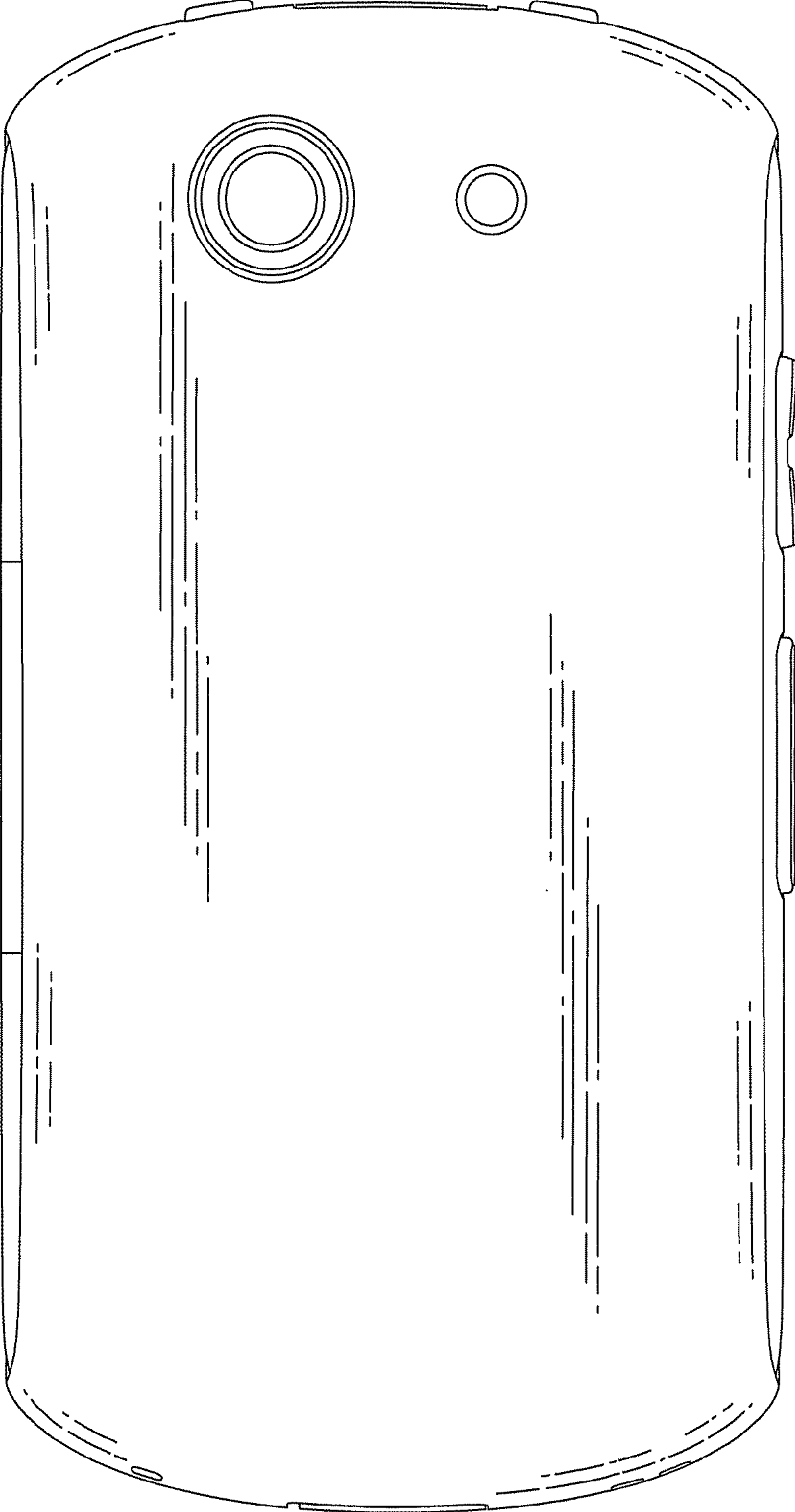


FIG.5

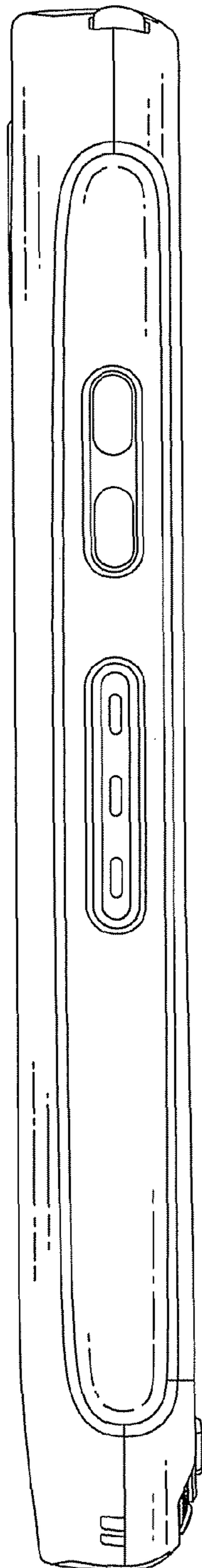


FIG.6

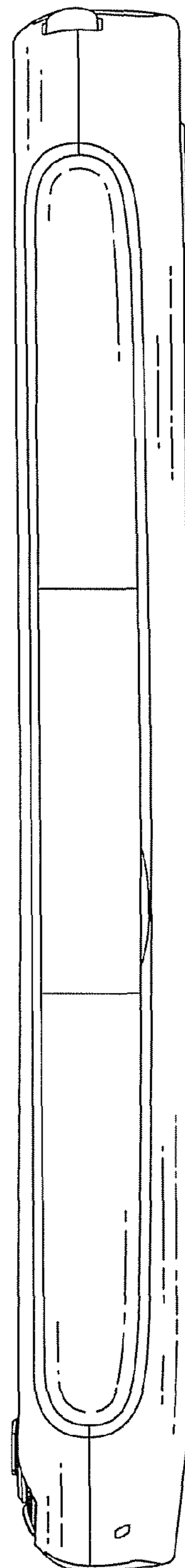


FIG.7

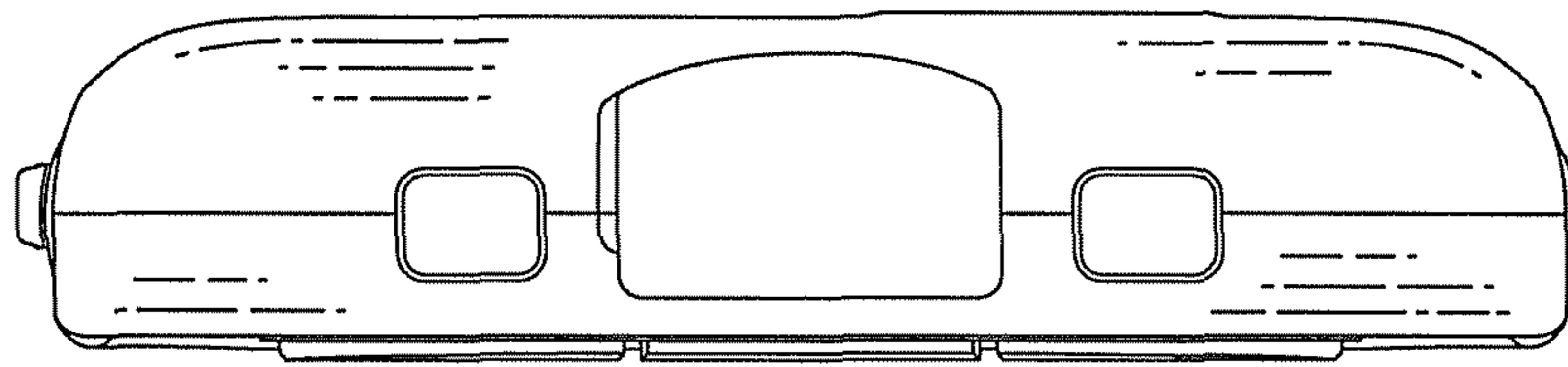


FIG.8

