



US00D723499S

(12) **United States Design Patent**  
**Nishikawa**

(10) **Patent No.:** **US D723,499 S**  
(45) **Date of Patent:** **\*\* Mar. 3, 2015**

(54) **PORTABLE TERMINAL**

(71) Applicant: **KYOCERA Corporation**, Kyoto-shi,  
Kyoto (JP)

(72) Inventor: **Tadamichi Nishikawa**, Osaka (JP)

(73) Assignee: **KYOCERA Corporation**, Kyoto (JP)

(\*\*) Term: **14 Years**

(21) Appl. No.: **29/478,541**

(22) Filed: **Jan. 6, 2014**

(30) **Foreign Application Priority Data**

Nov. 22, 2013 (JP) ..... 2013-027386

(51) **LOC (10) Cl.** ..... **14-03**

(52) **U.S. Cl.**  
USPC ..... **D14/138 G**

(58) **Field of Classification Search**

CPC ..... H04M 1/02; H04M 1/0202-1/035;  
H04M 1/0235; H04M 1/0237; H04M 1/0239;  
H04M 2250/22; H04M 1/03; H04M 1/23;  
H04M 1/72519; G06F 1/1626  
USPC ..... D14/138 G, 138 AD, 138 R, 496, 203.1,  
D14/203.3, 203.5, 203.7, 248, 218, 341,  
D14/138 AC; 455/575.1, 556.1, 556.2,  
455/575.3, 575.4, 566; D21/517, 329, 331;  
379/433.01, 433.04; D13/168;  
361/679.3, 679.56; D10/65, 78  
See application file for complete search history.

(56) **References Cited**

**U.S. PATENT DOCUMENTS**

D461,175 S \* 8/2002 Yokota ..... D14/144  
D603,356 S \* 11/2009 Sterzick et al. .... D14/138 G  
D611,924 S \* 3/2010 Ou et al. .... D14/138 AD  
D616,855 S \* 6/2010 Song et al. .... D14/138 AD  
D618,200 S \* 6/2010 Kim et al. .... D14/138 AD  
D619,989 S \* 7/2010 Huang ..... D14/138 G

D624,046 S \* 9/2010 Lee et al. .... D14/138 G  
D631,464 S \* 1/2011 Kim ..... D14/138 G  
D636,368 S \* 4/2011 Kim ..... D14/138 AD  
D640,221 S \* 6/2011 Lee et al. .... D14/138 AD  
D640,224 S \* 6/2011 Sadatsuki ..... D14/138 AD  
D643,006 S \* 8/2011 Han et al. .... D14/138 G  
D646,254 S \* 10/2011 Kim et al. .... D14/138 G  
D647,573 S \* 10/2011 Nomiya et al. .... D21/329  
D649,131 S \* 11/2011 Jyonoshita ..... D14/138 AD  
D654,462 S \* 2/2012 Nara et al. .... D14/138 G  
D659,667 S \* 5/2012 Jung et al. .... D14/138 AD  
D677,231 S \* 3/2013 Behling ..... D14/138 G  
D678,232 S \* 3/2013 Harmon et al. .... D14/138 G  
D680,984 S \* 4/2013 Harmon et al. .... D14/138 G  
D680,990 S \* 4/2013 Hashimoto et al. .... D14/138 G  
D685,754 S \* 7/2013 Palmer et al. .... D14/138 G

(Continued)

**OTHER PUBLICATIONS**

Kyocera Brigadier telephone, announced Jul. 2014, [online], [site visited Sep. 25, 2014]. Available from Internet, <URL: [http://www.gsmarena.com/kyocera\\_brigadier-6602.php](http://www.gsmarena.com/kyocera_brigadier-6602.php)>.\*

(Continued)

*Primary Examiner* — Jeffrey D Asch

(74) *Attorney, Agent, or Firm* — Studebaker & Brackett PC

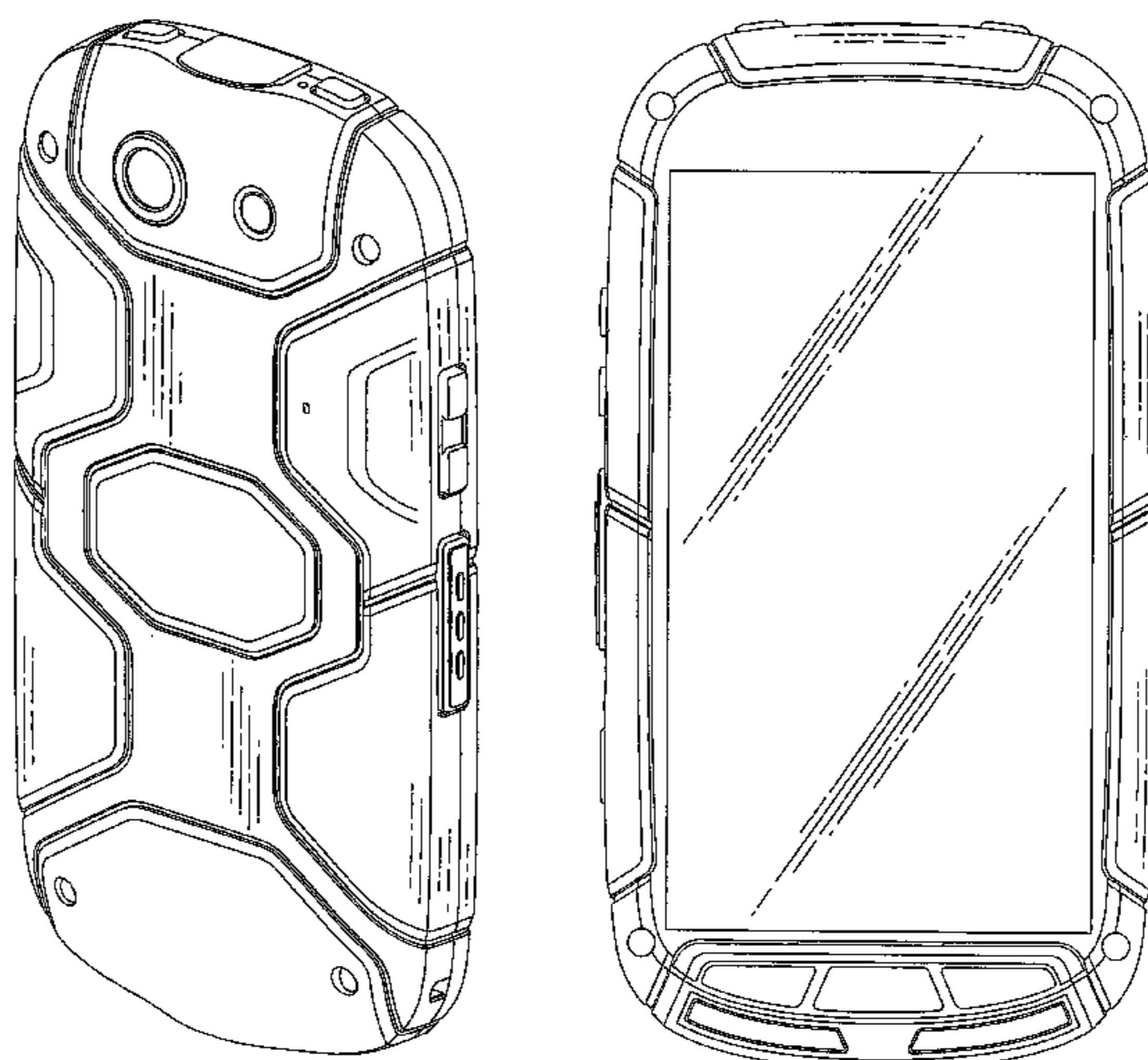
(57) **CLAIM**

The ornamental design for portable terminal, as shown and described.

**DESCRIPTION**

FIG. 1 is a front perspective view of a portable terminal showing my new design;  
FIG. 2 is a rear perspective view thereof;  
FIG. 3 is a front view thereof;  
FIG. 4 is a rear view thereof;  
FIG. 5 is a left side view thereof;  
FIG. 6 is a right side view thereof.  
FIG. 7 is a top plan view thereof; and,  
FIG. 8 is a bottom view thereof.

**1 Claim, 6 Drawing Sheets**



(56)

**References Cited**

U.S. PATENT DOCUMENTS

D687,004	S	*	7/2013	Behling	.....	D14/138	G
D687,804	S	*	8/2013	Park	.....	D14/138	G
D687,806	S	*	8/2013	Hachiya	.....	D14/138	G
D688,219	S	*	8/2013	Ikezu et al.	.....	D14/138	G
D688,643	S	*	8/2013	Park	.....	D14/138	G
2013/0040718	A1	*	2/2013	Sparks et al.	.....	463/16	

OTHER PUBLICATIONS

Kyocera Torque E6710 telephone, announced Jan. 2013, [online], [site visited Sep. 25, 2014]. Available from Internet, <URL: [http://www.gsmarena.com/kyocera\\_torque\\_e6710-5270.php](http://www.gsmarena.com/kyocera_torque_e6710-5270.php)>.\*

Samsung S7710 Galaxy Xcover 2 telephone, announced Jan. 2013, [online], [site visited Sep. 25, 2014]. Available from Internet, <URL: [http://www.gsmarena.com/samsung\\_s7710\\_galaxy\\_xcover\\_2-5263.php](http://www.gsmarena.com/samsung_s7710_galaxy_xcover_2-5263.php)>.\*

Icemobile Gravity Pro telephone, announced 2013, [online], [site visited Sep. 25, 2014]. Available from Internet, <URL: [http://www.gsmarena.com/icemobile\\_gravity\\_pro-5874.php](http://www.gsmarena.com/icemobile_gravity_pro-5874.php)>.\*

LG US760 Genesis telephone, announced May 2011, [online], [site visited Sep. 25, 2014]. Available from Internet, <URL: [http://www.gsmarena.com/lg\\_us760\\_genesis-4033.php](http://www.gsmarena.com/lg_us760_genesis-4033.php)>.\*

Casio G'zOne CA-201L telephone, announced Mar. 2013, [online], [site visited Sep. 25, 2014]. Available from Internet, <URL: [http://www.gsmarena.com/casio\\_g\\_zone\\_ca\\_2011-5384.php](http://www.gsmarena.com/casio_g_zone_ca_2011-5384.php)>.\*

Plum Gator telephone, announced May 2014, [online], [site visited Sep. 25, 2014]. Available from Internet, <URL: [http://www.gsmarena.com/plum\\_gator-6496.php](http://www.gsmarena.com/plum_gator-6496.php)>.\*

Verykool RS75 telephone, announced 2013, [online], [site visited Sep. 25, 2014]. Available from Internet, <URL: [http://www.gsmarena.com/verykool\\_rs75-5454.php](http://www.gsmarena.com/verykool_rs75-5454.php)>.\*

Caterpillar CAT B10 Posted Mar. 9, 2012 [http://www.phonearena.com/news/Caterpillar-CAT-B10-is-a-tough-Android-smartphone-with-IP67-certification\\_id27890](http://www.phonearena.com/news/Caterpillar-CAT-B10-is-a-tough-Android-smartphone-with-IP67-certification_id27890).

\* cited by examiner

FIG. 1

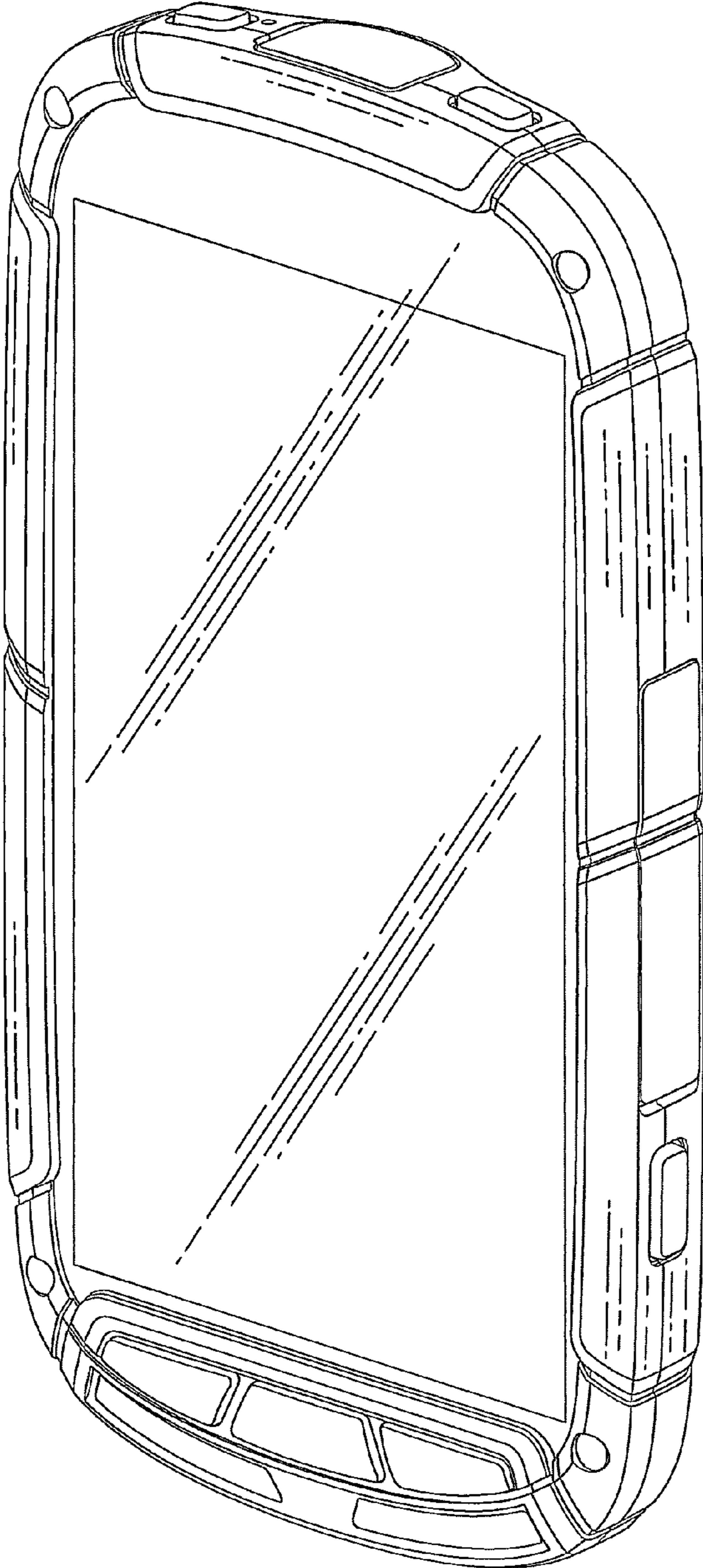


FIG.2

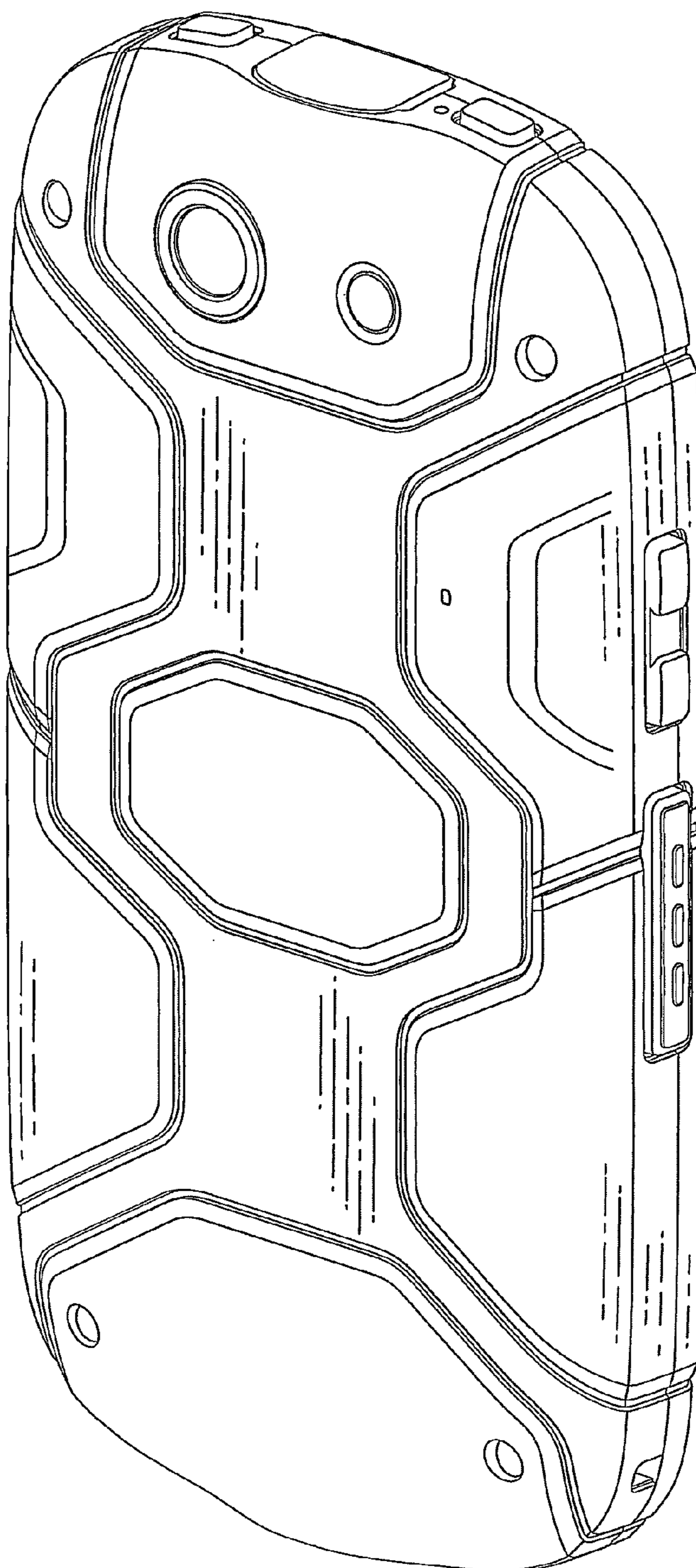


FIG.3

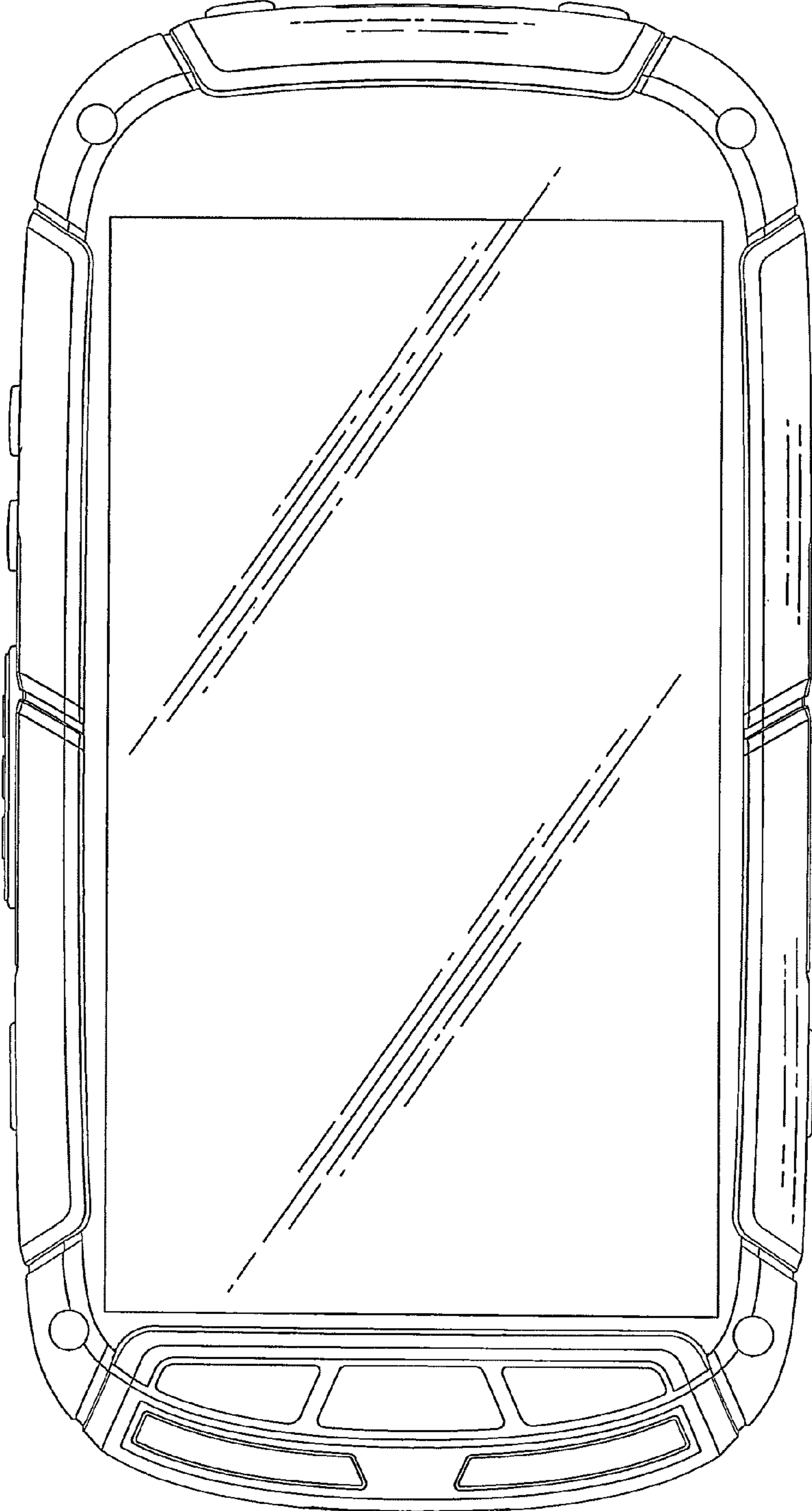


FIG.4

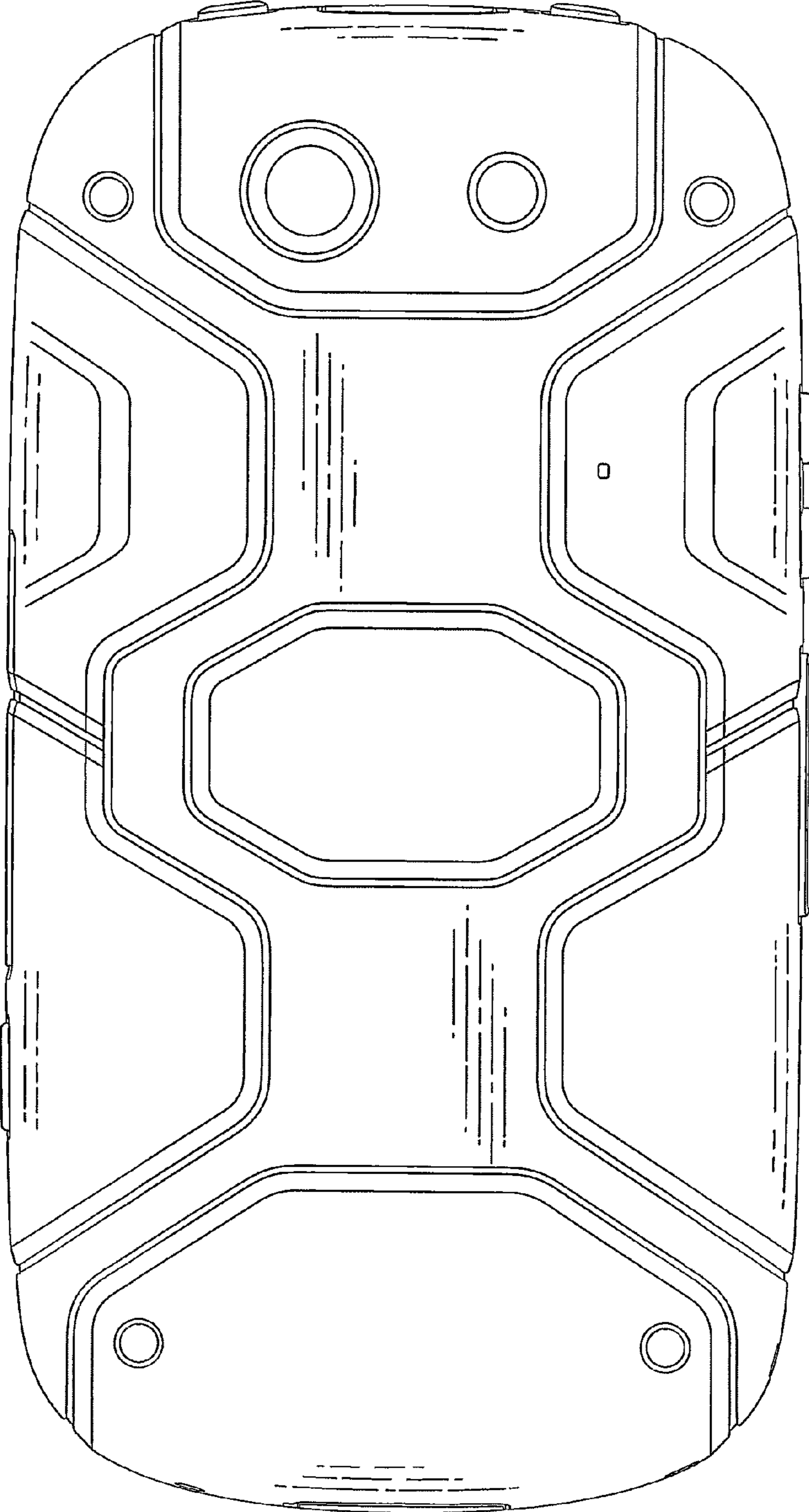


FIG.5

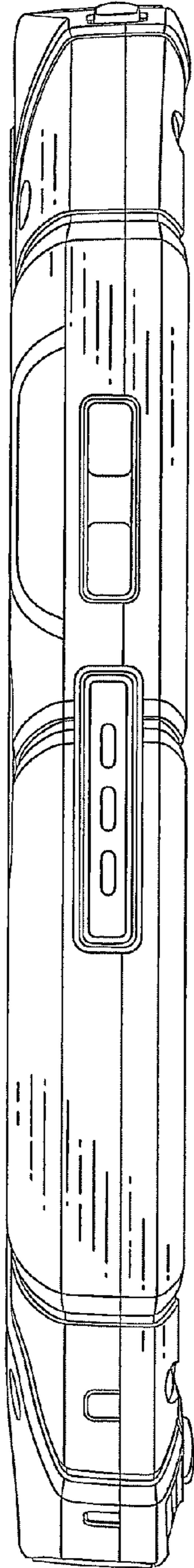


FIG.6

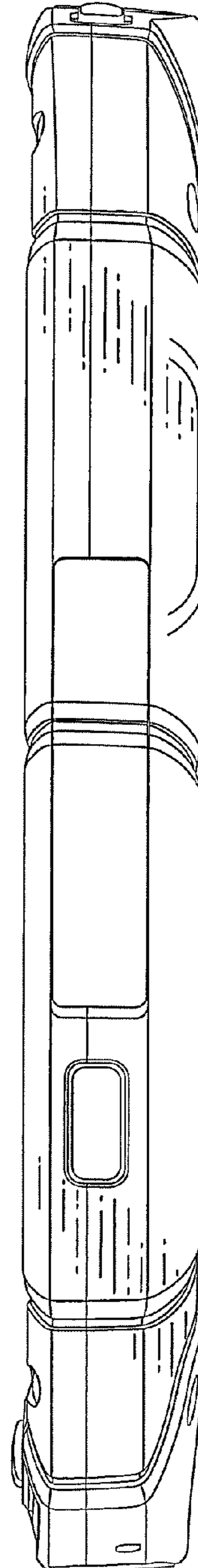


FIG.7

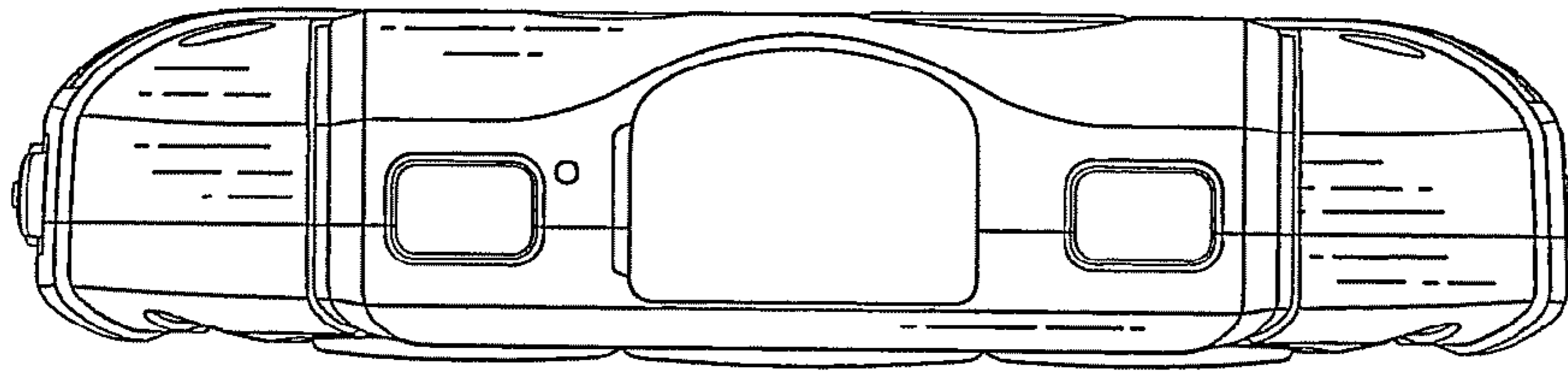


FIG.8

