



US00D723495S

(12) **United States Design Patent**
Jeong

(10) **Patent No.:** **US D723,495 S**
(45) **Date of Patent:** **** Mar. 3, 2015**

(54) **MOBILE TERMINAL**

(71) Applicant: **Samsung Electronics Co., Ltd.**,
Suwon-si (KR)

(72) Inventor: **Jong-Il Jeong**, Seoul (KR)

(73) Assignee: **Samsung Electronics Co., Ltd.**,
Suwon-si (KR)

(**) Term: **14 Years**

(21) Appl. No.: **29/464,859**

(22) Filed: **Aug. 21, 2013**

(30) **Foreign Application Priority Data**

Feb. 23, 2013 (KR) 30-2013-0009480

(51) **LOC (10) Cl.** **14-03**

(52) **U.S. Cl.**
USPC **D14/138 G**

(58) **Field of Classification Search**
CPC H04M 1/02; H04M 1/0202-1/035;
H04M 1/0235; H04M 1/0237; H04M 1/0239;
H04M 2250/22; H04M 1/03; H04M 1/23;
H04M 1/72519; G06F 1/1626
USPC D14/138 G, 138 AD, 138 R, 496, 203.1,
D14/203.3, 203.5, 203.7, 248, 218, 341,
D14/138 AC; 455/575.1, 556.1, 556.2,
455/575.3, 575.4, 566; D21/517, 329, 331;
379/433.01, 433.04; D13/168;
361/679.3, 679.56; D10/65, 78
See application file for complete search history.

(56) **References Cited**

U.S. PATENT DOCUMENTS

- D581,894 S * 12/2008 Kim D14/138 G
- D611,924 S * 3/2010 Ou et al. D14/138 AD
- D635,541 S * 4/2011 Park et al. D14/138 G
- D637,992 S * 5/2011 Tom et al. D14/138 G
- D650,350 S * 12/2011 Wong D14/138 G
- D650,766 S * 12/2011 Hong D14/138 G

(Continued)

OTHER PUBLICATIONS

Samsung I9295 Galaxy S4 Active telephone, announced Jun. 2013, [online], [site visited Sep. 25, 2014]. Available from Internet, <URL: http://www.gsmarena.com/samsung_i9295_galaxy_s4_active-5446.php>.*

(Continued)

Primary Examiner — Jeffrey D Asch

(74) *Attorney, Agent, or Firm* — NSIP Law

(57) **CLAIM**

The ornamental design for a mobile terminal, as shown and described.

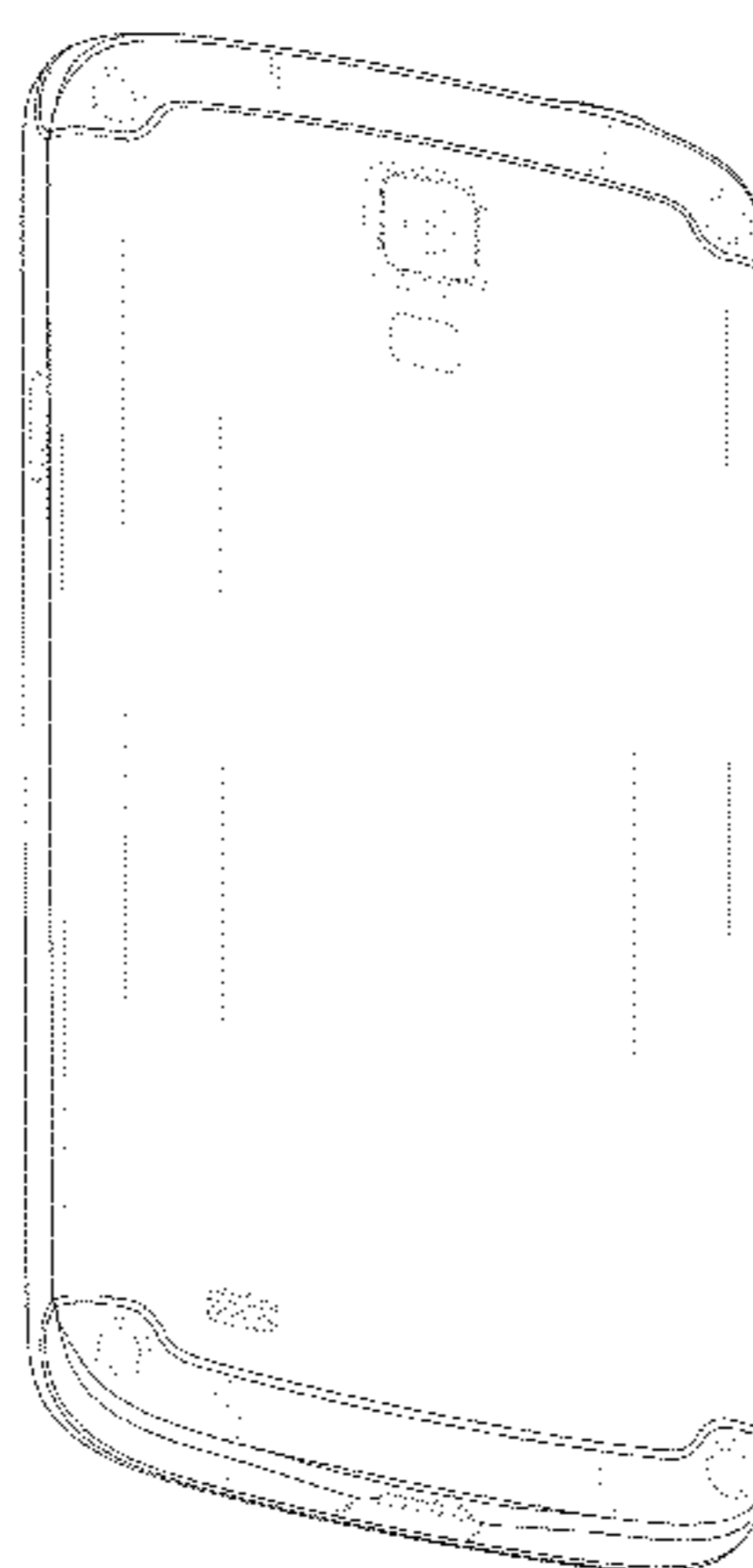
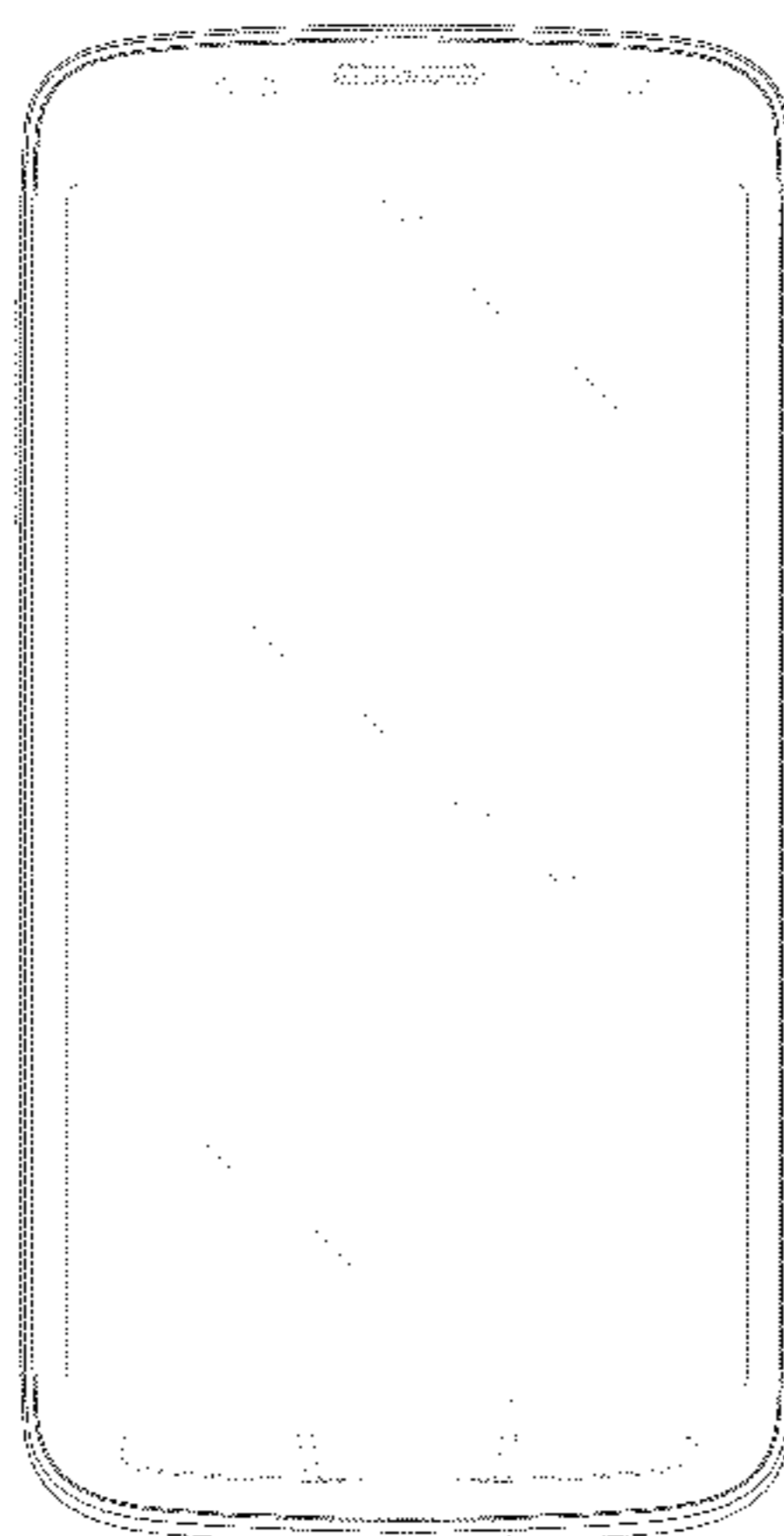
DESCRIPTION

FIG. 1 is a front perspective view of a mobile terminal showing my new design;
FIG. 2 is a front view thereof;
FIG. 3 is a rear view thereof;
FIG. 4 is a left-side view thereof;
FIG. 5 is a right-side view thereof;
FIG. 6 is a top view thereof;
FIG. 7 is a bottom view thereof;
FIG. 8 is a rear perspective view thereof;
FIG. 9 is an enlarged view of the encircled portion A in FIG. 1; and,
FIG. 10 is an enlarged view of the encircled portion B in FIG. 7.

The broken lines shown in the figures that are immediately adjacent to the shaded areas and define unshaded regions, represent the bounds of the claim, while all other broken lines, including the five tiny circles at the top front near the speaker opening are directed to environment; the broken lines form no part of the claimed design.

The dot-dash broken lines encircling portions of the claimed design that are illustrated in enlargements form no part of the claimed design.

1 Claim, 8 Drawing Sheets



(56)

References Cited

U.S. PATENT DOCUMENTS

D651,186	S	*	12/2011	Park et al.	D14/138	G
D651,187	S	*	12/2011	Hwang	D14/138	G
D652,404	S	*	1/2012	Okada et al.	D14/138	G
D656,917	S	*	4/2012	Tom et al.	D14/138	G
D663,279	S	*	7/2012	Kim et al.	D14/138	G
D668,627	S	*	10/2012	Chung	D14/138	G
D671,086	S	*	11/2012	Yu et al.	D14/138	G
D676,009	S	*	2/2013	Hirota	D14/138	AD
D676,011	S	*	2/2013	Park et al.	D14/138	G
D677,642	S	*	3/2013	Park	D14/138	G
D677,643	S	*	3/2013	Park	D14/138	G
D680,984	S	*	4/2013	Harmon et al.	D14/138	G
D681,580	S	*	5/2013	Park	D14/138	G
D686,180	S	*	7/2013	Kim et al.	D14/138	G
D687,002	S	*	7/2013	Song et al.	D14/138	G
D687,793	S	*	8/2013	Park	D14/138	G
D688,643	S	*	8/2013	Park	D14/138	G
D695,255	S	*	12/2013	Kim	D14/138	G
D696,220	S	*	12/2013	Seo et al.	D14/138	G
D699,206	S	*	2/2014	Kim	D14/138	G
D702,219	S	*	4/2014	Suk	D14/248	
D705,187	S	*	5/2014	Hwang et al.	D14/138	G
D711,339	S	*	8/2014	Yang	D14/138	G
D712,864	S	*	9/2014	Hirota	D14/138	G
2013/0036377	A1	*	2/2013	Colley	715/764	
2013/0303241	A1	*	11/2013	Coker et al.	455/566	

OTHER PUBLICATIONS

Samsung Galaxy S5 Active telephone, announced May 2014, [online], [site visited Sep. 25, 2014]. Available from Internet, <URL: http://www.gsmarena.com/samsung_galaxy_s5_active-6356.php>.*

Samsung Galaxy Core Advance telephone, announced Dec. 2013, [online], [site visited Sep. 25, 2014]. Available from Internet, <URL: http://www.gsmarena.com/samsung_galaxy_core_advance-5904.php>.*

Samsung Galaxy S4 Active LTE-A telephone, announced Dec. 2013, [online], [site visited Sep. 25, 2014]. Available from Internet, <URL: http://www.gsmarena.com/samsung_galaxy_s4_active_lte_a-5889.php>.*

Samsung Galaxy S5 Sport telephone, announced Jun. 2014, [online], [site visited Sep. 25, 2014]. Available from Internet, <URL: http://www.gsmarena.com/samsung_galaxy_s5_sport-6460.php>.*

ZTE Bingo telephone, announced Feb. 2010, [online], [site visited Sep. 25, 2014]. Available from Internet, <URL: http://www.gsmarena.com/zte_bingo-3197.php>.*

Kyocera Hydro Life telephone, announced Aug. 2014, [online], [site visited Sep. 25, 2014]. Available from Internet, <URL: http://www.gsmarena.com/kyocera_hydro_life-6598.php>.*

Samsung S8600 Wave 3 telephone, announced Aug. 2011, [online], [site visited Sep. 25, 2014]. Available from Internet, <URL: http://www.gsmarena.com/samsung_s8600_wave_3-4126.php>.*

* cited by examiner

FIG. 1

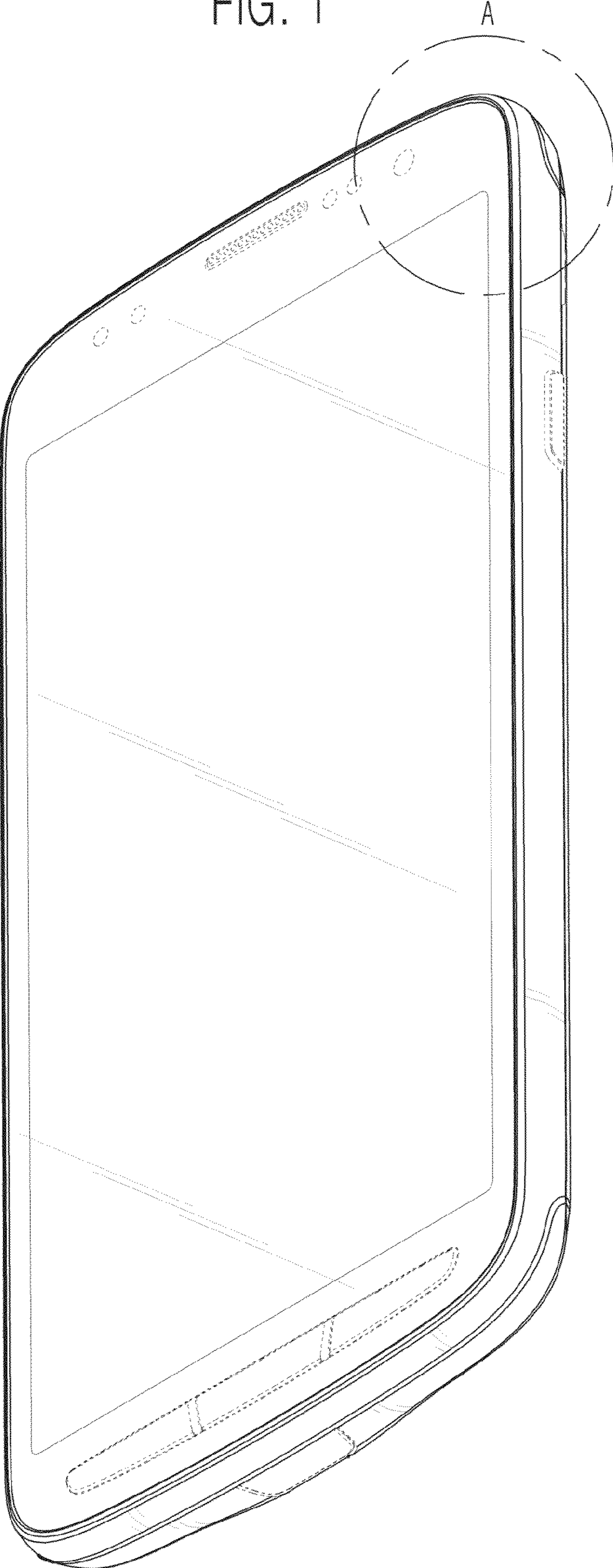


FIG. 2

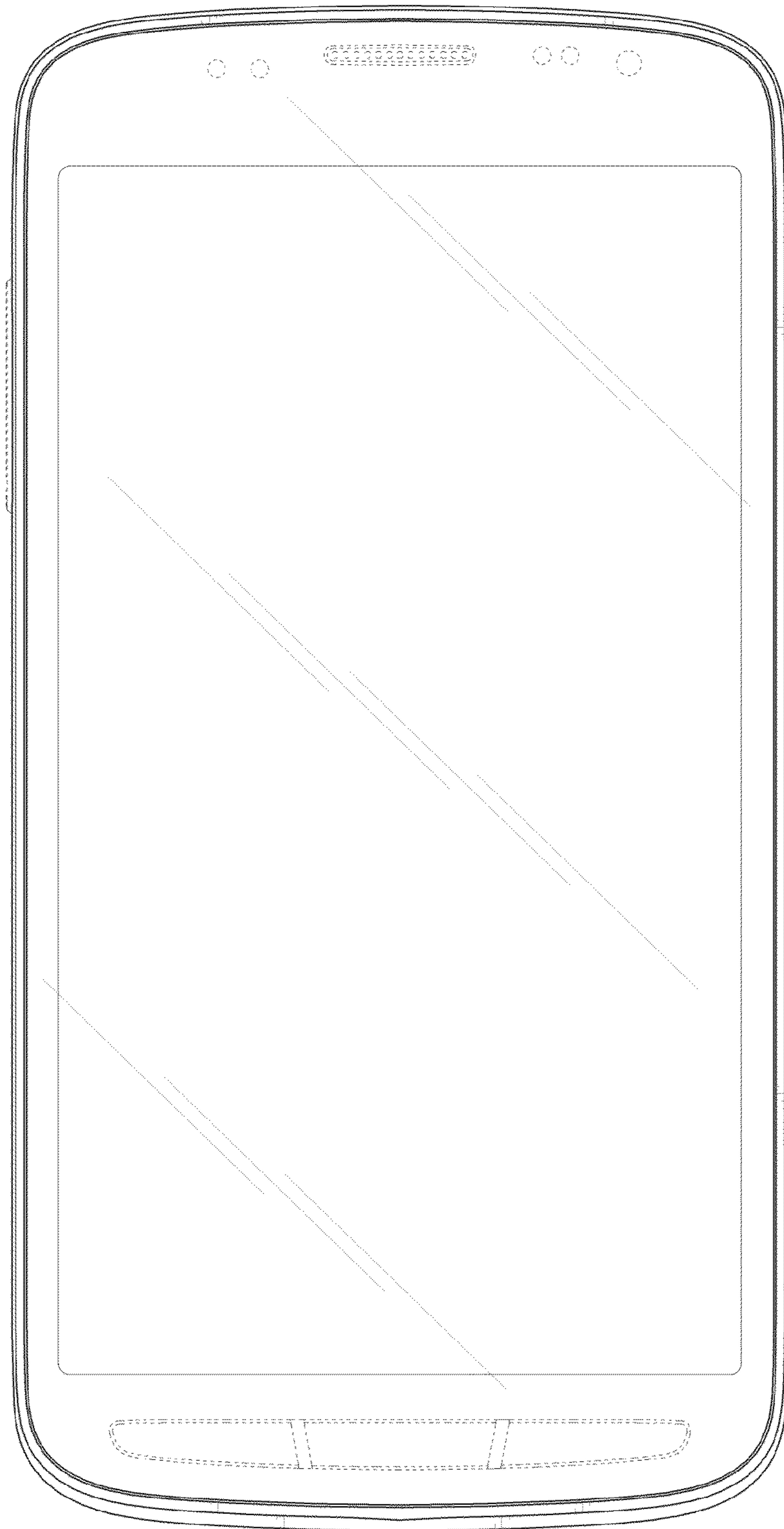


FIG. 3

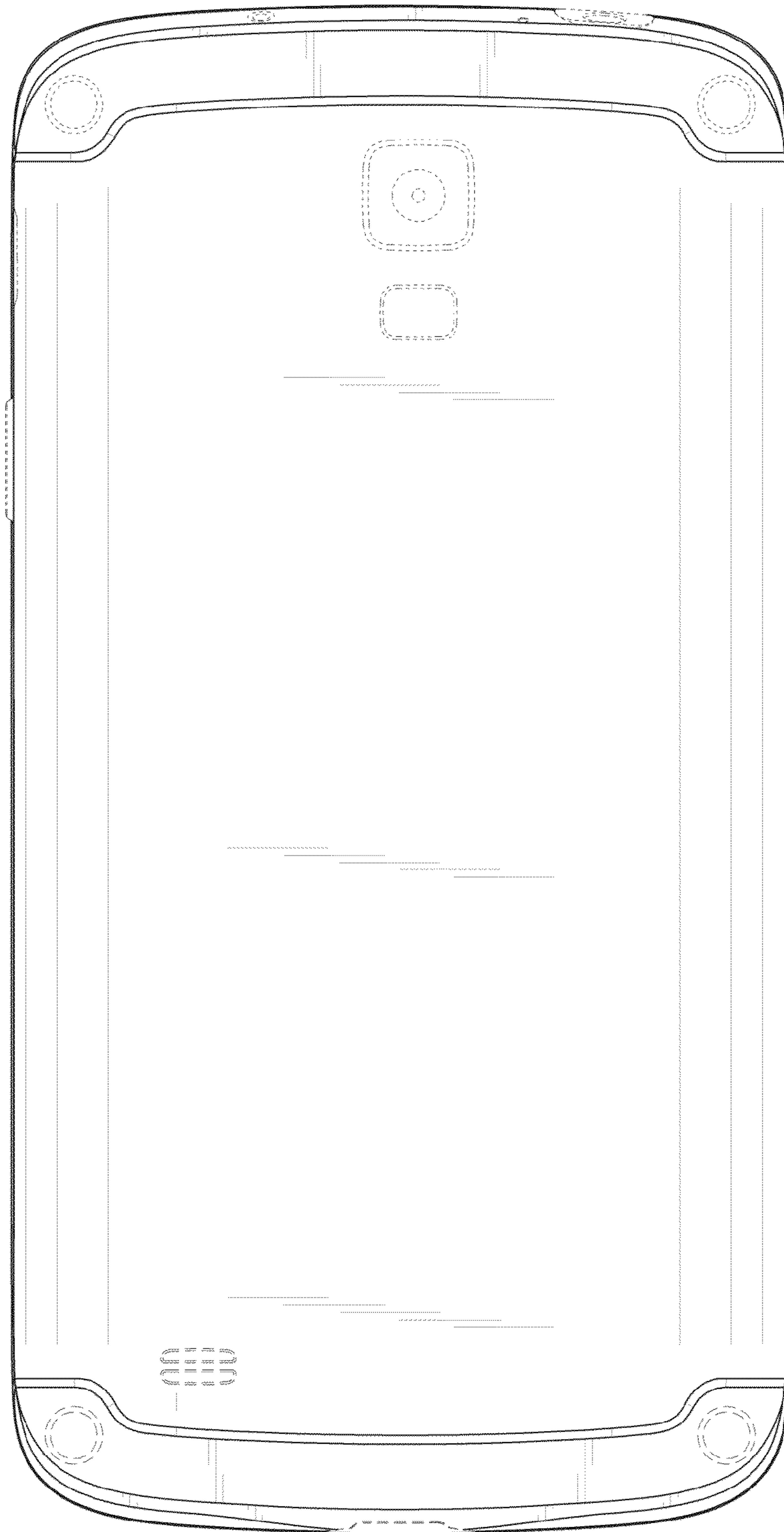


FIG. 4

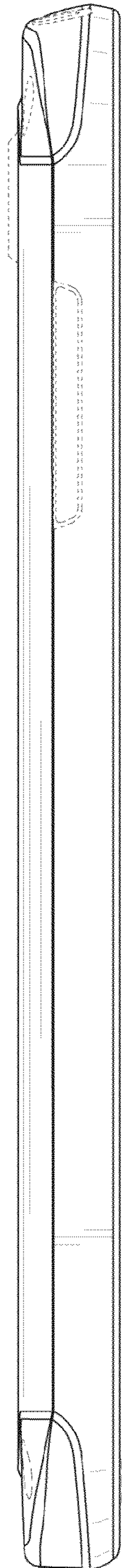


FIG. 5

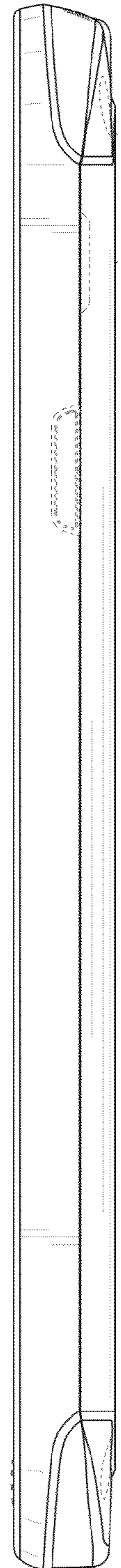


FIG. 6

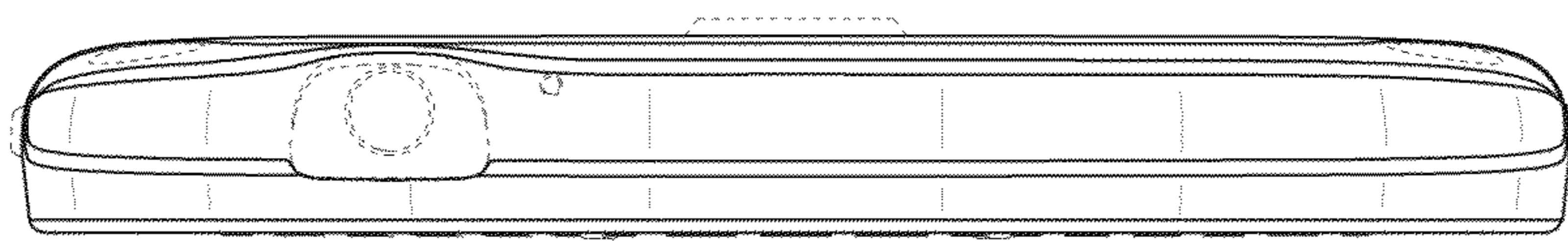


FIG. 7

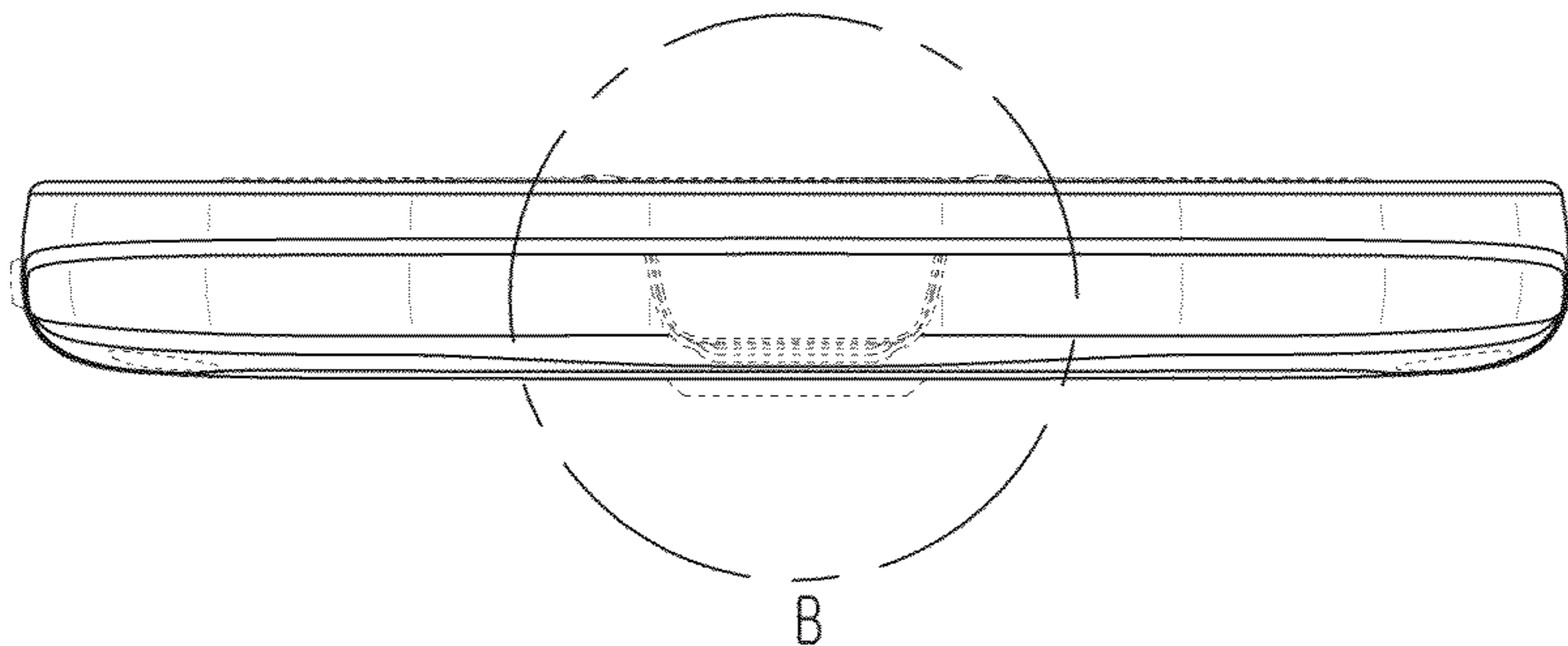


FIG. 8

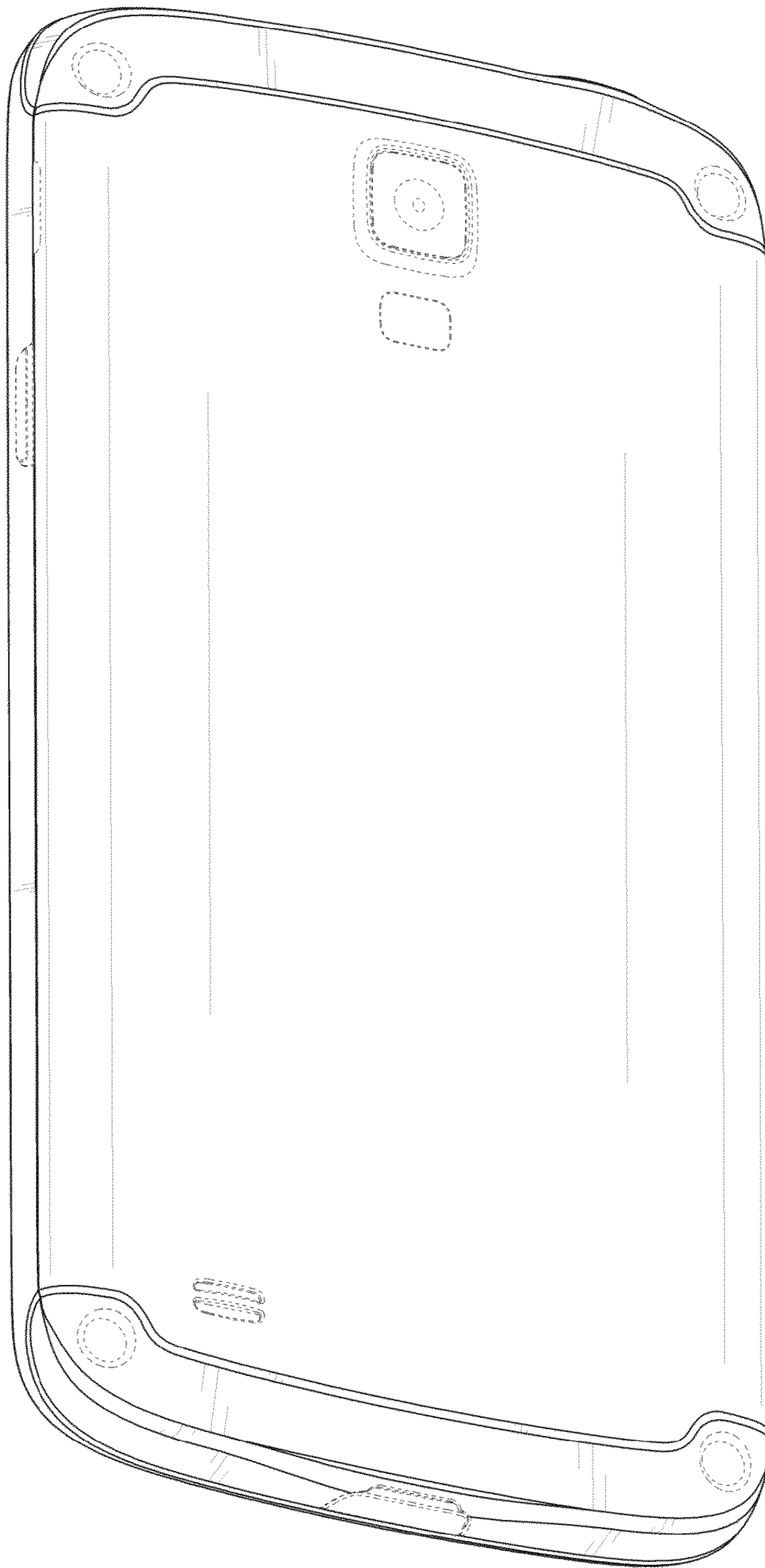


FIG. 9

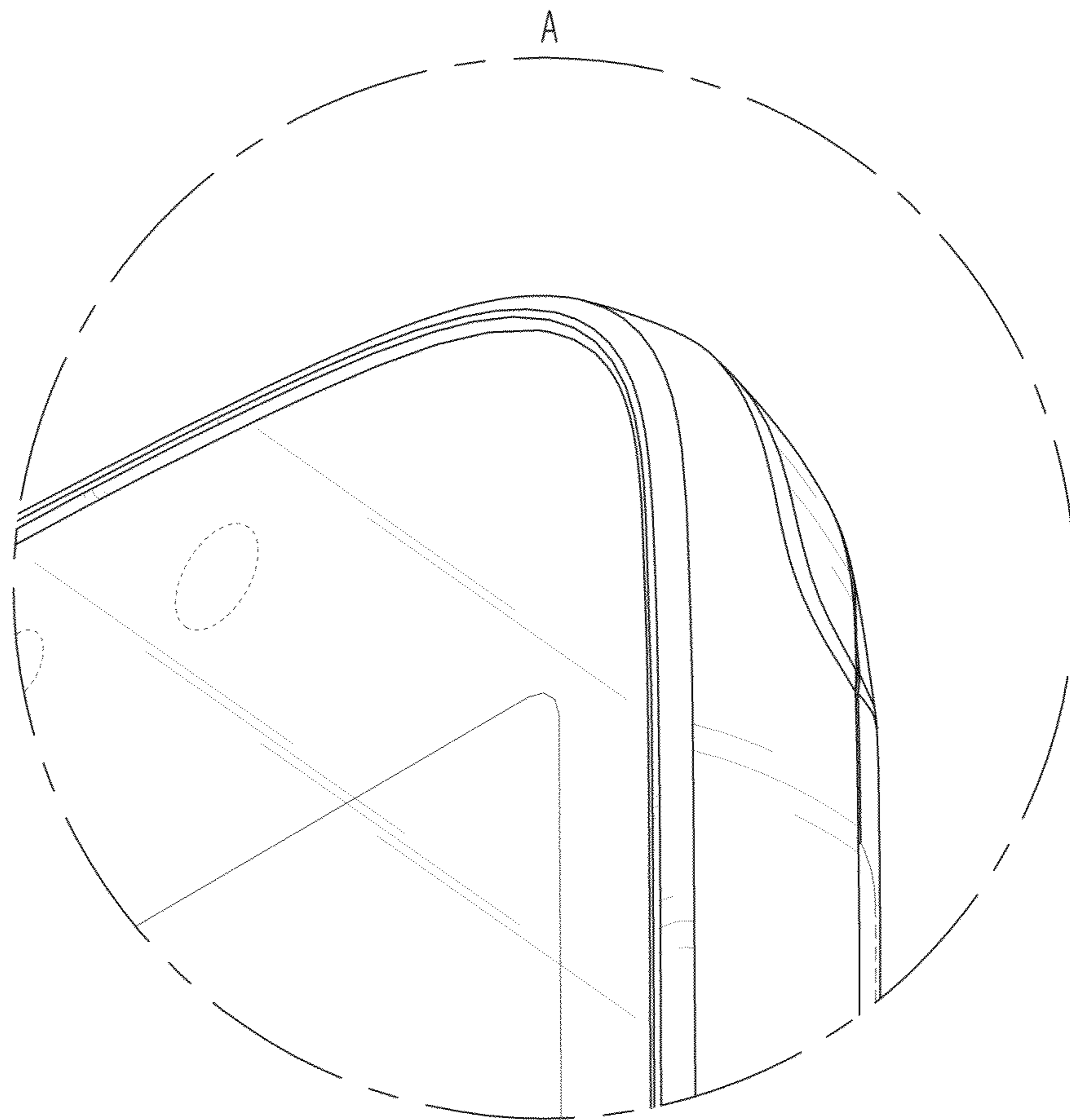


FIG. 10

