



US00D723480S

(12) **United States Design Patent**
Lee et al.

(10) **Patent No.:** **US D723,480 S**
(45) **Date of Patent:** **** Mar. 3, 2015**

(54) **SET TOP BOX WITH SERVER**

(71) Applicant: **Samsung Electronics Co., Ltd.**,
Suwon-Si, Gyeonggi-Do (KR)
(72) Inventors: **Jooyeon Lee**, Seoul (KR); **Joohye**
Chung, Seoul (KR); **Youngkeun Lee**,
Seoul (KR); **Felix Heck**, Munich (DE)
(73) Assignee: **Samsung Electronics Co., Ltd.**,
Gyeonggi-do (KR)

(**) Term: **14 Years**
(21) Appl. No.: **29/461,863**
(22) Filed: **Jul. 29, 2013**

(30) **Foreign Application Priority Data**

Jan. 30, 2013 (KR) 30-2013-0005355
(51) **LOC (10) Cl.** **14-03**
(52) **U.S. Cl.**
USPC **D14/125**
(58) **Field of Classification Search**
CPC H04N 7/00
USPC D14/125, 357-358, 496, 188, 242, 432;
D13/184; 348/10, 460, 706, 731;
340/825.03; 455/6.1, 6.2; 312/223.1,
312/7.2

See application file for complete search history.

(56) **References Cited**

U.S. PATENT DOCUMENTS

D357,234 S *	4/1995	Yoshihara	D14/358
D382,255 S *	8/1997	Moffatt	D14/358
D449,600 S *	10/2001	Gallahan et al.	D14/299
D508,042 S *	8/2005	Oikawa	D14/214
D526,640 S *	8/2006	Chin et al.	D14/188
D610,572 S *	2/2010	Skurdal	D14/216
D644,204 S *	8/2011	Poandl	D14/215
D676,421 S *	2/2013	Garrett	D14/214
D699,710 S *	2/2014	Lee	D14/214

* cited by examiner

Primary Examiner — Randall Gholson
(74) *Attorney, Agent, or Firm* — Harness, Dickey & Pierce

(57) **CLAIM**

The ornamental design for a set top box with server, as shown and described.

DESCRIPTION

FIG. 1 is the front/right-side/top perspective view of a set top box with server showing our new design;
FIG. 2 is the front elevational view thereof;
FIG. 3 is the rear elevational view thereof;
FIG. 4 is the left-side elevational view thereof;
FIG. 5 is the right-side elevational view thereof;
FIG. 6 is the top-side plan view thereof;
FIG. 7 is the bottom-side plan view thereof; and,
FIG. 8 illustrates the server is apart from the set top box with server.

The broken lines shown in the drawings show unclaimed subject matter only and form no part of the claimed design.

1 Claim, 8 Drawing Sheets

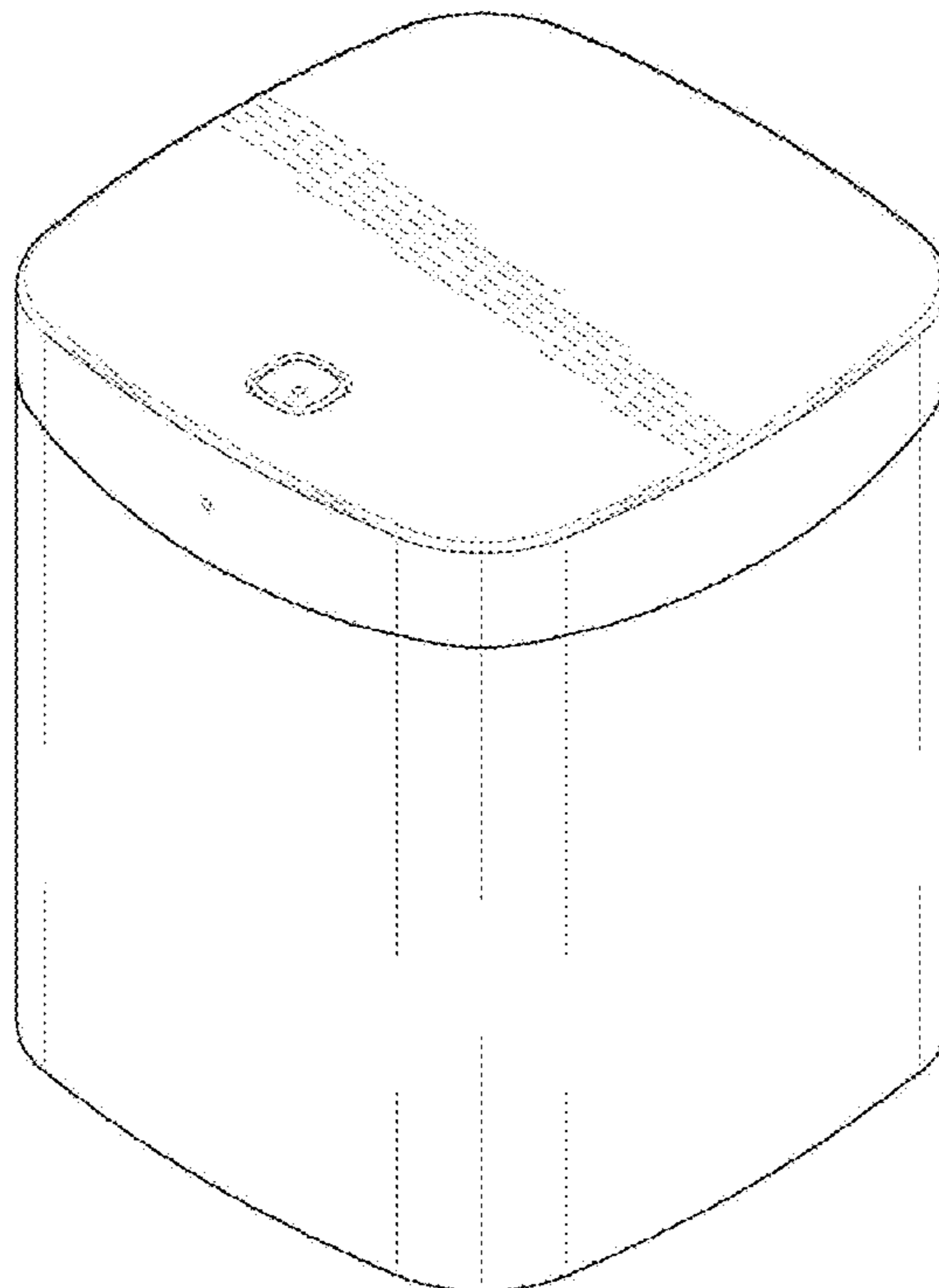


FIG. 1

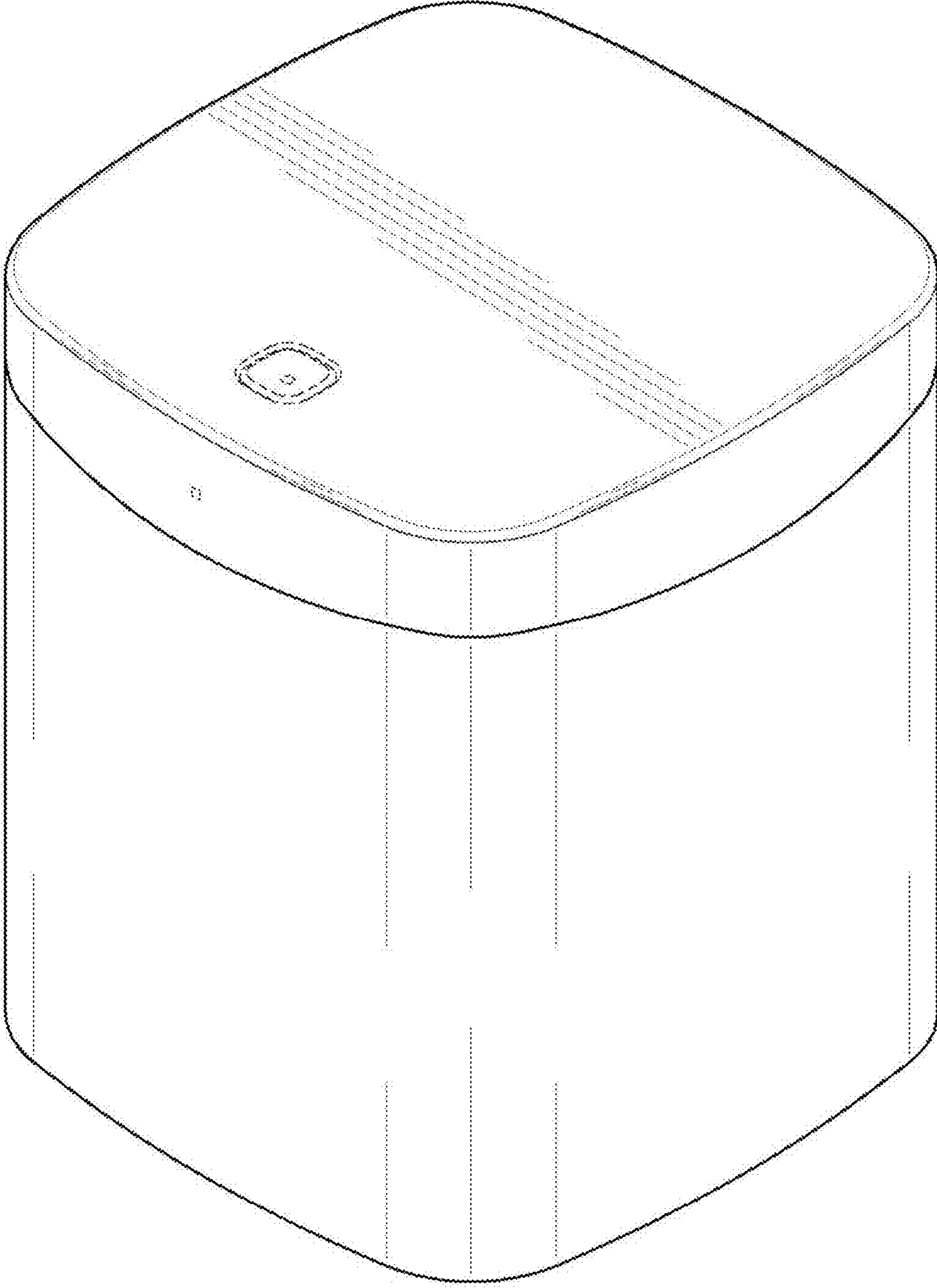


FIG. 2

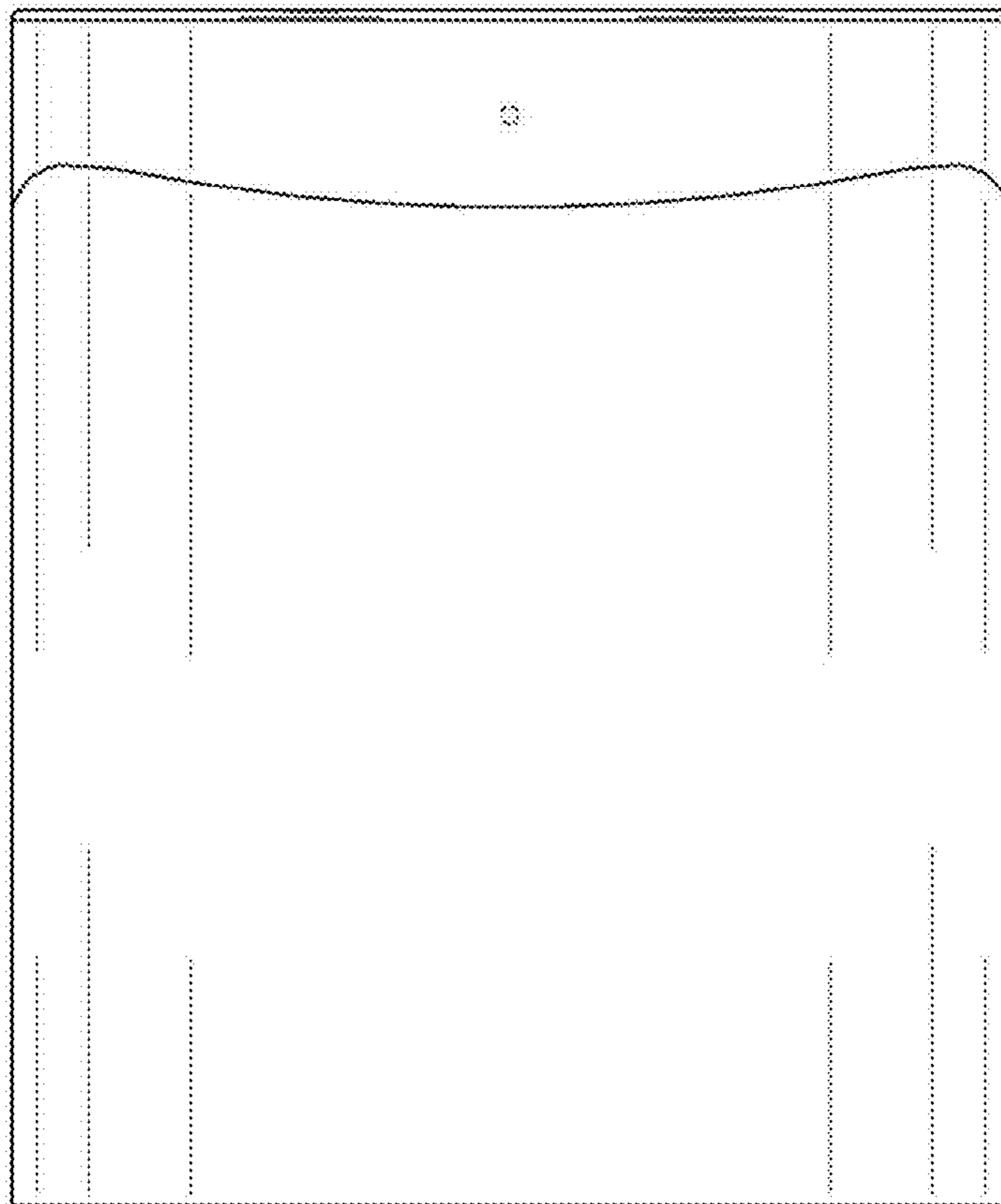


FIG. 3

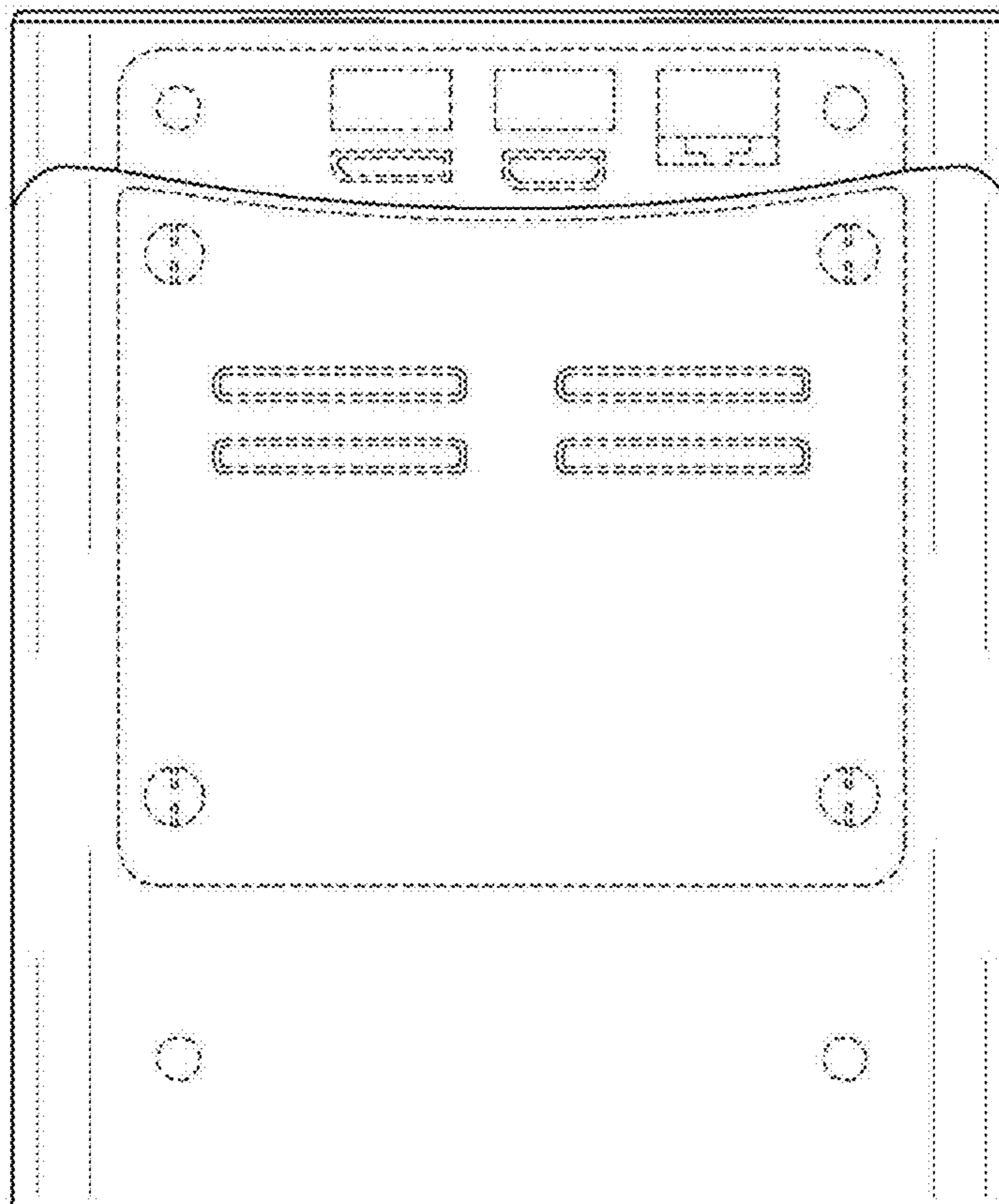


FIG. 4

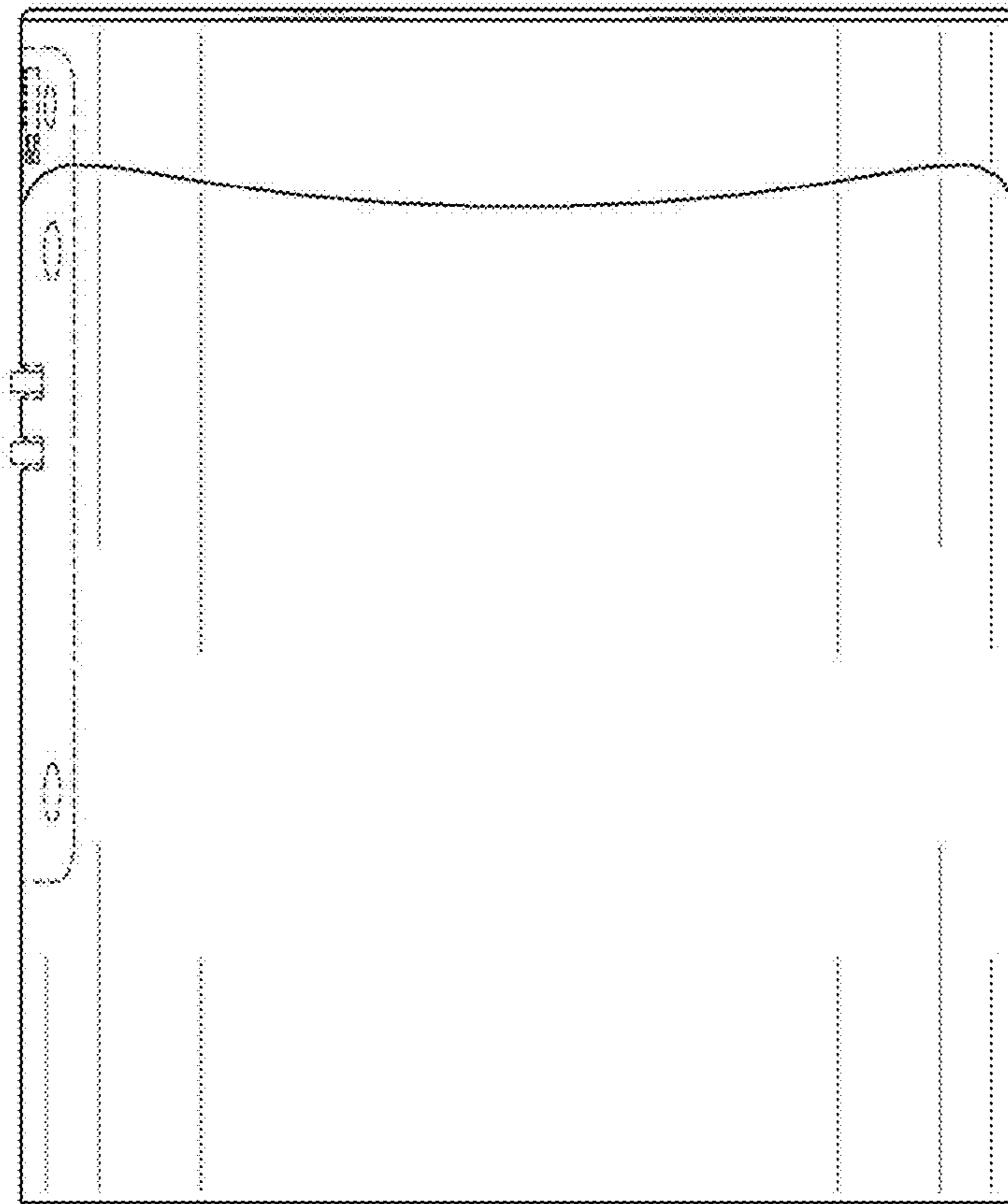


FIG. 5

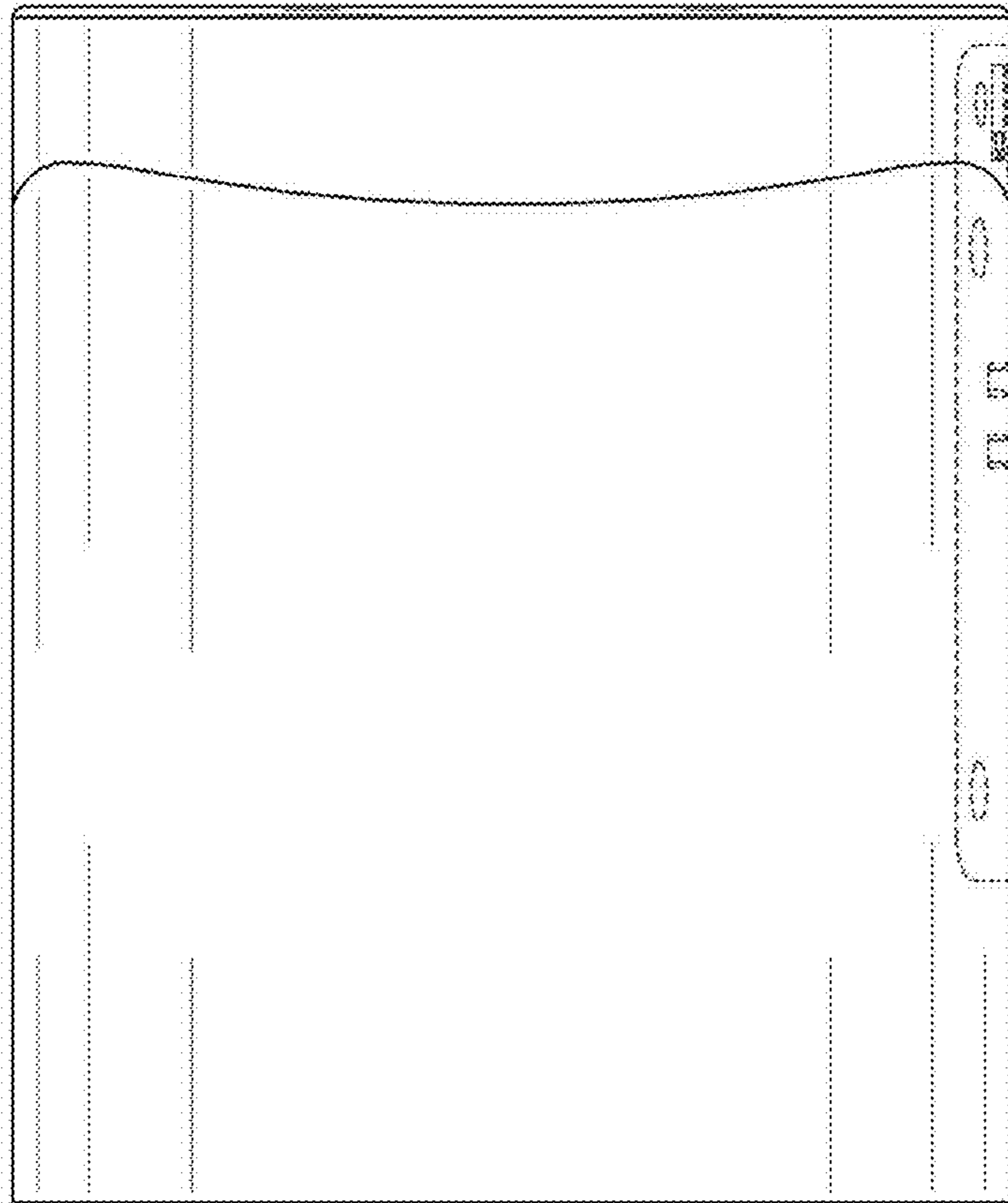


FIG. 6

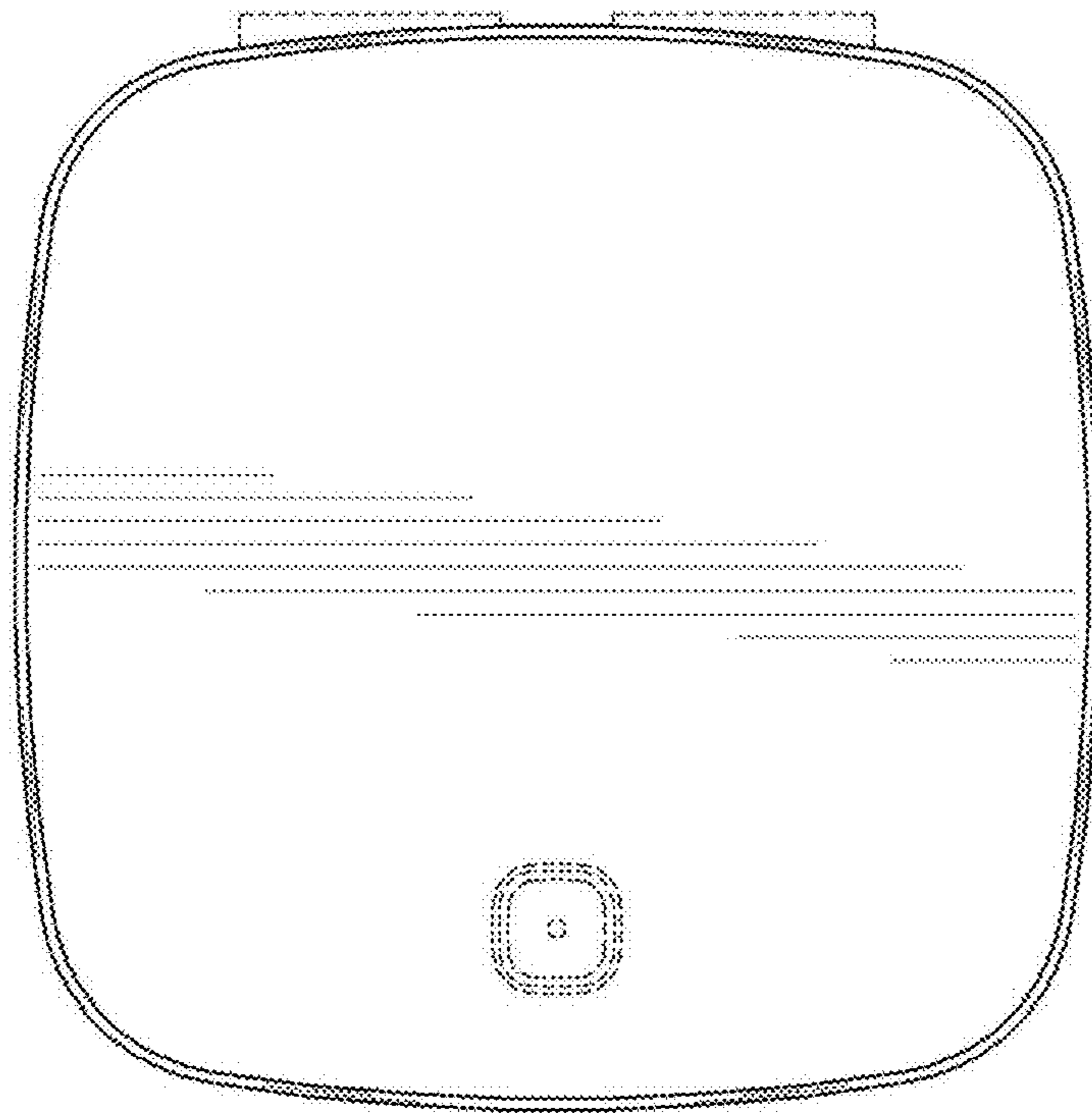


FIG. 7

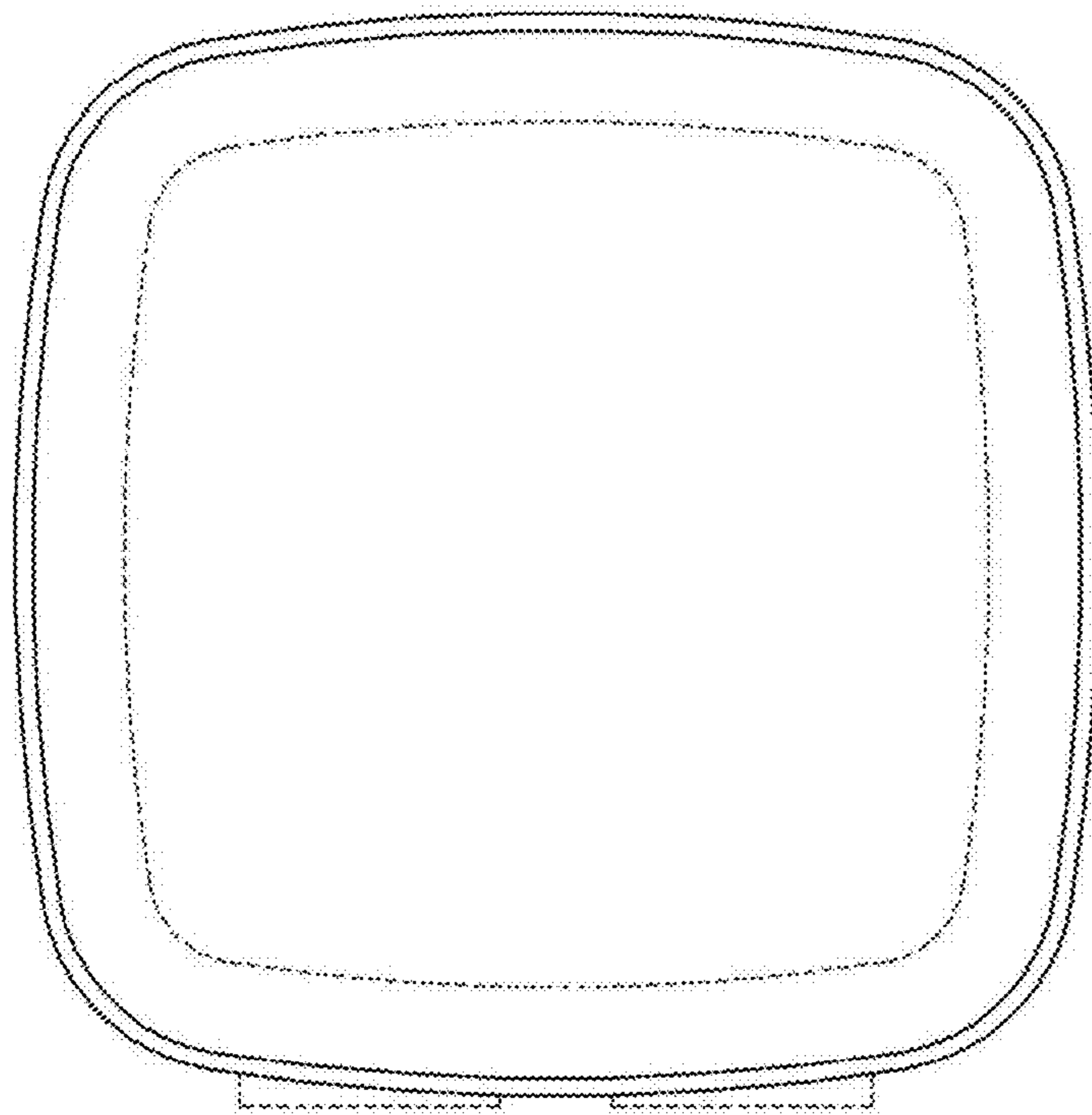


FIG. 8

