



US00D723479S

(12) **United States Design Patent**  
**Lee et al.**

(10) **Patent No.:** **US D723,479 S**  
(45) **Date of Patent:** **\*\* Mar. 3, 2015**

(54) **SERVER FOR SET TOP BOX**  
(71) Applicant: **Samsung Electronics Co., Ltd.**,  
Suwon-Si, Gyeonggi-Do (KR)  
(72) Inventors: **Jooyeon Lee**, Seoul (KR); **Joohye**  
**Chung**, Seoul (KR); **Youngkeun Lee**,  
Seoul (KR); **Felix Heck**, Munich (DE)  
(73) Assignee: **Samsung Electronics Co., Ltd.**,  
Gyeonggi-do (KR)  
(\*\*) Term: **14 Years**

D382,255 S \* 8/1997 Moffatt ..... D14/358  
D449,600 S \* 10/2001 Gallahan et al. .... D14/299  
D508,042 S \* 8/2005 Oikawa ..... D14/214  
D526,640 S \* 8/2006 Chin et al. .... D14/188  
D610,572 S \* 2/2010 Skurdal ..... D14/216  
D644,204 S \* 8/2011 Poandl ..... D14/215  
D676,421 S \* 2/2013 Garrett ..... D14/214  
D699,710 S \* 2/2014 Lee ..... D14/214

\* cited by examiner

*Primary Examiner* — Randall Gholson

(74) *Attorney, Agent, or Firm* — Harness, Dickey & Pierce

(21) Appl. No.: **29/461,862**  
(22) Filed: **Jul. 29, 2013**  
(30) **Foreign Application Priority Data**

Jan. 30, 2013 (KR) ..... 30-2013-0005356

(51) **LOC (10) Cl.** ..... **14-03**

(52) **U.S. Cl.**  
USPC ..... **D14/125**

(58) **Field of Classification Search**  
CPC ..... H04N 7/00  
USPC ..... D14/125, 357–358, 496, 188, 242, 432;  
D13/184; 348/10, 460, 706, 731;  
340/825.03; 455/6.1, 6.2; 312/223.1,  
312/7.2

See application file for complete search history.

(56) **References Cited**  
U.S. PATENT DOCUMENTS

D357,234 S \* 4/1995 Yoshihara ..... D14/358

(57) **CLAIM**

The ornamental design for a server for set top box, as shown and described.

**DESCRIPTION**

FIG. 1 is the front/right-side/top perspective view of an server for set top box showing our new design;  
FIG. 2 is the front elevational view thereof;  
FIG. 3 is the rear elevational view thereof;  
FIG. 4 is the left-side elevational view thereof;  
FIG. 5 is the right-side elevational view thereof;  
FIG. 6 is the top-side plan view thereof;  
FIG. 7 is the bottom-side plan view thereof; and,  
FIG. 8 illustrates the server located on the set top box.  
The broken lines shown in the drawings show unclaimed subject matter only and form no part of the claimed design.

**1 Claim, 5 Drawing Sheets**

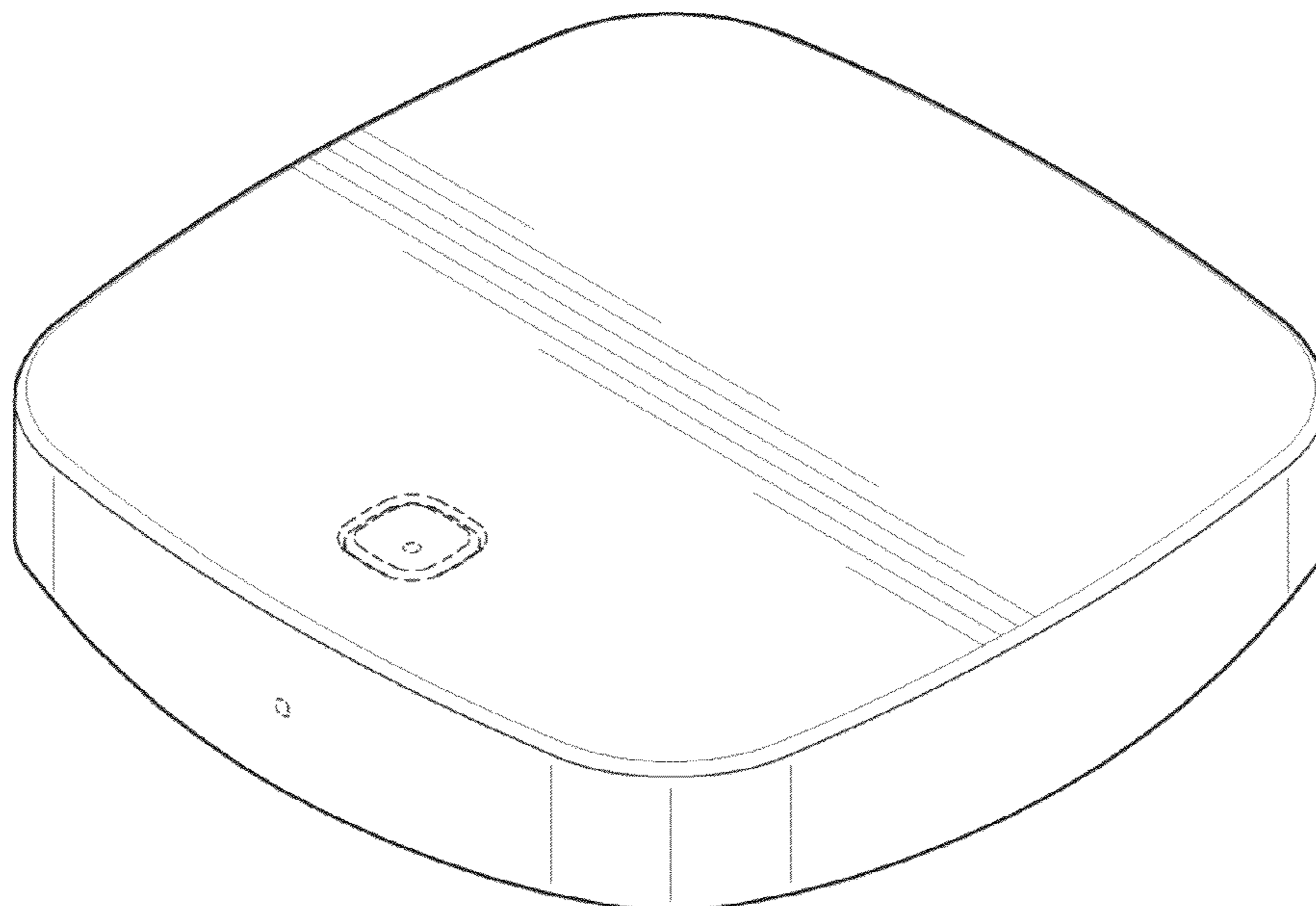


FIG. 1

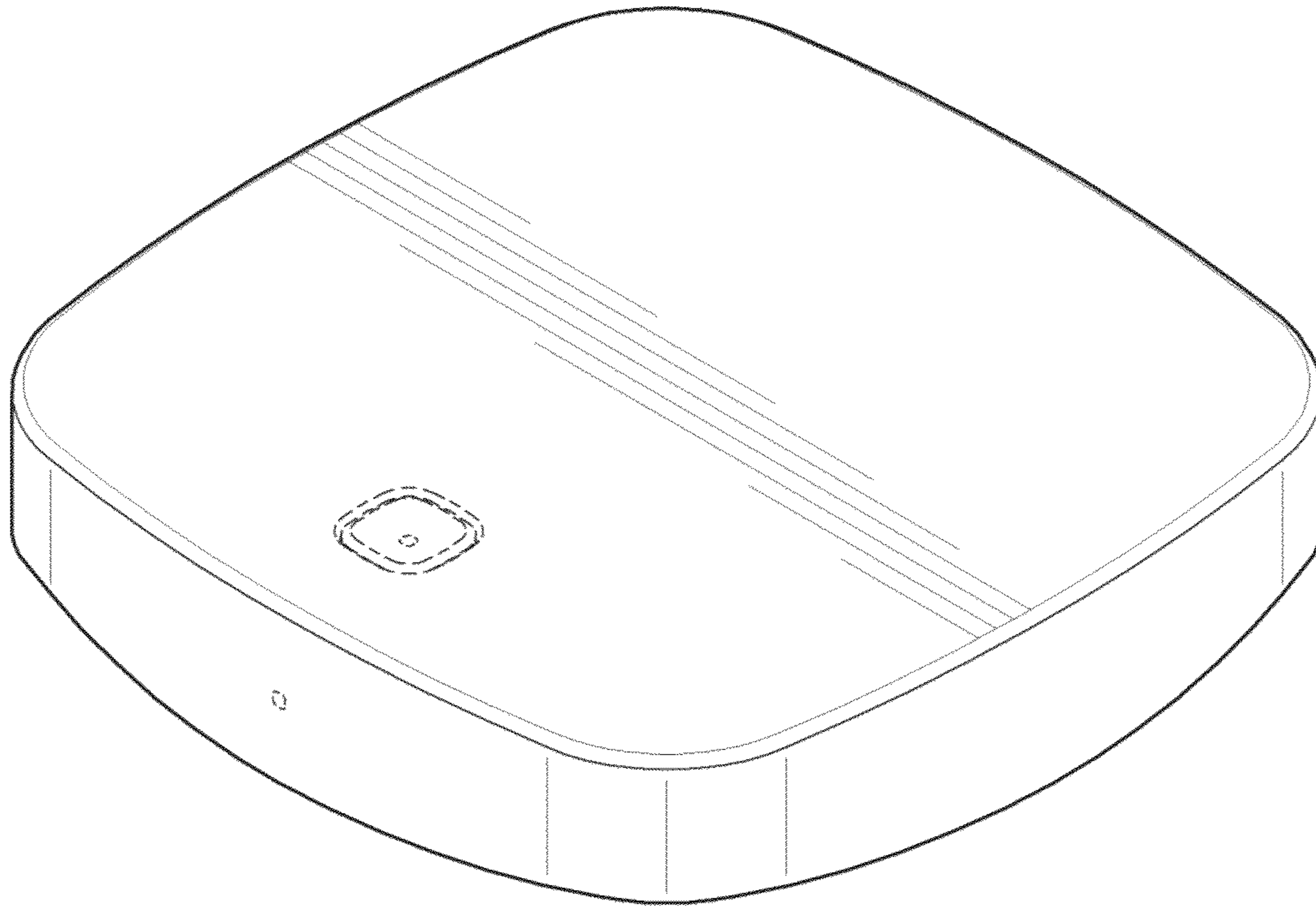


FIG. 2

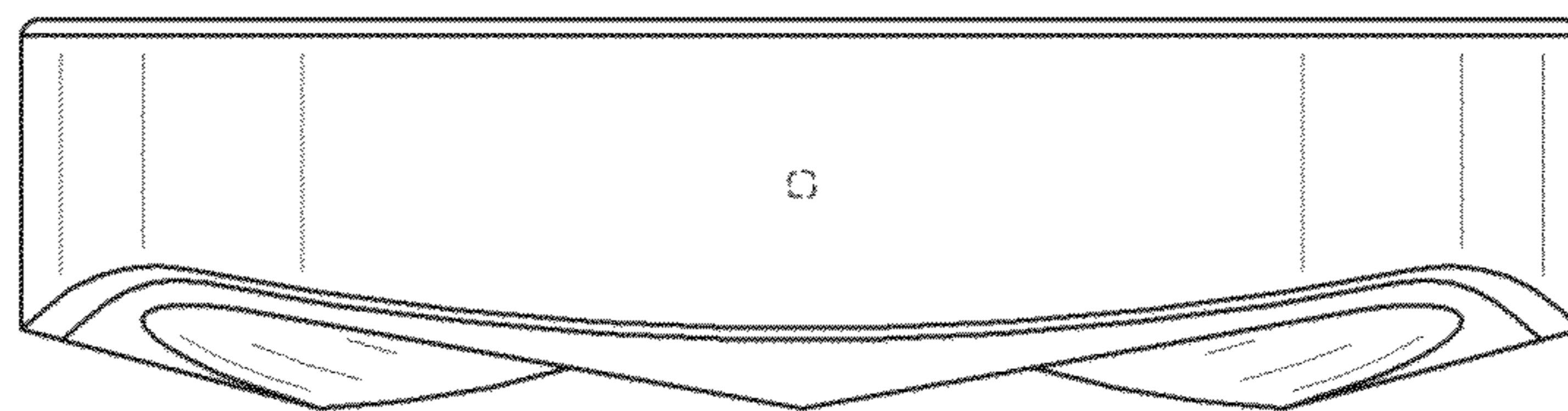


FIG. 3

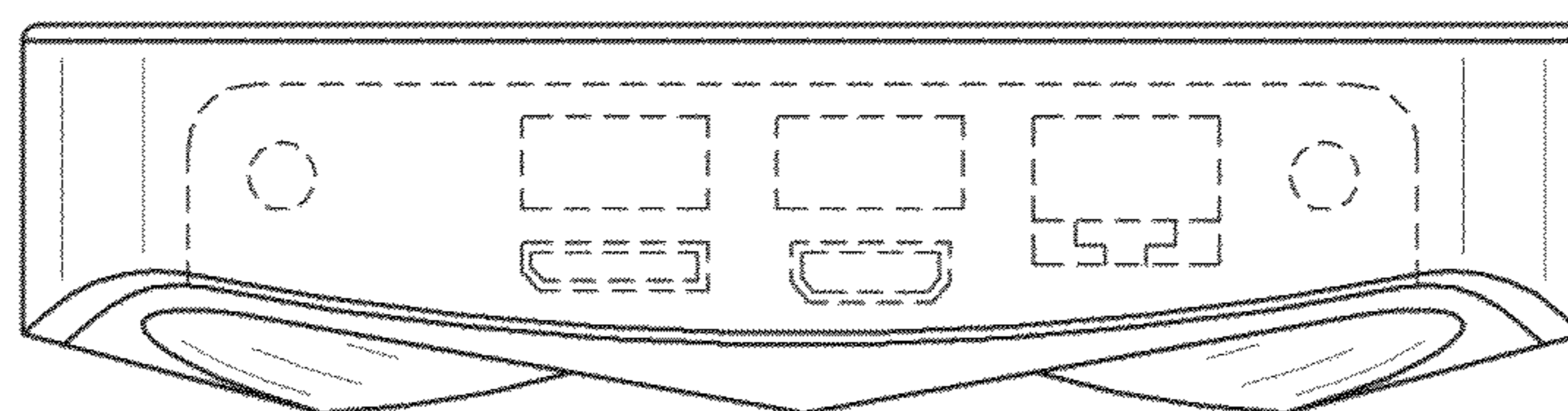


FIG. 4

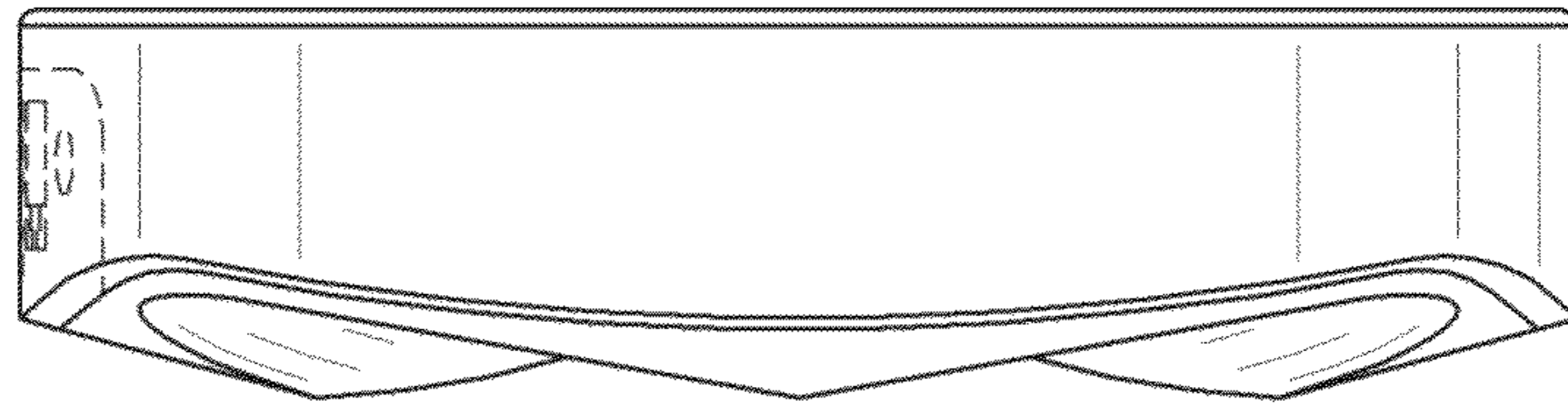


FIG. 5

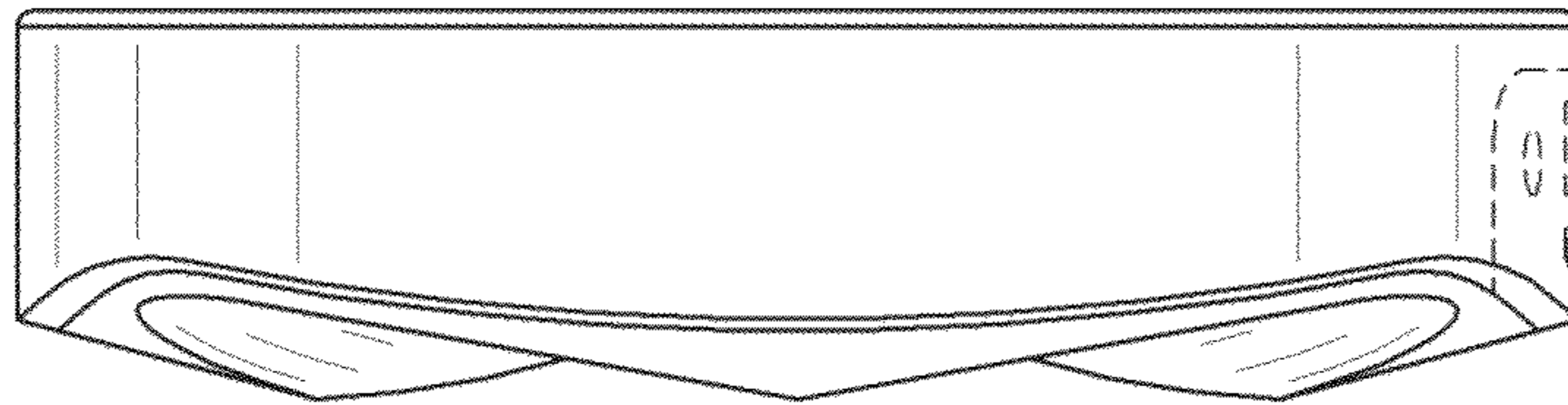


FIG. 6

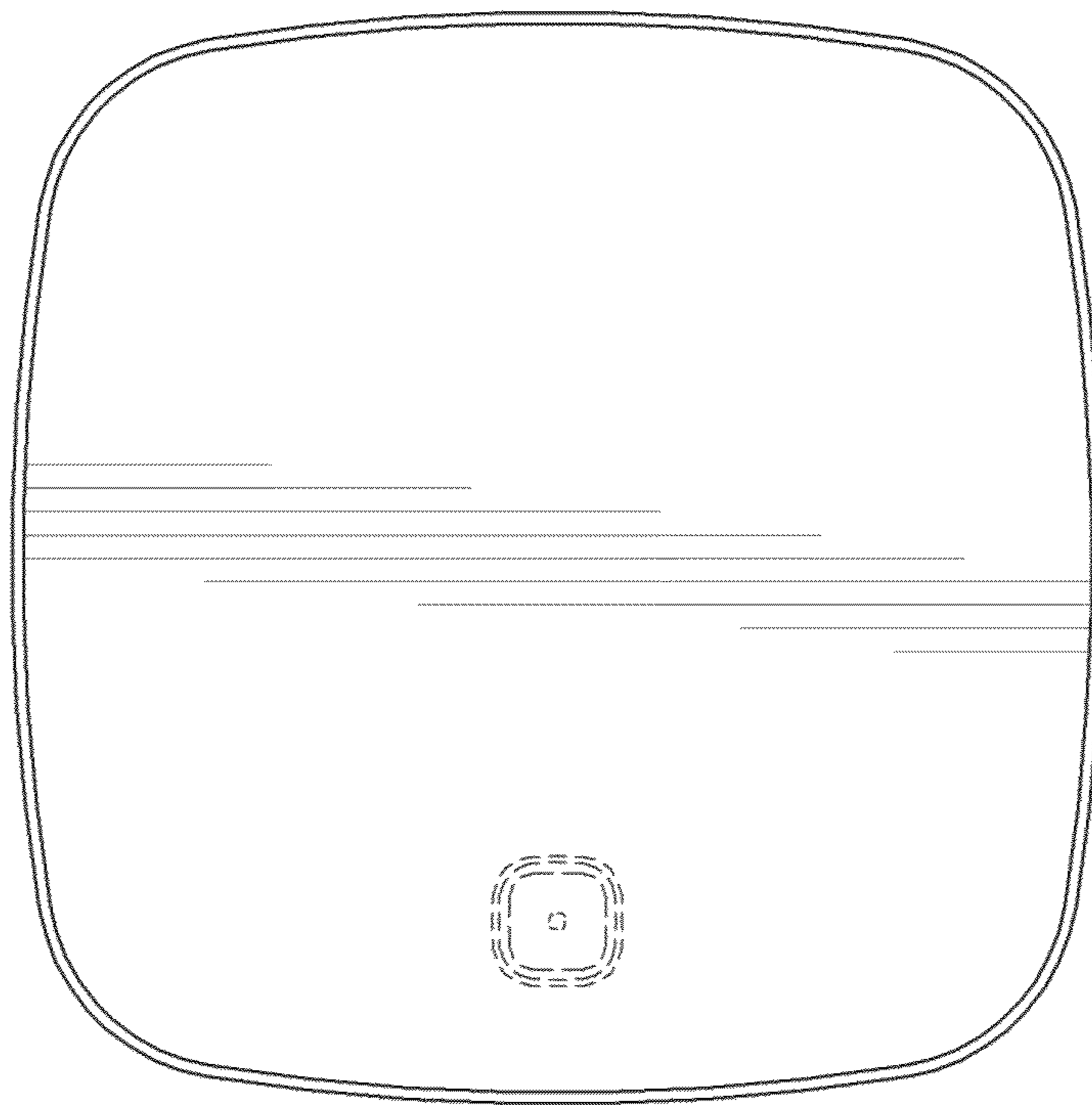


FIG. 7

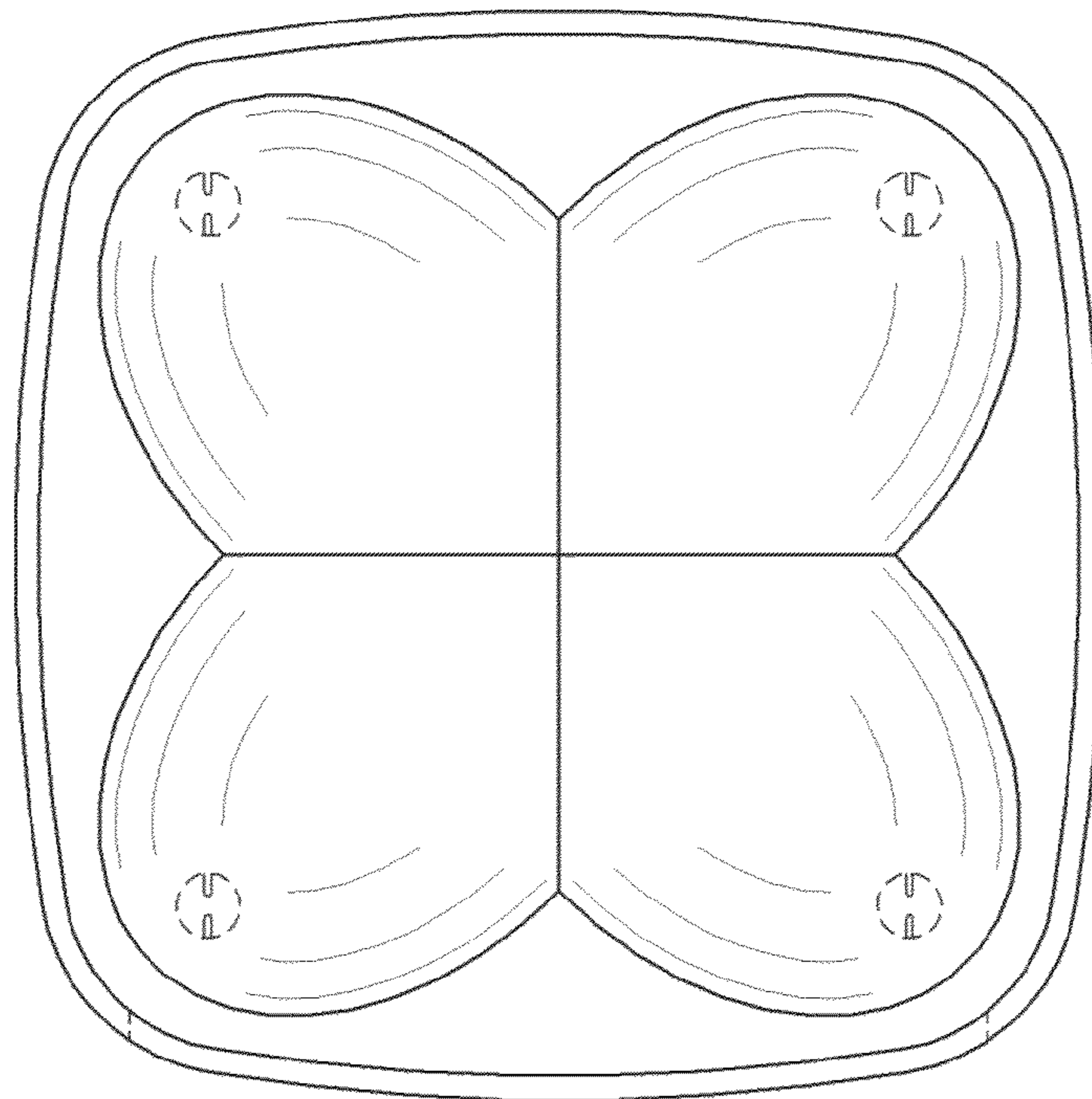




FIG. 8

