



US00D723477S

(12) **United States Design Patent**  
**Bruggemann et al.**

(10) **Patent No.:** **US D723,477 S**  
(45) **Date of Patent:** **\*\* Mar. 3, 2015**

(54) **CONTROL DEVICE**

(71) Applicant: **Sulzer Pump Solutions AB**, Malmo (SE)

(72) Inventors: **Martin Bruggemann**, Dublin (IE);  
**James Ryan**, Dublin (IE)

(73) Assignee: **Sulzer Pump Solutions AB**, Malmo (SE)

(\*\*) Term: **14 Years**

(21) Appl. No.: **29/436,282**

(22) Filed: **Nov. 2, 2012**

(30) **Foreign Application Priority Data**

May 2, 2012 (EM) ..... 002035949

(51) **LOC (10) Cl.** ..... **14-03**

(52) **U.S. Cl.**  
USPC ..... **D13/168**

(58) **Field of Classification Search**

CPC ..... H03J 1/0025; H03J 9/00; H03J 9/02;  
H03J 9/04; H03J 9/06; H01H 9/0235; H04B  
1/202; G05B 11/01; G08C 17/00; G08C  
17/02; G08C 19/28; G08C 23/04; G08C  
2201/20; G08C 2201/30; G08C 2201/33;  
G08C 2201/40; F04D 15/00; F04D 15/0027  
USPC ..... D13/168; D14/218; D15/7; 340/4.3,  
340/4.42, 12.22, 12.23, 12.24, 12.29, 12.3,  
340/12.55, 13.2, 13.21, 13.24; 341/176;  
417/44.1; 700/17, 65, 83

See application file for complete search history.

(56) **References Cited**

**U.S. PATENT DOCUMENTS**

D531,584 S \* 11/2006 Myers et al. .... D13/168  
D552,562 S \* 10/2007 Yamamoto et al. .... D13/168  
D589,464 S \* 3/2009 Ozoe ..... D13/171

D663,746 S \* 7/2012 Kwon ..... D15/7  
D708,796 S \* 7/2014 Sproviero et al. .... D30/199  
2006/0262000 A1 \* 11/2006 Strong ..... 341/176  
2010/0189572 A1 \* 7/2010 Hansen ..... 417/44.1  
2013/0294931 A1 \* 11/2013 Magnusson et al. .... 417/44.1  
2014/0265634 A1 \* 9/2014 Weber et al. .... 307/117

\* cited by examiner

*Primary Examiner* — Selina Sikder

(74) *Attorney, Agent, or Firm* — Knobbe, Martens, Olson & Bear LLP

(57) **CLAIM**

The ornamental design for a control device, as shown and described.

**DESCRIPTION**

FIG. 1 is a first perspective view of a control device showing a first embodiment of the new design.

FIG. 2 is a second perspective view thereof.

FIG. 3 is a top plan view thereof.

FIG. 4 is a right side elevational view thereof. The left side elevational view is a mirror image of the right side elevational view.

FIG. 5 is a bottom plan view thereof.

FIG. 6 is a front elevational thereof wherein the cap is in open position.

FIG. 7 is a rear elevational thereof wherein the cap is in open position.

FIG. 8 is a first perspective view of a second embodiment of the new design.

FIG. 9 is a second perspective view of the second embodiment.

FIG. 10 is a top plan view of the second embodiment.

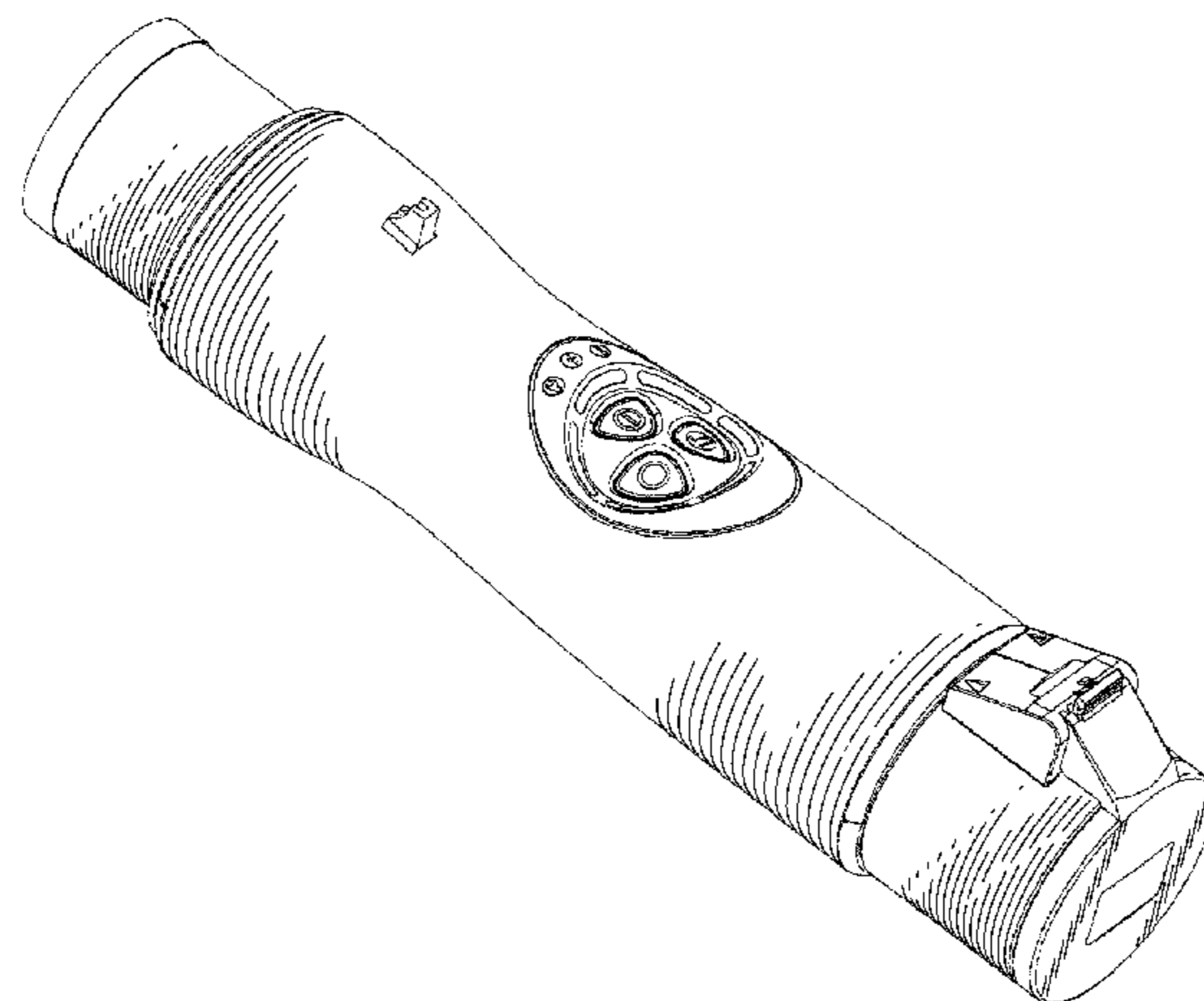
FIG. 11 is a right side elevational view of the second embodiment. The left side elevational view of the second embodiment is a mirror image of the right side elevational view of the second embodiment.

FIG. 12 is a bottom plan view of the second embodiment.

FIG. 13 is a front elevational of the second embodiment wherein the cap is in open position; and,

FIG. 14 is a rear elevational of the second embodiment wherein the cap is in open position.

**1 Claim, 12 Drawing Sheets**



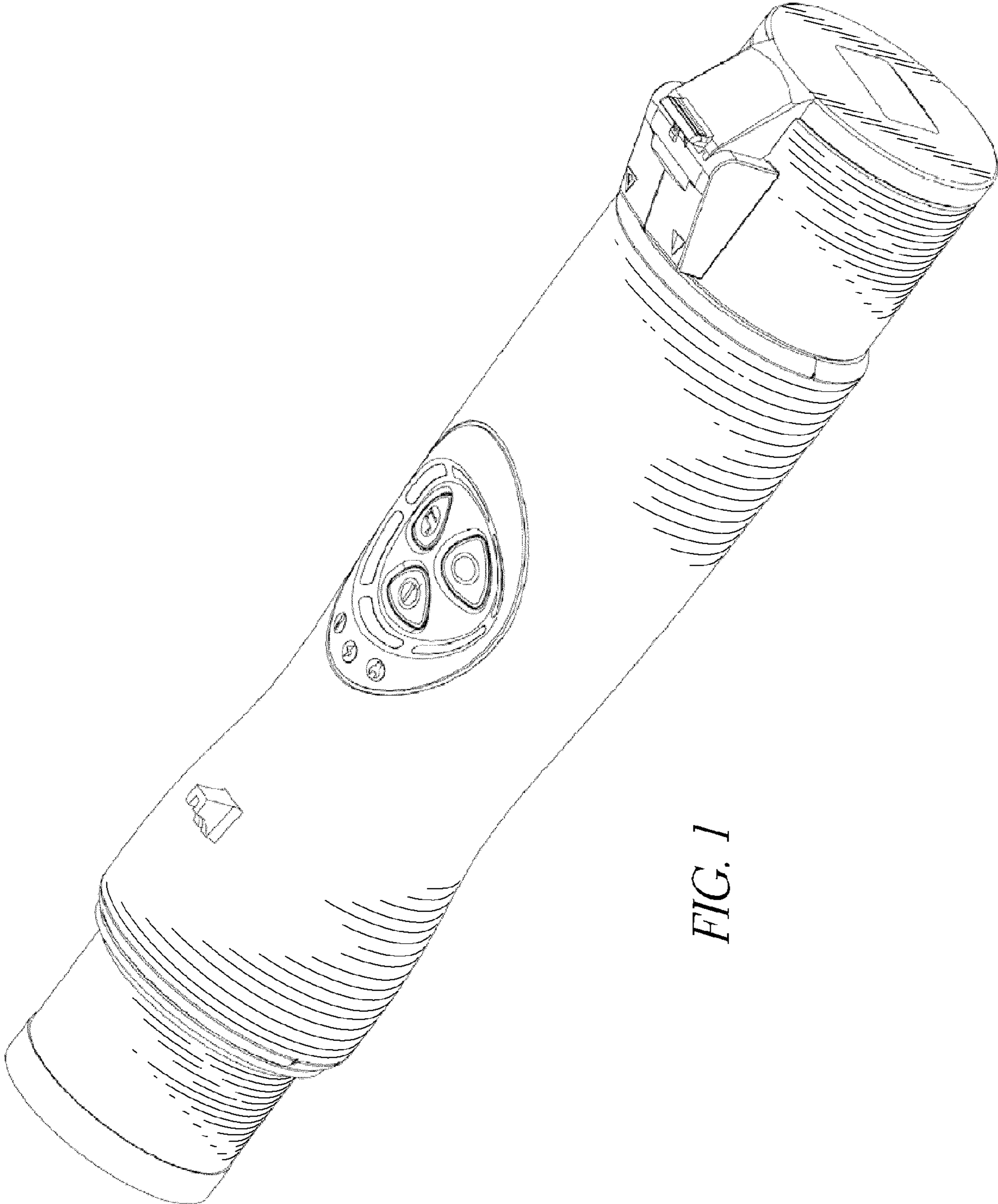


FIG. 1

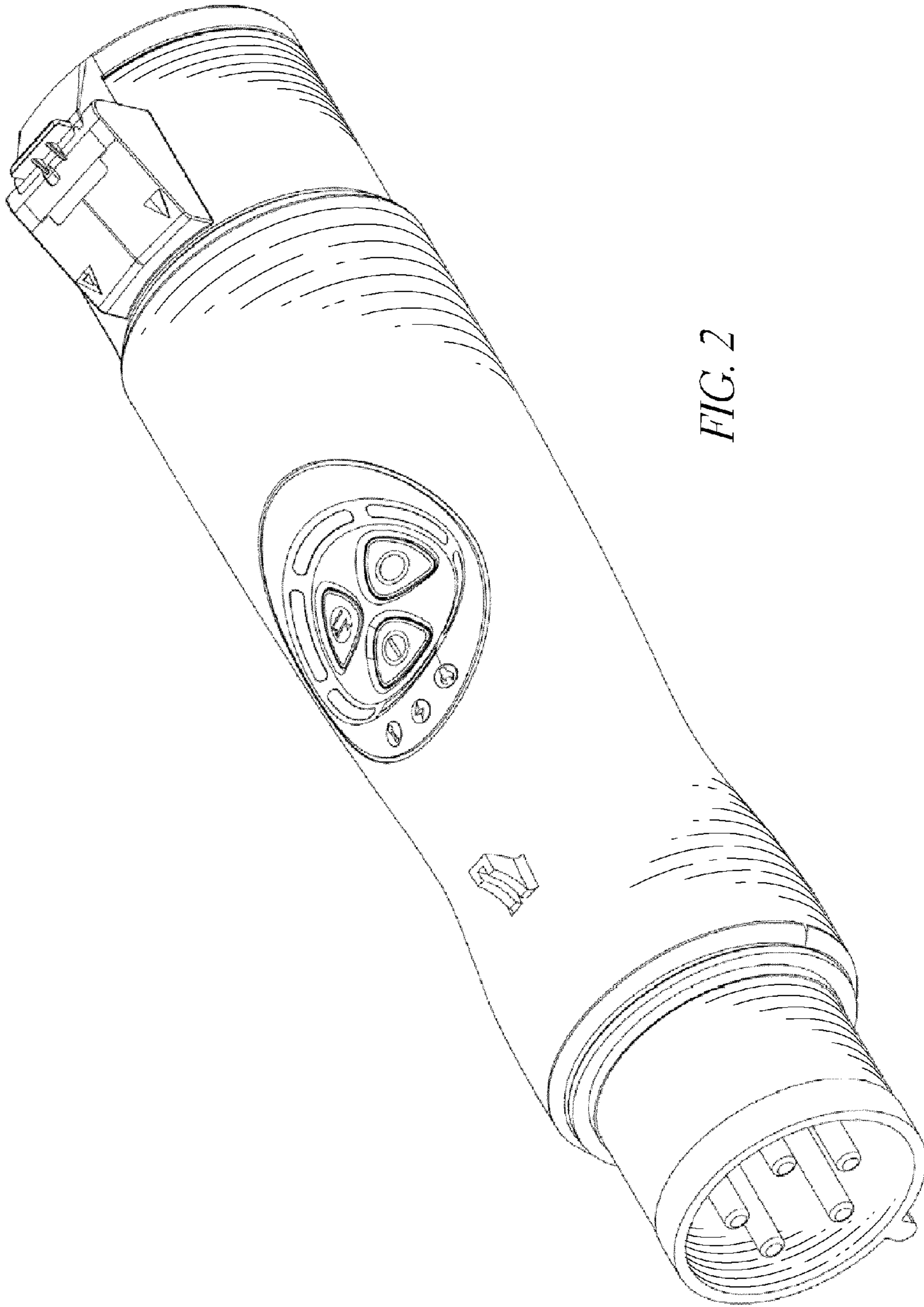


FIG. 2



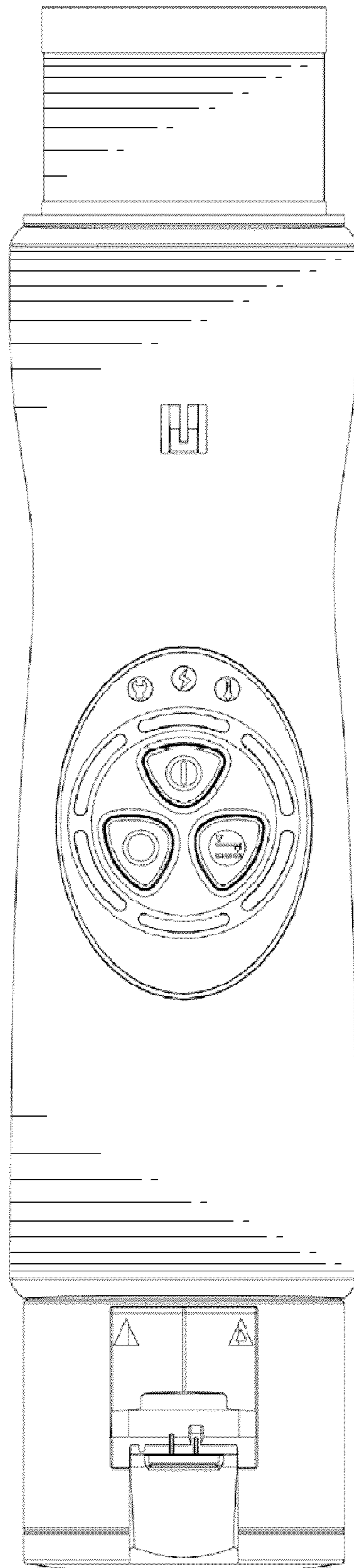


FIG. 3

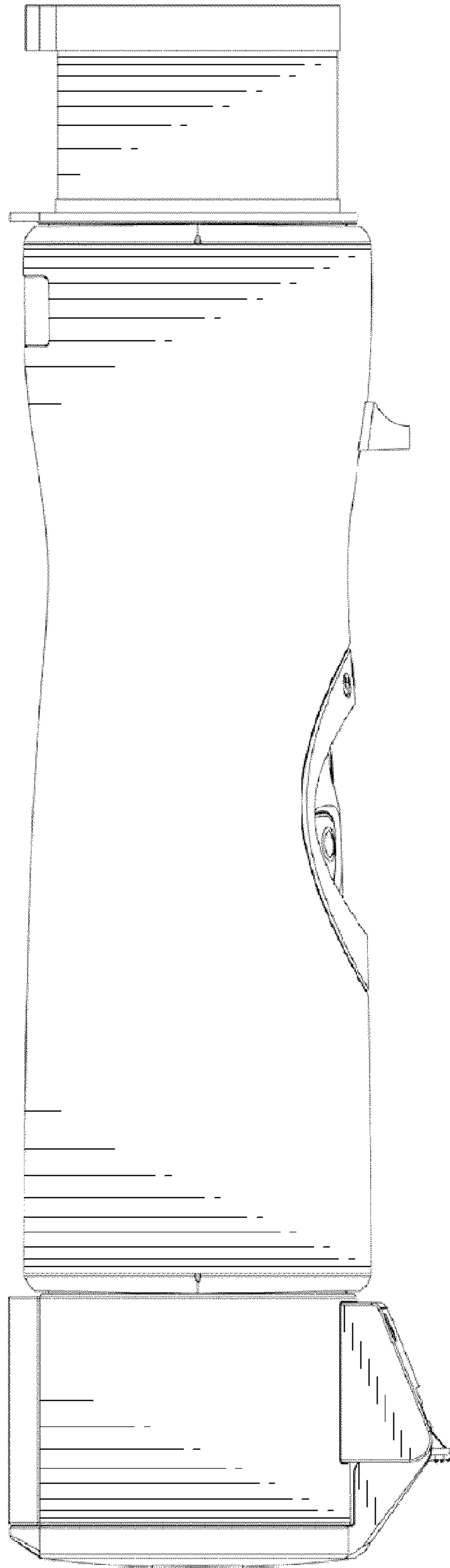


FIG. 4

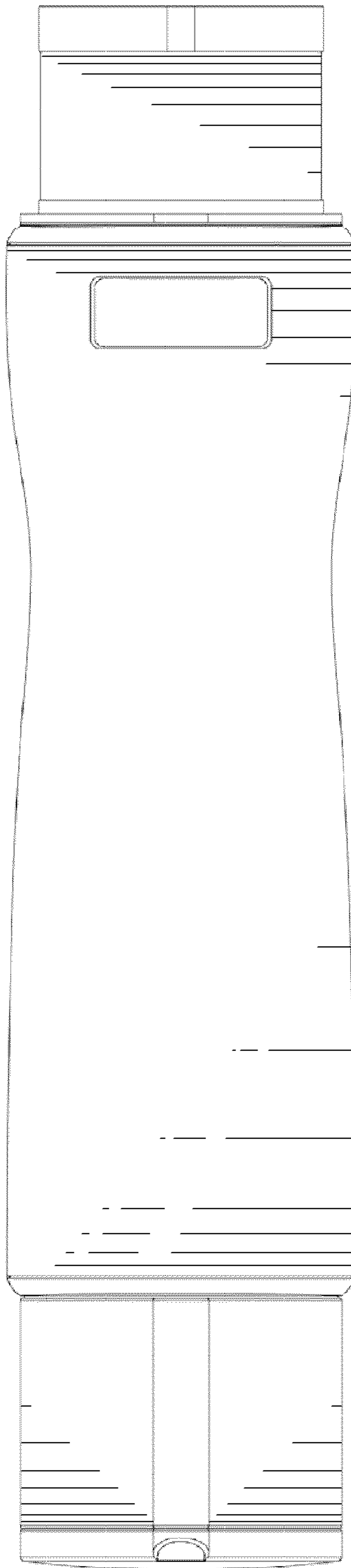
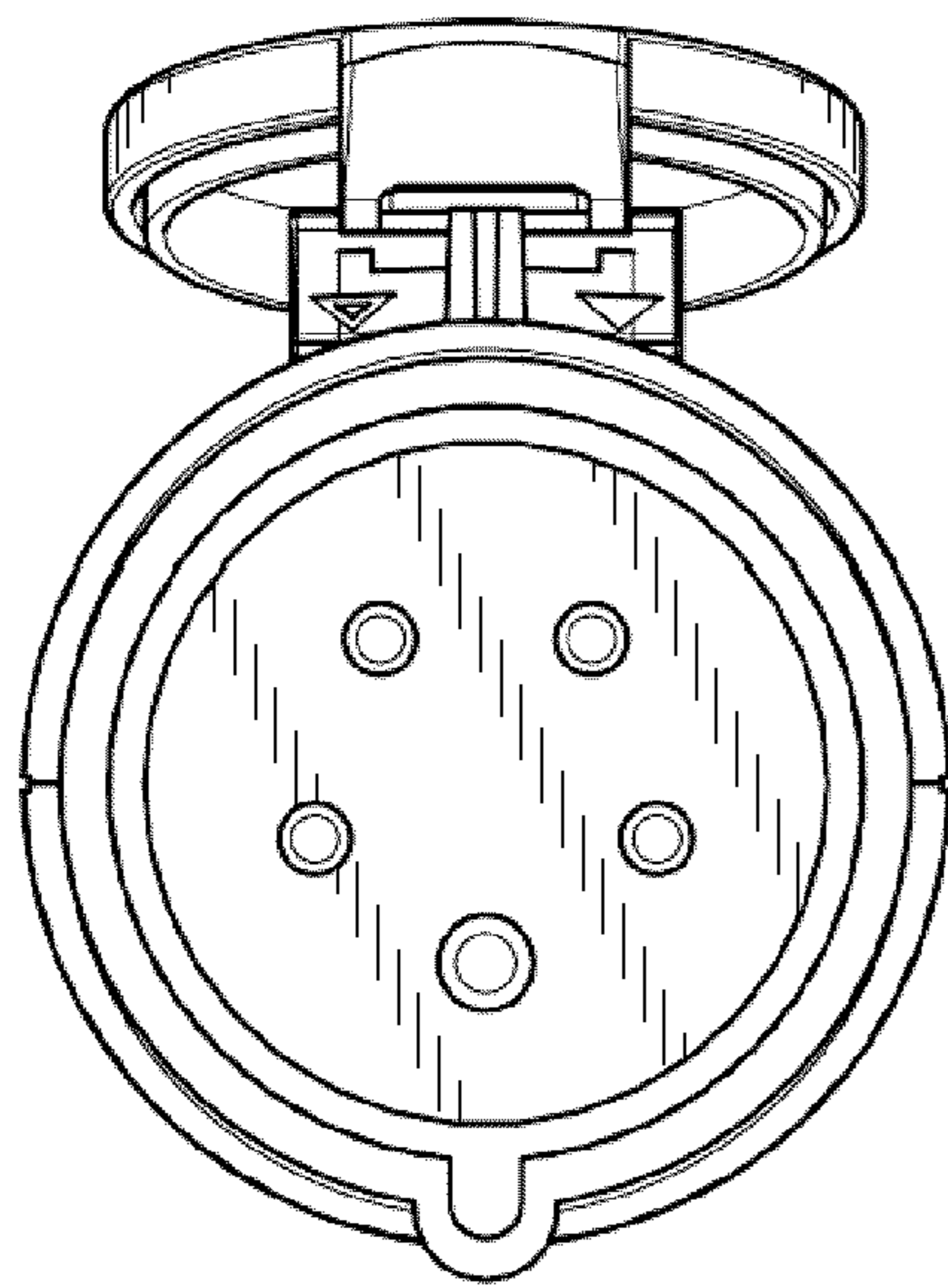
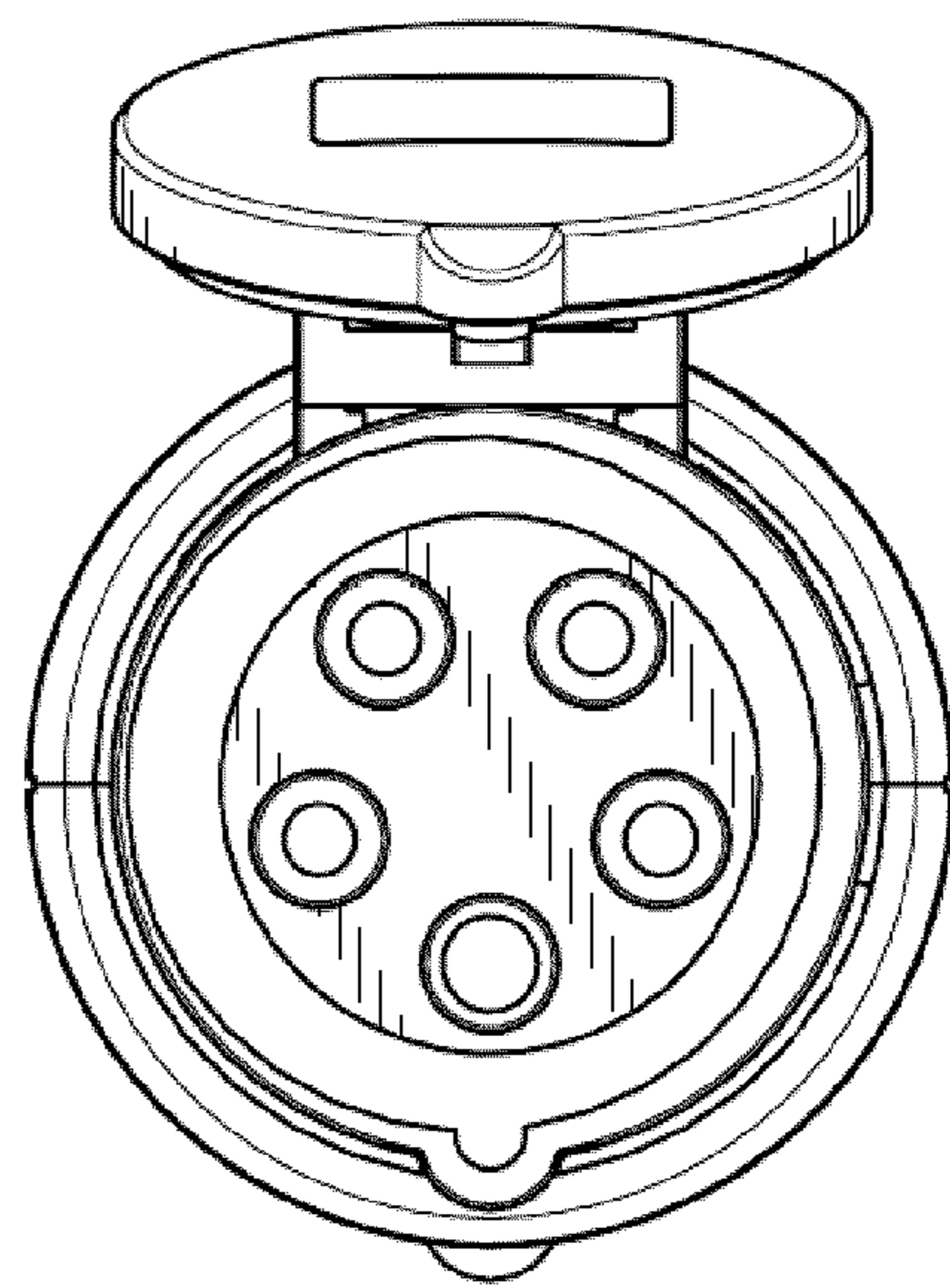


FIG. 5



*FIG. 6*



*FIG. 7*

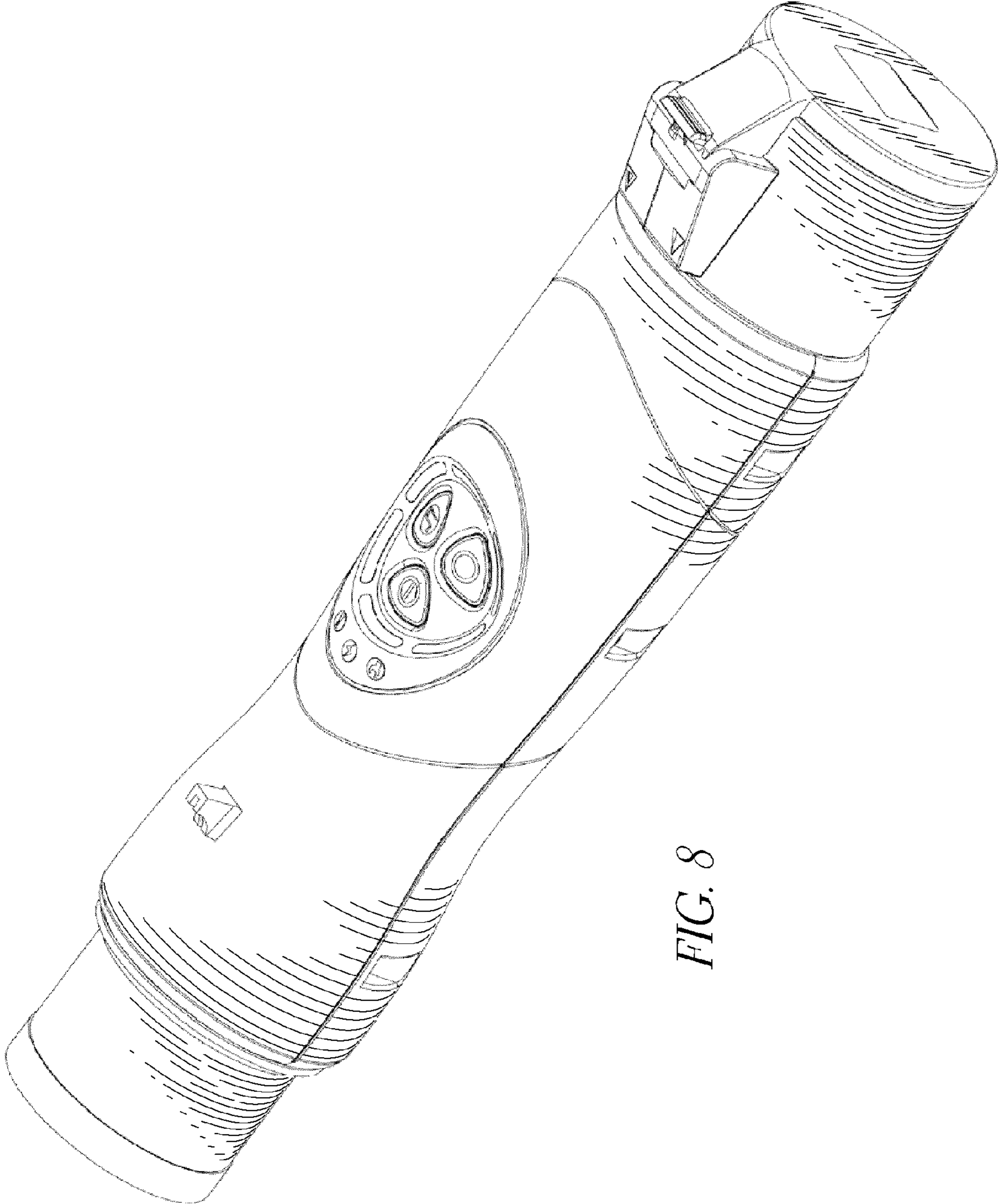


FIG. 8



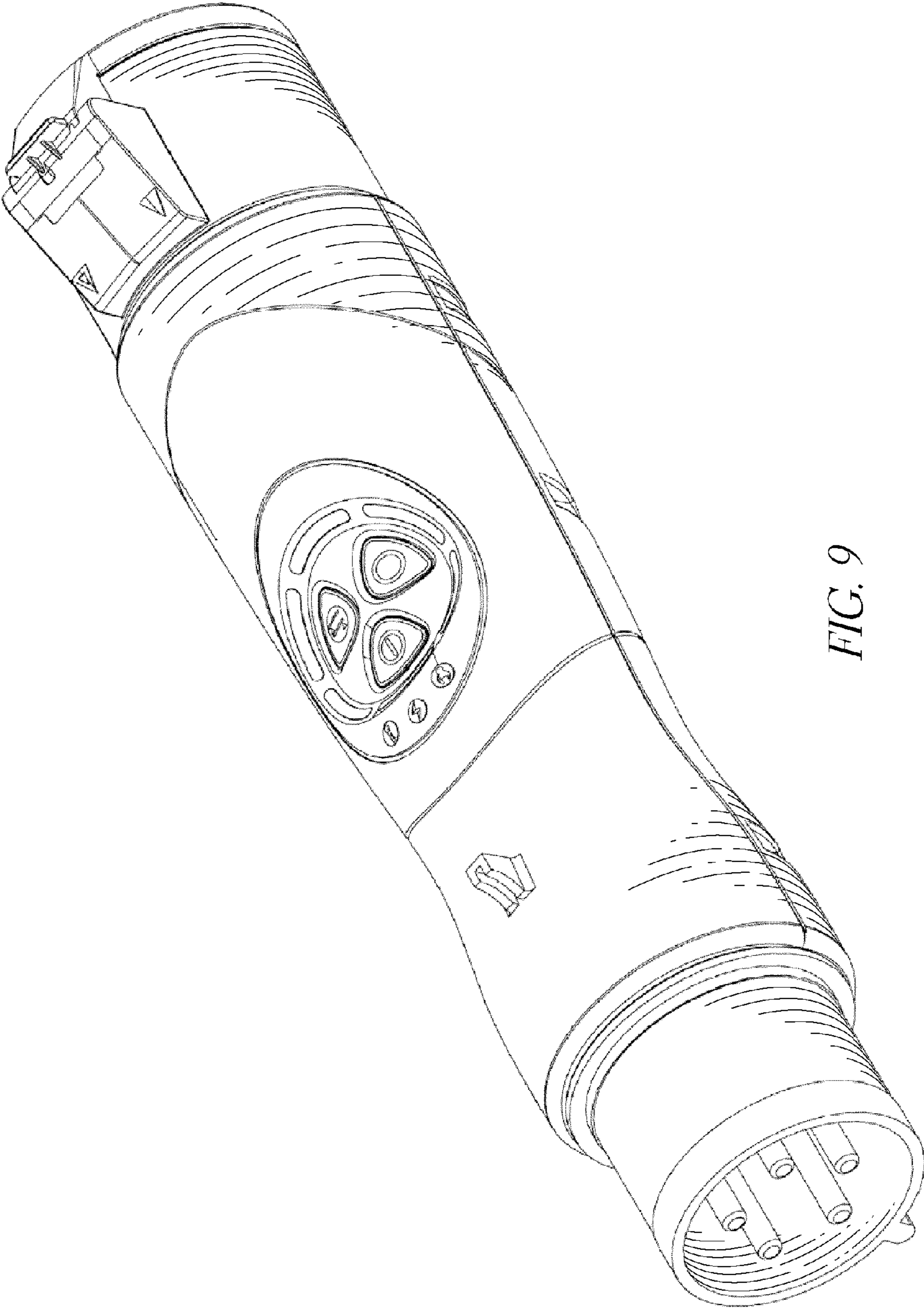


FIG. 9

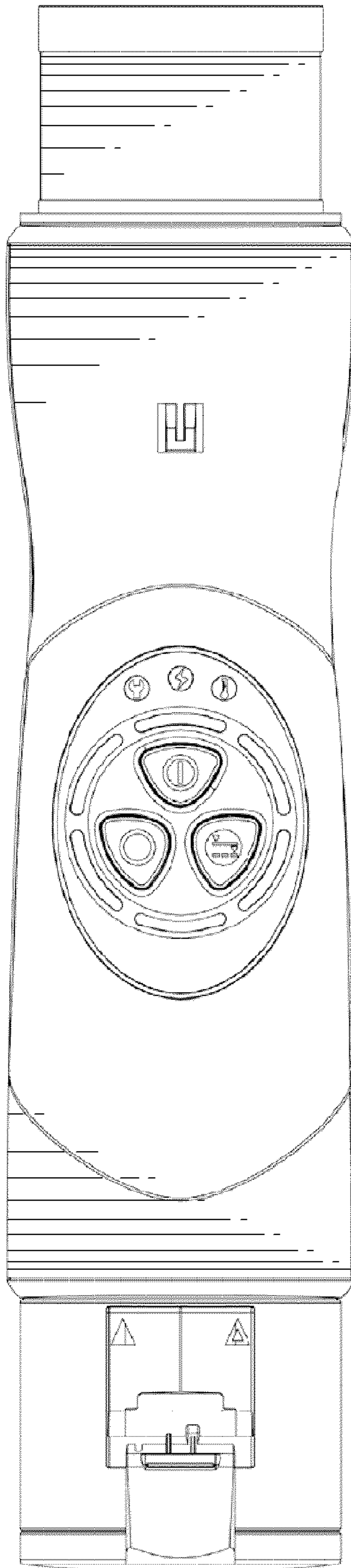


FIG. 10

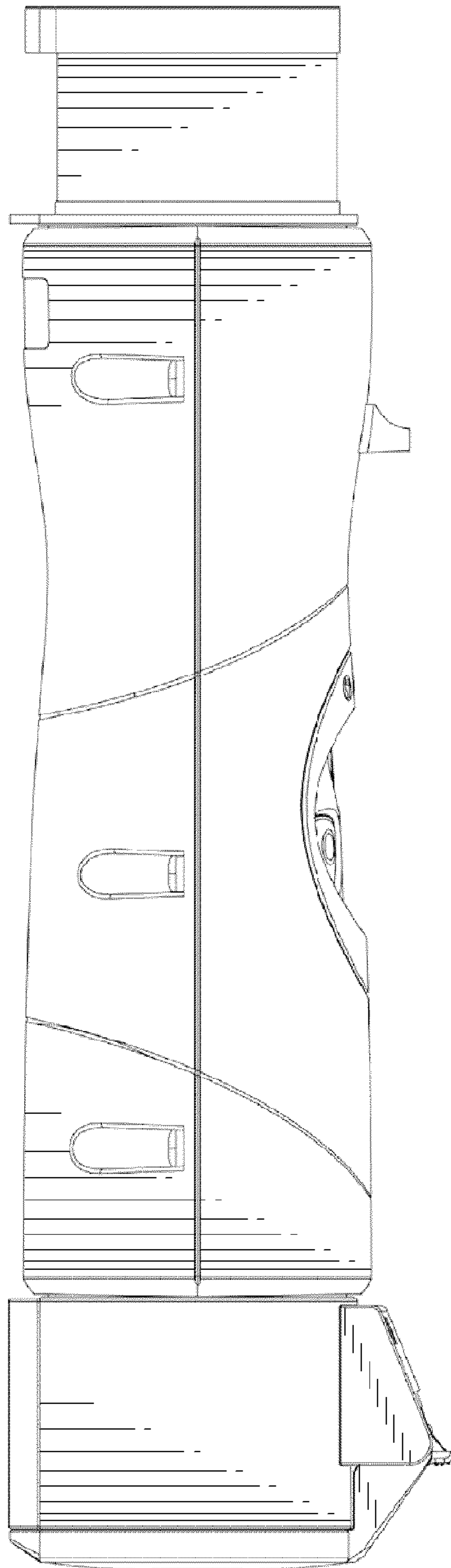


FIG. 11

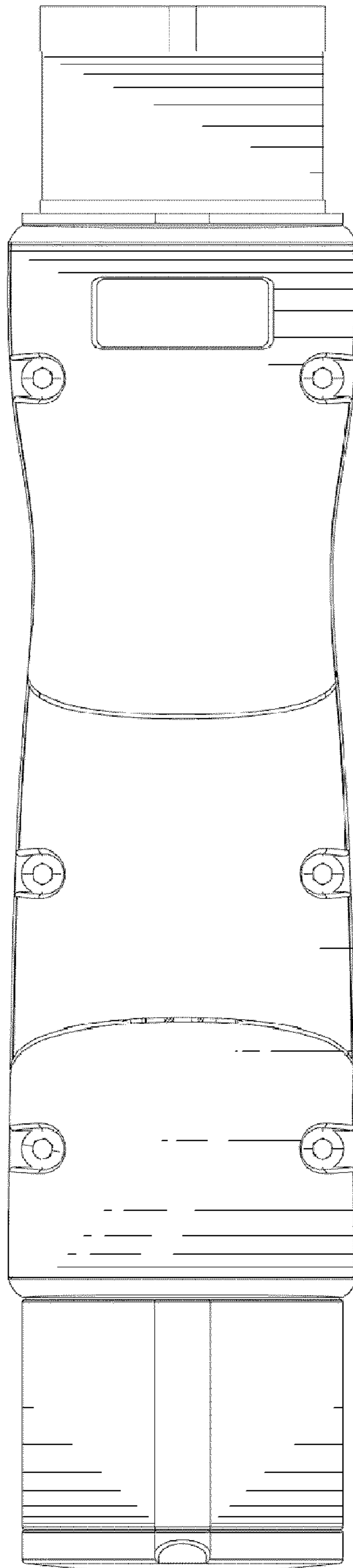
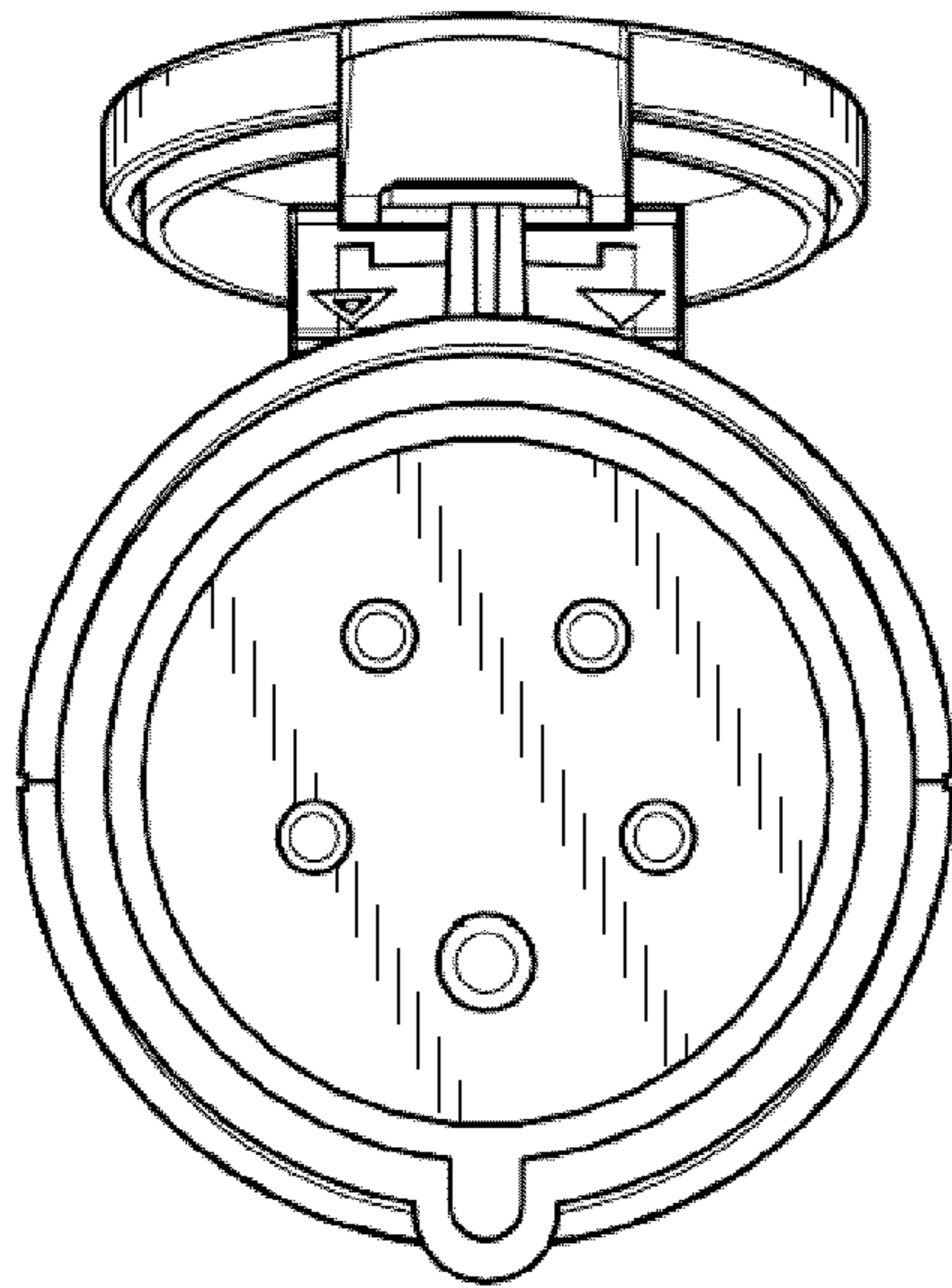
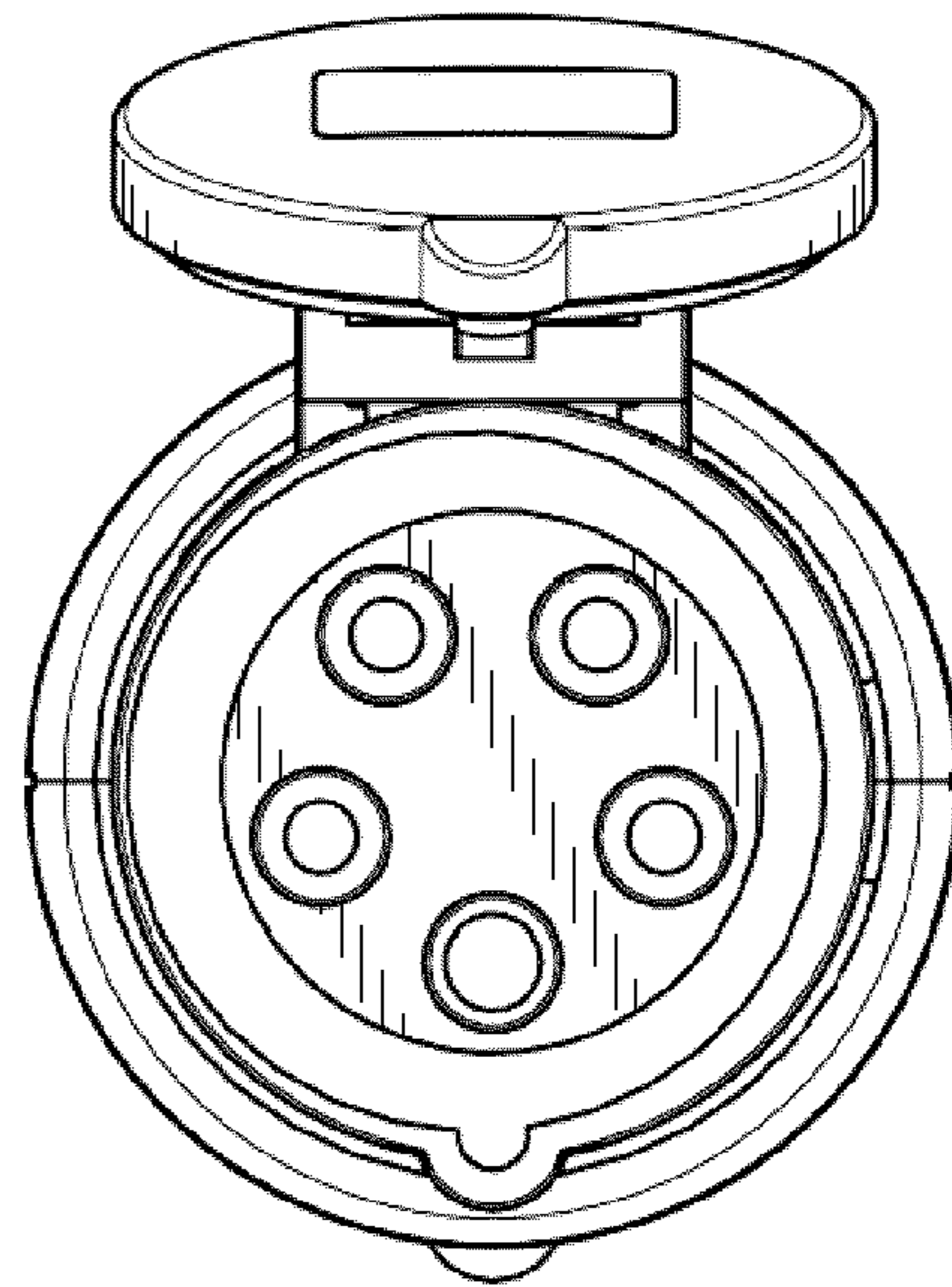


FIG. 12





*FIG. 13*



*FIG. 14*