



US00D723475S

(12) **United States Design Patent**  
**Chen et al.**

(10) **Patent No.:** **US D723,475 S**  
(45) **Date of Patent:** **\*\* Mar. 3, 2015**

(54) **ELECTRICAL CONNECTOR TERMINAL**

(71) Applicant: **Advanced-Connectek Inc.**, New Taipei (TW)

(72) Inventors: **Ching-Tien Chen**, New Taipei (TW); **Shu-Lin Duan**, New Taipei (TW); **Wei Wan**, New Taipei (TW); **Ping-Chuan Chu**, New Taipei (TW); **Xiao-Juan Qi**, New Taipei (TW)

(73) Assignee: **Advanced-Connectek Inc.**, New Taipei (TW)

(\*\*) Term: **14 Years**

(21) Appl. No.: **29/492,901**

(22) Filed: **Jun. 4, 2014**

(30) **Foreign Application Priority Data**

Feb. 7, 2014 (CN) ..... 2014 3 0025197

(51) **LOC (10) Cl.** ..... **13-03**

(52) **U.S. Cl.**  
USPC ..... **D13/154**

(58) **Field of Classification Search**  
USPC ..... D13/120, 133, 147, 154, 184, 199;  
439/567, 636, 660, 844, 849, 850-852,  
439/857, 862, 865-867, 870, 877, 884-891  
See application file for complete search history.

(56) **References Cited**

U.S. PATENT DOCUMENTS

D464,323	S	*	10/2002	Harasawa et al.	.....	D13/154
D494,545	S	*	8/2004	Kuroda et al.	.....	D13/154
D592,150	S	*	5/2009	Ogata et al.	.....	D13/154
D621,368	S	*	8/2010	Lee et al.	.....	D13/154
D660,247	S	*	5/2012	Chiang	.....	D13/154
D668,621	S	*	10/2012	Gieski	.....	D13/154

\* cited by examiner

*Primary Examiner* — Daniel Bui

(74) *Attorney, Agent, or Firm* — patenttm.us

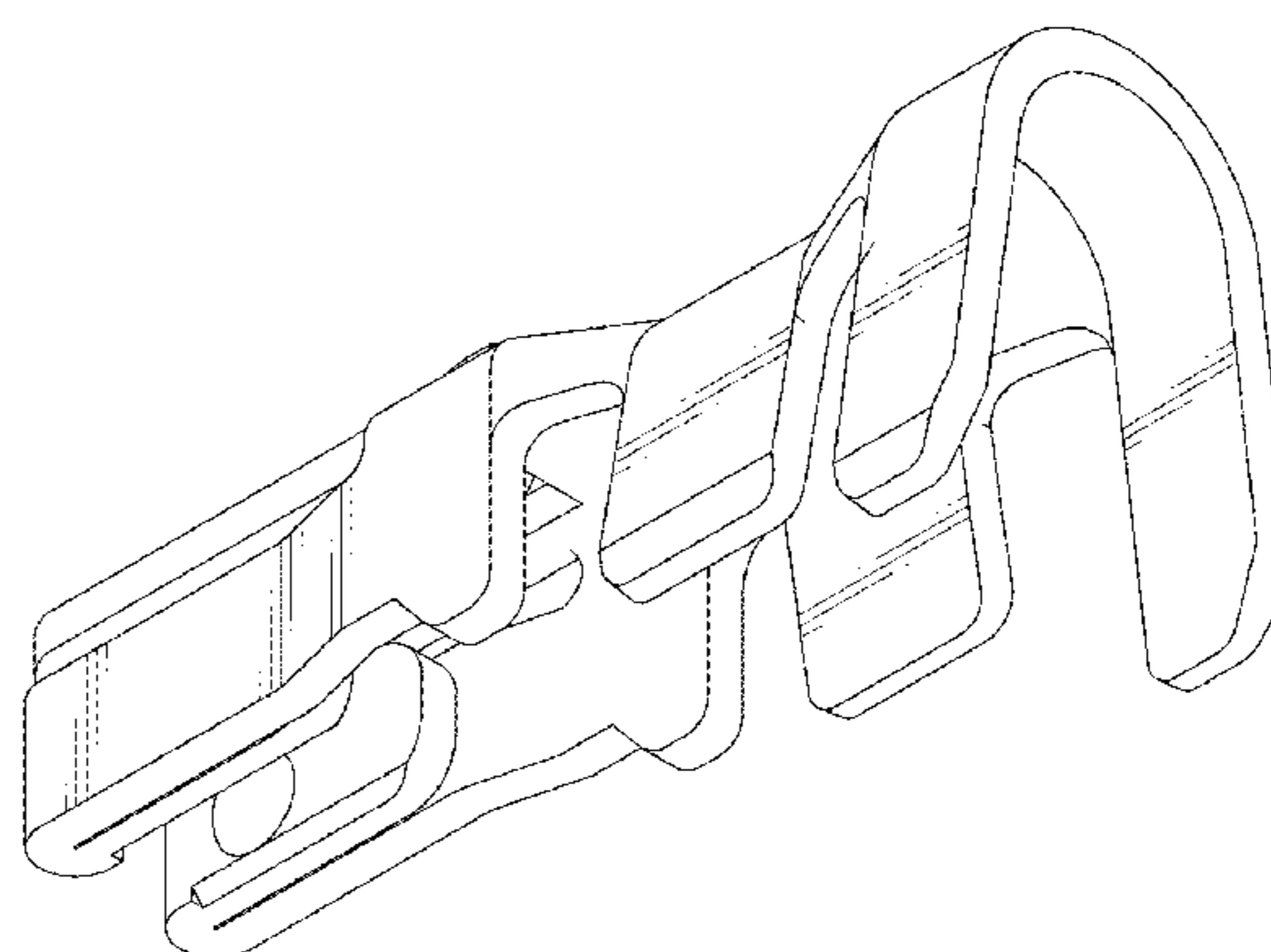
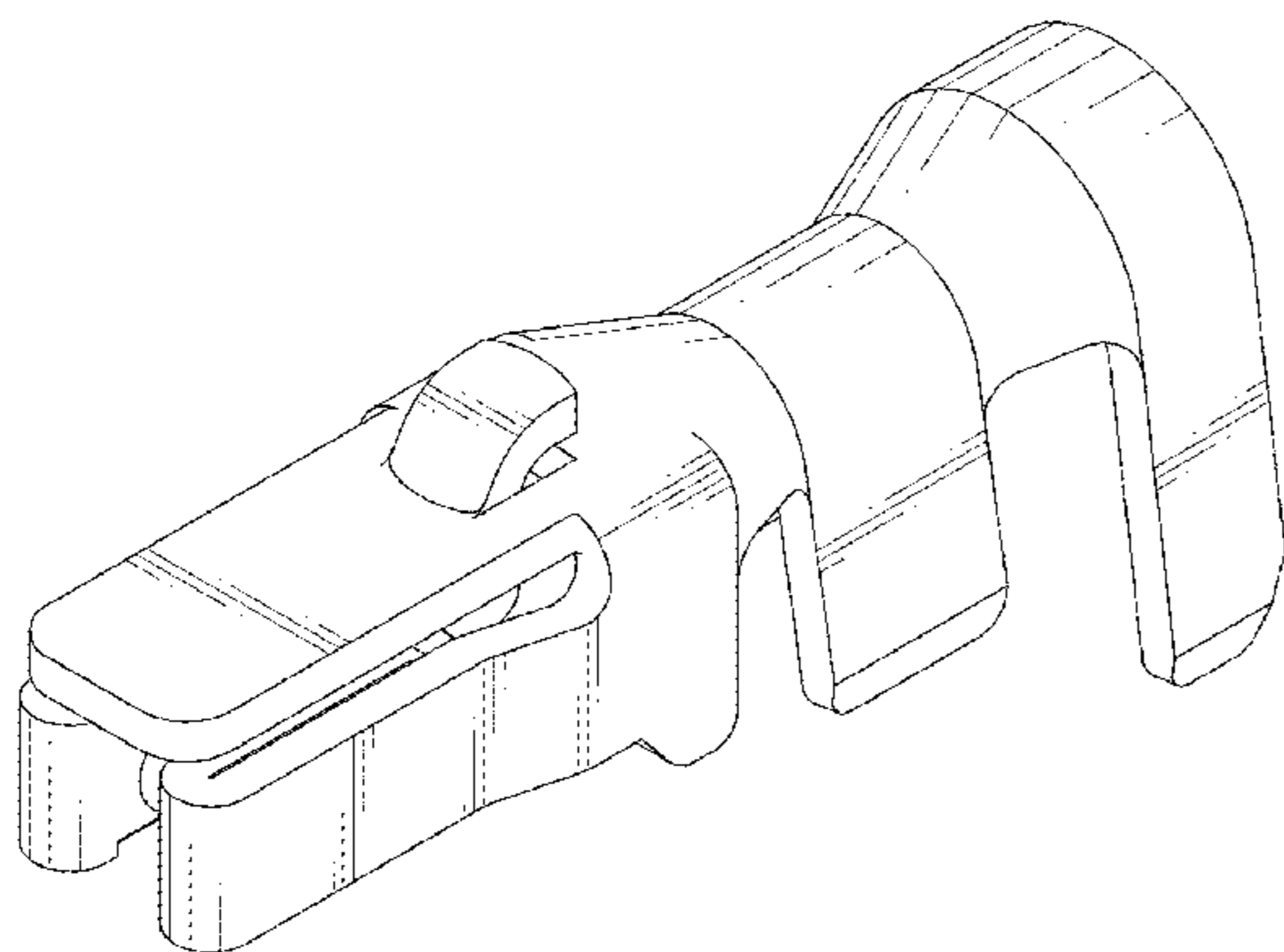
(57) **CLAIM**

The ornamental design for an electrical connector terminal, as shown.

**DESCRIPTION**

FIG. 1 is a perspective view of an electrical connector terminal showing our new design;  
FIG. 2 is a front view thereof;  
FIG. 3 is a rear view thereof;  
FIG. 4 is a left side view thereof;  
FIG. 5 is a right side view thereof;  
FIG. 6 is a top view thereof;  
FIG. 7 is a bottom view thereof; and,  
FIG. 8 is another perspective view thereof.

**1 Claim, 8 Drawing Sheets**



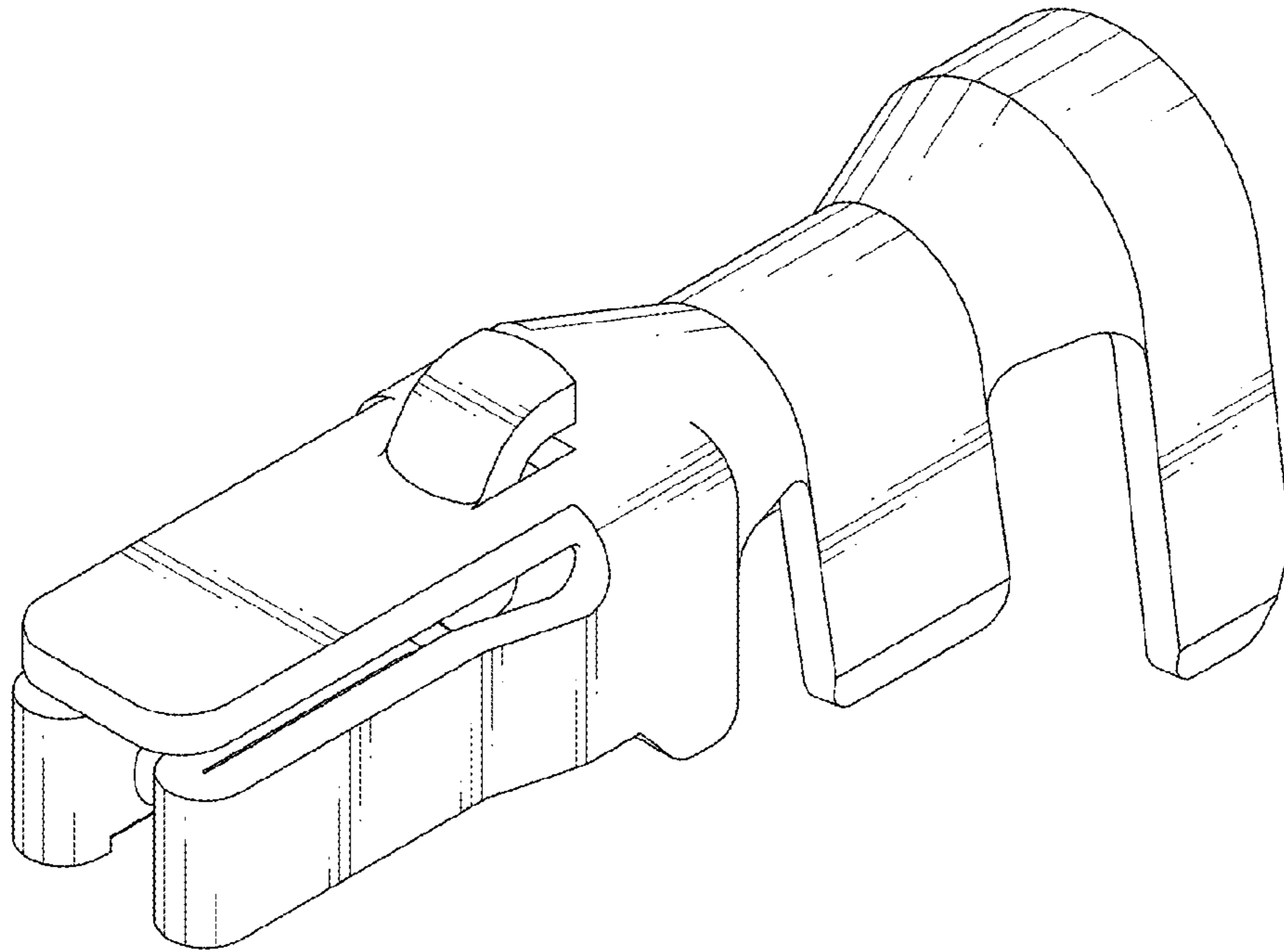


FIG.1

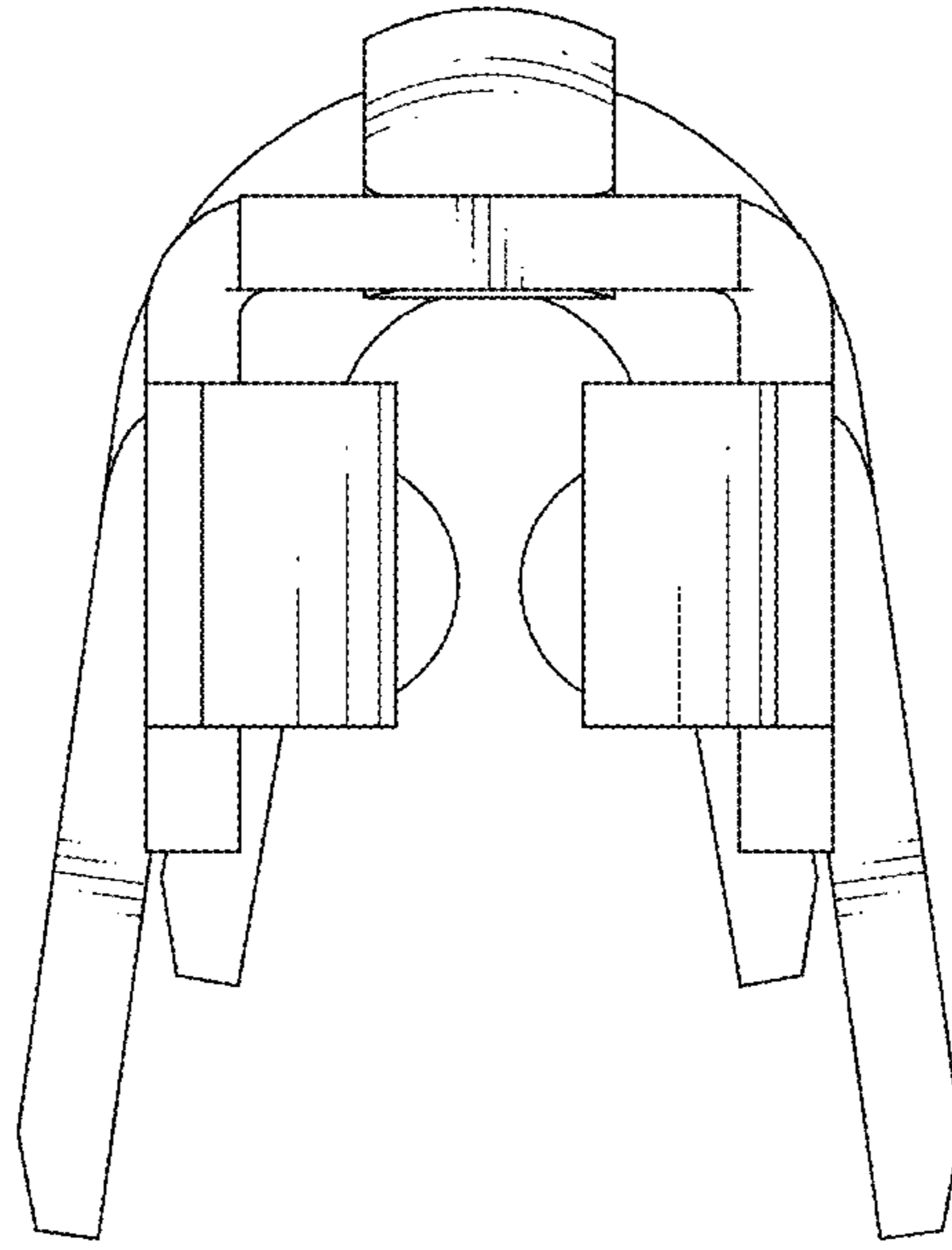


FIG.2

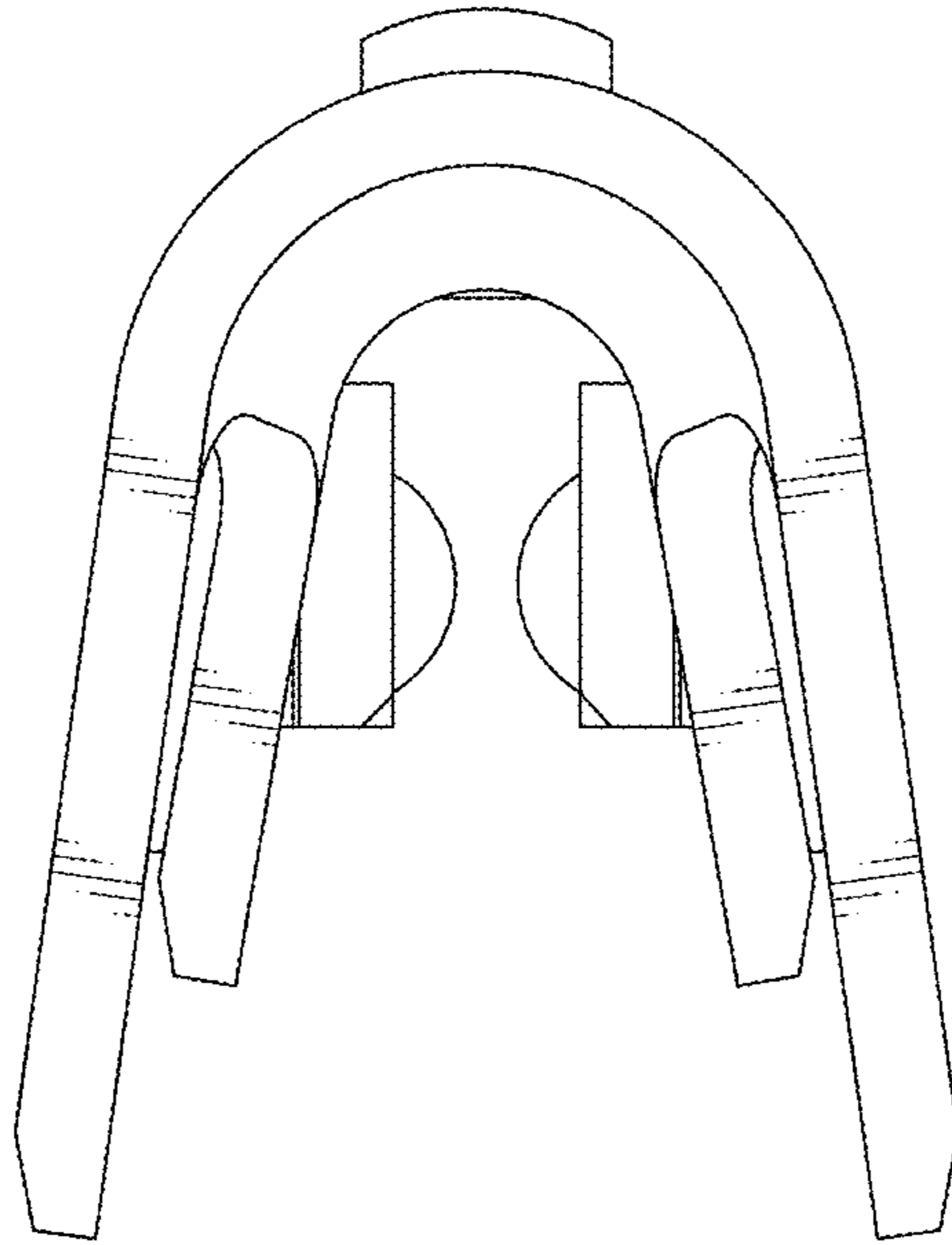


FIG.3

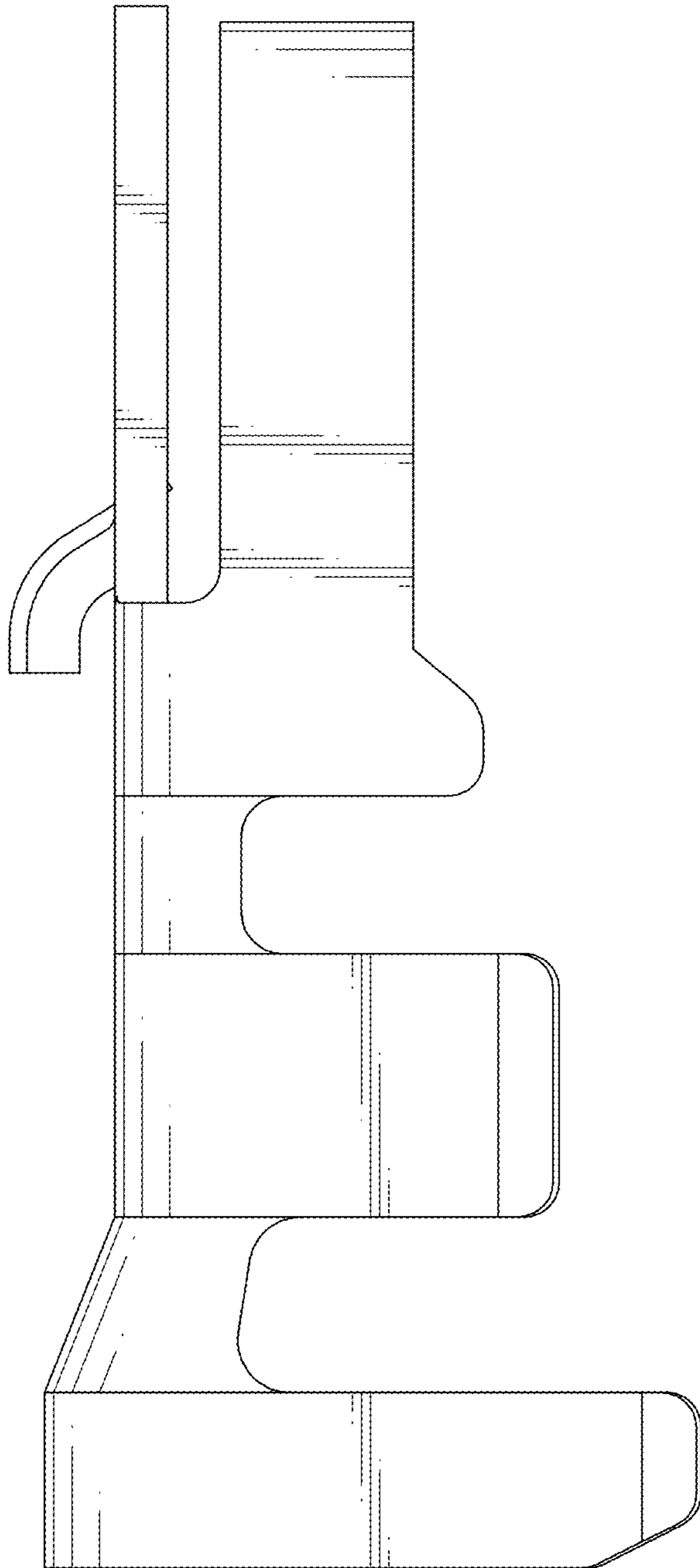


FIG. 4

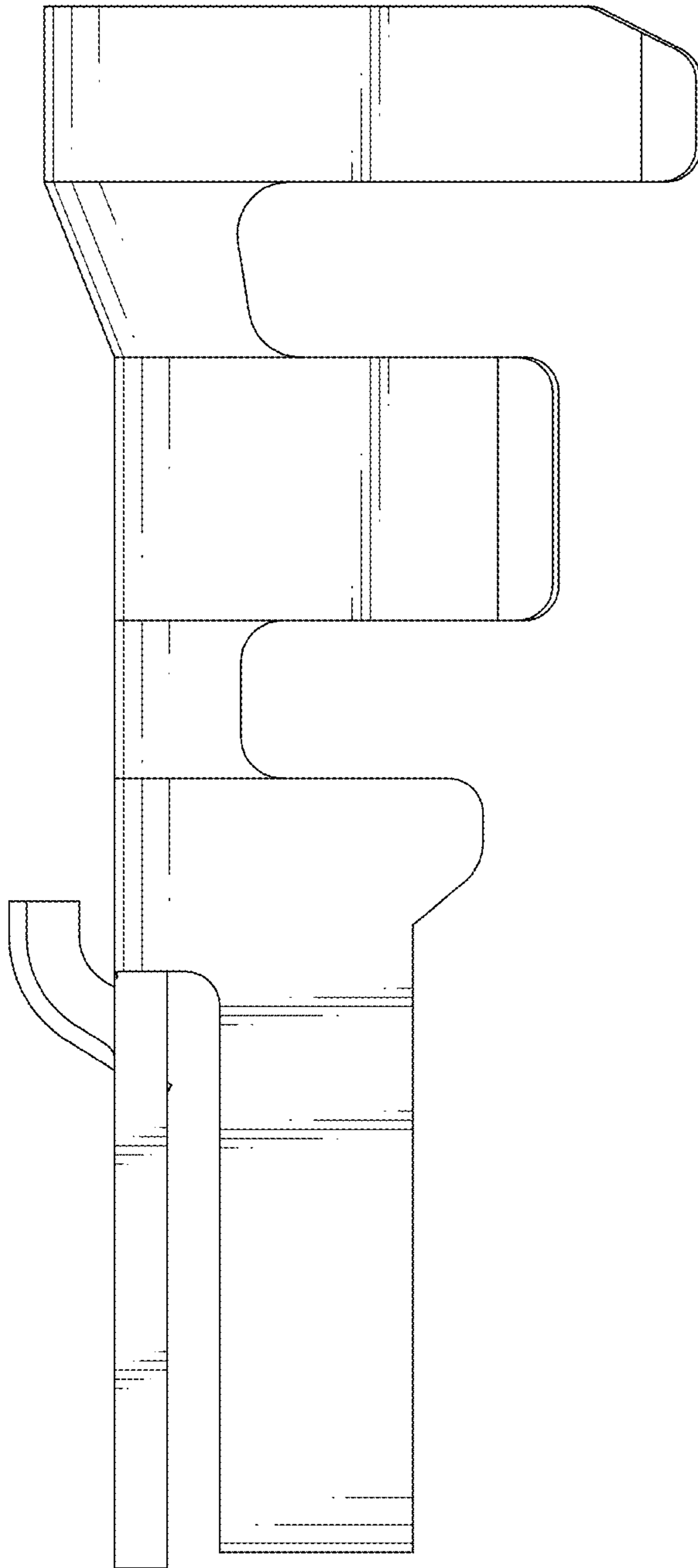


FIG.5

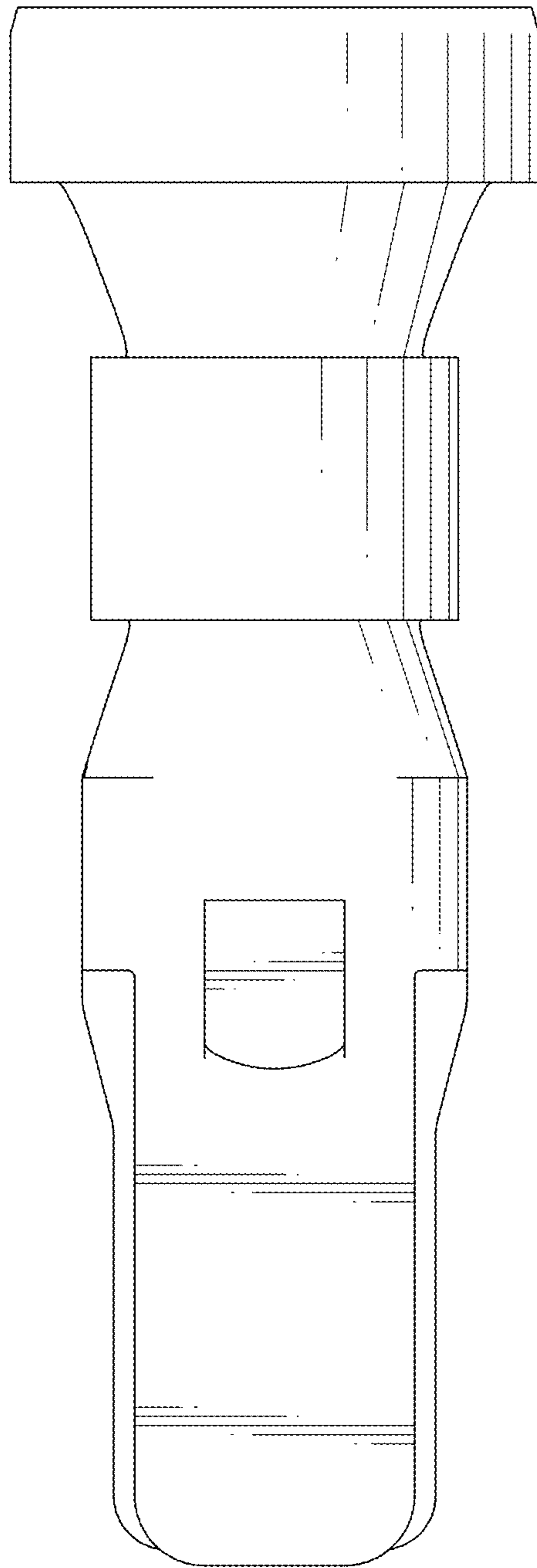


FIG.6

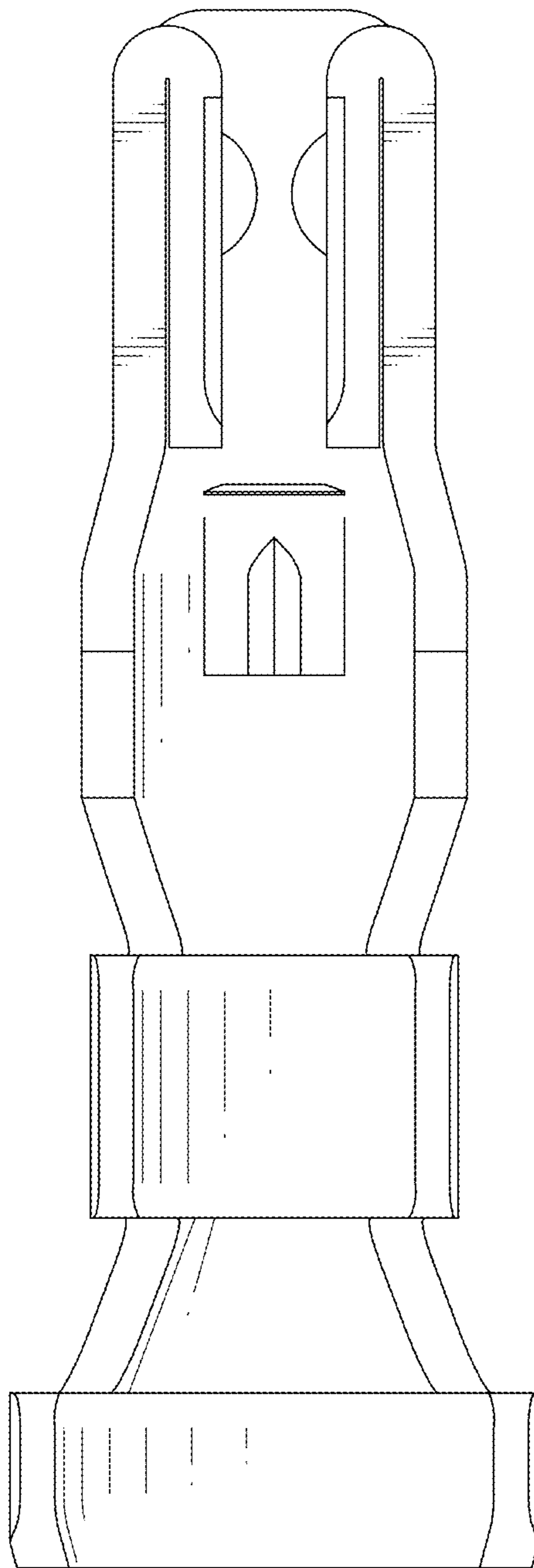


FIG. 7



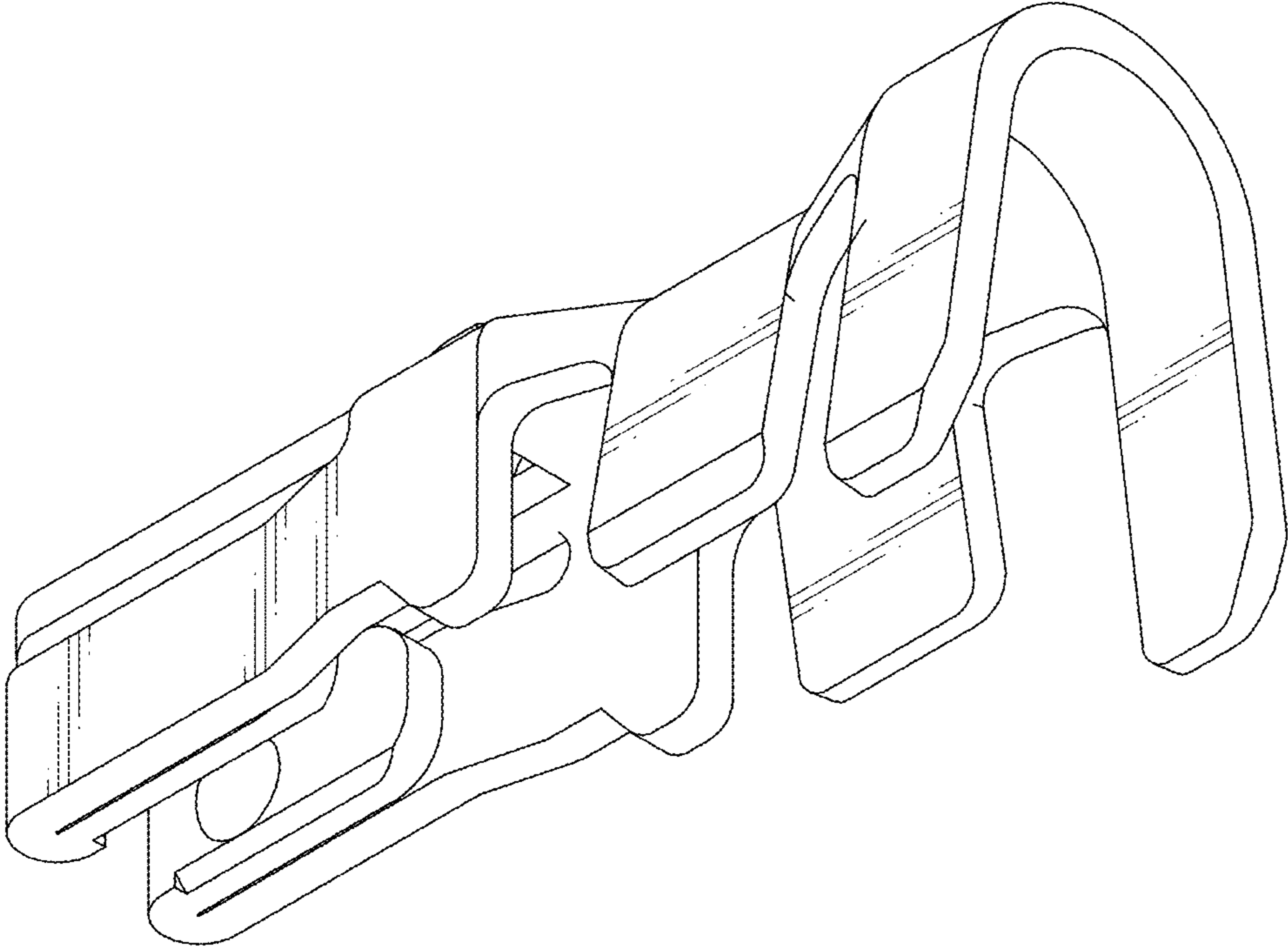


FIG.8