

US00D723474S

(12) **United States Design Patent**
Olsson et al.

(10) **Patent No.:** **US D723,474 S**
(45) **Date of Patent:** **** Mar. 3, 2015**

(54) **DEVICE CONNECTION CABLE**

(71) Applicant: **Google Inc.**, Mountain View, CA (US)

(72) Inventors: **Maj Isabelle Olsson**, San Francisco, CA (US); **Matthew Wyatt Martin**, Ross, CA (US)

(73) Assignee: **Google Inc.**, Mountain View, CA (US)

(**) Term: **14 Years**

(21) Appl. No.: **29/486,104**

(22) Filed: **Mar. 26, 2014**

Related U.S. Application Data

(62) Division of application No. 29/416,448, filed on Mar. 22, 2012, now Pat. No. Des. 705,178.

(51) **LOC (10) Cl.** **13-03**

(52) **U.S. Cl.**
USPC **D13/153**

(58) **Field of Classification Search**
USPC D13/153, 154, 147, 164, 184, 133, 123, D13/160; 439/638, 660, 499, 680, 404, 345, 439/449, 620.01, 358; 361/752; 174/75 R; 385/88, 90; 340/691.6
See application file for complete search history.

(56) **References Cited**

U.S. PATENT DOCUMENTS

D520,457 S	5/2006	Wada et al.	
D522,463 S *	6/2006	Novotney et al.	D13/154
D548,700 S *	8/2007	Ledbetter et al.	D13/154
D549,660 S *	8/2007	Zenri et al.	D13/147
7,359,208 B2 *	4/2008	Ni	361/752
D585,835 S *	2/2009	Jaqua et al.	D13/154
D588,545 S *	3/2009	Andre et al.	D13/154
D600,652 S	9/2009	Hong et al.	
D610,095 S *	2/2010	Wu et al.	D13/147

(Continued)

Primary Examiner — Ian Simmons

Assistant Examiner — Rhea Shields

(74) *Attorney, Agent, or Firm* — Lerner, David, Littenberg, Krumholz & Mentlik, LLP

(57) **CLAIM**

The ornamental design for a device connection cable, as shown and described.

DESCRIPTION

FIG. 1 is a front perspective view of a device connection cable according to a first embodiment of our design;

FIG. 2 is a front elevation view of the device connection cable of FIG. 1;

FIG. 3 is a back elevation view of the device connection cable of FIG. 1;

FIG. 4 is a right elevation view of the device connection cable of FIG. 1;

FIG. 5 is a left elevation view of the device connection cable of FIG. 1;

FIG. 6 is a top elevation view of the device connection cable of FIG. 1;

FIG. 7 is a bottom elevation view of the device connection cable of FIG. 1;

FIG. 8 is a front perspective view of a device connection cable according to a second embodiment of our design;

FIG. 9 is a back elevation view of the device connection cable of FIG. 8;

FIG. 10 is a front elevation view of the device connection cable of FIG. 8;

FIG. 11 is a right elevation view of the device connection cable of FIG. 8;

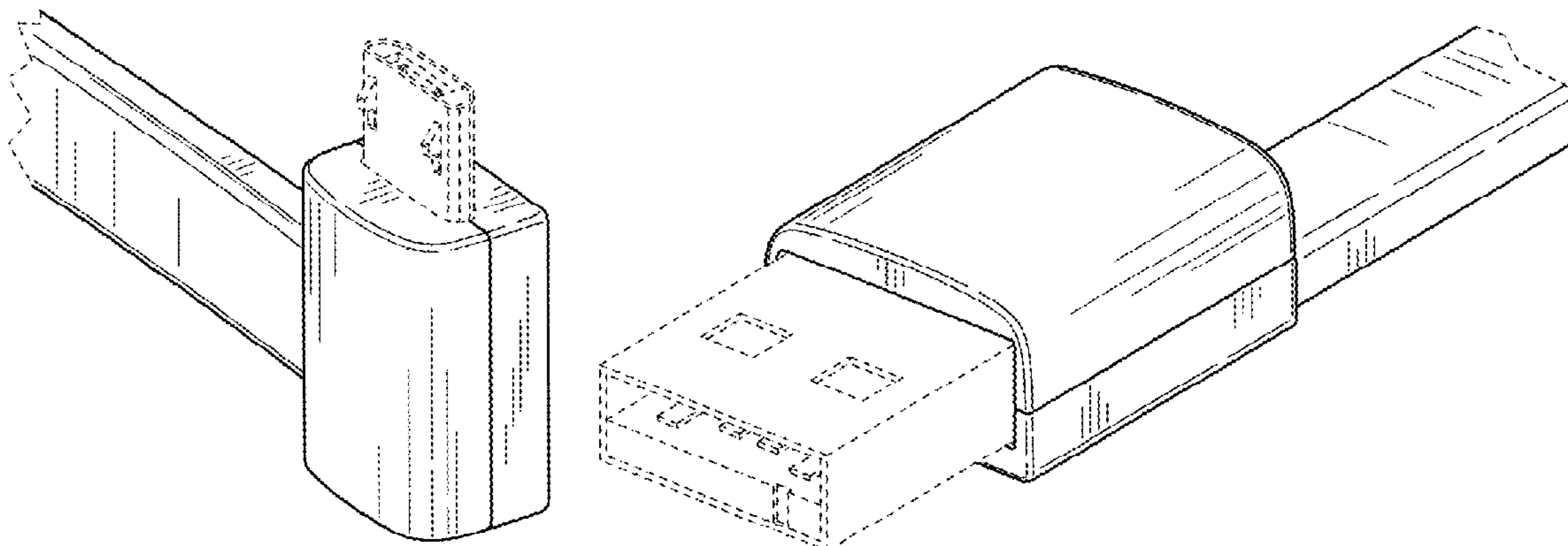
FIG. 12 is a left elevation view of the device connection cable of FIG. 8;

FIG. 13 is a top elevation view of the device connection cable of FIG. 8; and,

FIG. 14 is a bottom elevation view of the device connection cable of FIG. 8.

In the drawings, the broken lines depict unclaimed subject matter. The jagged broken lines depict the boundaries of the claim and form no part thereof.

1 Claim, 5 Drawing Sheets



(56)

References Cited

U.S. PATENT DOCUMENTS

D621,362 S	8/2010	Huang et al.					
D622,221 S	8/2010	Lin					
7,909,659 B2 *	3/2011	Cheng	439/680				
D636,337 S	4/2011	Smith et al.					
8,262,296 B2 *	9/2012	Liao et al.	385/90				
D680,077 S	4/2013	Richards et al.					
8,493,228 B2 *	7/2013	Astigarraga et al.	340/691.6				
2005/0009404 A1 *	1/2005	Lee	439/638				
				2006/0264114 A1 *	11/2006	Novotney et al.	439/660
				2010/0190373 A1 *	7/2010	Yeh	439/499
				2011/0061933 A1 *	3/2011	Prest	174/75 R
				2011/0130045 A1 *	6/2011	Su et al.	439/660
				2011/0250783 A1 *	10/2011	Su et al.	439/404
				2012/0214326 A1 *	8/2012	Ko et al.	439/345
				2012/0231653 A1 *	9/2012	Ardisana et al.	439/449
				2012/0243834 A1 *	9/2012	Yu et al.	385/88
				2013/0171875 A1 *	7/2013	Kwon	439/620.01
				2013/0273767 A1 *	10/2013	Phan et al.	439/358

* cited by examiner

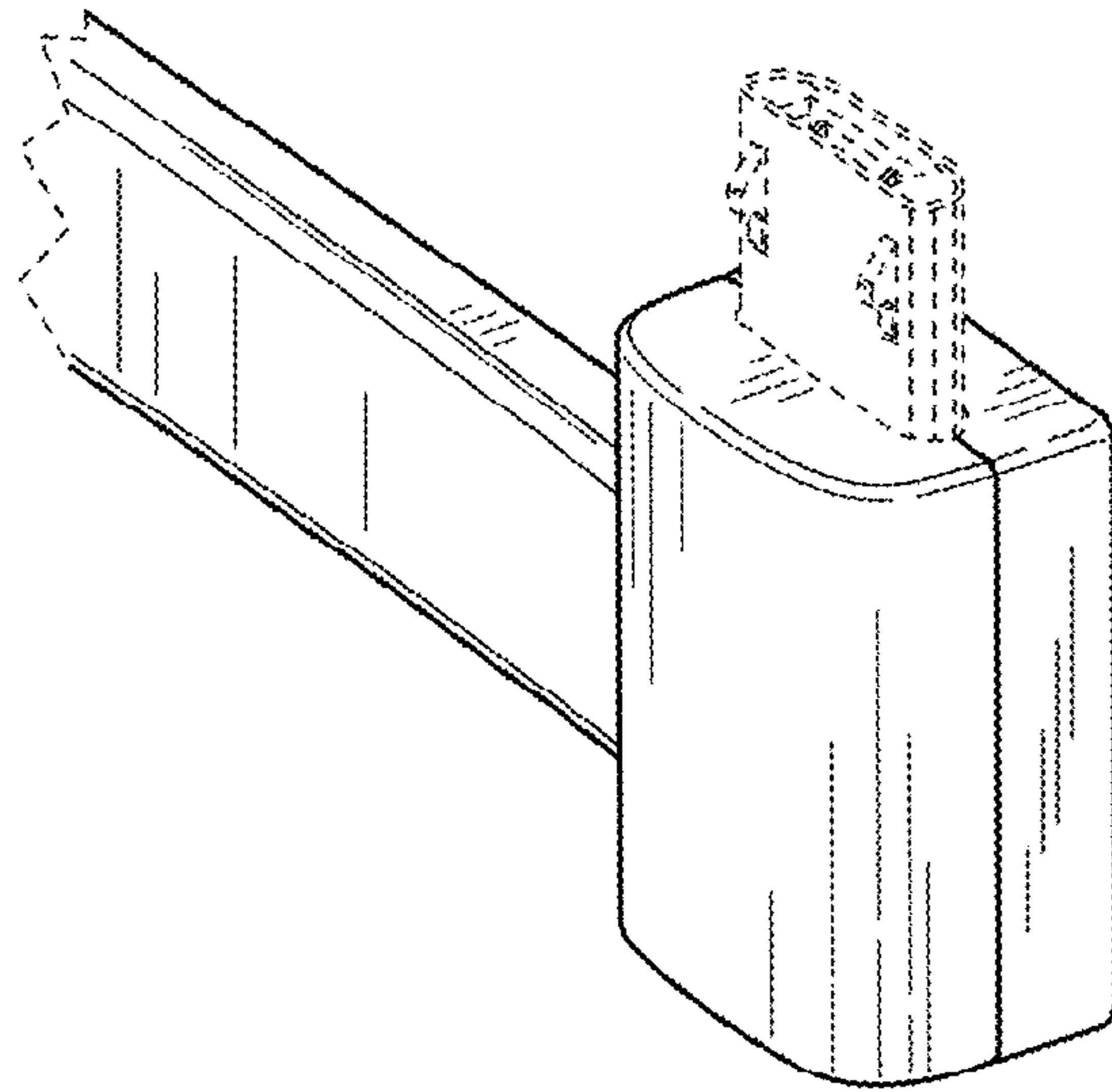


FIG. 1

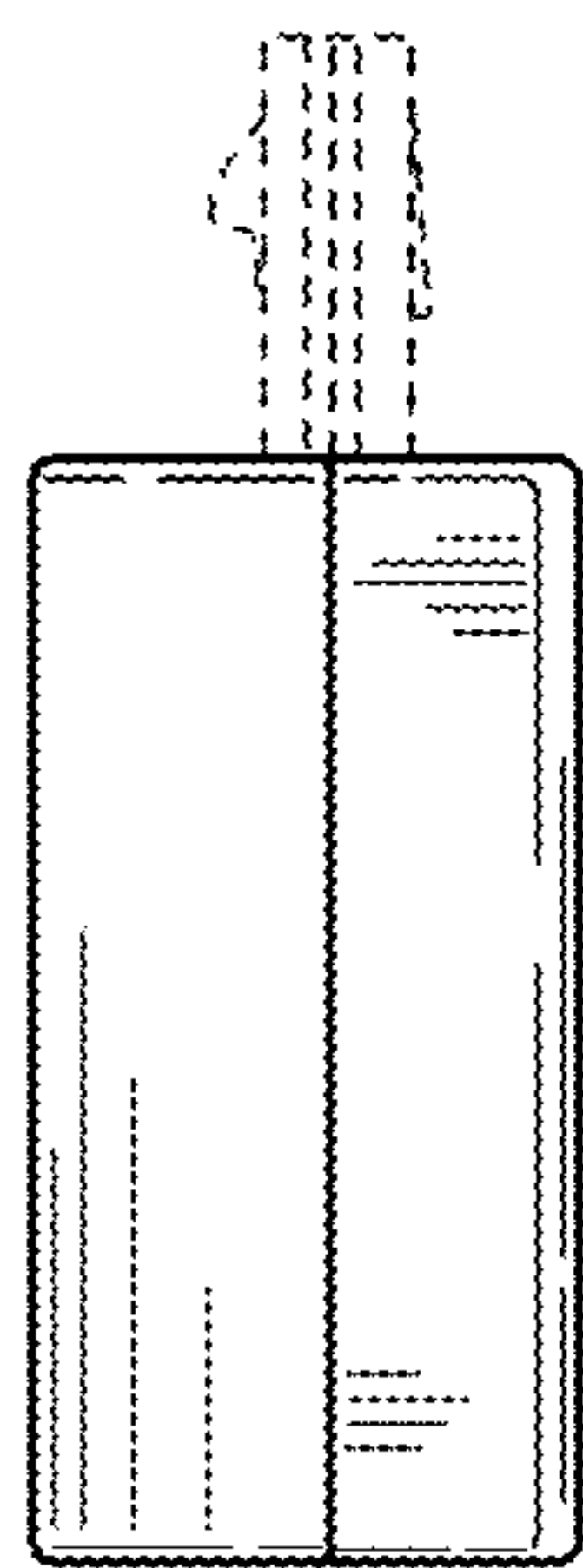


FIG. 2

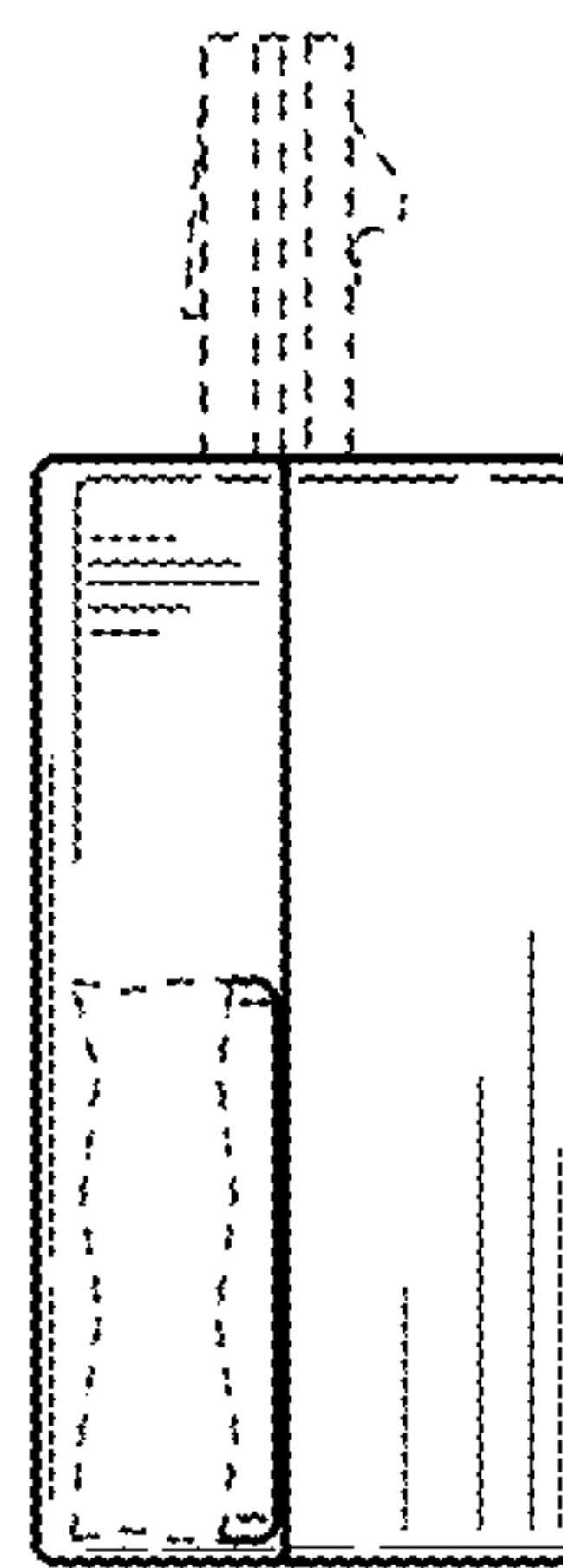


FIG. 3

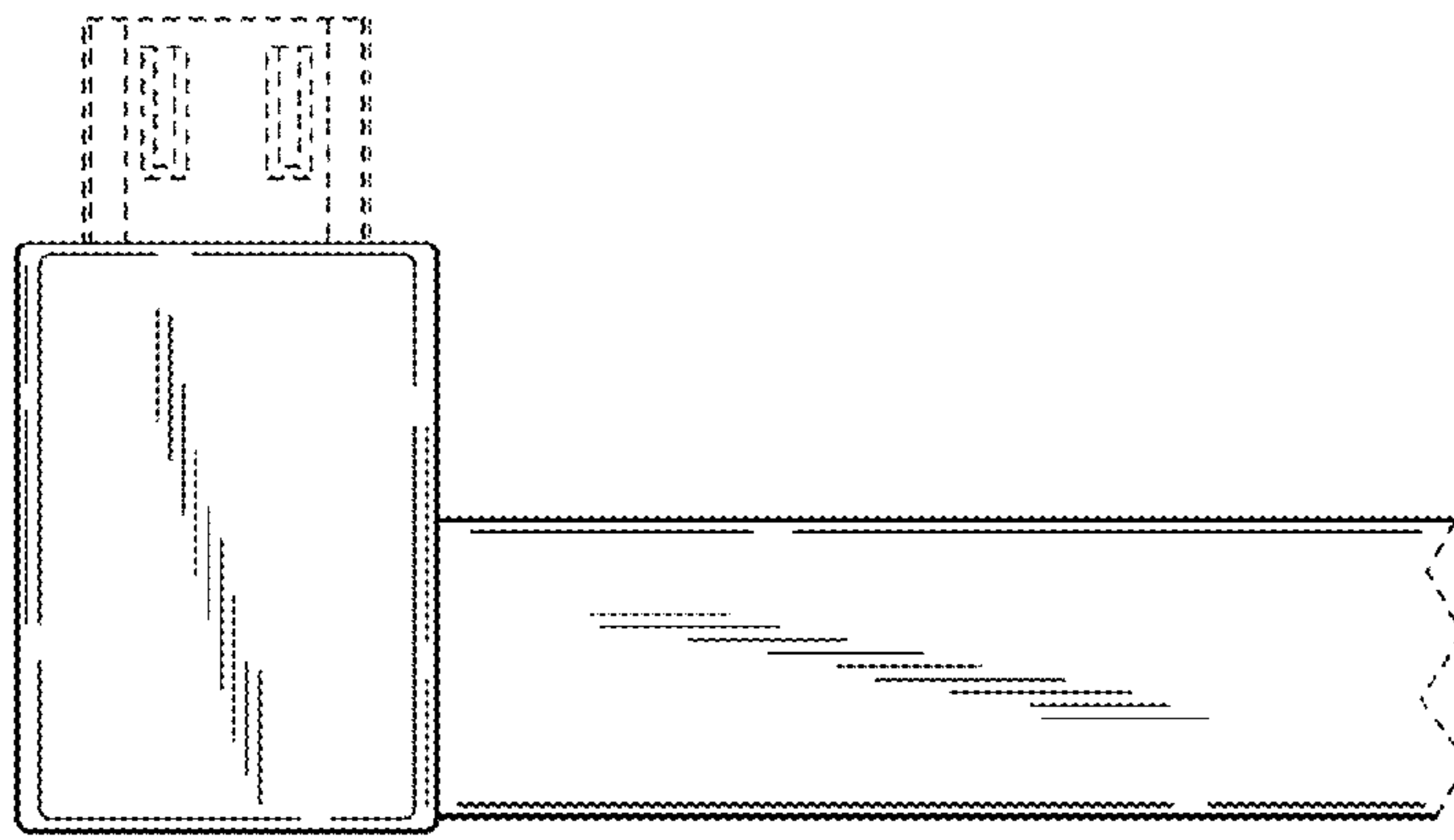


FIG. 4

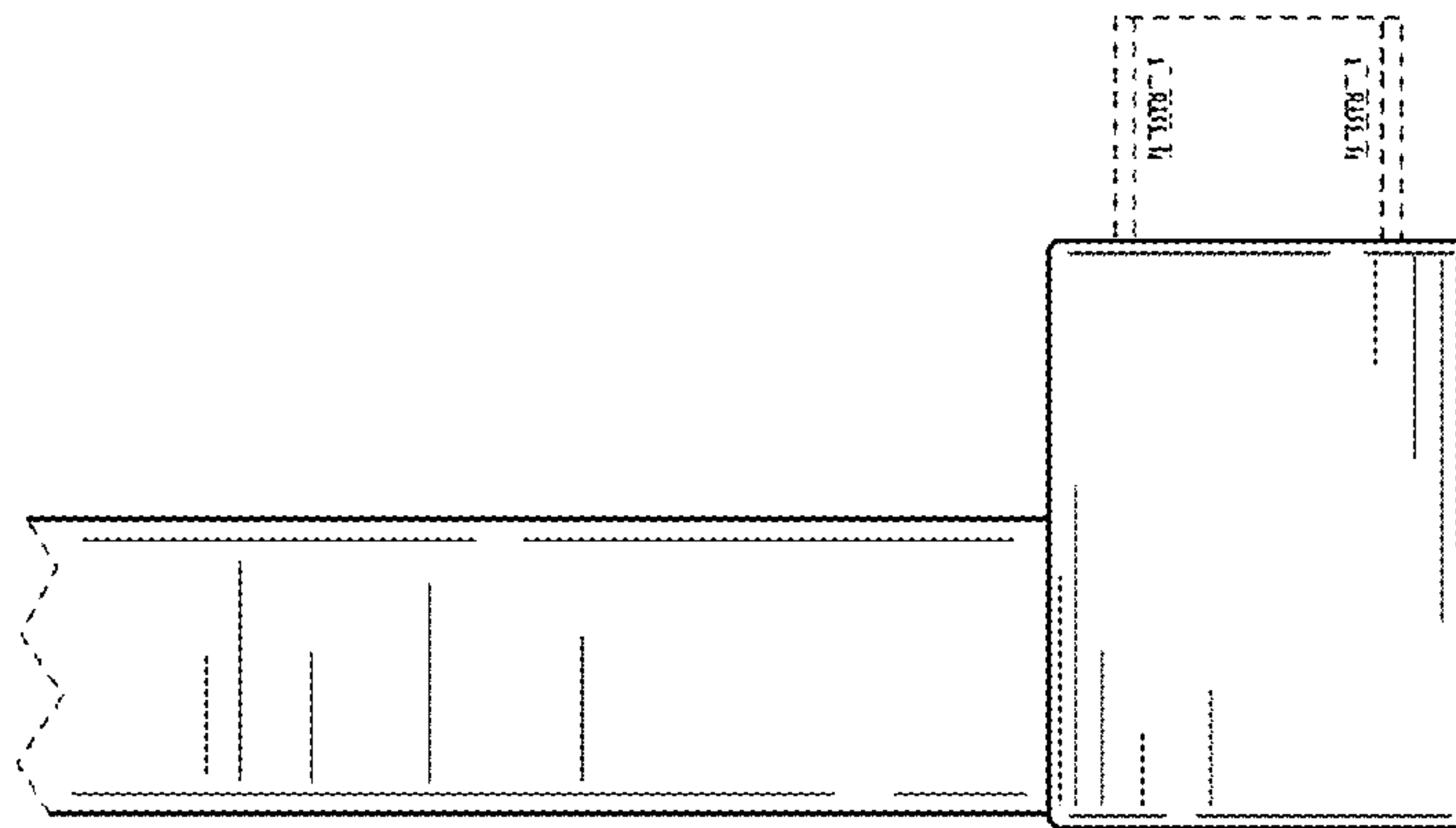


FIG. 5

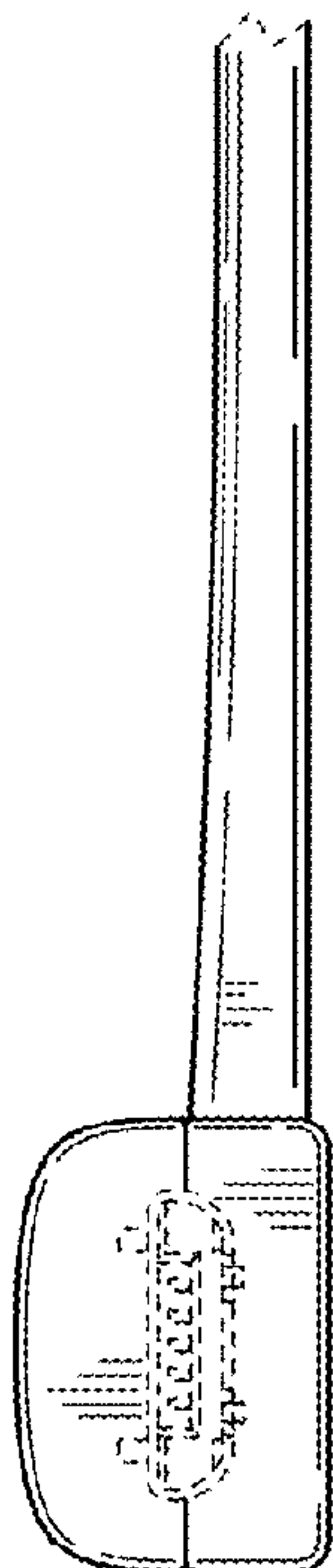


FIG. 6

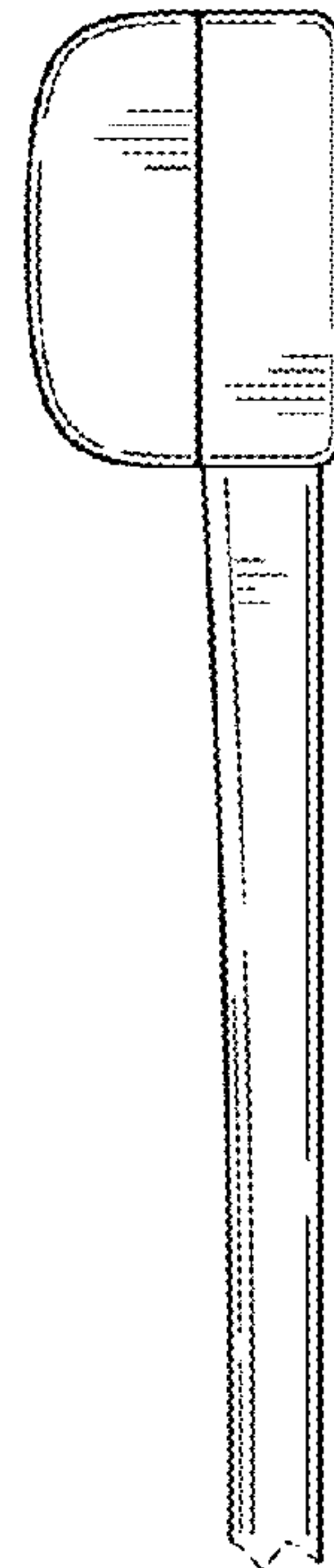


FIG. 7

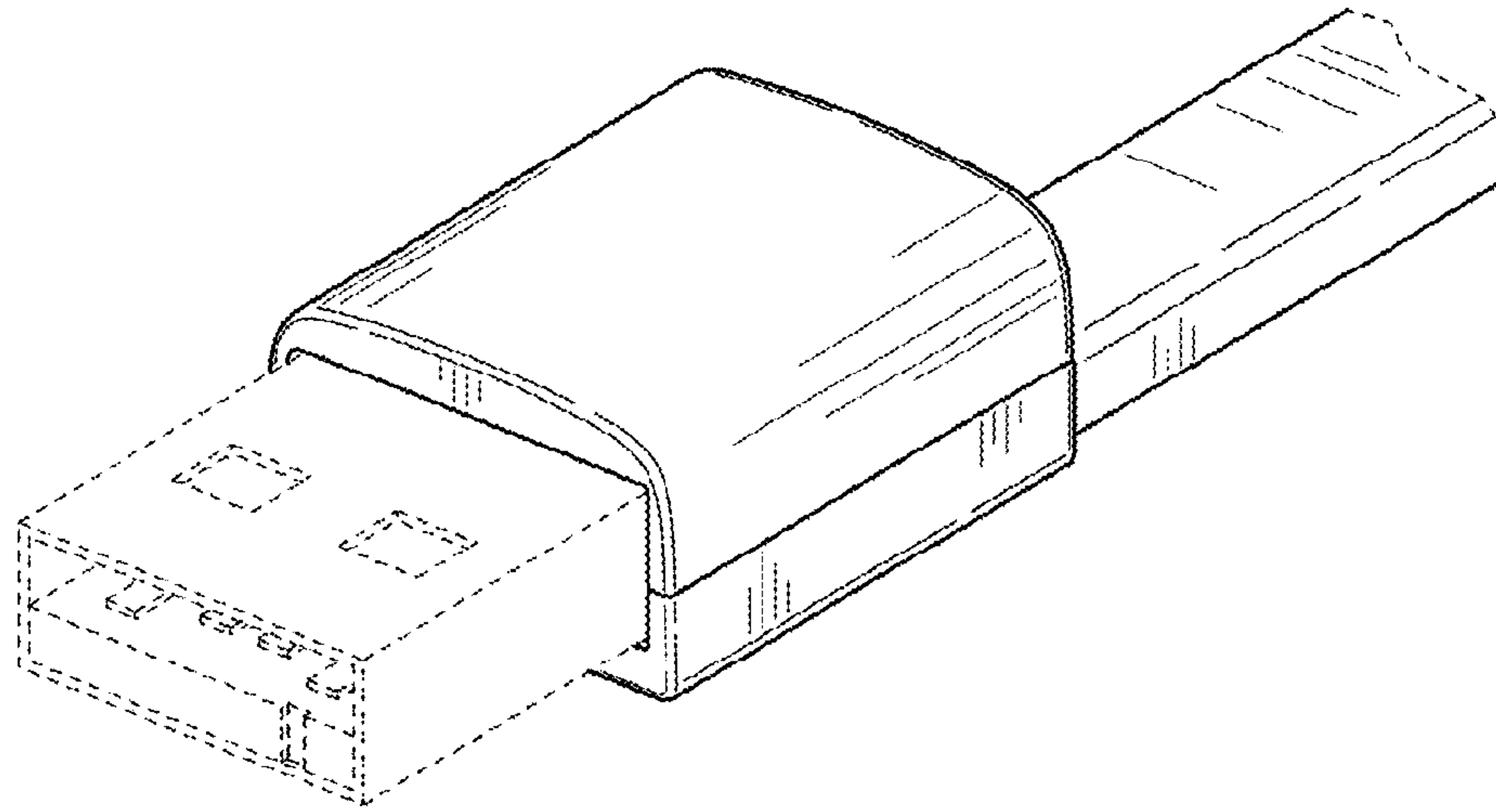


FIG. 8

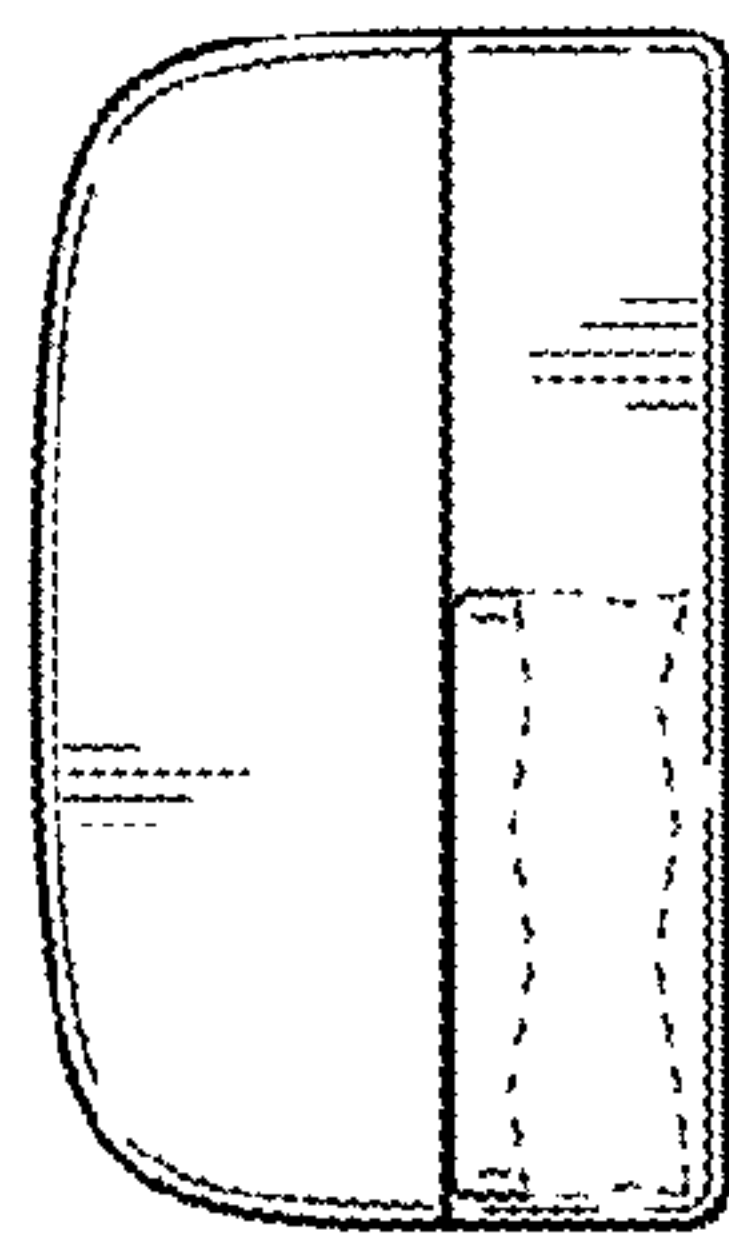


FIG. 9

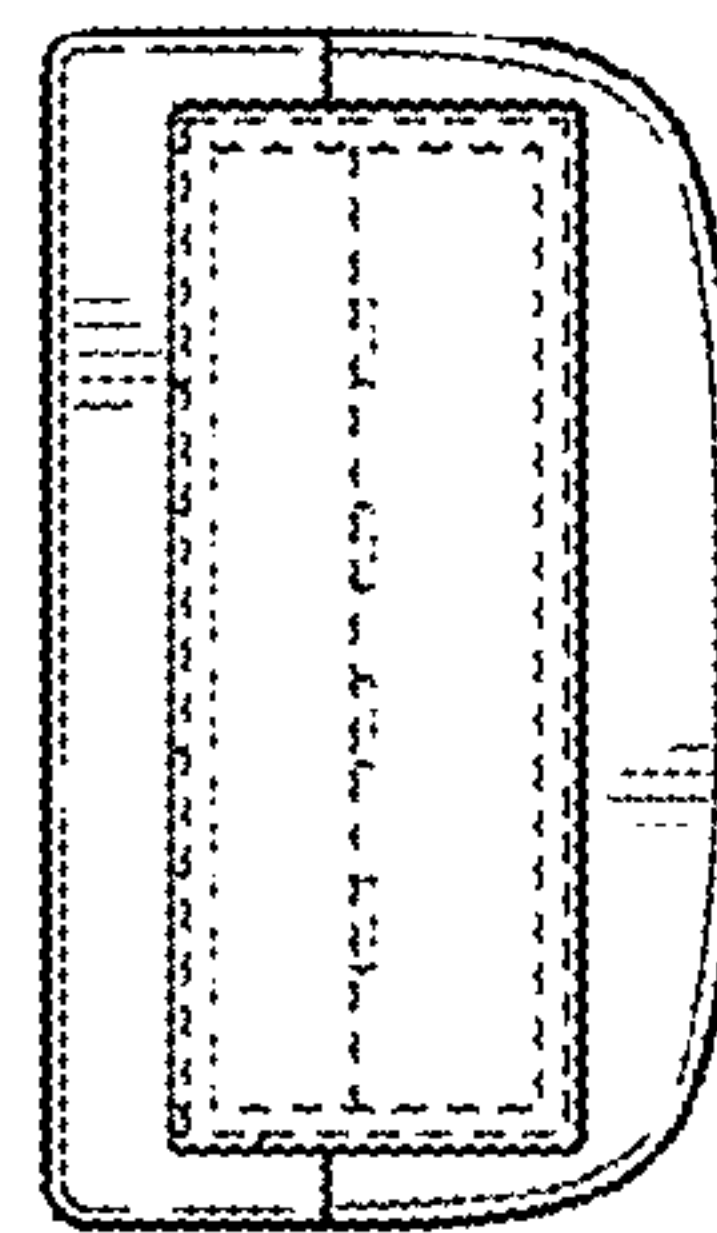


FIG. 10

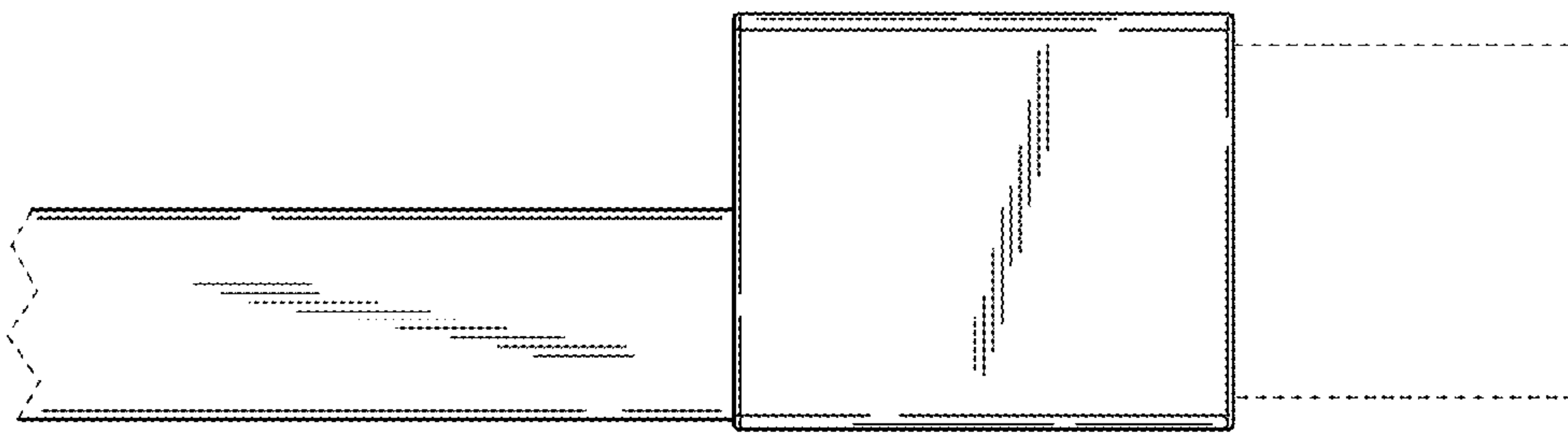


FIG. 11

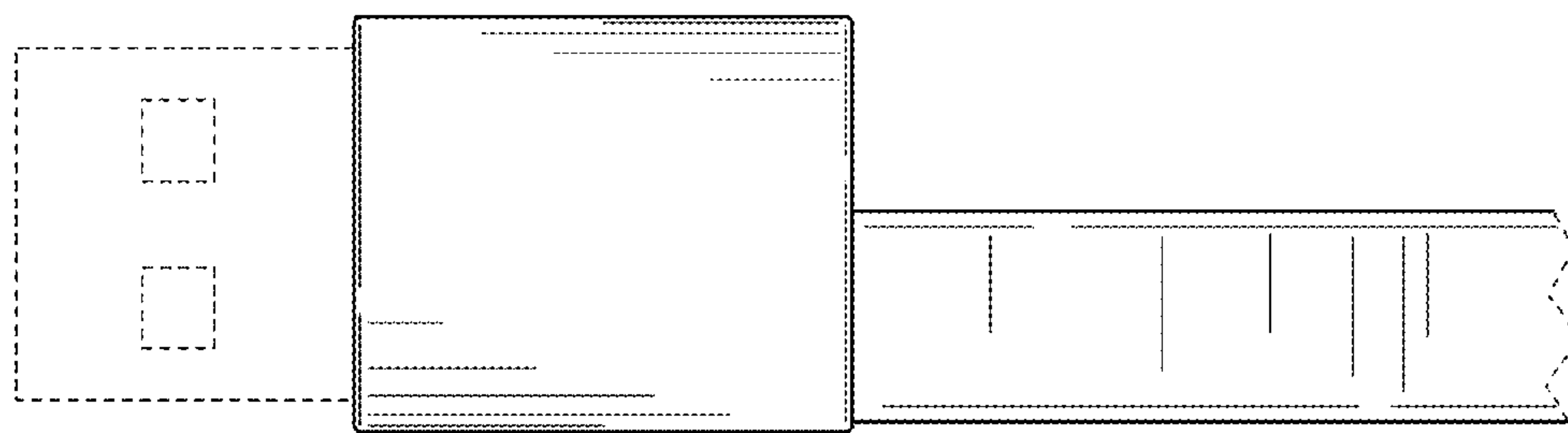


FIG. 12

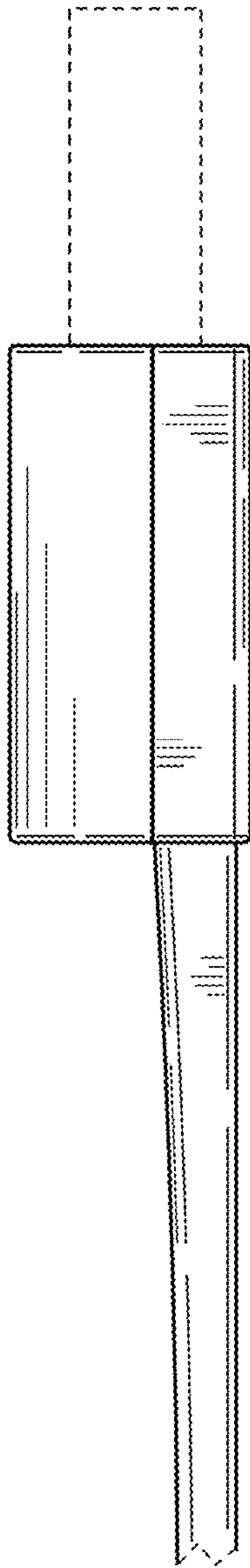


FIG. 13

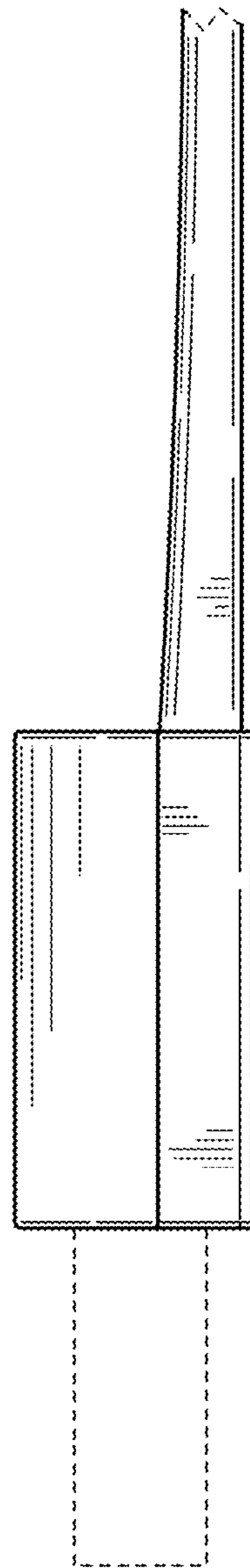


FIG. 14