



US00D723473S

(12) **United States Design Patent**  
**Hagarty**

(10) **Patent No.:** **US D723,473 S**

(45) **Date of Patent:** **\*\* Mar. 3, 2015**

(54) **JUNCTION BOX WITH CABLE KEEPERS**

D468,697 S \* 1/2003 Straub, Jr. .... D13/152  
D493,695 S 8/2004 Wengrower  
6,858,802 B2 2/2005 Hagarty  
D539,751 S \* 4/2007 Kiely ..... D13/152

(71) Applicant: **RANDL Industries, Inc.**, Spokane Valley, WA (US)

(Continued)

(72) Inventor: **Robert J. Hagarty**, Spokane, WA (US)

**OTHER PUBLICATIONS**

(73) Assignee: **RANDL Industries, Inc.**, Spokane, WA (US)

Hagarty, R.J., "Outlet Box Adapter," U.S. Appl. No. 29/393,963, filed Jun. 10, 2011.

(\*\*) Term: **14 Years**

(Continued)

(21) Appl. No.: **29/491,788**

*Primary Examiner* — Ian Simmons

*Assistant Examiner* — Rhea Shields

(22) Filed: **May 23, 2014**

(74) *Attorney, Agent, or Firm* — Christensen O'Connor Johnson Kindness PLLC

**Related U.S. Application Data**

(63) Continuation-in-part of application No. 29/487,306, filed on Apr. 7, 2014, and a continuation-in-part of application No. 29/486,897, filed on Apr. 3, 2014.

(57) **CLAIM**

The ornamental design for a junction box with cable keepers, as shown and described.

(51) **LOC (10) Cl.** ..... **13-03**

**DESCRIPTION**

(52) **U.S. Cl.**  
USPC ..... **D13/152**

(58) **Field of Classification Search**  
USPC ..... D13/152, 153, 155, 156, 137.1, 137.4, D13/139.3, 139.2, 133, 184; 220/3.2, 3.3, 220/3.4-3.9, 3.92, 3.94; 174/58, 50.56, 51; 439/675, 668, 623

See application file for complete search history.

FIG. 1 is a perspective view of a junction box with cable keepers in accordance with the present design;  
FIG. 2 is a front view of the junction box with cable keepers shown in FIG. 1;  
FIG. 3 is a rear view of the junction box with cable keepers shown in FIG. 1;  
FIG. 4 is a plan view of the junction box with cable keepers shown in FIG. 1;  
FIG. 5 is a bottom view of the junction box with cable keepers shown in FIG. 1;  
FIG. 6 is a left side view of the junction box with cable keepers shown in FIG. 1; and,  
FIG. 7 is a right side view of the junction box with cable keepers shown in FIG. 1.

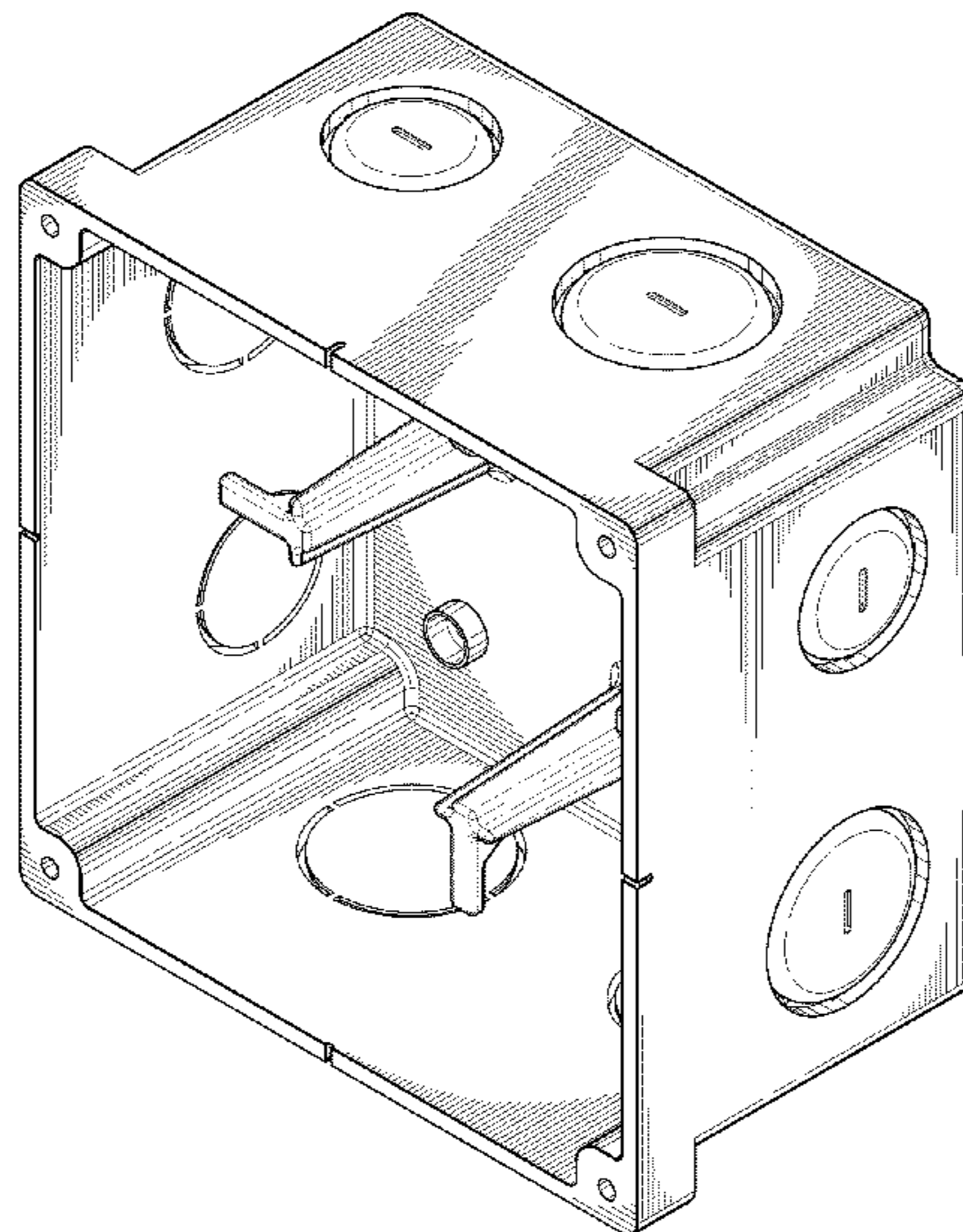
In the drawings, the broken lines depict unclaimed subject matter only and form no part of the claimed design.

(56) **References Cited**

**U.S. PATENT DOCUMENTS**

3,023,920 A \* 3/1962 Cook et al. .... 220/3.6  
4,790,505 A 12/1988 Rose  
D342,938 S 1/1994 Cheatham  
D379,622 S 6/1997 Lynn  
6,066,803 A 5/2000 Hagarty  
6,103,972 A 8/2000 Hagarty  
6,379,166 B1 4/2002 Hagarty  
6,384,334 B1 5/2002 Webb

**1 Claim, 6 Drawing Sheets**



(56)

**References Cited**

U.S. PATENT DOCUMENTS

D540,654	S	4/2007	Aubert Capella	
7,271,336	B2	9/2007	Dinh	
D555,108	S	11/2007	Strong	
D595,659	S *	7/2009	Maurer et al. ....	D13/152
D601,096	S *	9/2009	Vigorito et al. ....	D13/152
8,253,040	B2	8/2012	Hopkins	
D676,814	S *	2/2013	Paul .....	D13/152
D677,634	S *	3/2013	Korcz et al. ....	D13/152
D679,252	S *	4/2013	Wagner et al. ....	D13/152
D684,935	S *	6/2013	DeCosta .....	D13/152
D698,737	S	2/2014	Hagarty	
D702,198	S *	4/2014	Gretz .....	D13/184

OTHER PUBLICATIONS

Hagarty, R.J., "Plaster Ring," U.S. Appl. No. 29/424,576, filed Jun. 13, 2012.

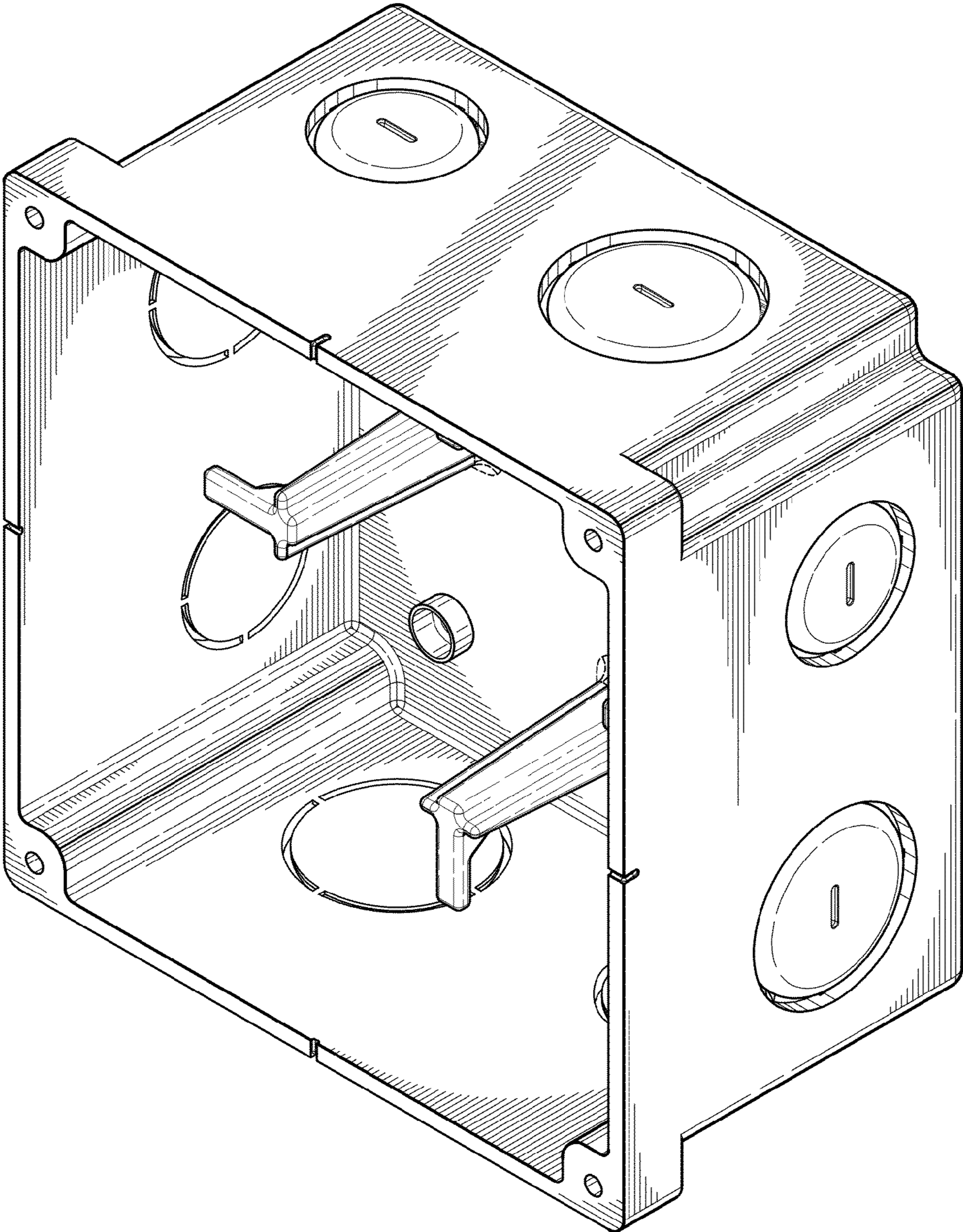
Hagarty, R.J., "Plaster Ring," U.S. Appl. No. 29/447,297, filed Mar. 1, 2013.

Hagarty, R.J., "Plaster Ring With Wide Flange," U.S. Appl. No. 29/471,962, filed Nov. 6, 2013.

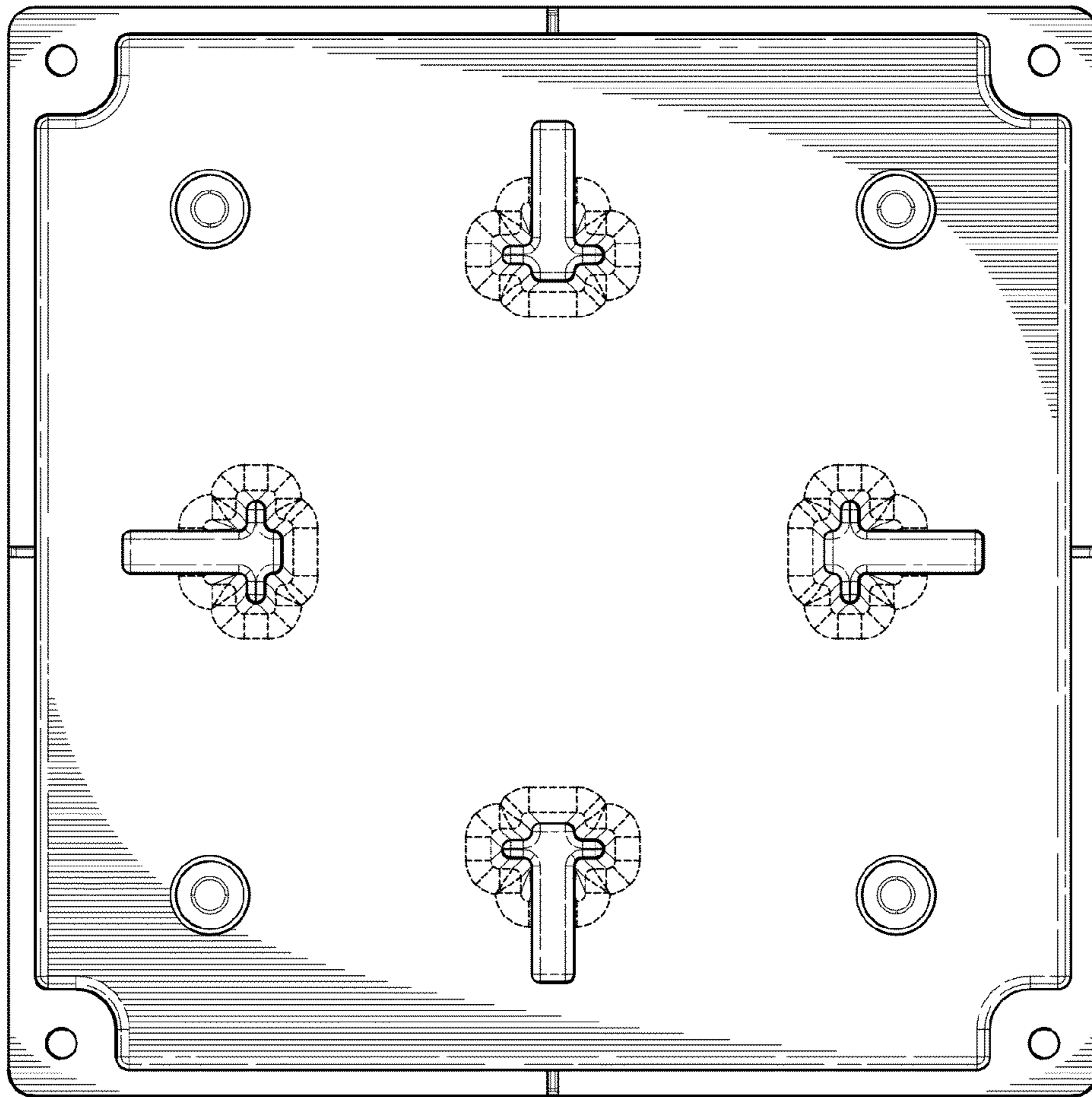
Hagarty, R.J., "Plaster Ring With Off-Center Aperture," U.S. Appl. No. 29/471,963, filed Nov. 6, 2013.

Hagarty, R.J., "Junction Box With Cable Management," U.S. Appl. No. 29/486,897, filed Apr. 3, 2014.

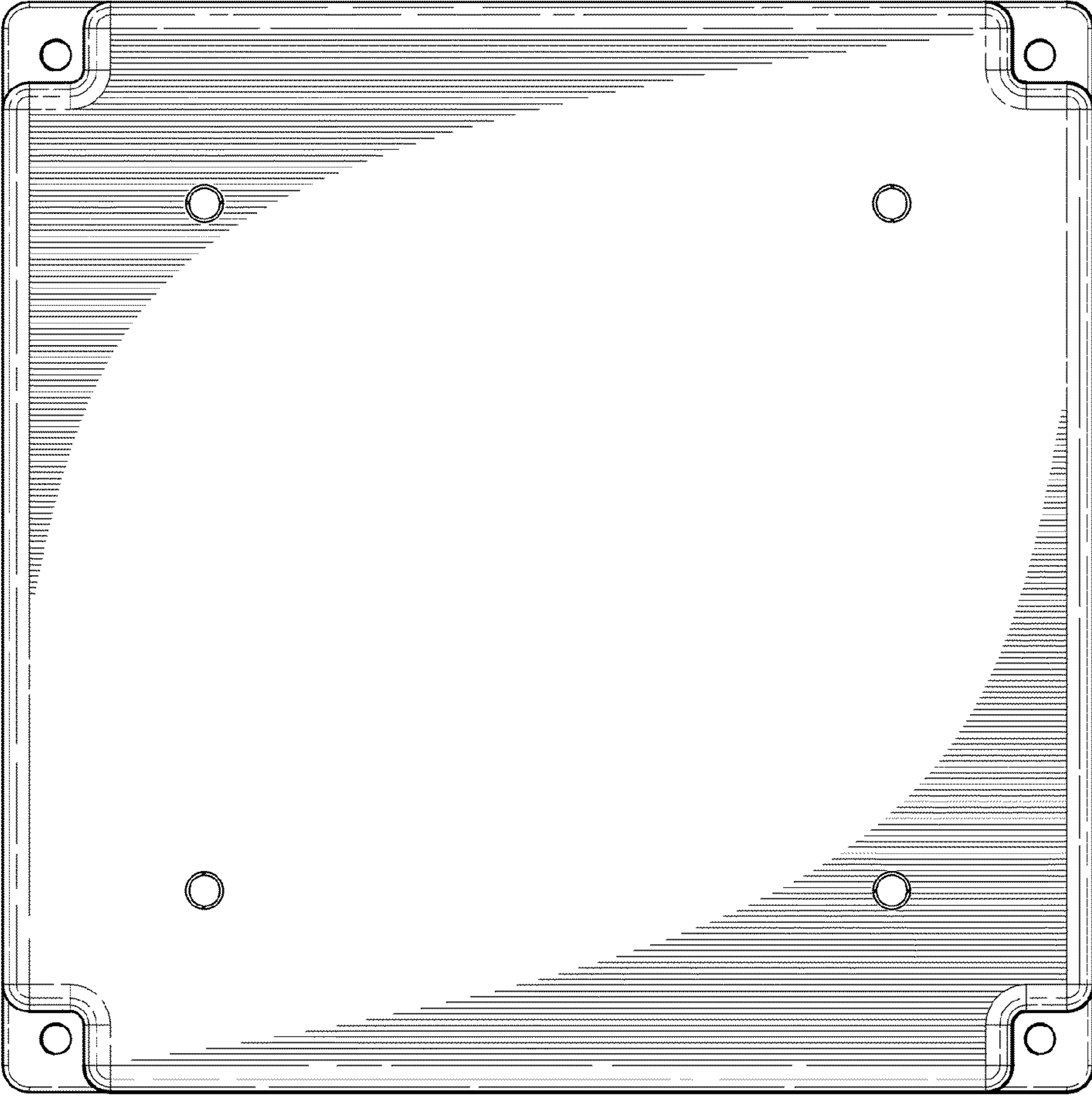
\* cited by examiner



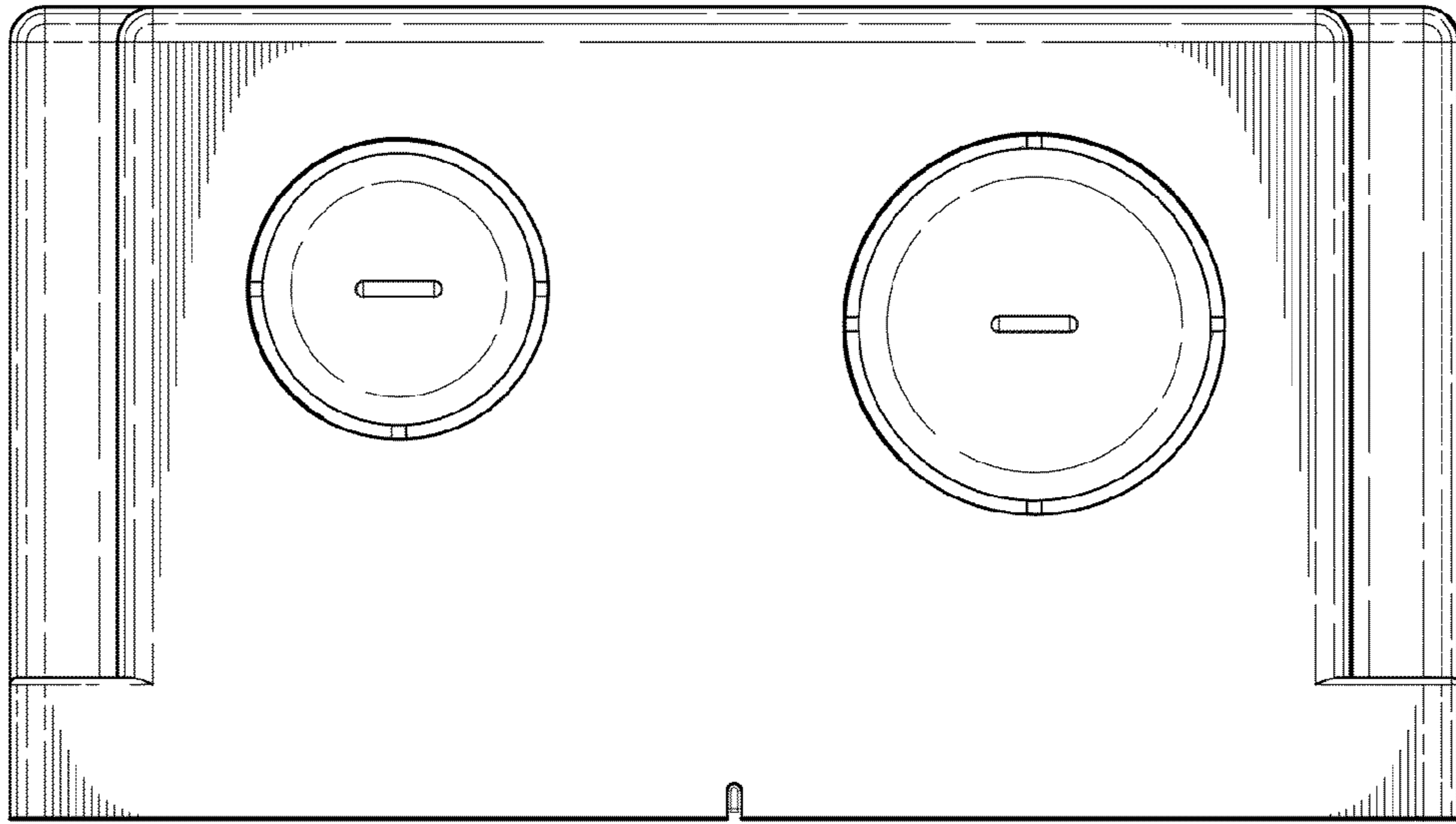
*Fig. 1.*



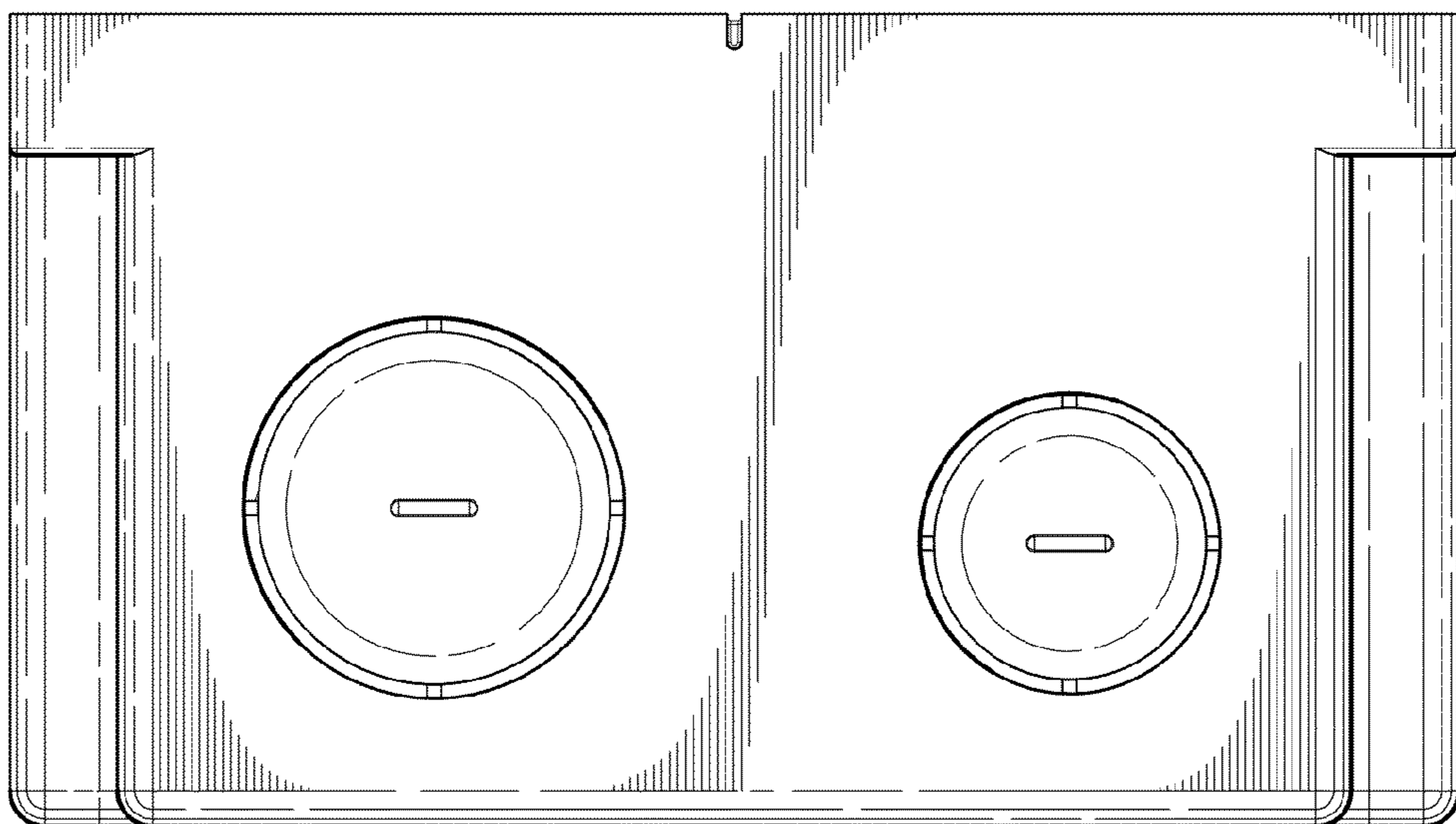
*Fig. 2.*



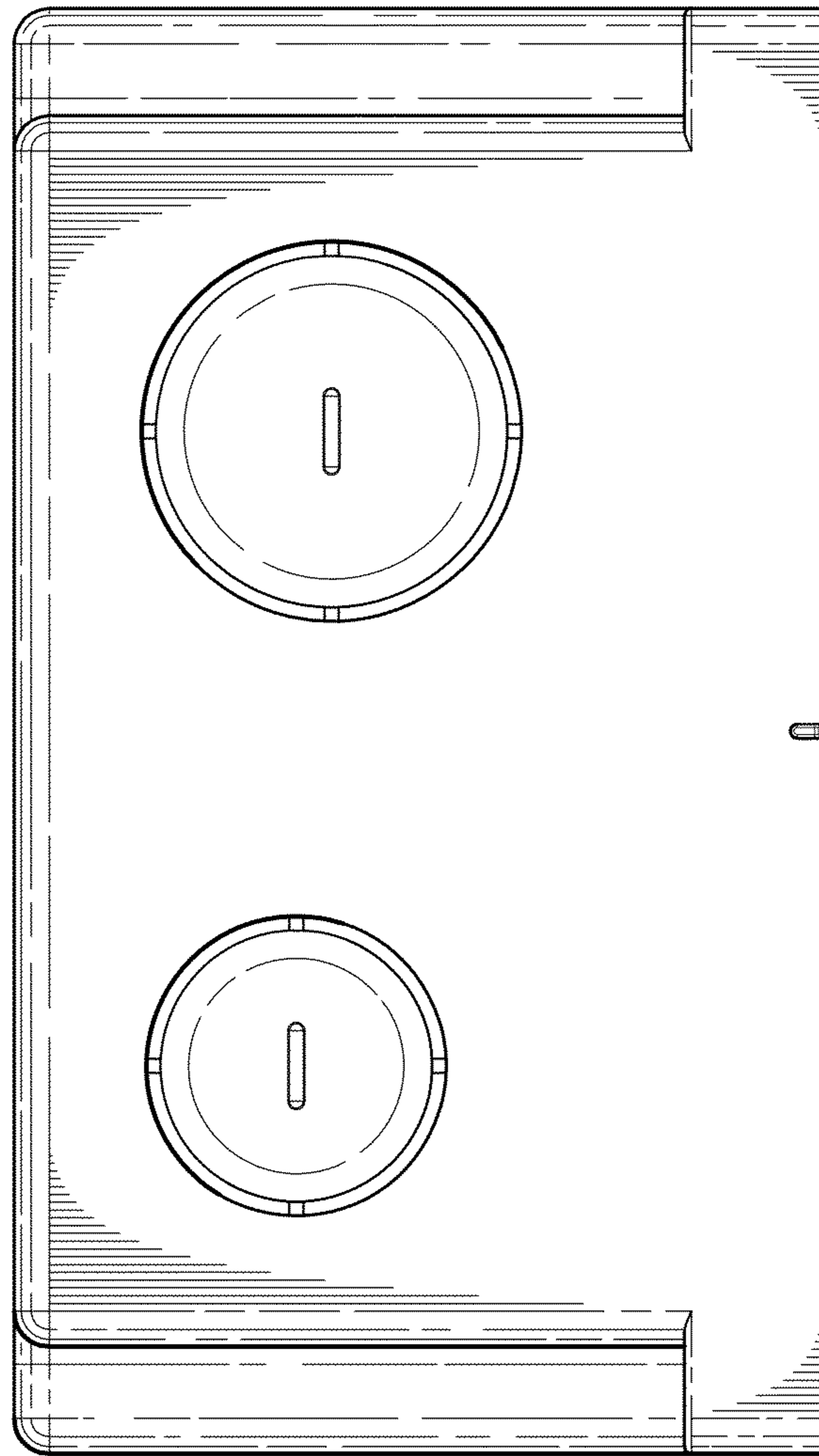
*Fig. 3.*



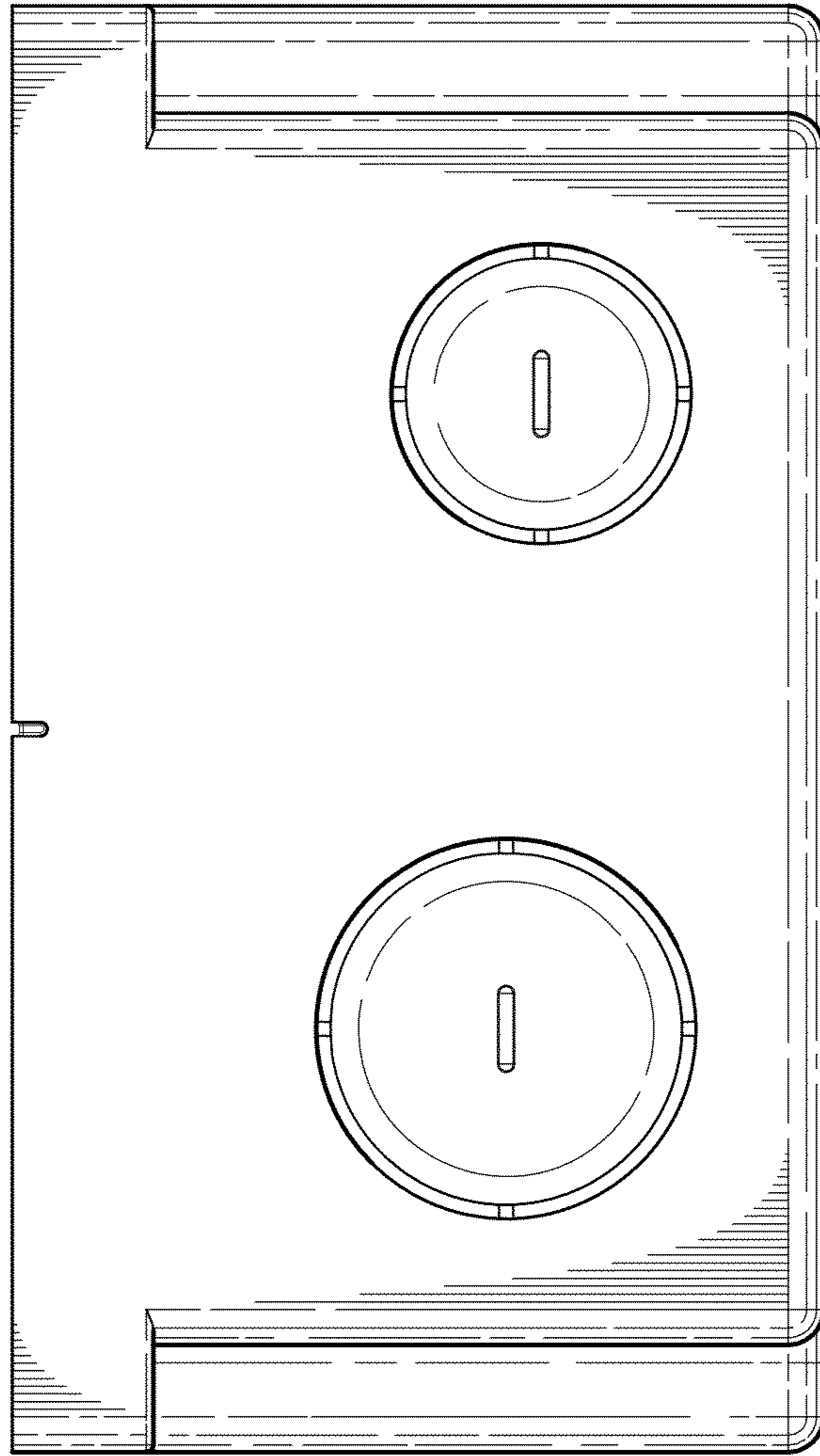
*Fig. 4.*



*Fig. 5.*



*Fig. 6.*



*Fig. 7.*