



US00D723472S

(12) **United States Design Patent**  
**Glisson, Jr.**

(10) **Patent No.:** **US D723,472 S**  
(45) **Date of Patent:** **\*\* Mar. 3, 2015**

(54) **PLATE WITH ACCESS COVER**

(71) Applicant: **Dennis C. Glisson, Jr.**, Pocahontas, IL  
(US)

(72) Inventor: **Dennis C. Glisson, Jr.**, Pocahontas, IL  
(US)

(\*\*) Term: **14 Years**

(21) Appl. No.: **29/484,602**

(22) Filed: **Mar. 11, 2014**

**Related U.S. Application Data**

(63) Continuation-in-part of application No. 29/459,847,  
filed on Jul. 3, 2013, now Pat. No. Des. 711,324.

(51) **LOC (10) Cl.** ..... **13-03**

(52) **U.S. Cl.**  
USPC ..... **D13/152**

(58) **Field of Classification Search**  
USPC ..... D13/152, 184, 133, 132, 160, 107, 156,  
D13/162, 178; 248/343; D25/138; 174/491;  
381/395; D14/240

See application file for complete search history.

(56) **References Cited**

U.S. PATENT DOCUMENTS

D328,453	S	*	8/1992	Naumann	.....	D13/152
D348,469	S	*	7/1994	Johnson et al.	.....	D14/240
D441,719	S	*	5/2001	Lew	.....	D13/152
D449,279	S	*	10/2001	Takach et al.	.....	D13/152
D460,422	S	*	7/2002	Nakamura	.....	D13/156
6,735,321	B2	*	5/2004	Mazejka et al.	.....	381/395
D635,098	S	*	3/2011	Ismert	.....	D13/152
D637,162	S	*	5/2011	Bridgman	.....	D13/152

\* cited by examiner

*Primary Examiner* — Ian Simmons

*Assistant Examiner* — Rhea Shields

(74) *Attorney, Agent, or Firm* — Charles McCluskey

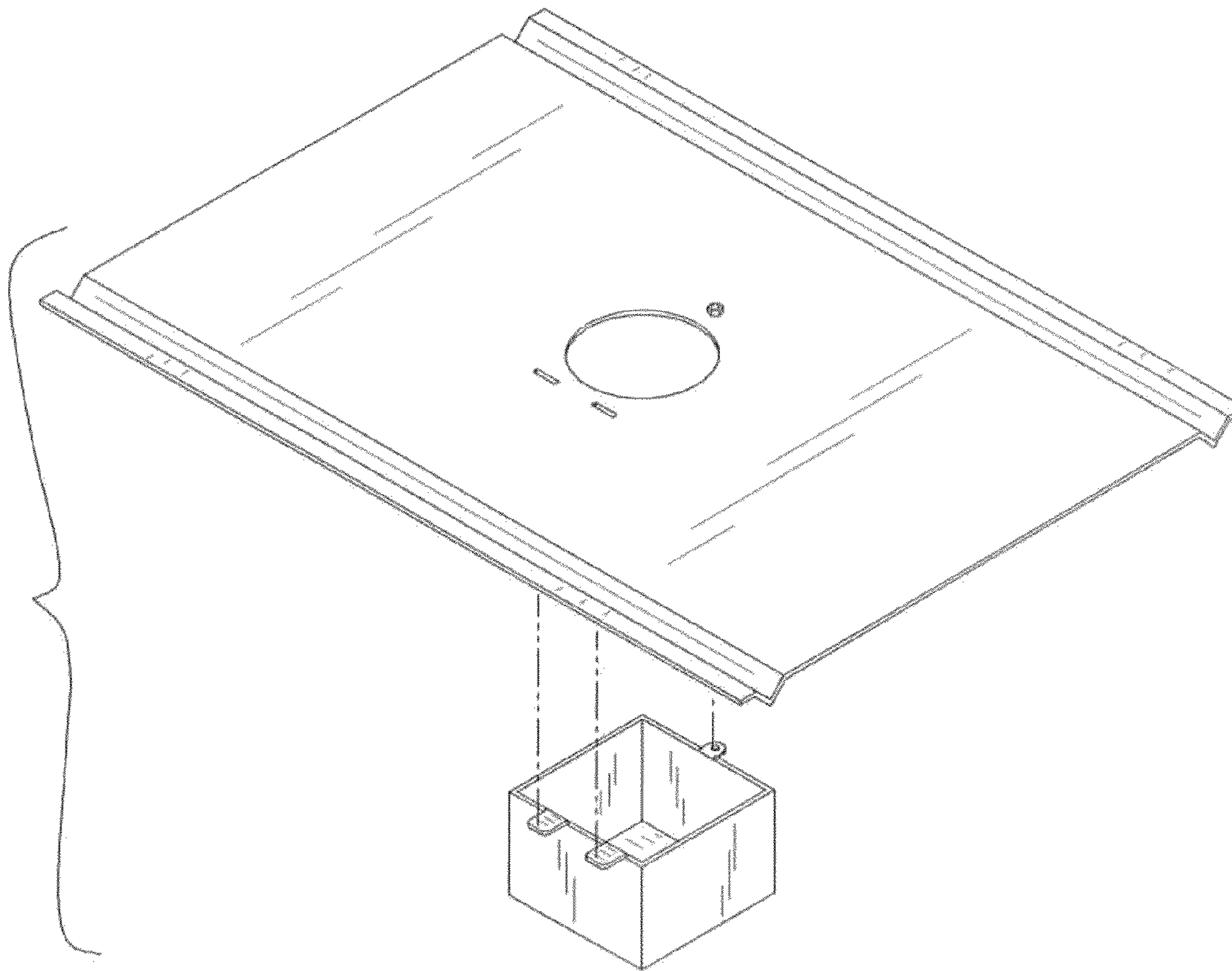
(57) **CLAIM**

The ornamental design for a plate with access cover, as shown and described.

**DESCRIPTION**

FIG. 1 is a bottom view of the plate with access cover;  
FIG. 2 is a top view thereof;  
FIG. 3 is a front view thereof;  
FIG. 4 is a back view thereof;  
FIG. 5 is a side view thereof;  
FIG. 6 is another side view thereof;  
FIG. 7 is a perspective view thereof; and,  
FIG. 8 is an exploded perspective view thereof.

**1 Claim, 3 Drawing Sheets**



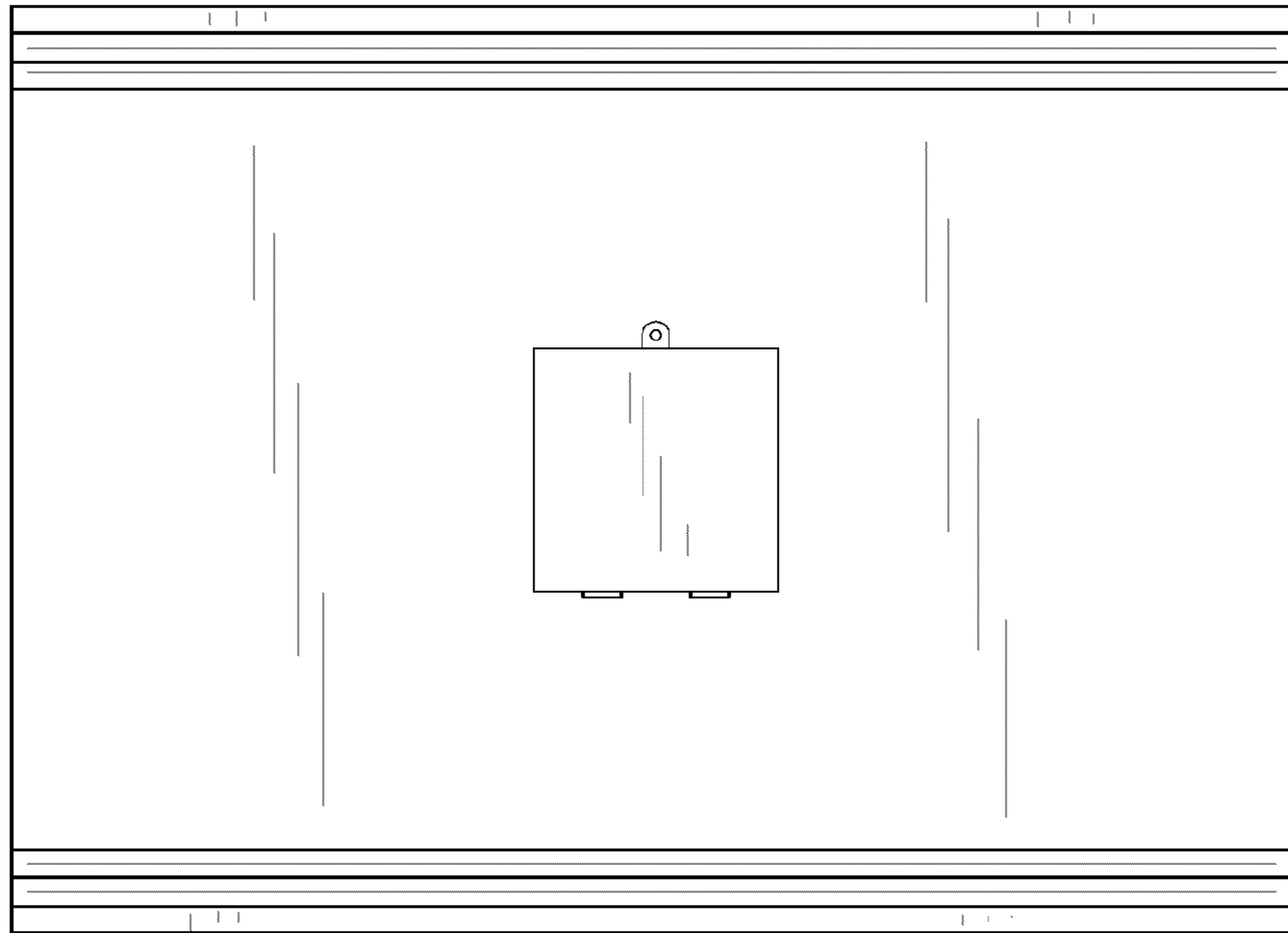


FIG. 1

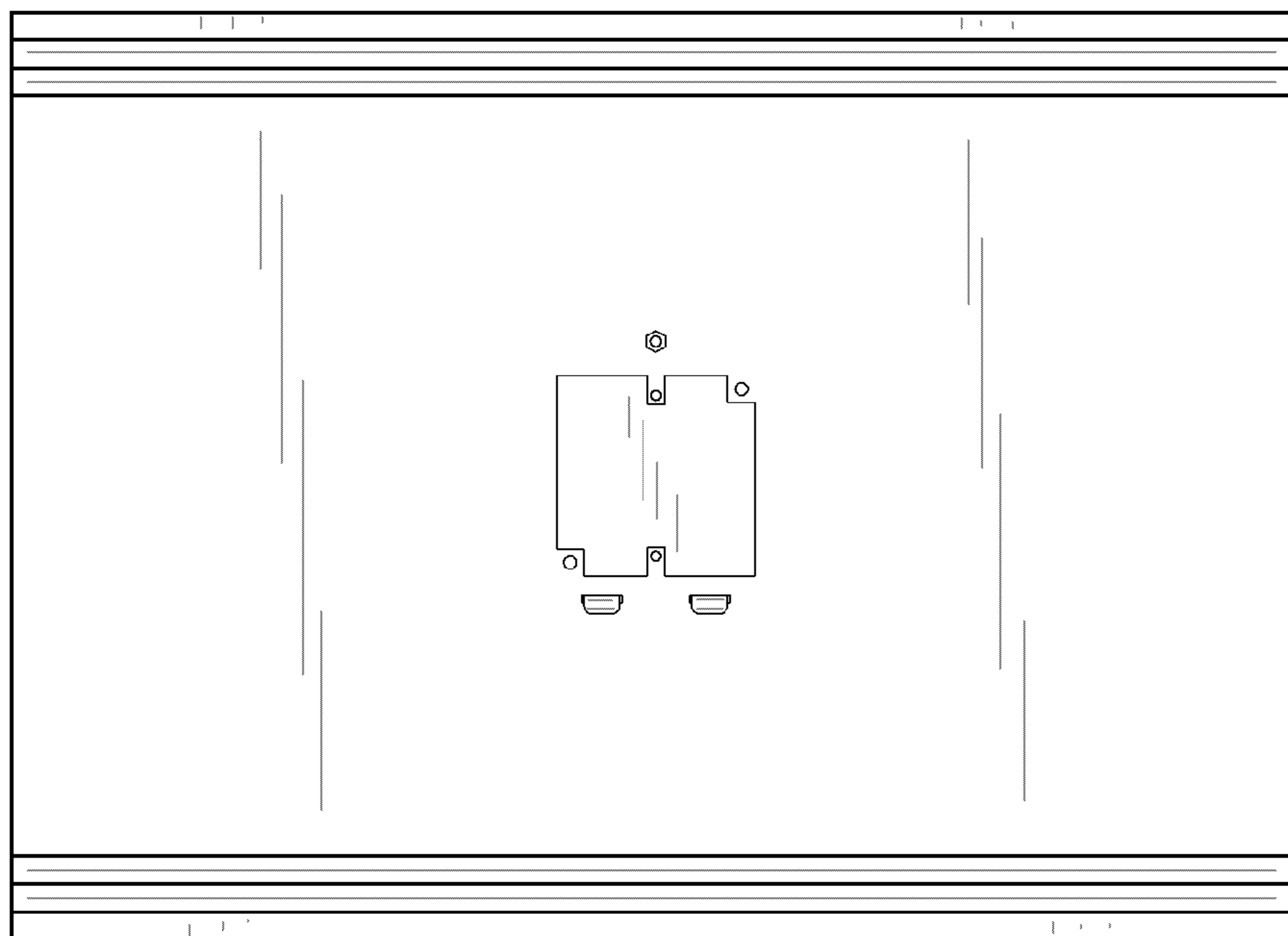


FIG. 2

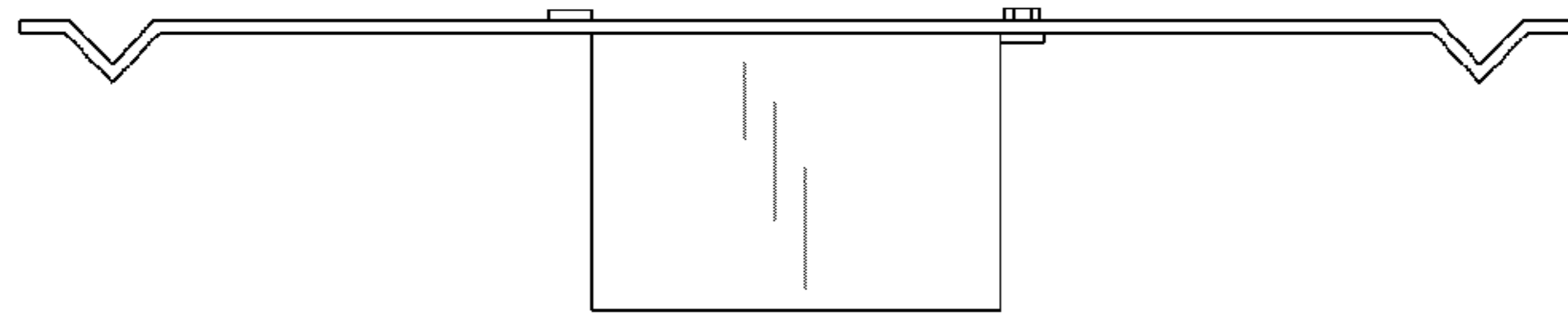


FIG. 3

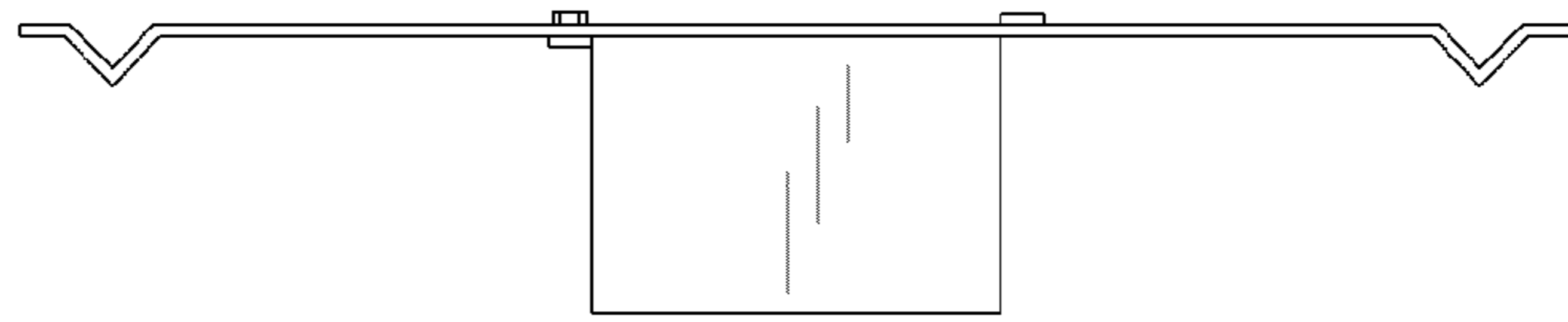


FIG. 4

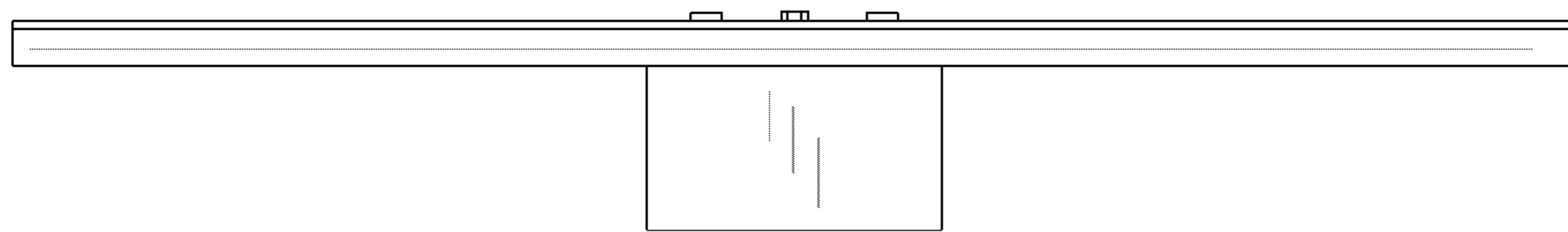


FIG. 5

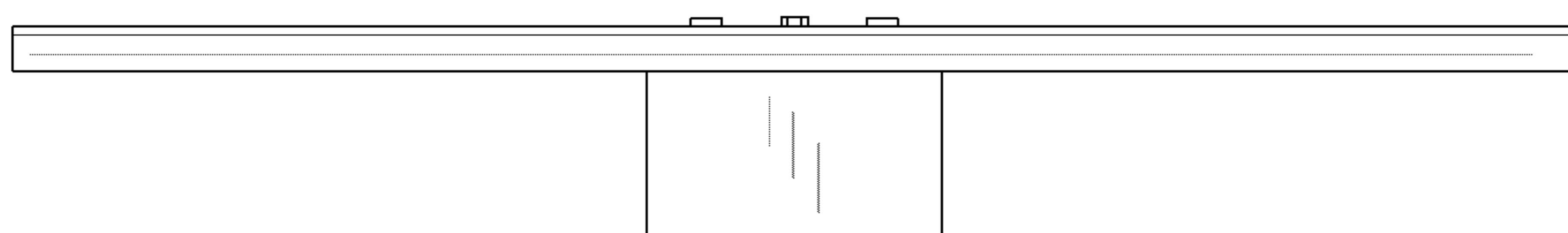


FIG. 6

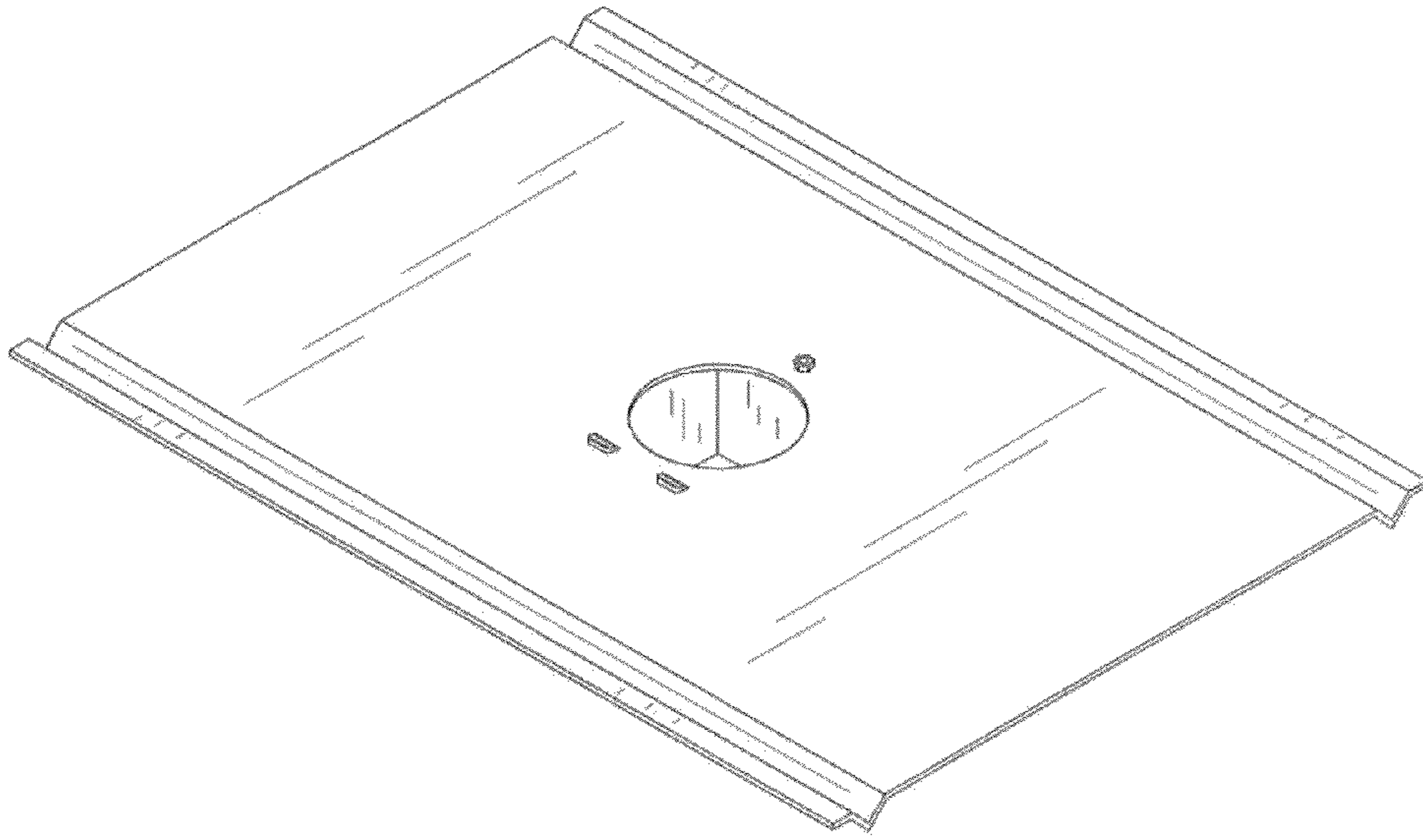


FIG. 7

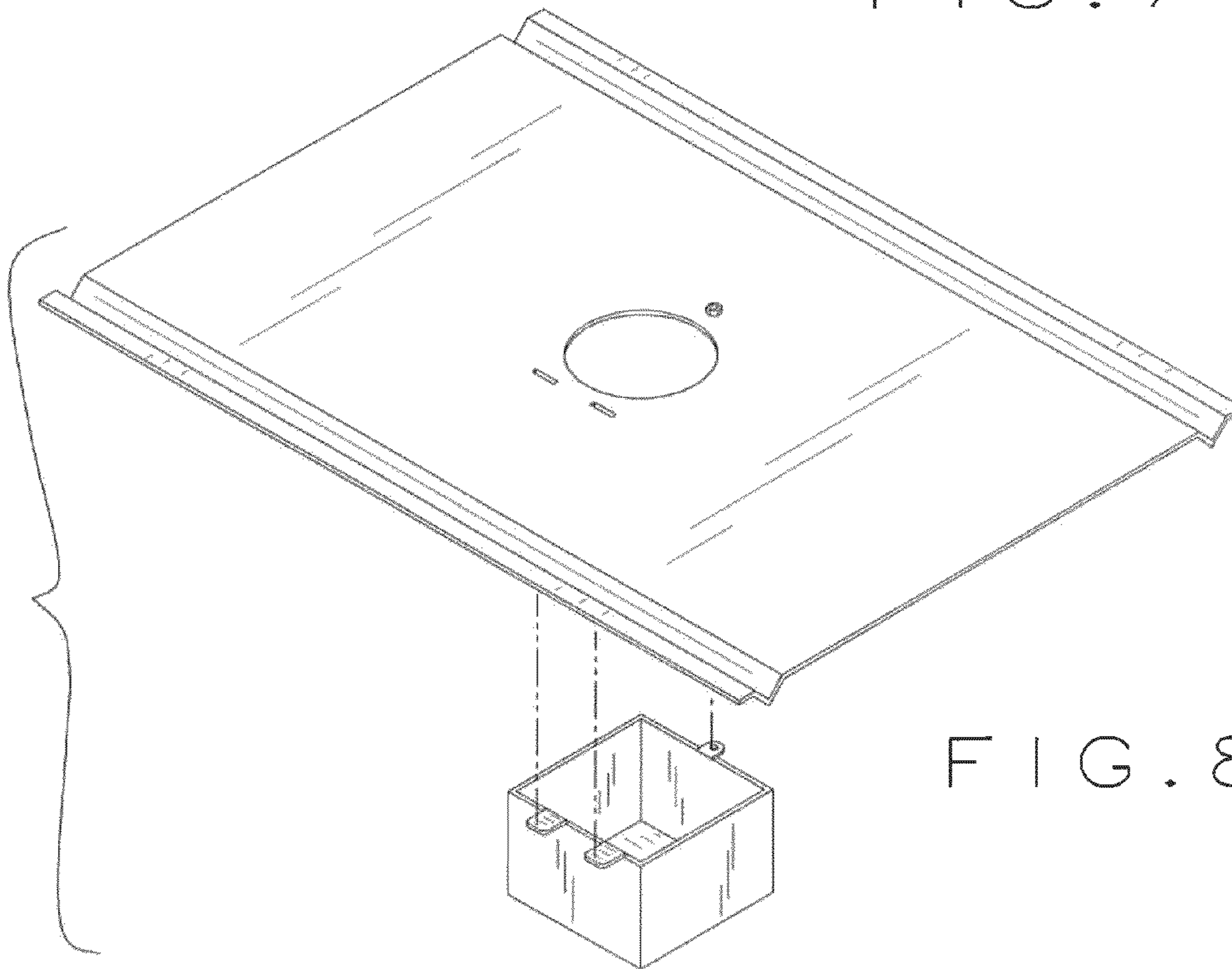


FIG. 8