



US00D723468S

(12) **United States Design Patent**
Smith et al.

(10) **Patent No.:** **US D723,468 S**
(45) **Date of Patent:** **** Mar. 3, 2015**

(54) **THREE POLE PLUG CONNECTOR WITH SAFETY LATCH CATCH**

(71) Applicant: **Anderson Power Products, Inc.**,
Sterling, MA (US)

(72) Inventors: **Nathan T Smith**, Worcester, MA (US);
Brian F Davies, Acton, MA (US)

(73) Assignee: **Anderson Power Products, Inc.**,
Sterling, MA (US)

(**) Term: **14 Years**

(21) Appl. No.: **29/437,430**

(22) Filed: **Nov. 16, 2012**

(51) **LOC (10) Cl.** **13-03**

(52) **U.S. Cl.**
USPC **D13/146**

(58) **Field of Classification Search**
USPC D13/147, 154, 184, 199
See application file for complete search history.

(56) **References Cited**

U.S. PATENT DOCUMENTS

D188,419 S * 7/1960 Danesi D13/146
D251,491 S * 4/1979 Snyder et al. D13/146
D472,523 S * 4/2003 Hansen D13/146

D478,549 S * 8/2003 Porzelt D13/146
D560,610 S * 1/2008 McCoy D13/146
D639,743 S * 6/2011 Smith et al. D13/146
D639,744 S * 6/2011 Smith et al. D13/146
D702,189 S * 4/2014 Kagelmacher et al. D13/146

* cited by examiner

Primary Examiner — Daniel Bui

(74) *Attorney, Agent, or Firm* — Maine Cernota & Rardin

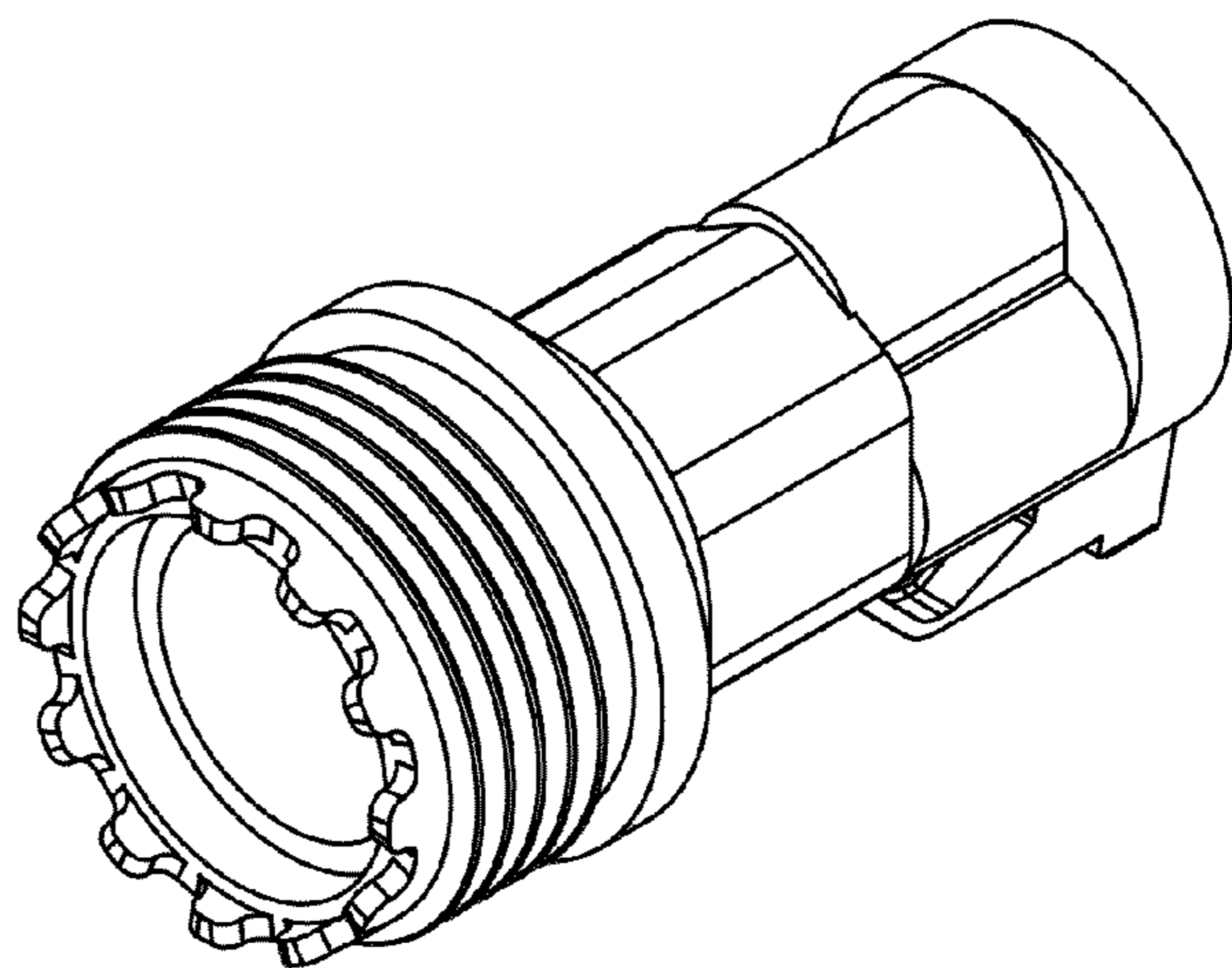
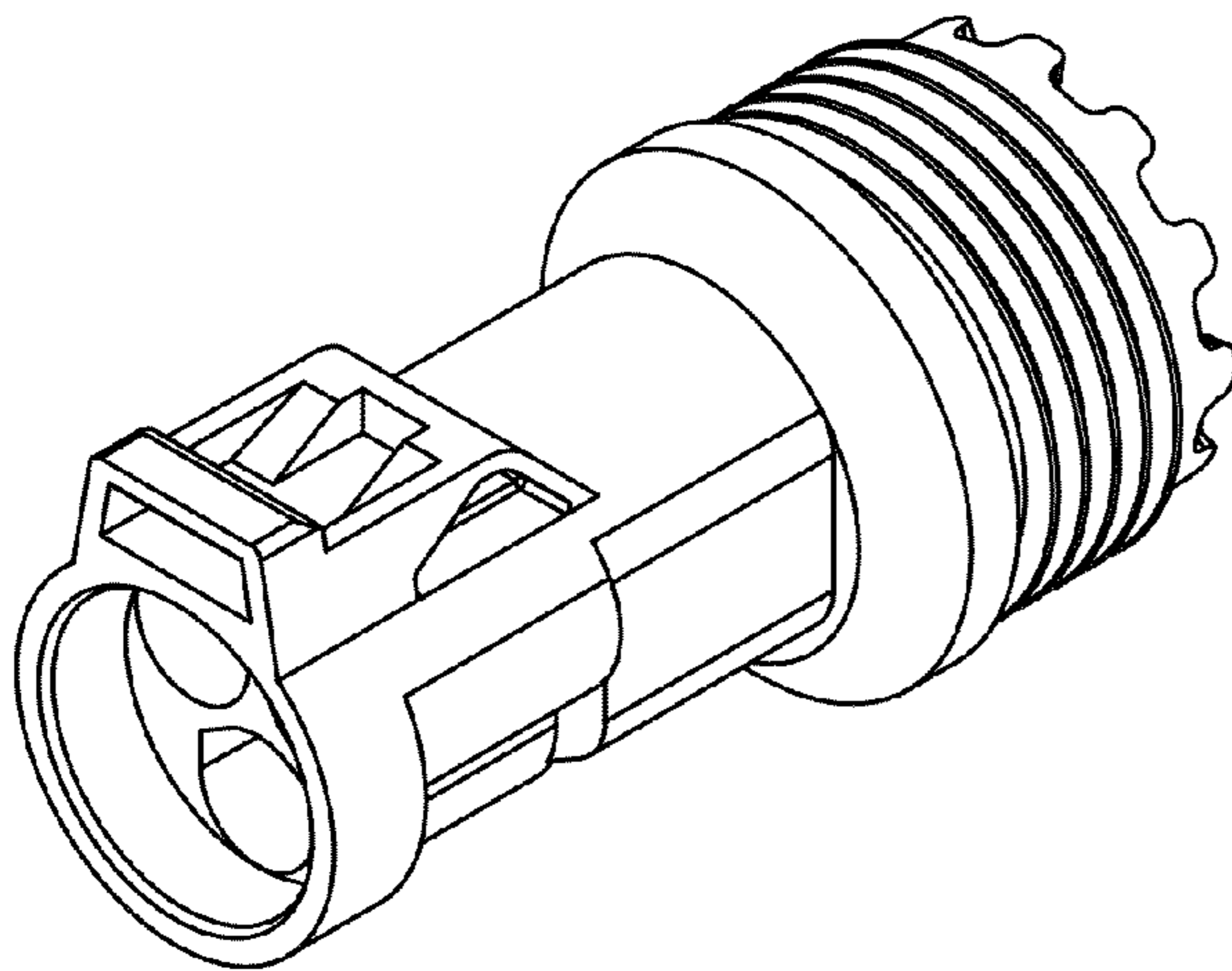
(57) **CLAIM**

The ornamental design for a three pole plug connector with safety latch catch, as shown and described.

DESCRIPTION

FIG. 1 is a front elevation view of a three pole plug connector with safety latch catch, showing our new design;
FIG. 2 is a back elevation view thereof;
FIG. 3 is a left side elevation view thereof;
FIG. 4 is a right side elevation view thereof;
FIG. 5 is a top plan view thereof;
FIG. 6 is a bottom plan view thereof;
FIG. 7 is a front, top and right side perspective view thereof; and,
FIG. 8 is a back, bottom and left side perspective view thereof.
The broken line portions of the figure drawings are included to show unclaimed environment only and form no part of the claimed design.

1 Claim, 8 Drawing Sheets



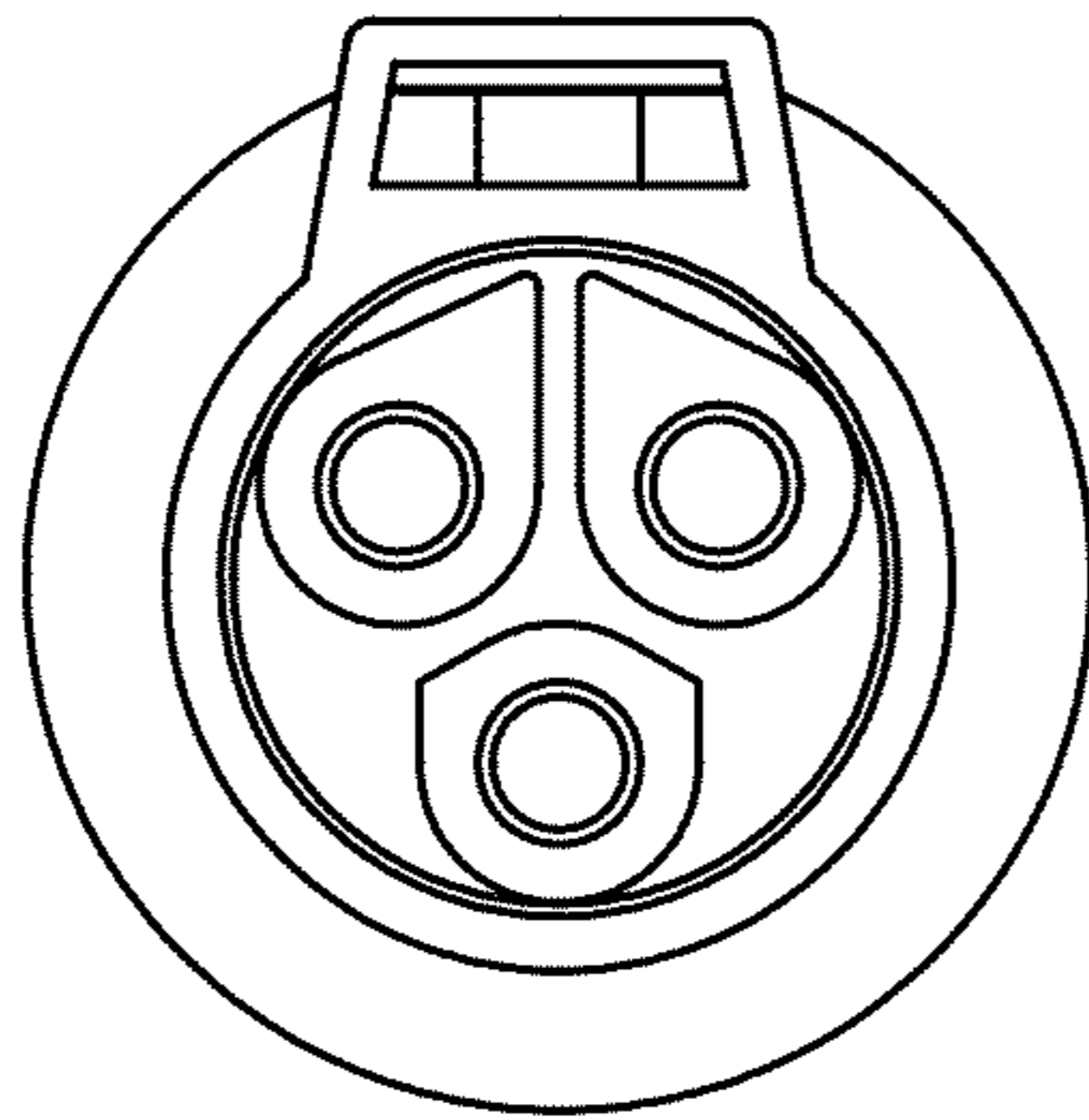


FIG. 1

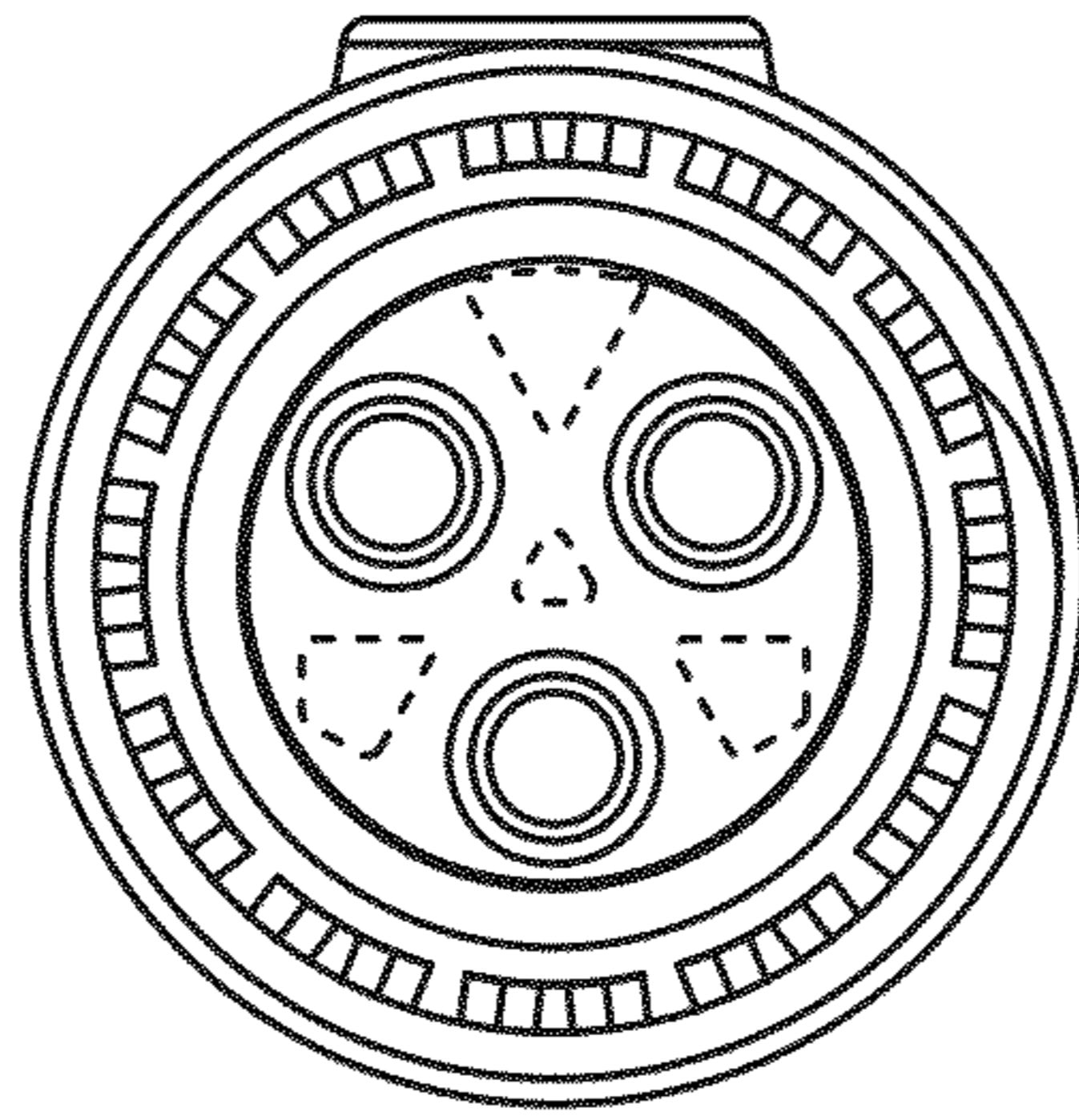


Fig. 2

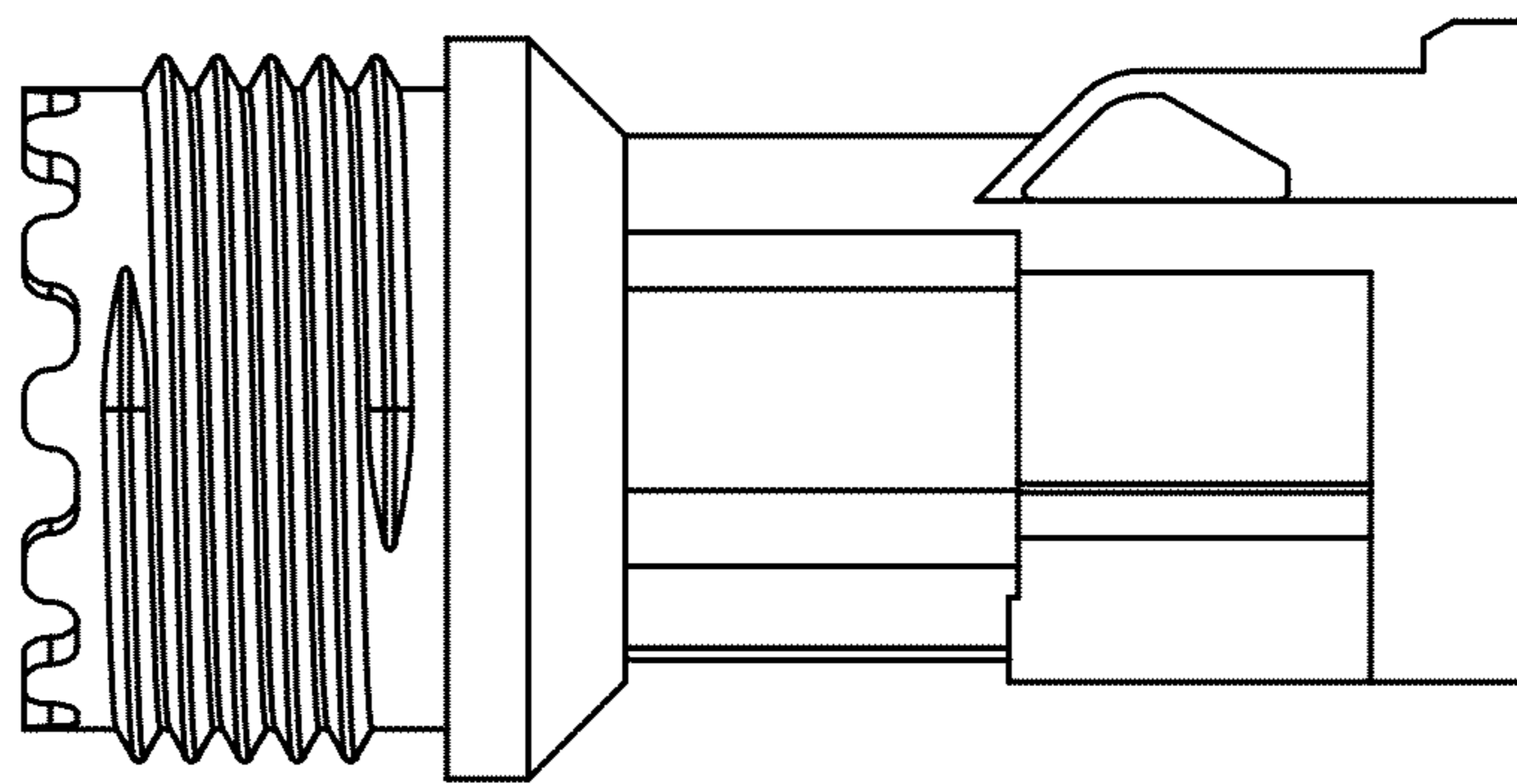


FIG. 3

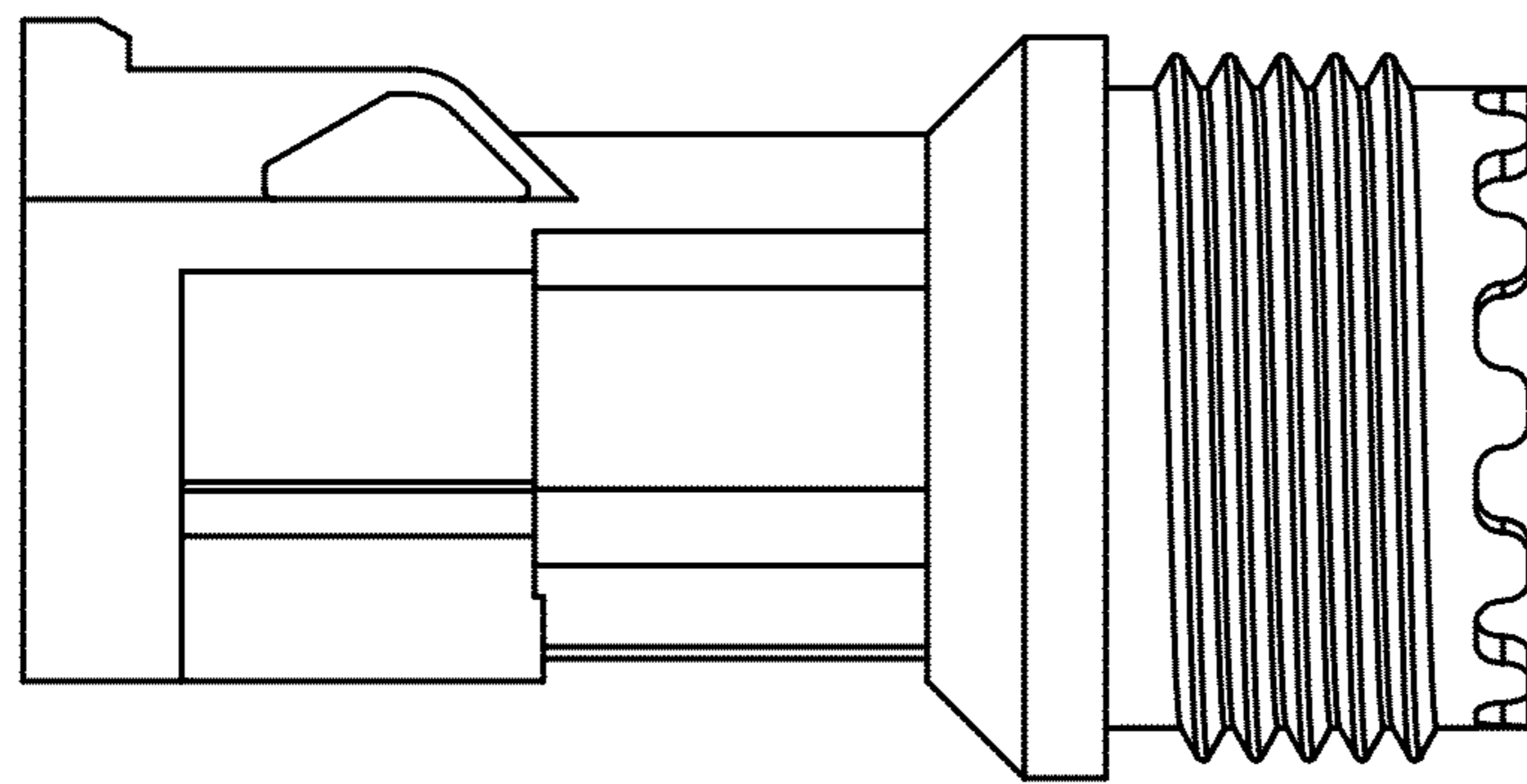


FIG. 4

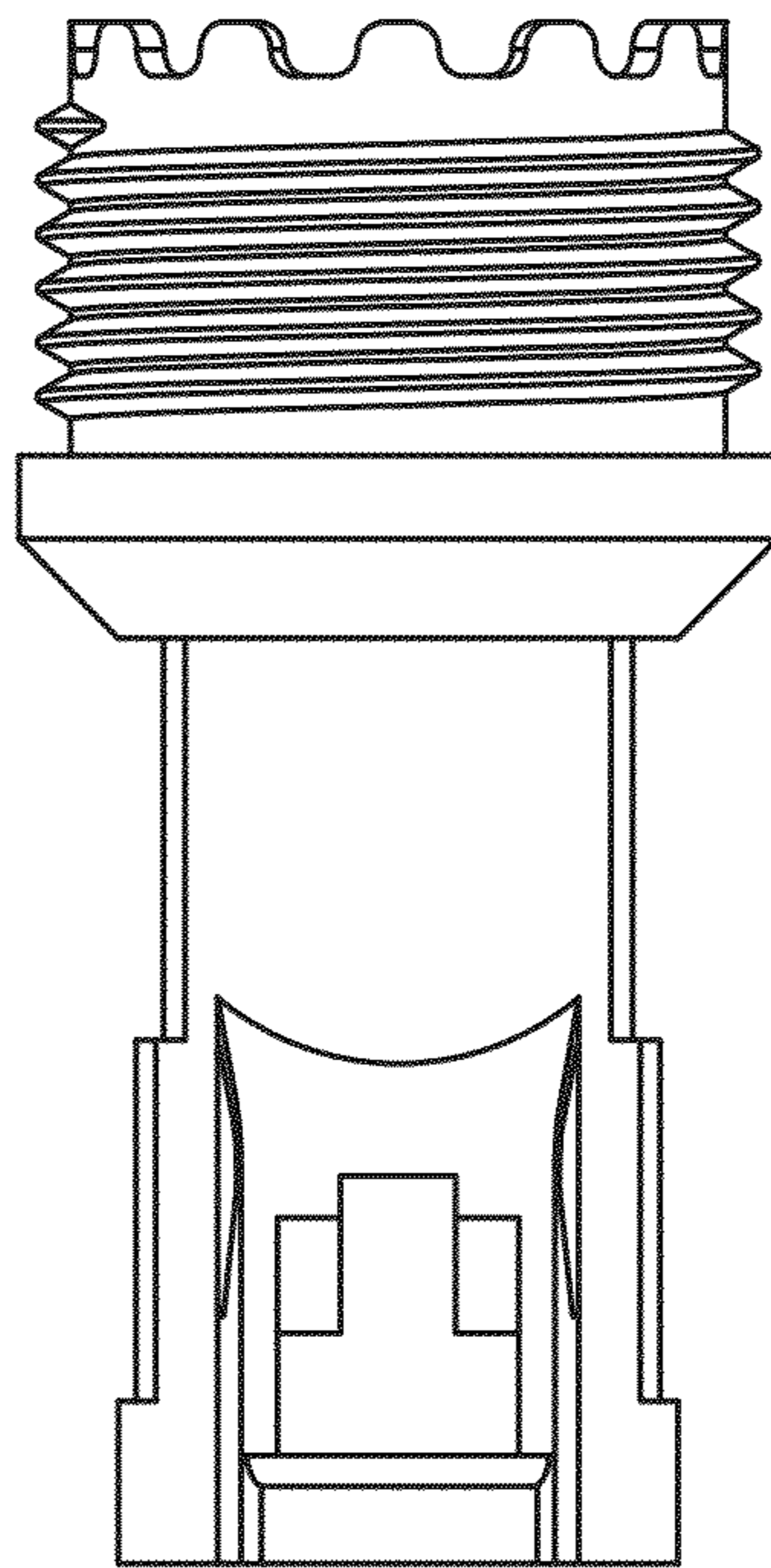


Fig. 5

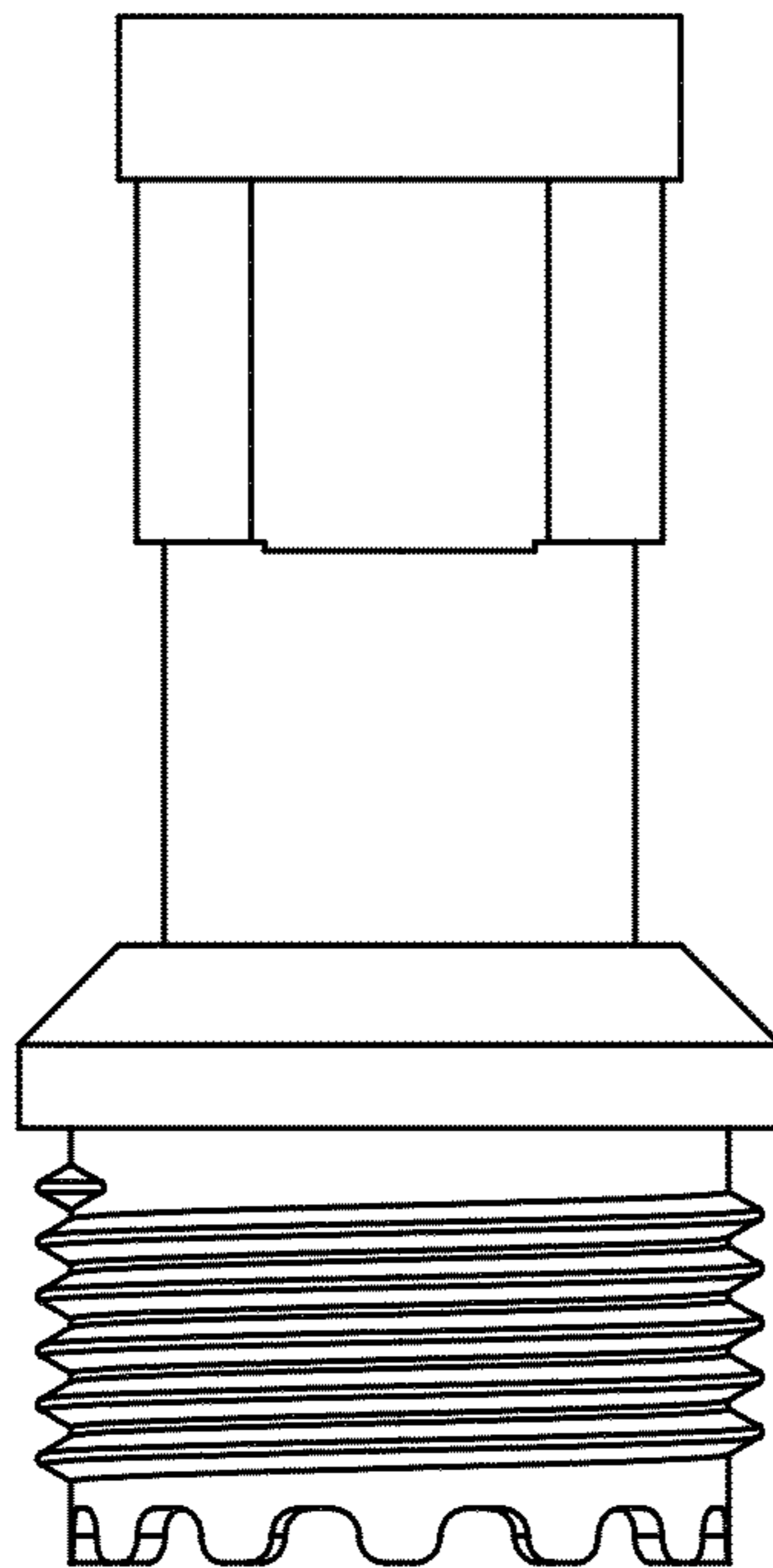


FIG. 6

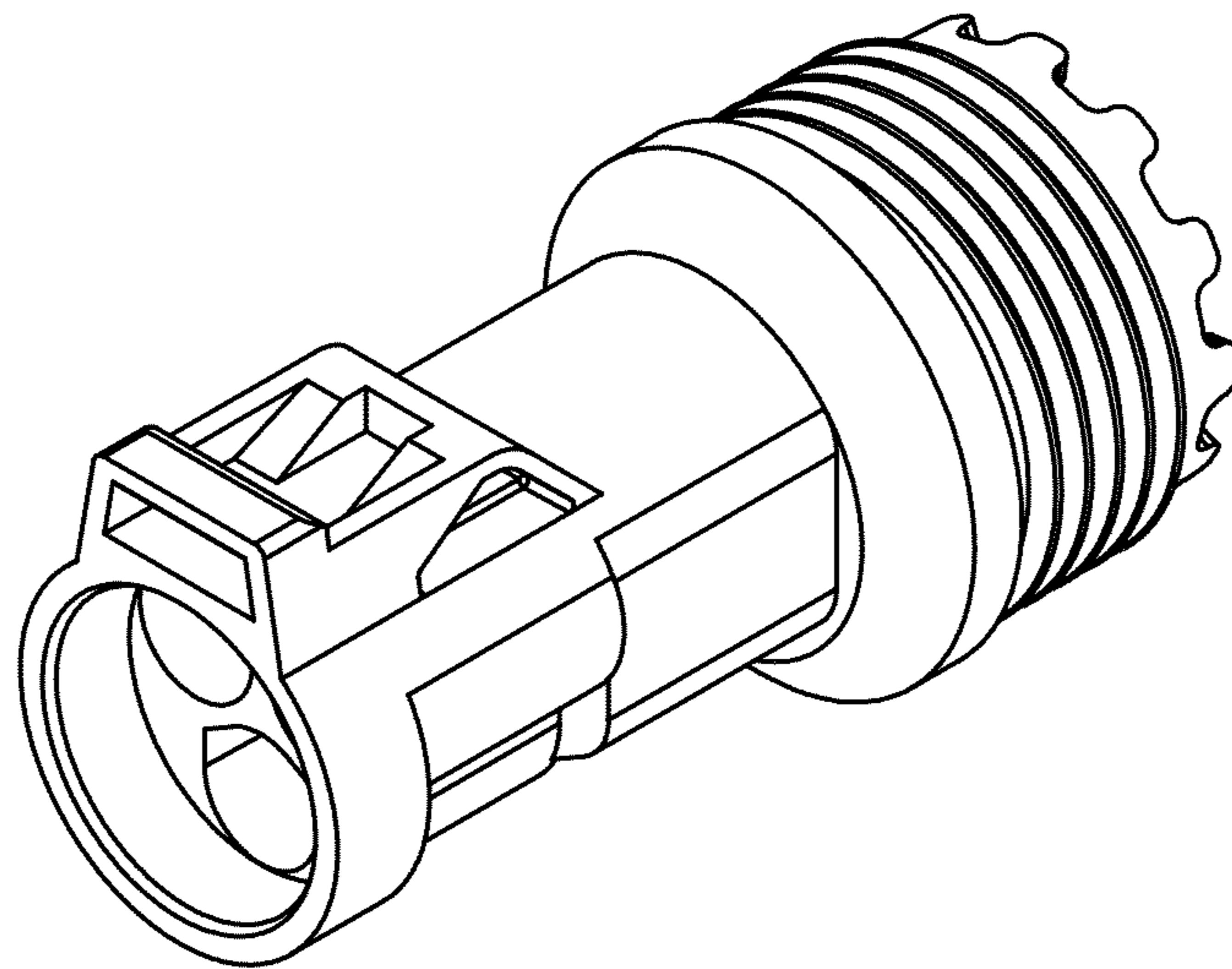


FIG. 7

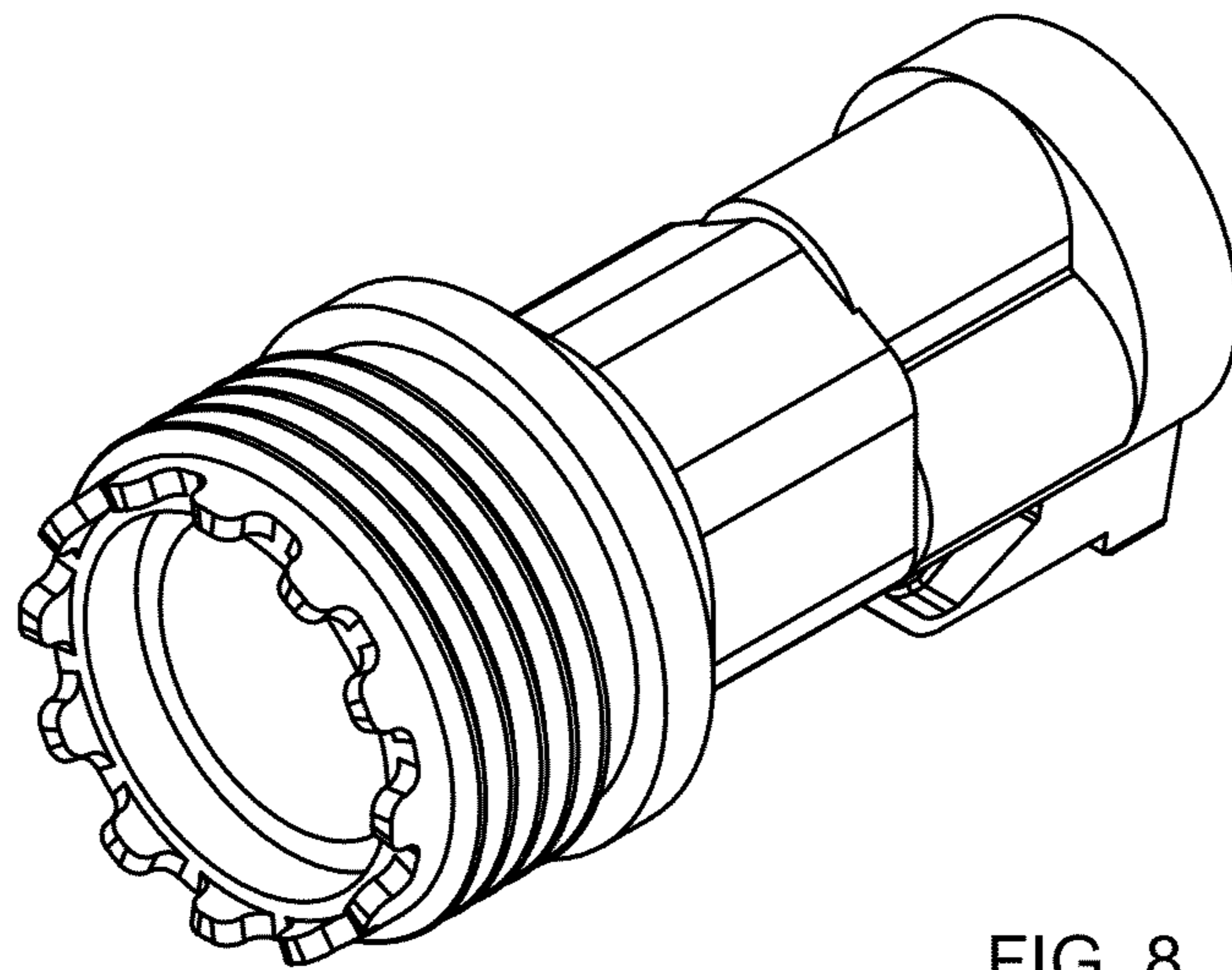


FIG. 8