



US00D723466S

(12) **United States Design Patent**  
**Wang**

(10) **Patent No.:** **US D723,466 S**  
(45) **Date of Patent:** **\*\* Mar. 3, 2015**

(54) **CAR CHARGER**

(56) **References Cited**

(71) Applicant: **Hao Wang**, Shenzhen (CN)

U.S. PATENT DOCUMENTS

(72) Inventor: **Hao Wang**, Shenzhen (CN)

D398,287	S	*	9/1998	Luminosu	.....	D13/144
5,964,623	A	*	10/1999	Maher et al.	.....	439/668
D456,007	S	*	4/2002	Kuo	.....	D13/110
6,612,875	B1	*	9/2003	Liao	.....	439/675
D481,358	S	*	10/2003	Hsiao	.....	D13/144
D554,059	S	*	10/2007	Hsu	.....	D13/110
D608,284	S	*	1/2010	Lin	.....	D13/144
D617,278	S	*	6/2010	Tang et al.	.....	D13/144
D620,441	S	*	7/2010	Hou	.....	D13/144
D631,836	S	*	2/2011	Kao	.....	D13/108
D652,384	S	*	1/2012	Lee	.....	D13/144

(\*\*) Term: **14 Years**

(21) Appl. No.: **29/496,647**

(22) Filed: **Jul. 15, 2014**

\* cited by examiner

(30) **Foreign Application Priority Data**

Mar. 13, 2014 (CN) ..... 2014 3 0050130

*Primary Examiner* — Derrick Holland

(51) **LOC (10) Cl.** ..... **13-03**

(57) **CLAIM**

The ornamental design for a car charger, as shown and described.

(52) **U.S. Cl.**

**DESCRIPTION**

USPC ..... **D13/144**; D13/110

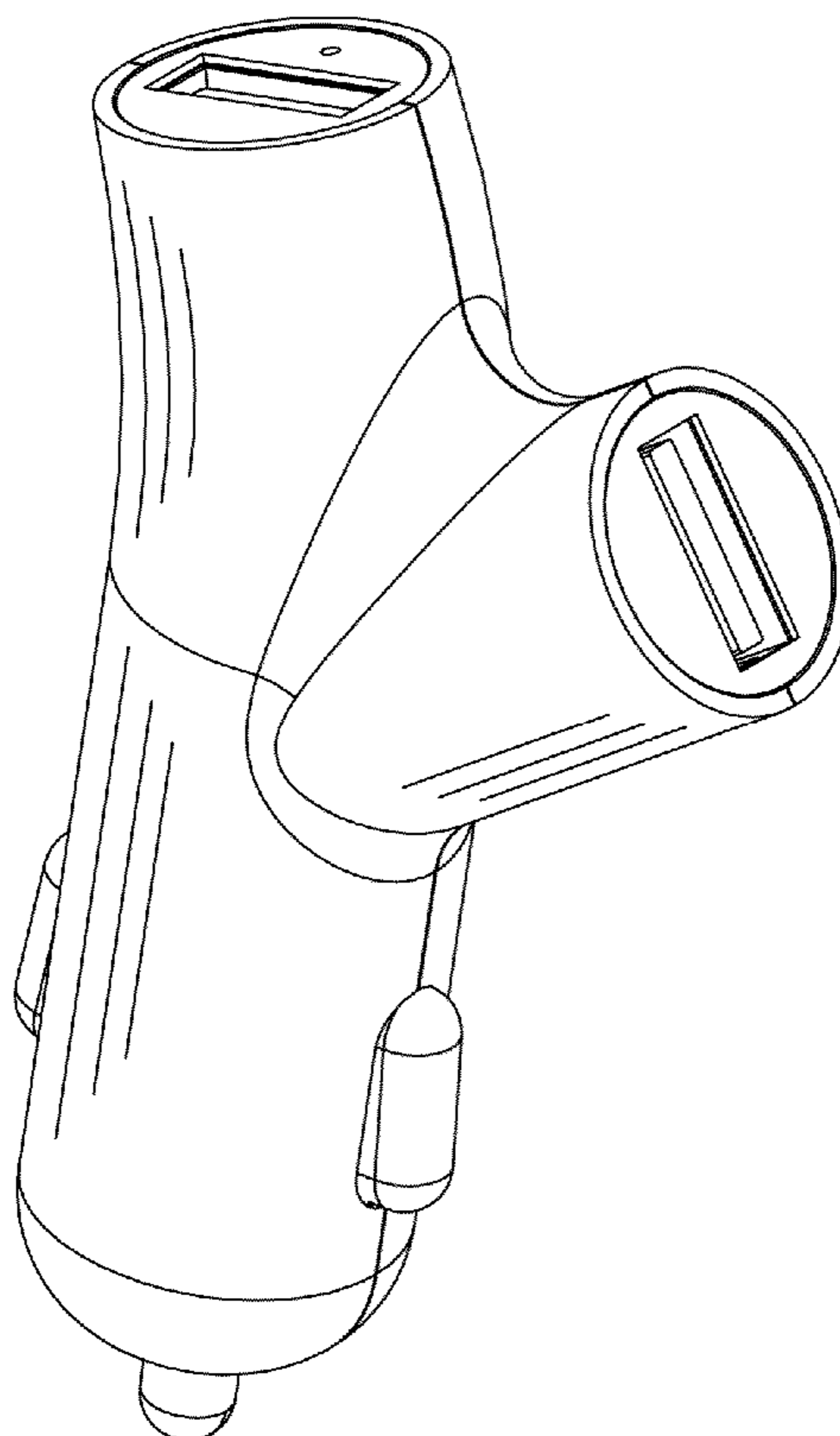
(58) **Field of Classification Search**

USPC ..... D13/144, 101, 107, 108, 110, 118, 119,  
D13/133, 184, 199; D14/155, 432, 434,  
D14/435.1, 356, 480.1, 480.7; 320/107,  
320/108, 109, 110, 111, 112, 113, 114,  
320/115; 439/300, 620.01, 638, 668, 669,  
439/675, 825; 363/146

FIG. 1 is a front elevational view of a car charger of my new design;  
FIG. 2 is a rear elevational view thereof;  
FIG. 3 is a left side view thereof;  
FIG. 4 is a right side view thereof;  
FIG. 5 is a top plan view thereof;  
FIG. 6 is a bottom plan view thereof;  
FIG. 7 is a first perspective view thereof; and,  
FIG. 8 is a second perspective view thereof.

See application file for complete search history.

**1 Claim, 7 Drawing Sheets**



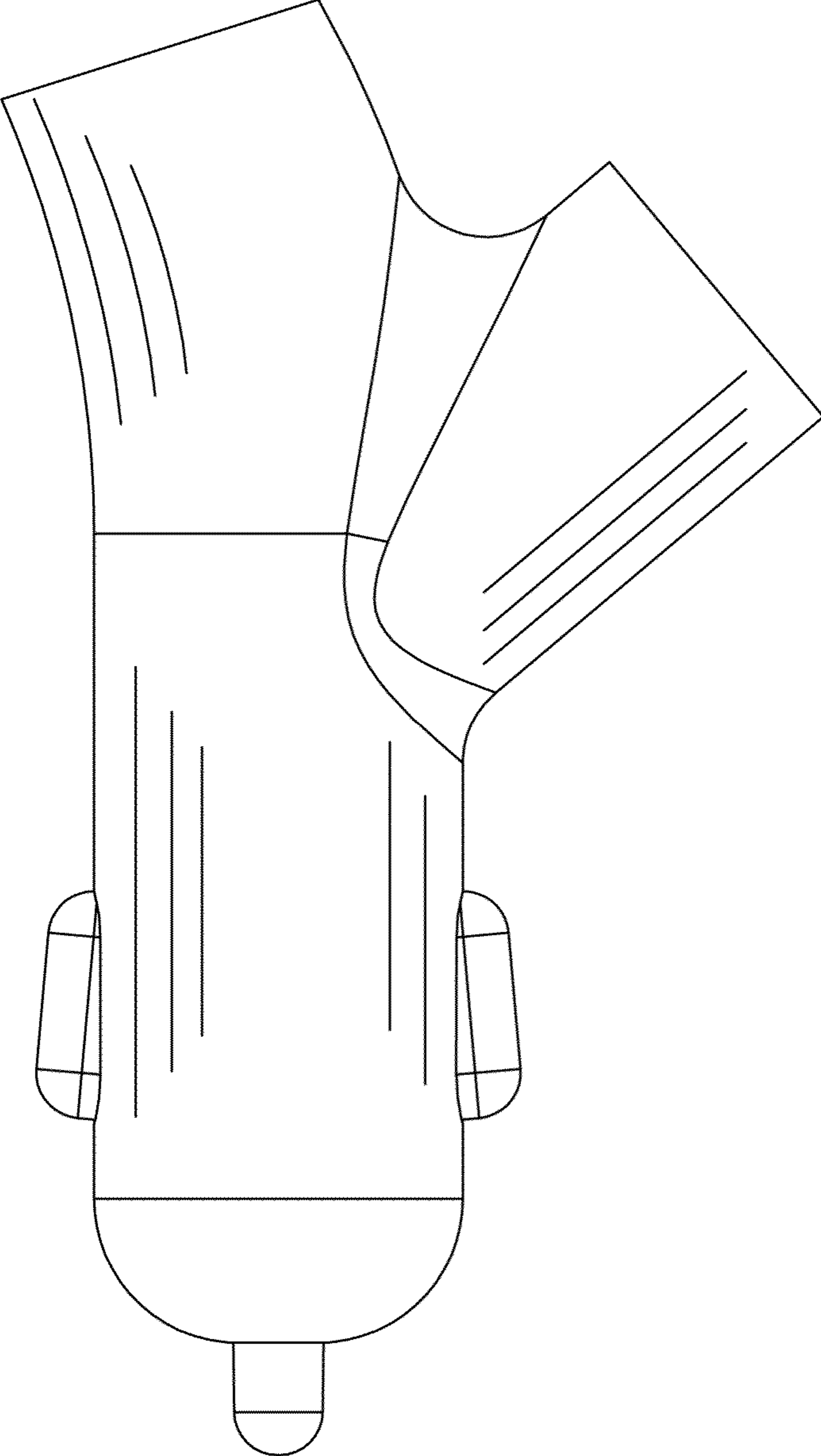


Fig.1

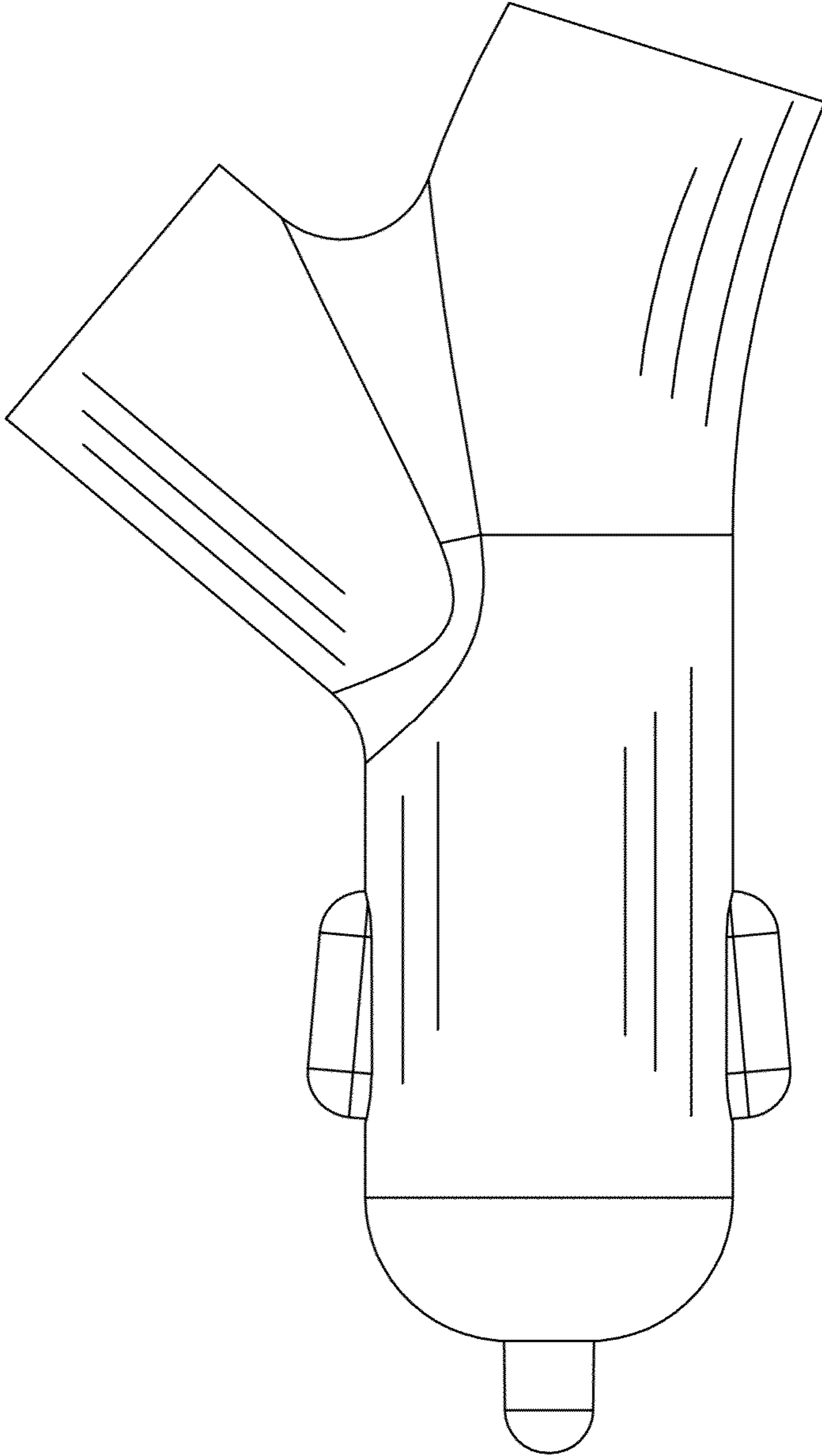


Fig.2

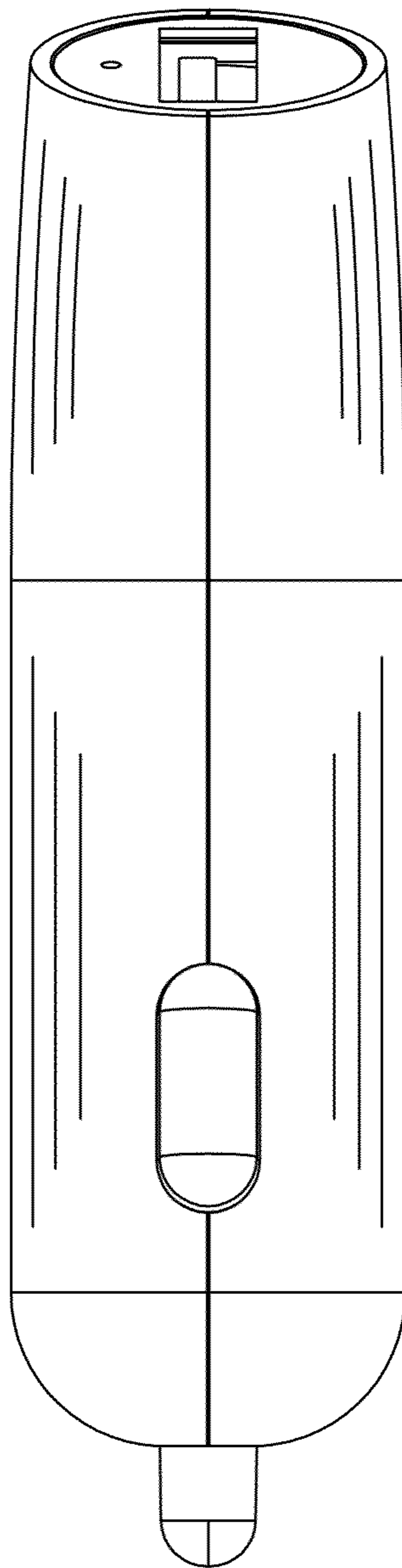


Fig.3

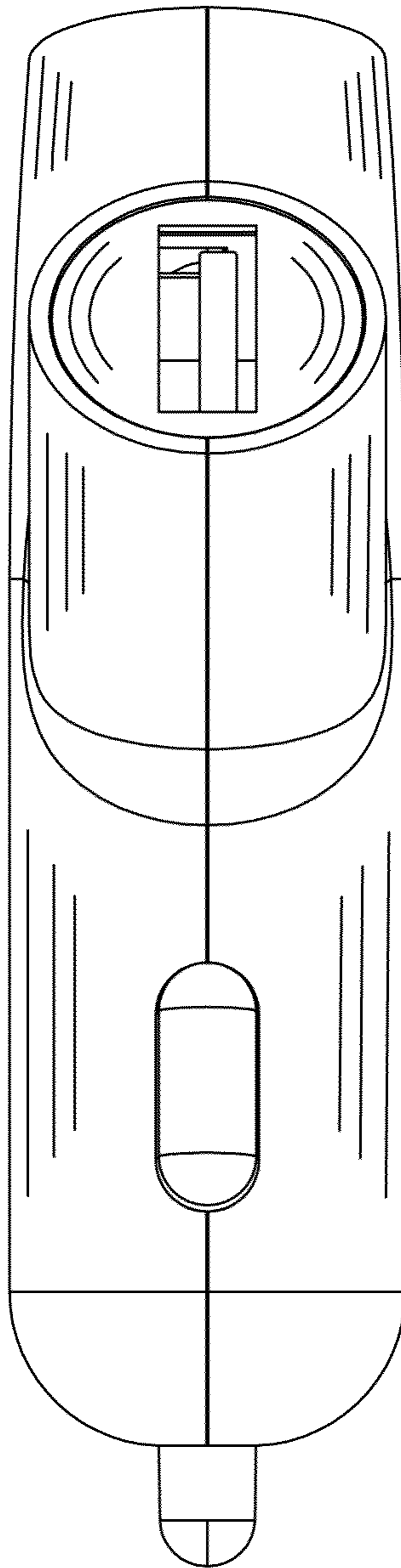


Fig.4

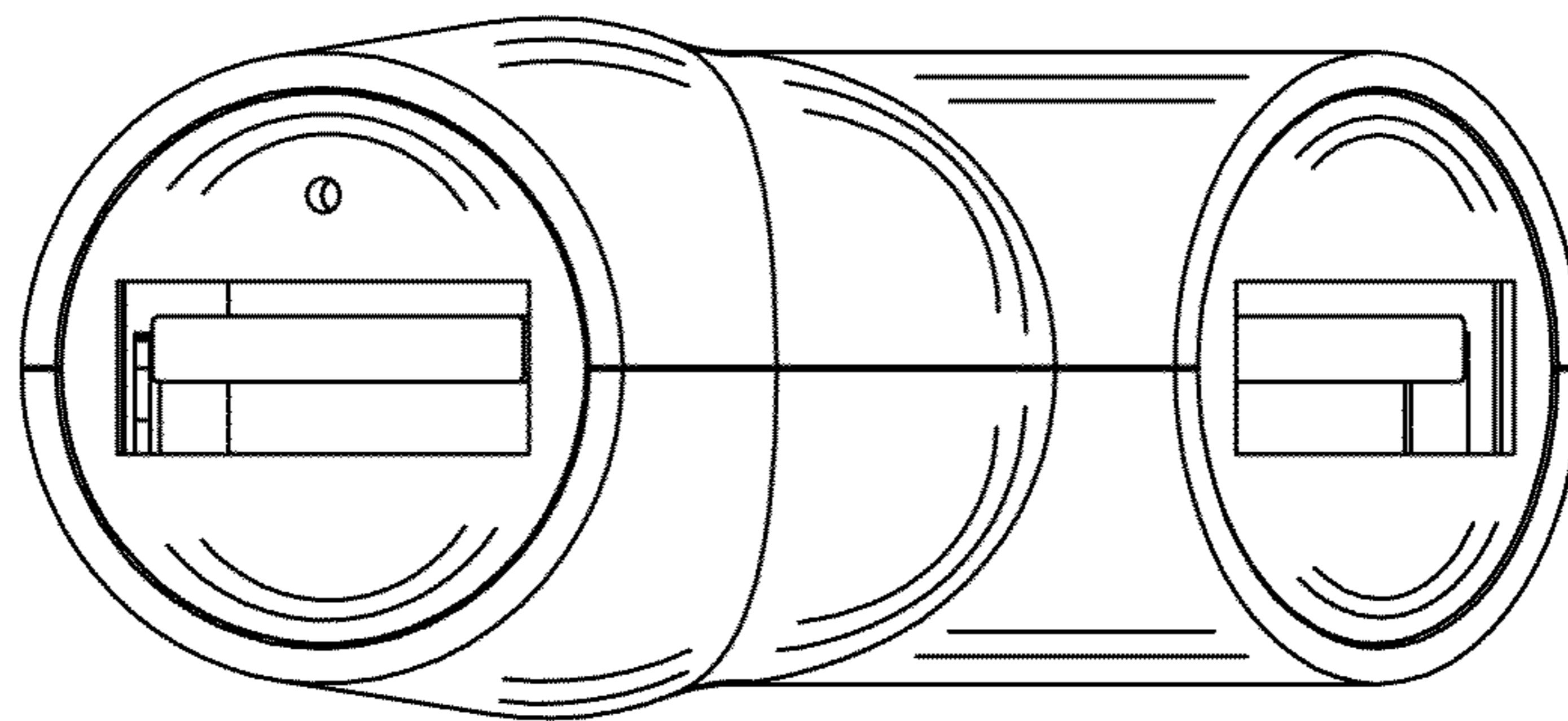


Fig.5

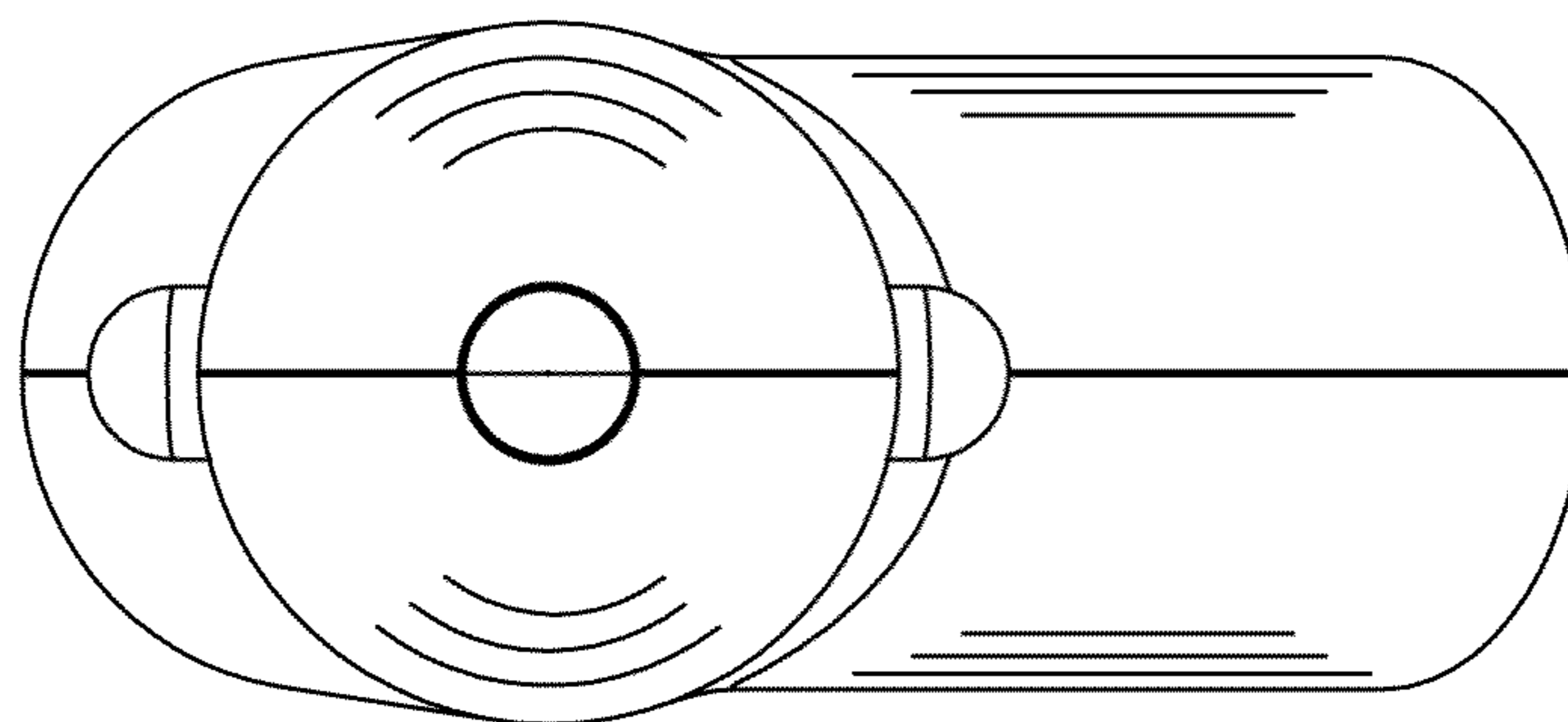


Fig.6

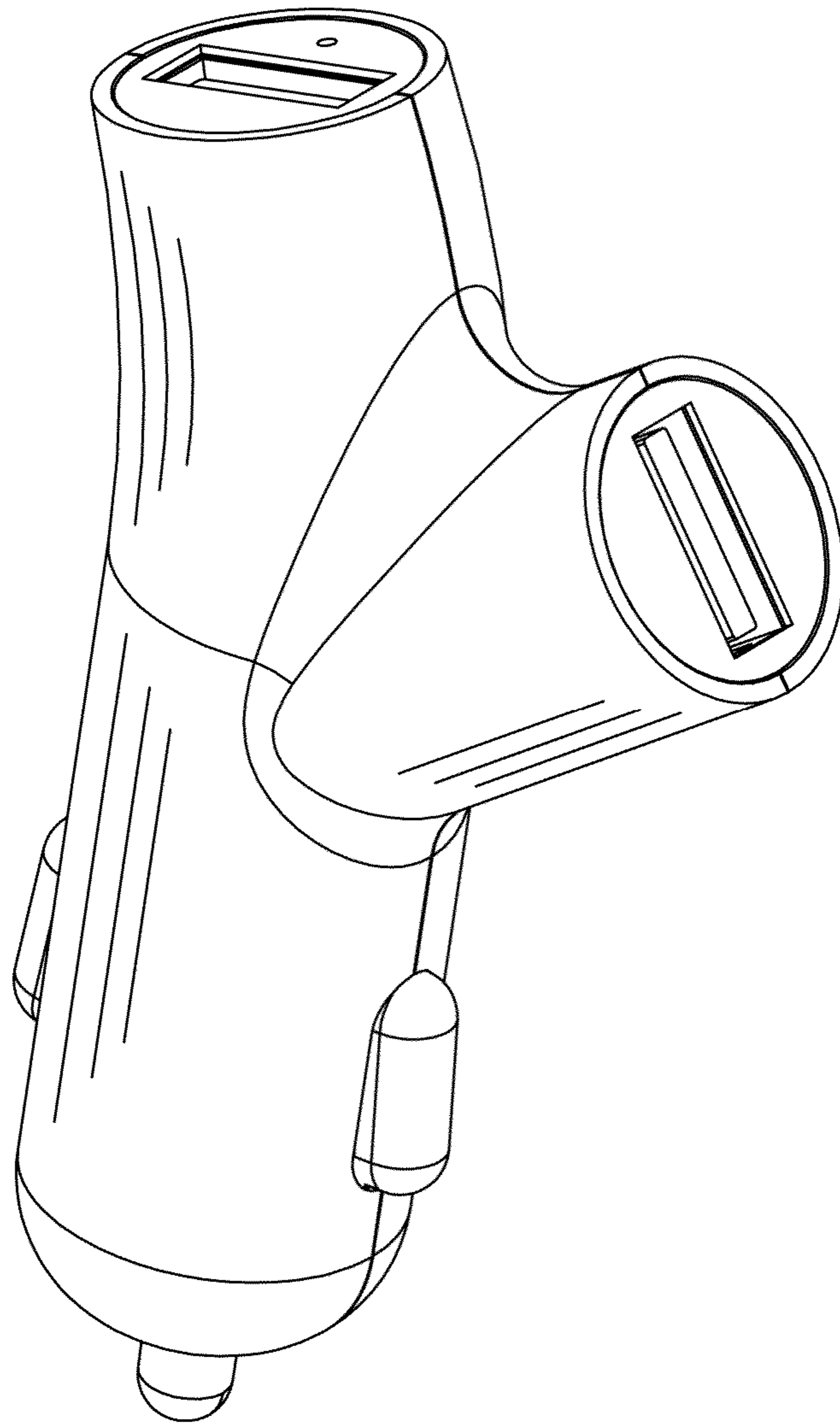


Fig.7

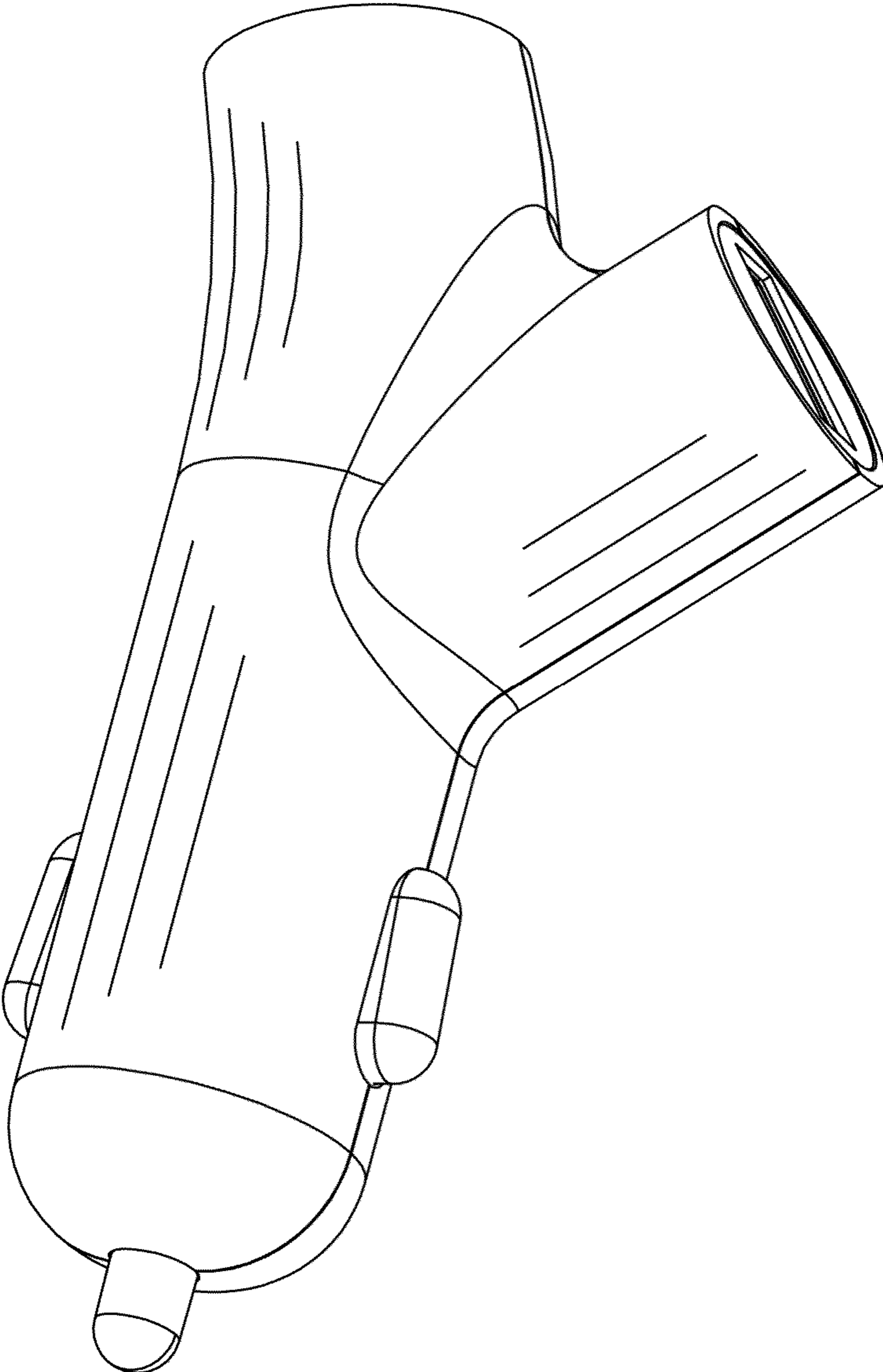


Fig.8