



US00D723465S

(12) **United States Design Patent**
Meyerhoffer

(10) **Patent No.:** **US D723,465 S**
(45) **Date of Patent:** **** Mar. 3, 2015**

(54) **CHARGING DEVICE**

(71) Applicant: **Thomas E. Meyerhoffer**, Montara, CA
(US)

(72) Inventor: **Thomas E. Meyerhoffer**, Montara, CA
(US)

(**) Term: **14 Years**

(21) Appl. No.: **29/484,040**

(22) Filed: **Mar. 5, 2014**

(51) **LOC (10) Cl.** **13-03**

(52) **U.S. Cl.**
USPC **D13/144**

(58) **Field of Classification Search**
USPC D13/144, 101, 107, 108, 110, 118, 119,
D13/133, 184, 199; D14/155, 432, 433,
D14/434, 435.1, 356, 480.1, 480.6, 480.7;
320/107, 108, 109, 110, 111, 112, 113,
320/114, 115; 439/300, 620.01, 638, 668,
439/669, 675, 825; 363/146; D24/114, 130
See application file for complete search history.

(56) **References Cited**

U.S. PATENT DOCUMENTS

D300,349 S * 3/1989 Ennis, III D23/231
D314,178 S * 1/1991 Reber D13/144
D474,448 S * 5/2003 Bosch D13/144
D505,389 S * 5/2005 Chang D13/107

D557,658 S * 12/2007 Ledbetter et al. D13/108
D585,375 S * 1/2009 Andre et al. D13/133
D618,618 S * 6/2010 Lee et al. D13/144
D632,653 S * 2/2011 Wikel et al. D13/144

* cited by examiner

Primary Examiner — Derrick Holland

(74) *Attorney, Agent, or Firm* — Mahamedi Paradise LLP

(57) **CLAIM**

The ornamental design for a charging device, as shown and described.

DESCRIPTION

FIG. 1 is a front perspective view of a charging device showing my new design.

FIG. 2 is a front view of the charging device of FIG. 1.

FIG. 3 is a back view of the charging device of FIG. 1.

FIG. 4 is a top view of the charging device of FIG. 1.

FIG. 5 is a bottom view of the charging device of FIG. 1.

FIG. 6 is a right side view of the charging device of FIG. 1.

FIG. 7 is a left side view of the charging device of FIG. 1.

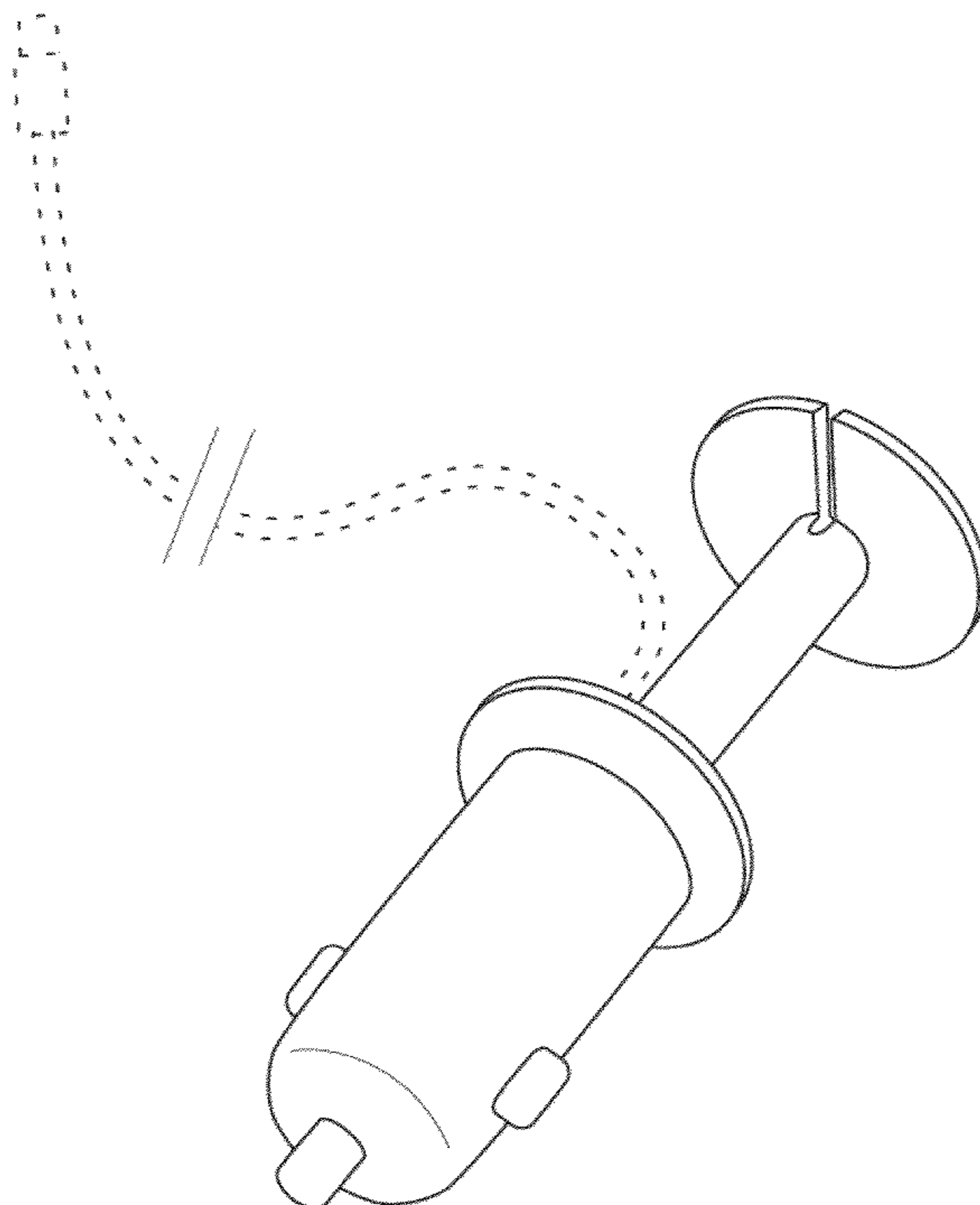
FIG. 8 is another front perspective view of the charging device of FIG. 1, shown in an alternate environmental use.

FIG. 9 is another front view of the charging device of FIG. 1, shown in an alternate environmental use; and,

FIG. 10 is another bottom view of the charging device of FIG. 1, shown in an alternate environmental use.

The broken lines shown represent unclaimed subject matter and form no part of the claimed design.

1 Claim, 8 Drawing Sheets



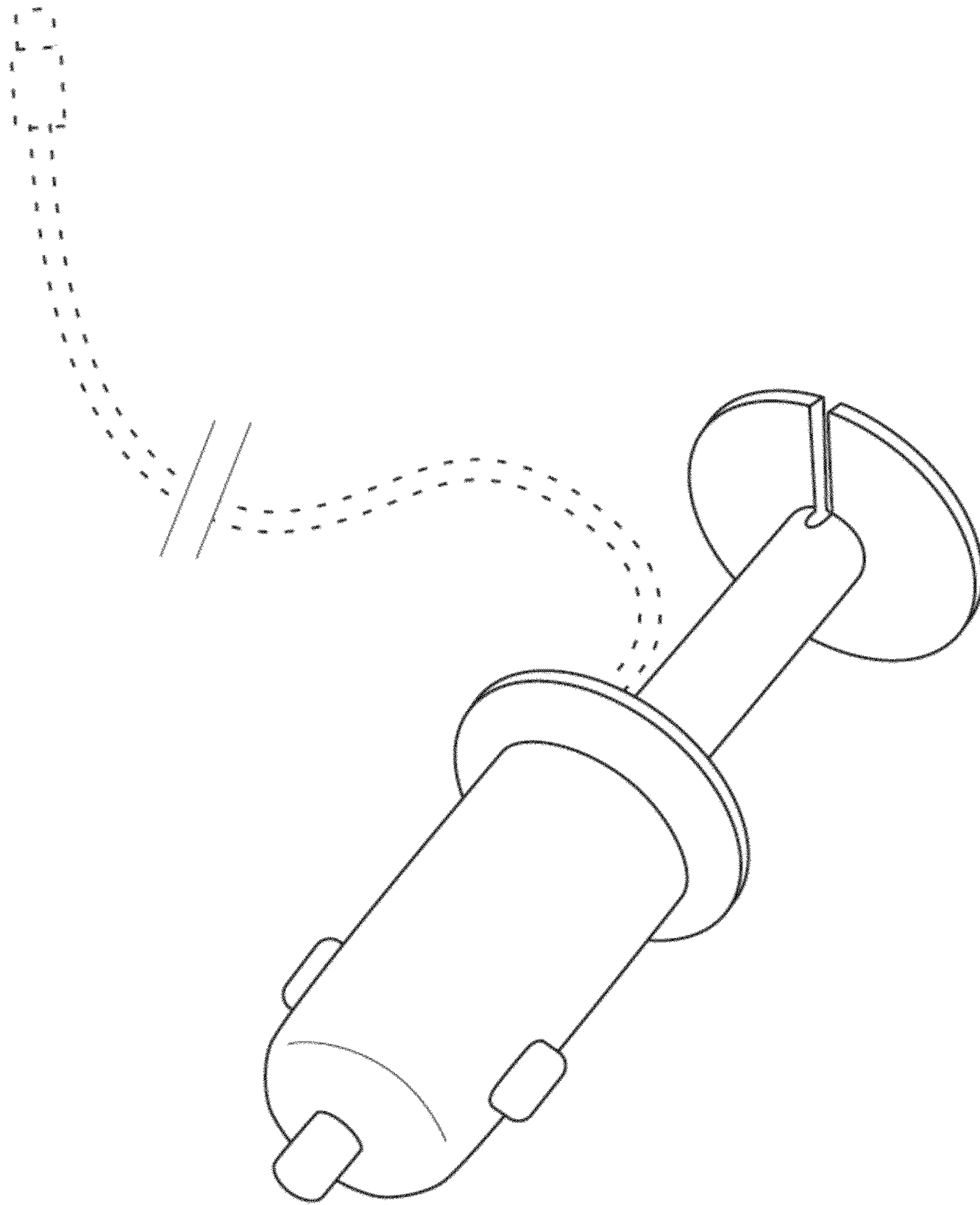


FIG. 1

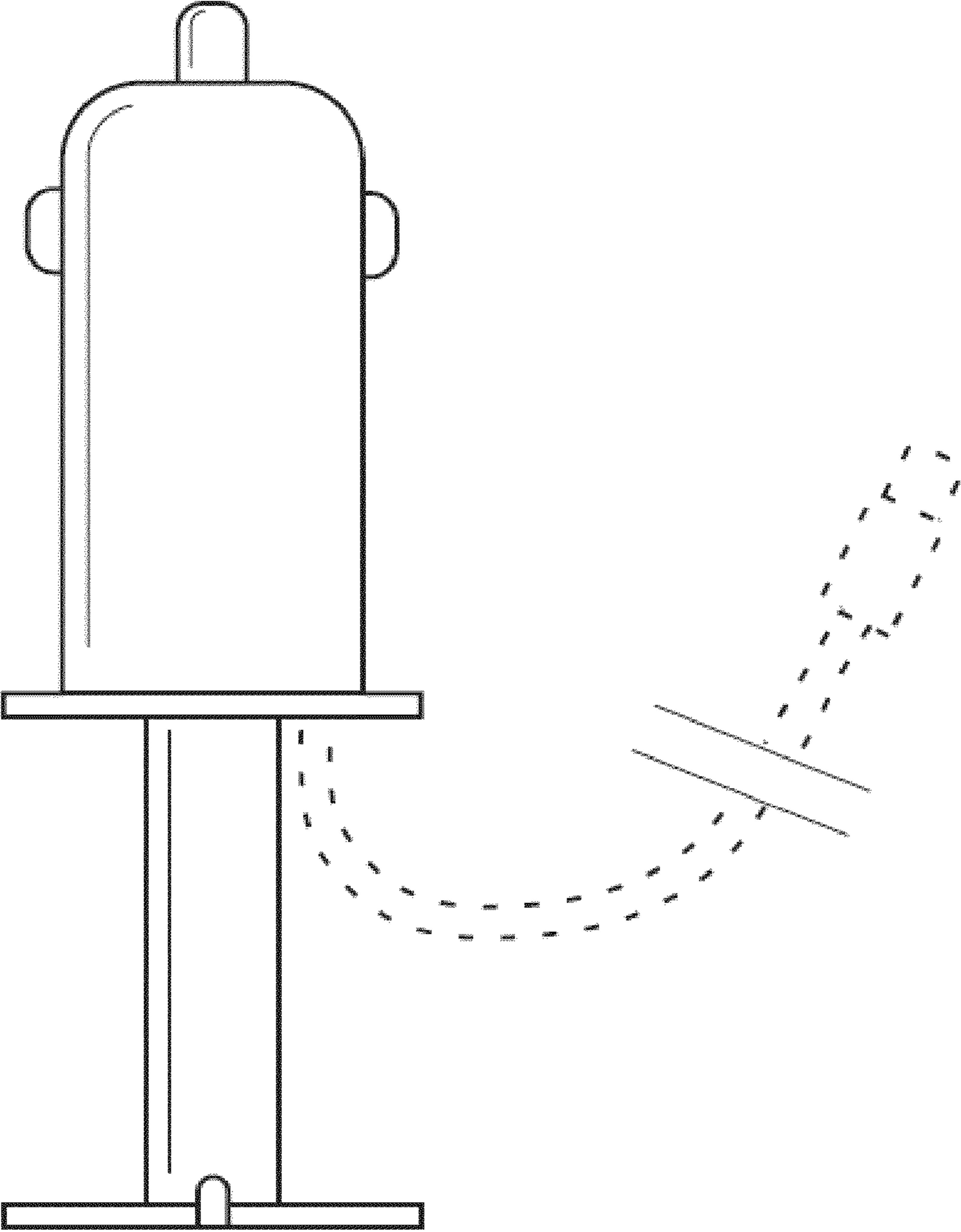


FIG. 2

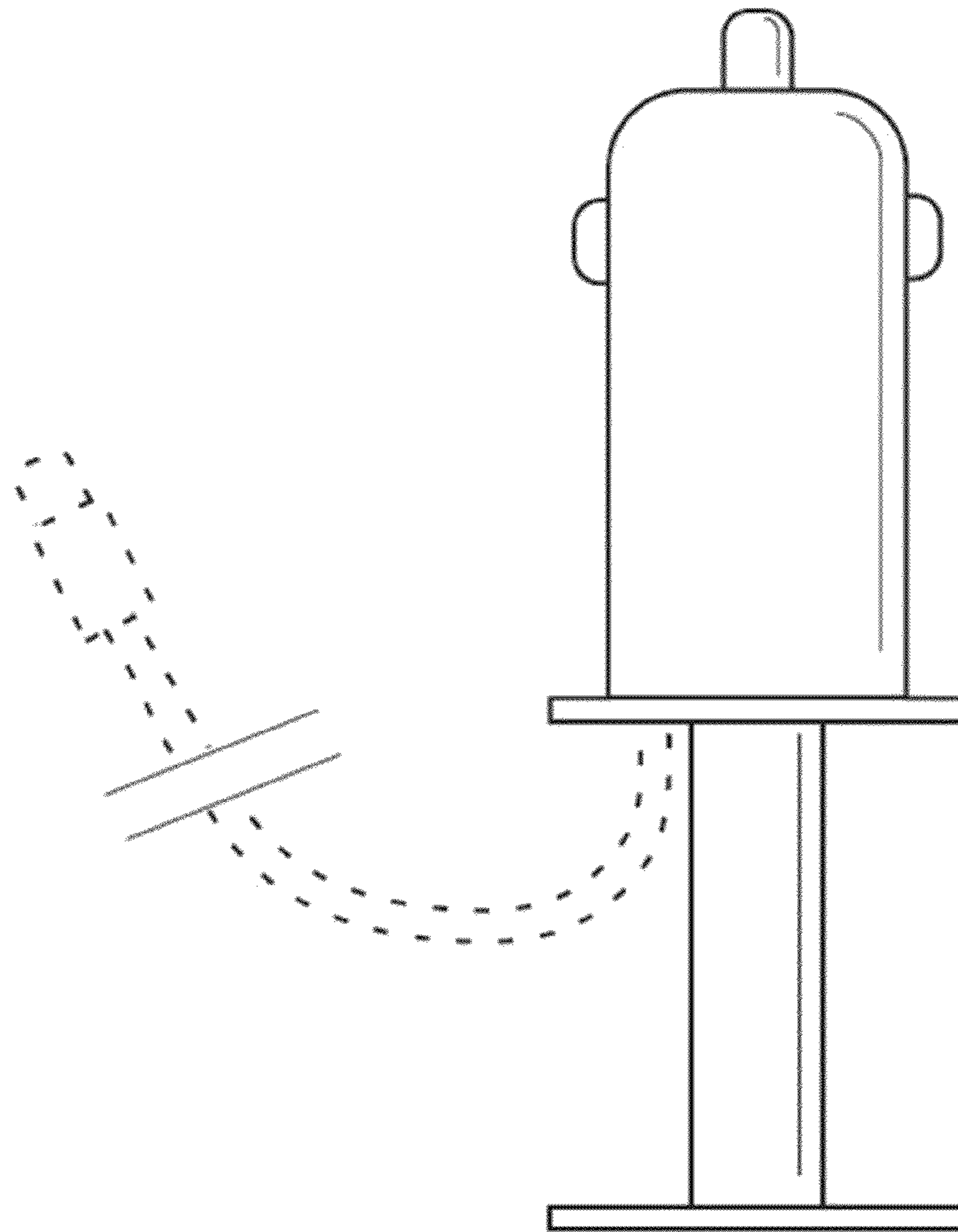


FIG. 3

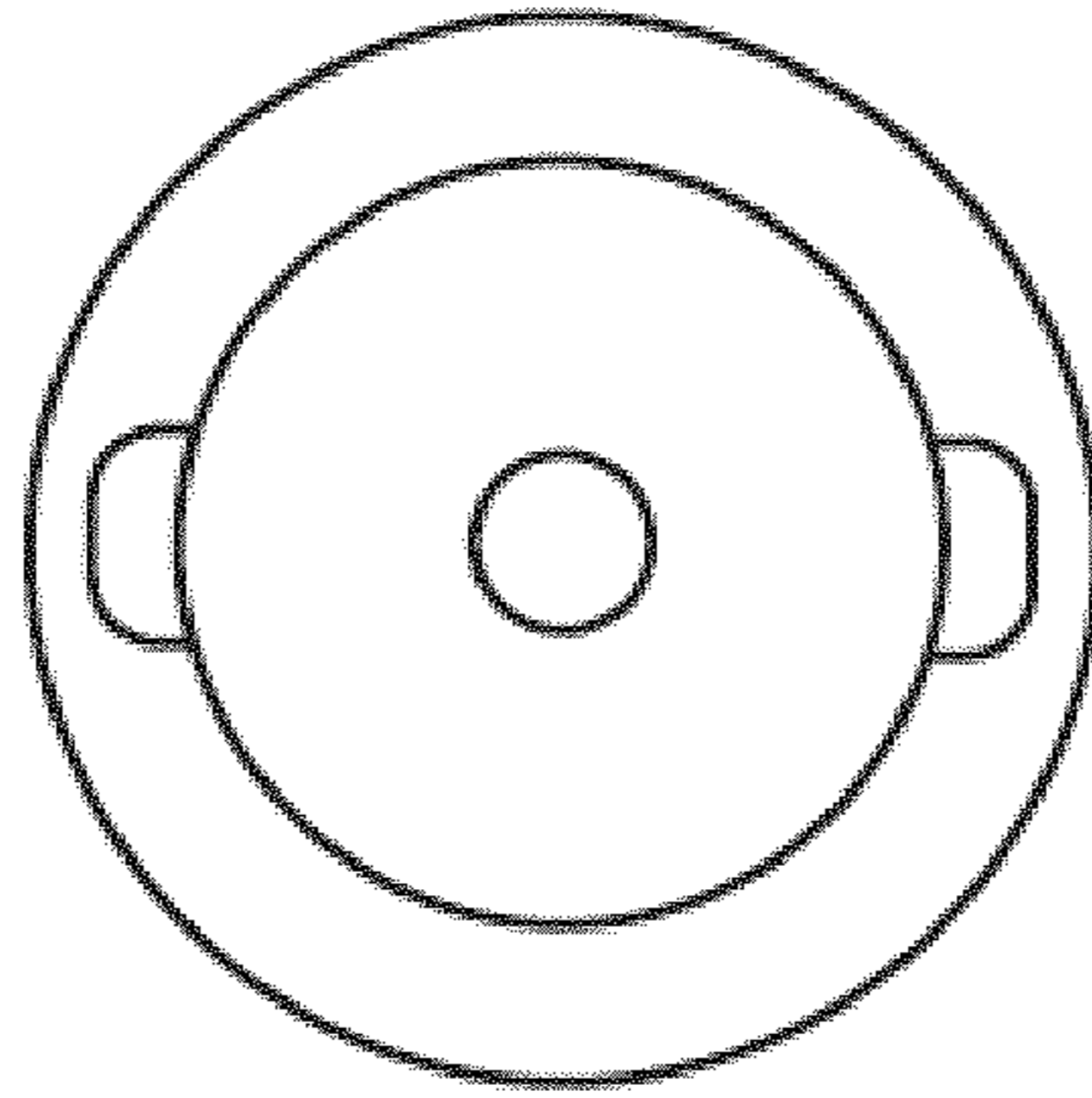


FIG. 4

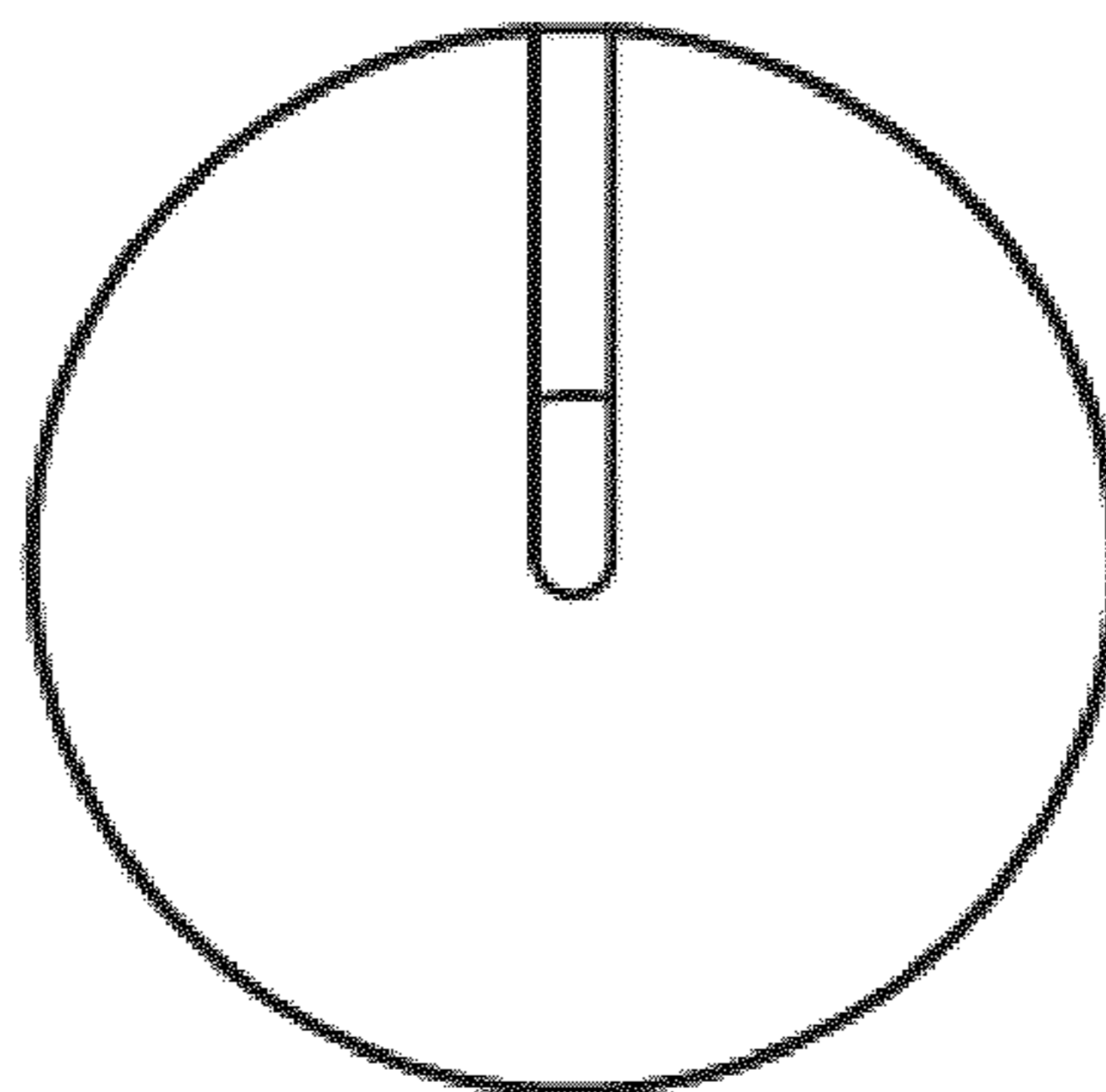


FIG. 5

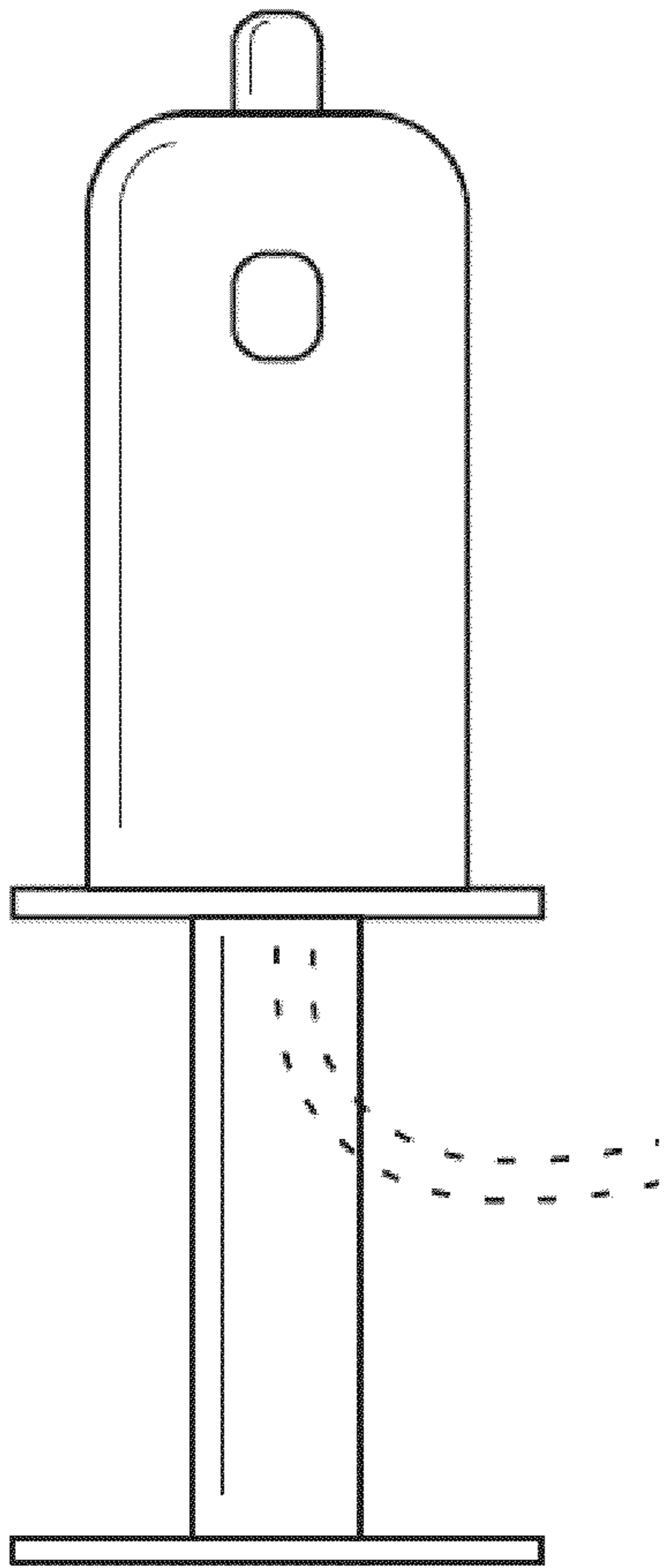


FIG. 6

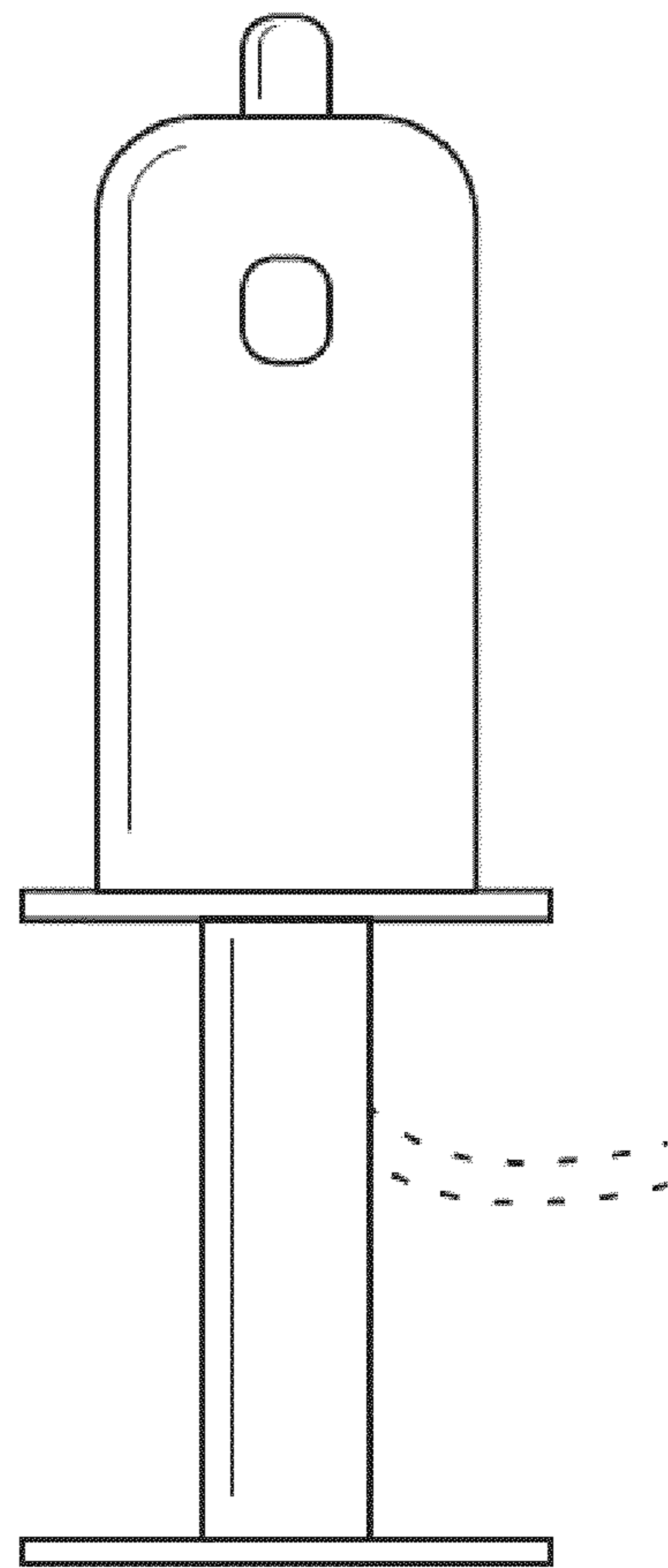


FIG. 7

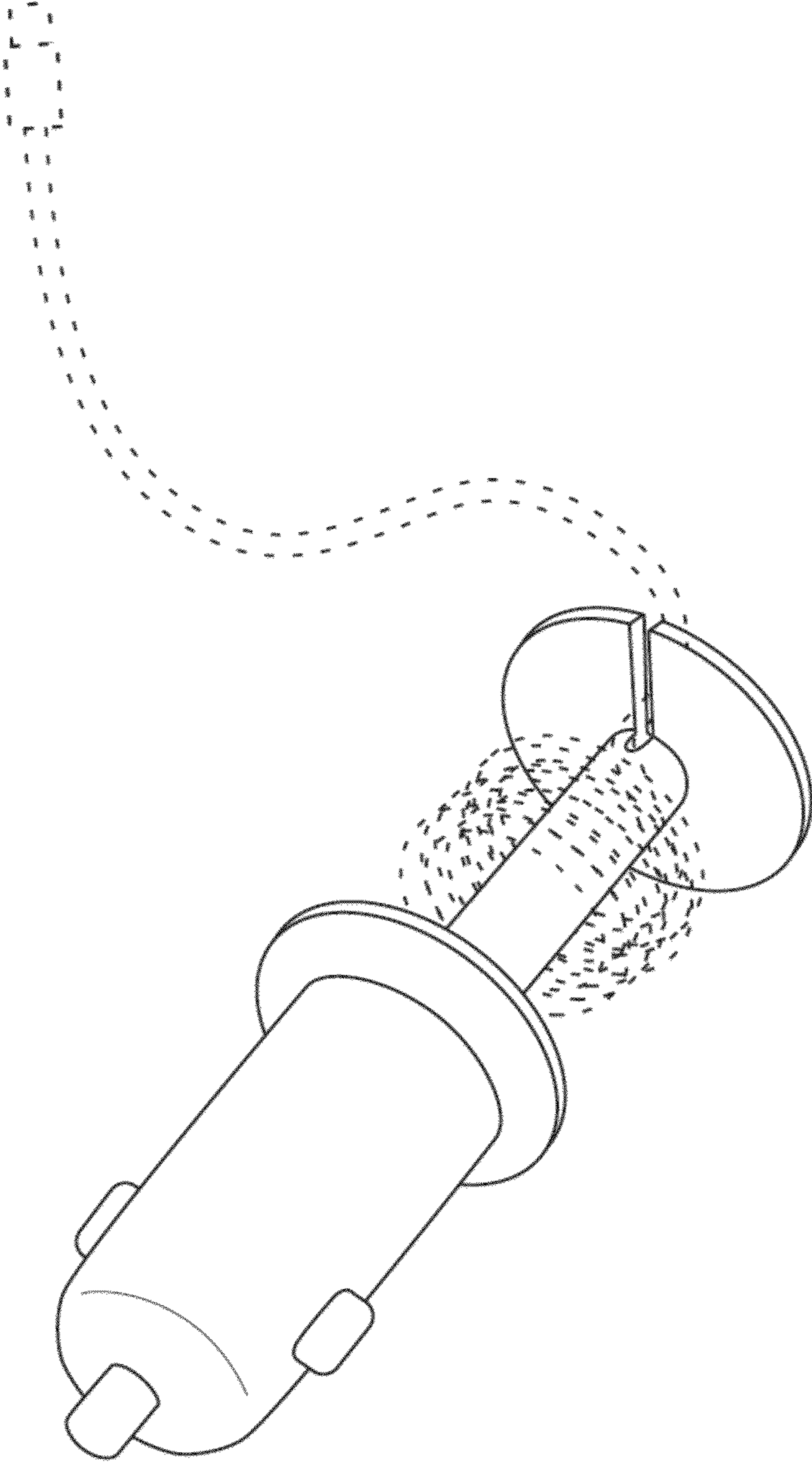


FIG. 8

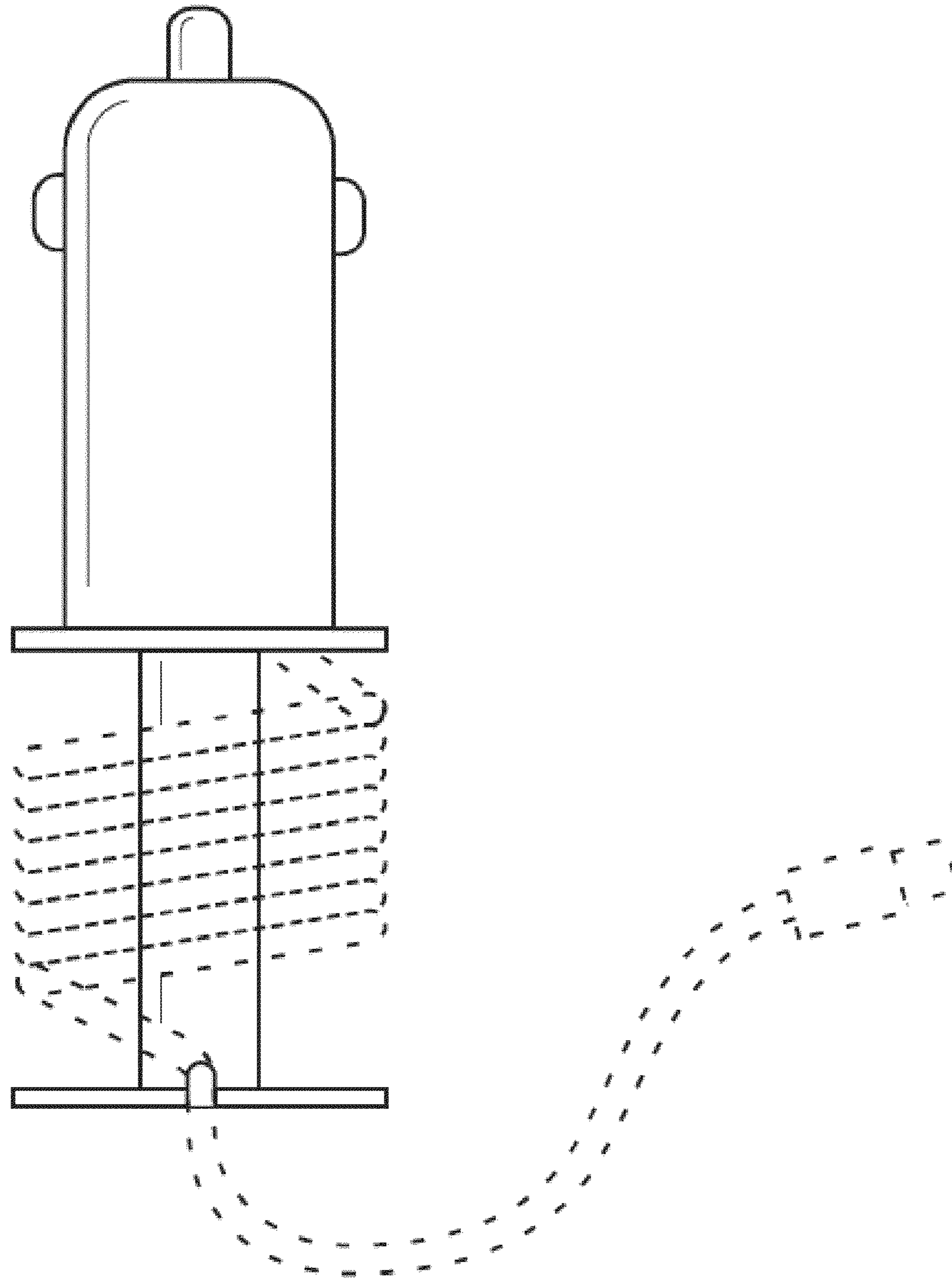


FIG. 9

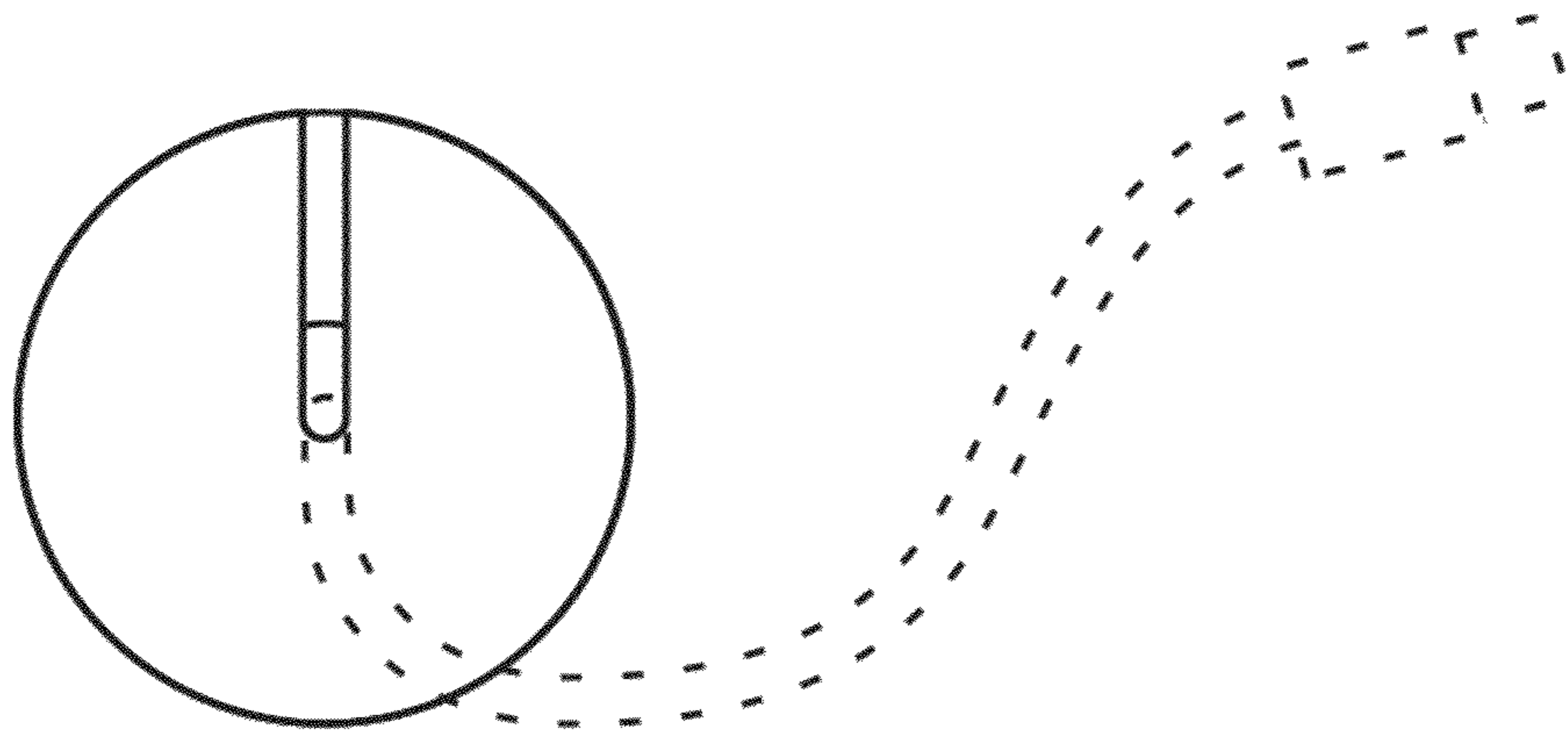


FIG. 10