



US00D723463S

(12) **United States Design Patent**  
**Tio et al.**

(10) **Patent No.:** **US D723,463 S**  
(45) **Date of Patent:** **\*\* Mar. 3, 2015**

(54) **INDUSTRIAL CONTROL COMPONENT  
FEMALE CONNECTOR INTERFACE**

(75) Inventors: **Yuen Leong Donald Tio**, Singapore (SG); **Scott Peter Miles**, Belgium, WI (US); **Yang Yueng Melvin Yap**, Singapore (SG)

(73) Assignee: **Rockwell Automation Asia Pacific Business Center Pte. Ltd.**, Singapore (SG)

(\*\*) Term: **14 Years**

(21) Appl. No.: **29/432,434**

(22) Filed: **Sep. 14, 2012**

(51) **LOC (10) Cl.** ..... **13-02**

(52) **U.S. Cl.**  
USPC ..... **D13/110**

(58) **Field of Classification Search**  
USPC ..... D13/110, 101, 118, 123, 146, 147, 154, D13/184, 199; D14/300, 301, 302, 308, D14/432, 433; 307/150-152; 361/600, 601, 361/622, 702, 703, 730, 796, 809; 363/141, 363/142; 439/62, 79, 260, 329, 395, 422, 439/499

See application file for complete search history.

(56) **References Cited**

U.S. PATENT DOCUMENTS

D360,228	S	*	7/1995	Dabrowski	.....	D20/8
6,061,237	A	*	5/2000	Sands et al.	.....	361/695
6,331,933	B1	*	12/2001	Rumney	.....	361/622
6,580,605	B1	*	6/2003	Kutaragi et al.	.....	361/679.33
D526,277	S	*	8/2006	Wu	.....	D13/147
D562,246	S	*	2/2008	Matsuzaki et al.	.....	D13/147
D631,436	S	*	1/2011	Huang et al.	.....	D13/110

\* cited by examiner

*Primary Examiner* — Derrick Holland

(74) *Attorney, Agent, or Firm* — Fletcher Yoder, P.C.

(57) **CLAIM**

The ornamental design for an industrial control component female connector interface, as shown and described.

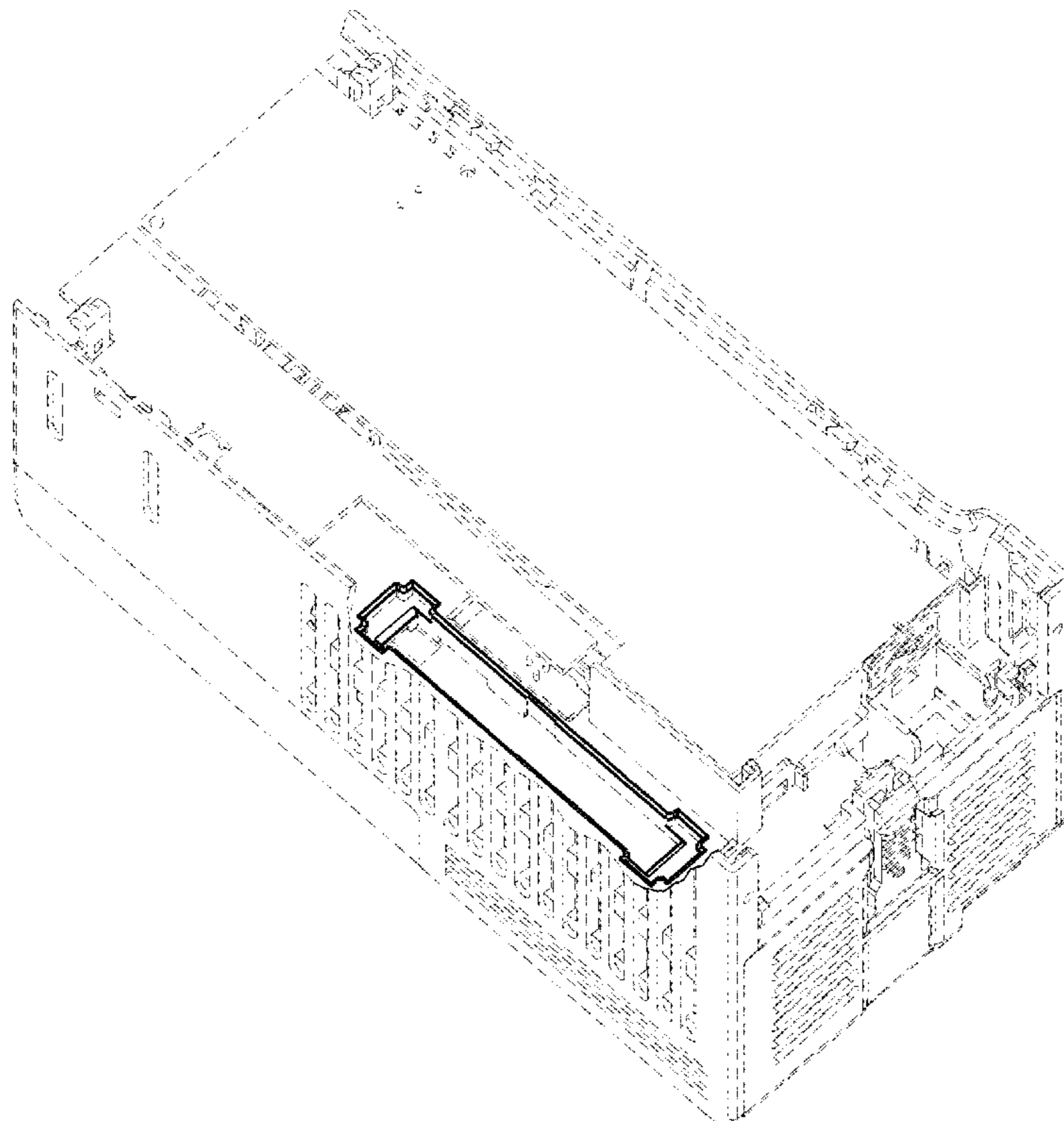
**DESCRIPTION**

FIG. 1 is a front, right and top perspective view of an industrial control component female connector interface showing our new design;

FIG. 2 is a front, left and top perspective view thereof; and, FIG. 3 is a top plan view thereof.

The broken lines shown represent unclaimed subject matter and form no part of the claimed design.

**1 Claim, 3 Drawing Sheets**



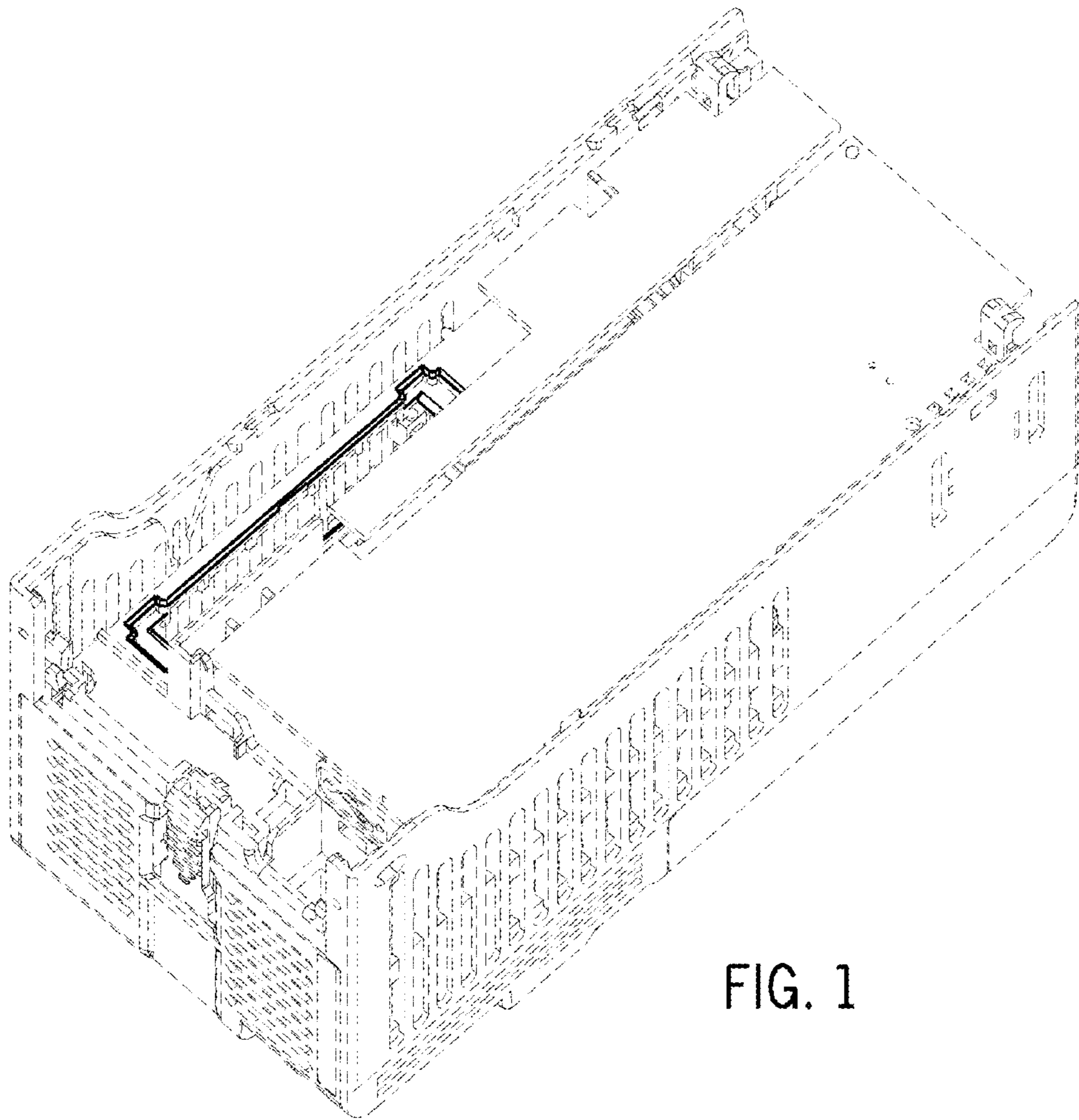


FIG. 1

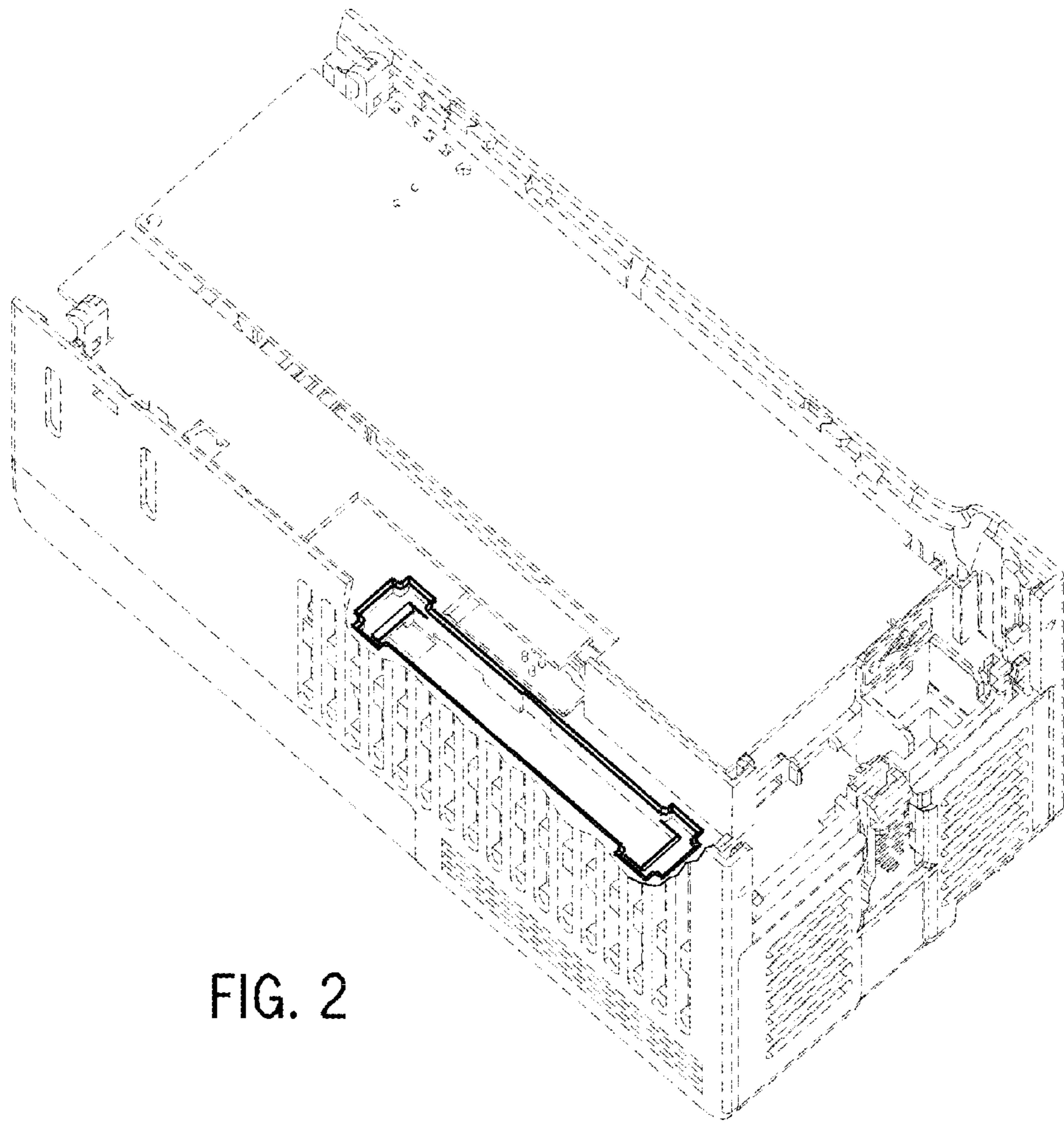


FIG. 2

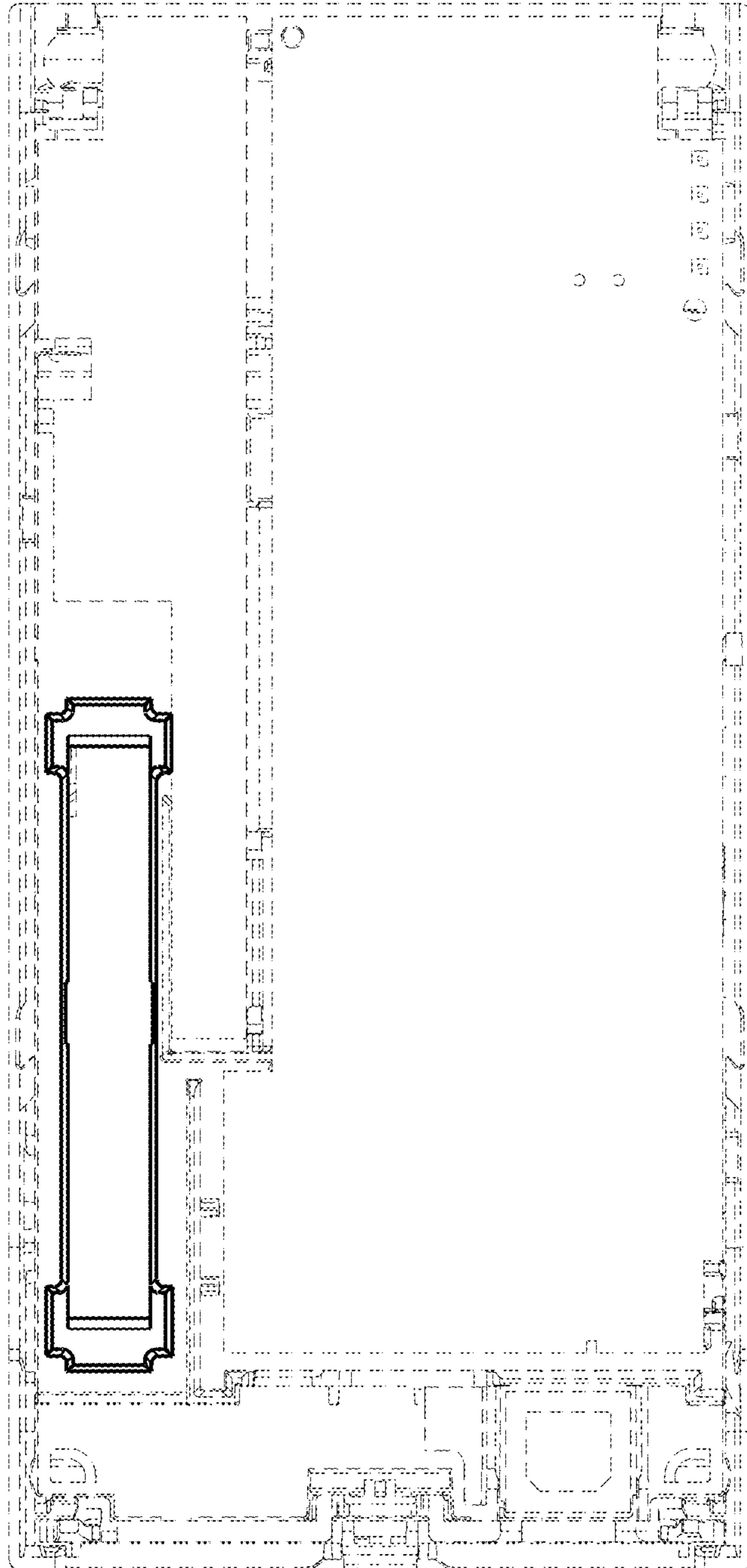


FIG. 3