



US00D723461S

(12) **United States Design Patent**
Chen

(10) **Patent No.:** **US D723,461 S**

(45) **Date of Patent:** **** Mar. 3, 2015**

(54) **WIRELESS CHARGING SPEAKER**

(71) Applicant: **Hon Hai Precision Industry Co., Ltd.**,
New Taipei (TW)

(72) Inventor: **Cheng-Pang Chen**, New Taipei (TW)

(73) Assignee: **Hon Hai Precision Industry Co., Ltd.**,
New Taipei (TW)

(**) Term: **14 Years**

(21) Appl. No.: **29/495,132**

(22) Filed: **Jun. 27, 2014**

(30) **Foreign Application Priority Data**

Jan. 2, 2014 (TW) 103300002

(51) **LOC (10) Cl.** **13-02**

(52) **U.S. Cl.**
USPC **D13/108**

(58) **Field of Classification Search**
USPC D13/107-110, 118-119, 184, 199;
D14/204, 209.1, 210, 213, 215, 216,
D14/221, 251, 253, 432, 434; 320/107-115,
320/128, 137-140; 181/199; 381/300, 332,
381/334, 336

See application file for complete search history.

(56) **References Cited**

U.S. PATENT DOCUMENTS

D487,076 S * 2/2004 Nakane et al. D14/216
D526,973 S * 8/2006 Gates et al. D13/184
D527,374 S * 8/2006 Tyneski et al. D14/216

D537,409 S * 2/2007 Suzuki D13/108
D544,547 S * 6/2007 Solland D21/333
D567,224 S * 4/2008 Laituri et al. D14/216
D607,435 S * 1/2010 Jiang D14/209.1
D608,277 S * 1/2010 Cano et al. D13/108
D609,636 S * 2/2010 Jensen D13/108
D618,212 S * 6/2010 Jiang et al. D14/209.1
D637,951 S * 5/2011 Perez D13/108
D643,408 S * 8/2011 Huang D14/216
8,188,842 B2 * 5/2012 Otsuka et al. 340/12.22
D661,930 S * 6/2012 Gebski D6/534
D671,095 S * 11/2012 Ching D14/210
D689,231 S * 9/2013 Crawford et al. D26/51
D693,814 S * 11/2013 Park D14/434
D701,831 S * 4/2014 Park et al. D13/108
D706,212 S * 6/2014 Zwierstra et al. D13/107
2009/0102419 A1 * 4/2009 Gwon et al. 320/108

* cited by examiner

Primary Examiner — Rosemary K Tarcza

(74) *Attorney, Agent, or Firm* — Ming Chieh Chang; Wei Te Chung

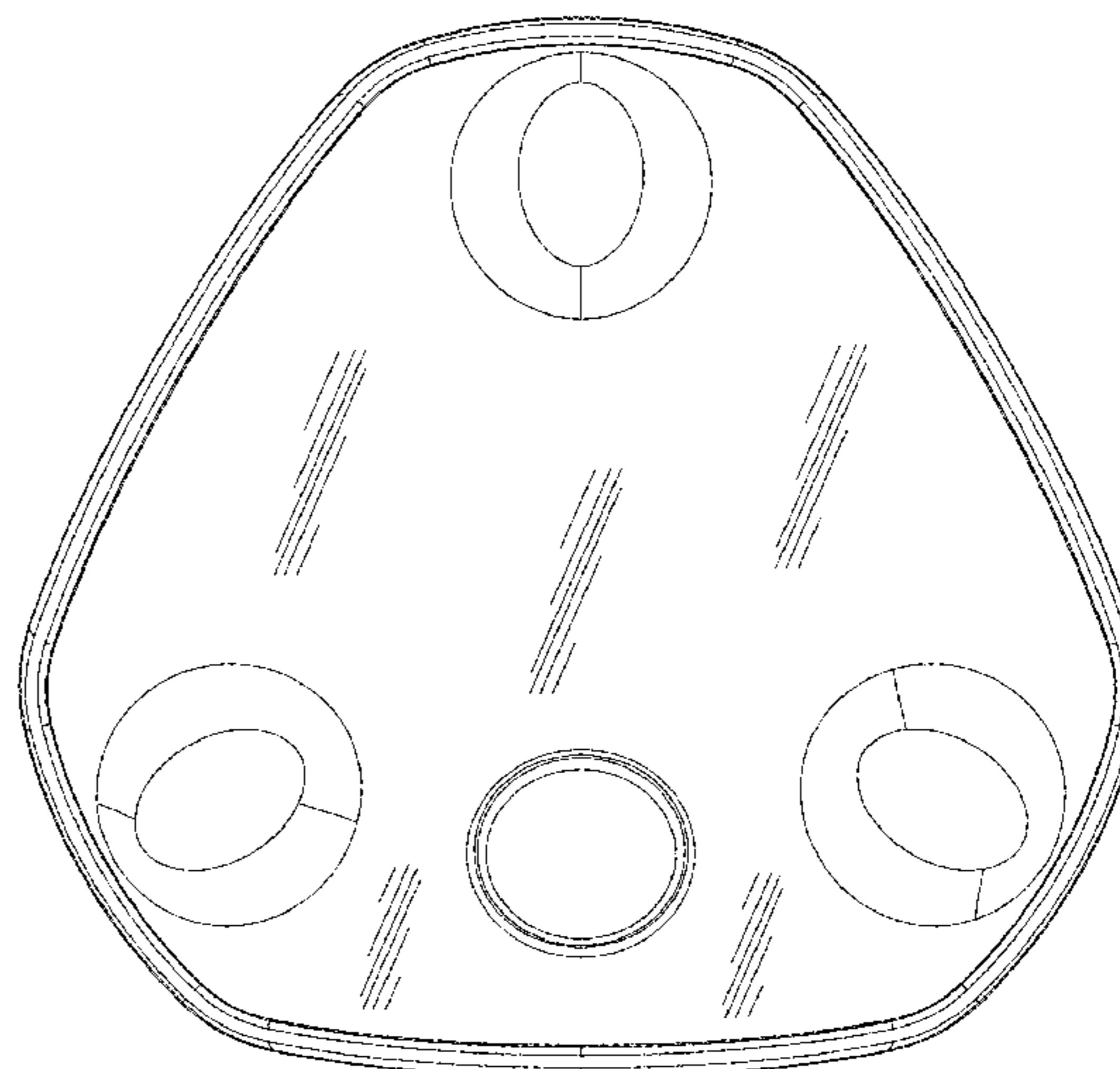
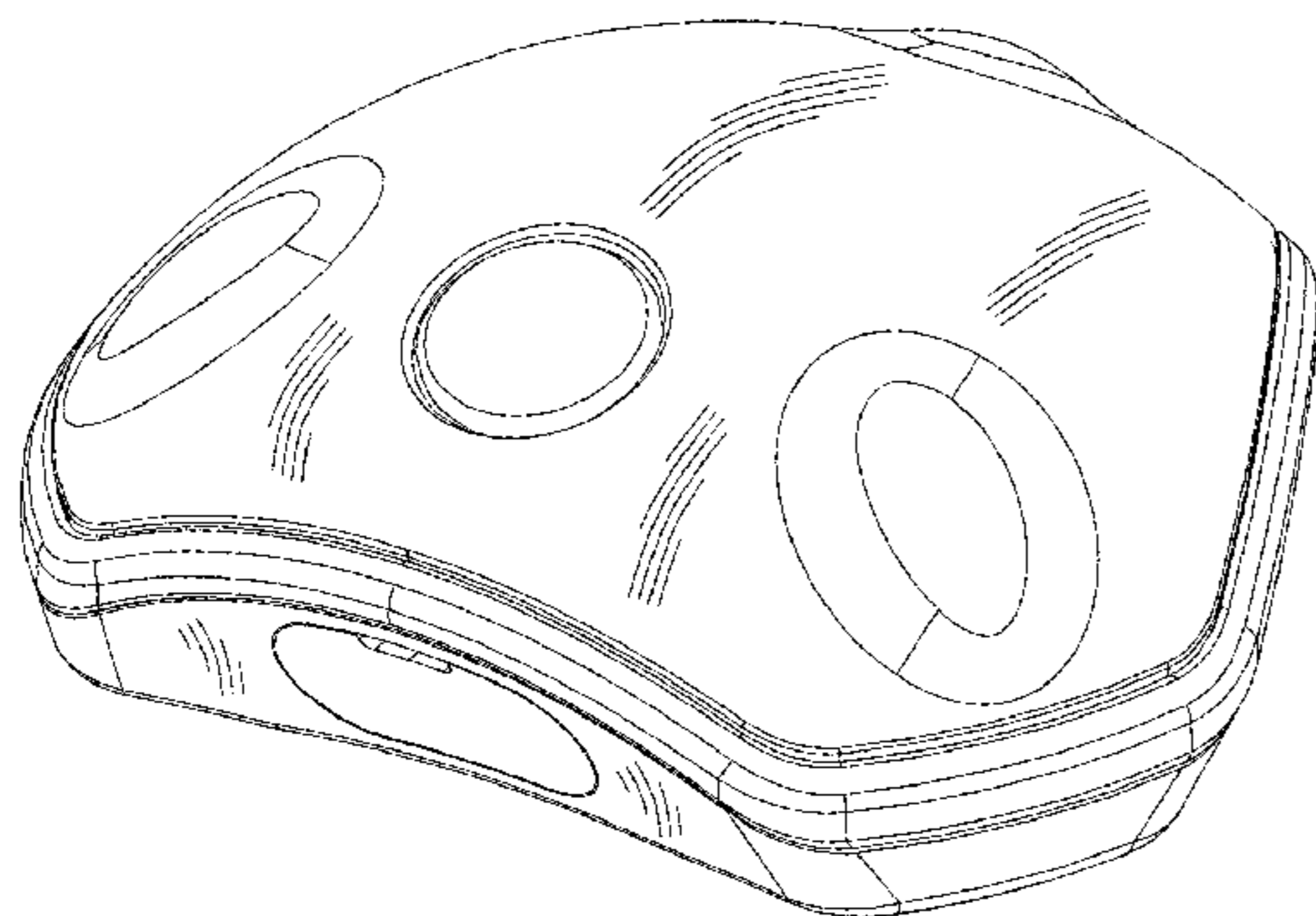
(57) **CLAIM**

The ornamental design for a wireless charging speaker, as shown.

DESCRIPTION

FIG. 1 is a front, top, and right side perspective view of a wireless charging speaker showing my new design;
FIG. 2 is a front elevational view thereof;
FIG. 3 is a rear elevational view thereof;
FIG. 4 is a left side elevational view thereof;
FIG. 5 is a right side elevational view thereof;
FIG. 6 is a top plan view thereof; and,
FIG. 7 is a bottom plan view thereof.

1 Claim, 7 Drawing Sheets



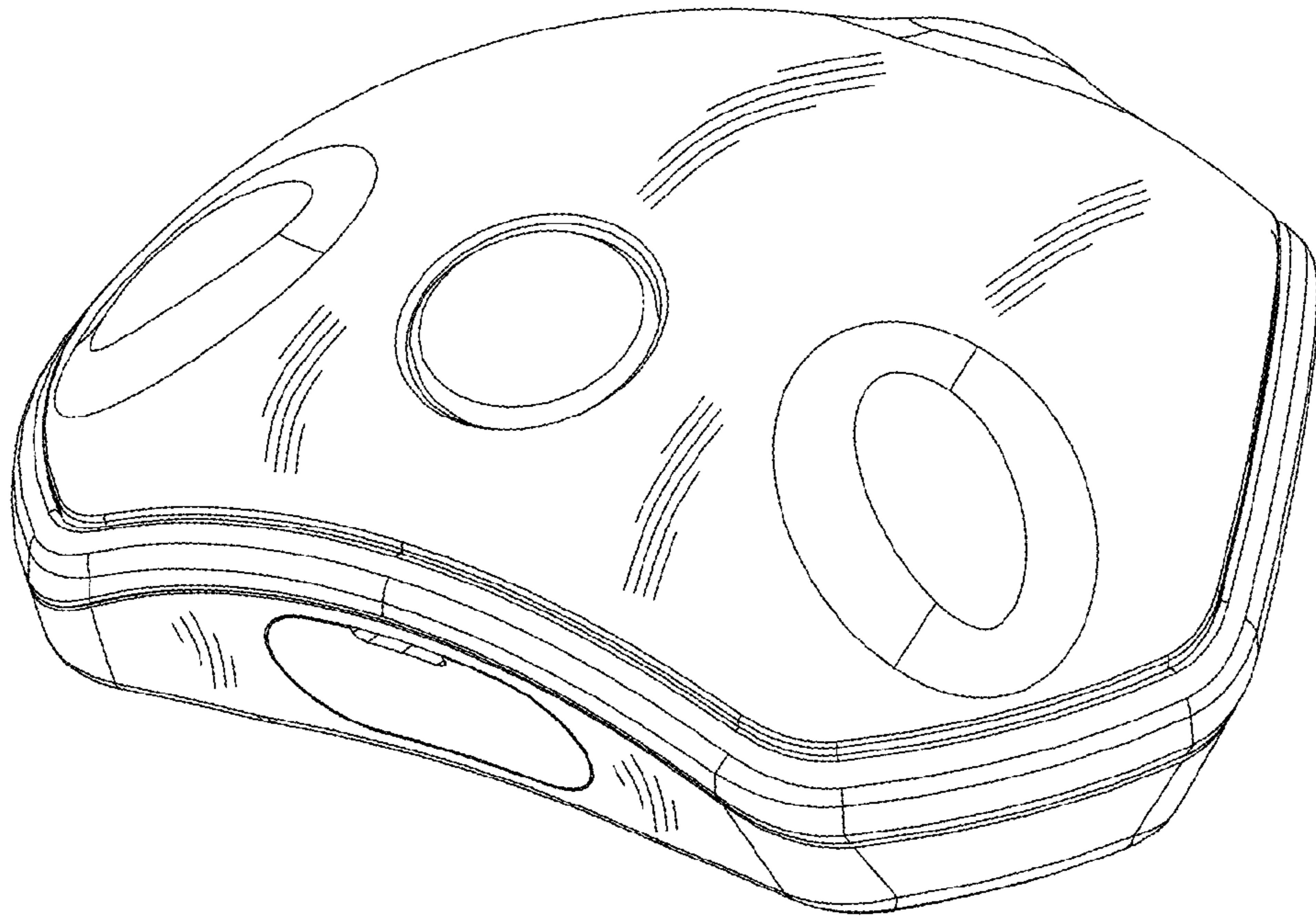


FIG. 1

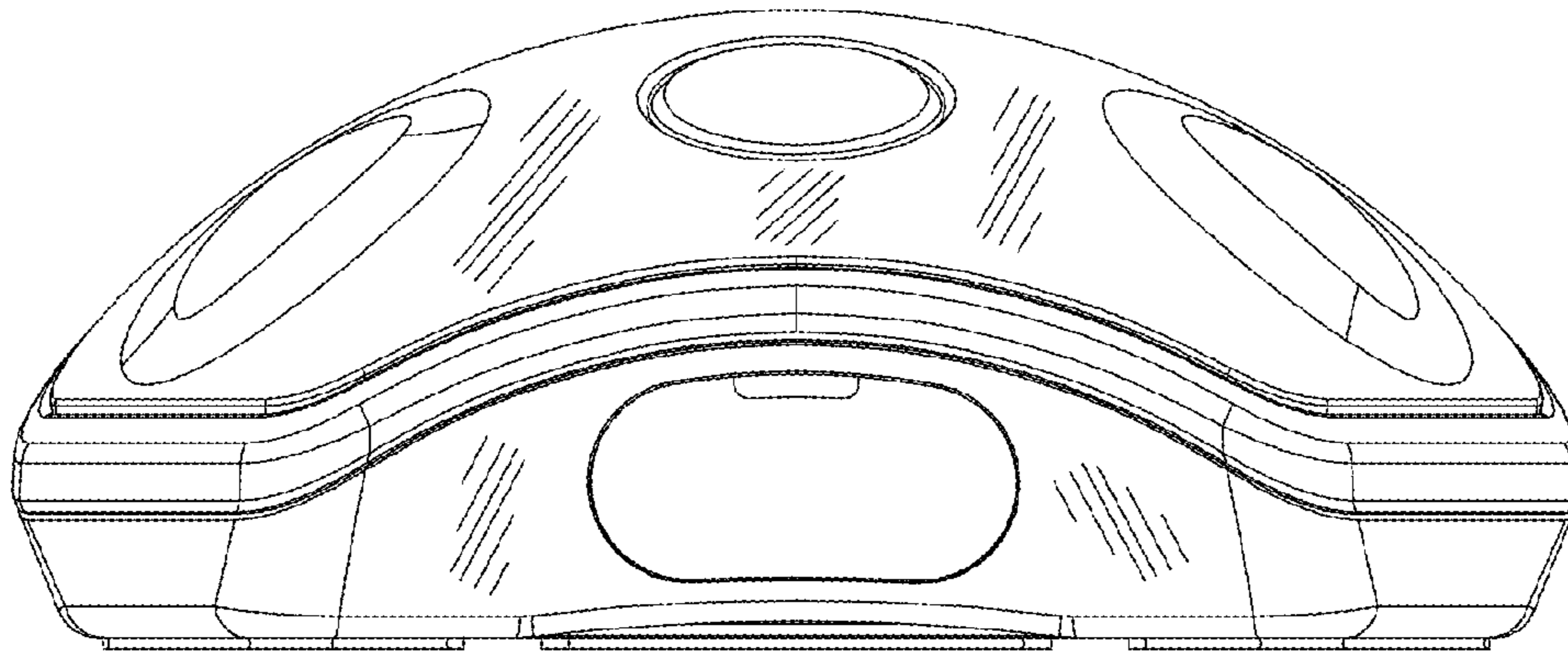


FIG. 2

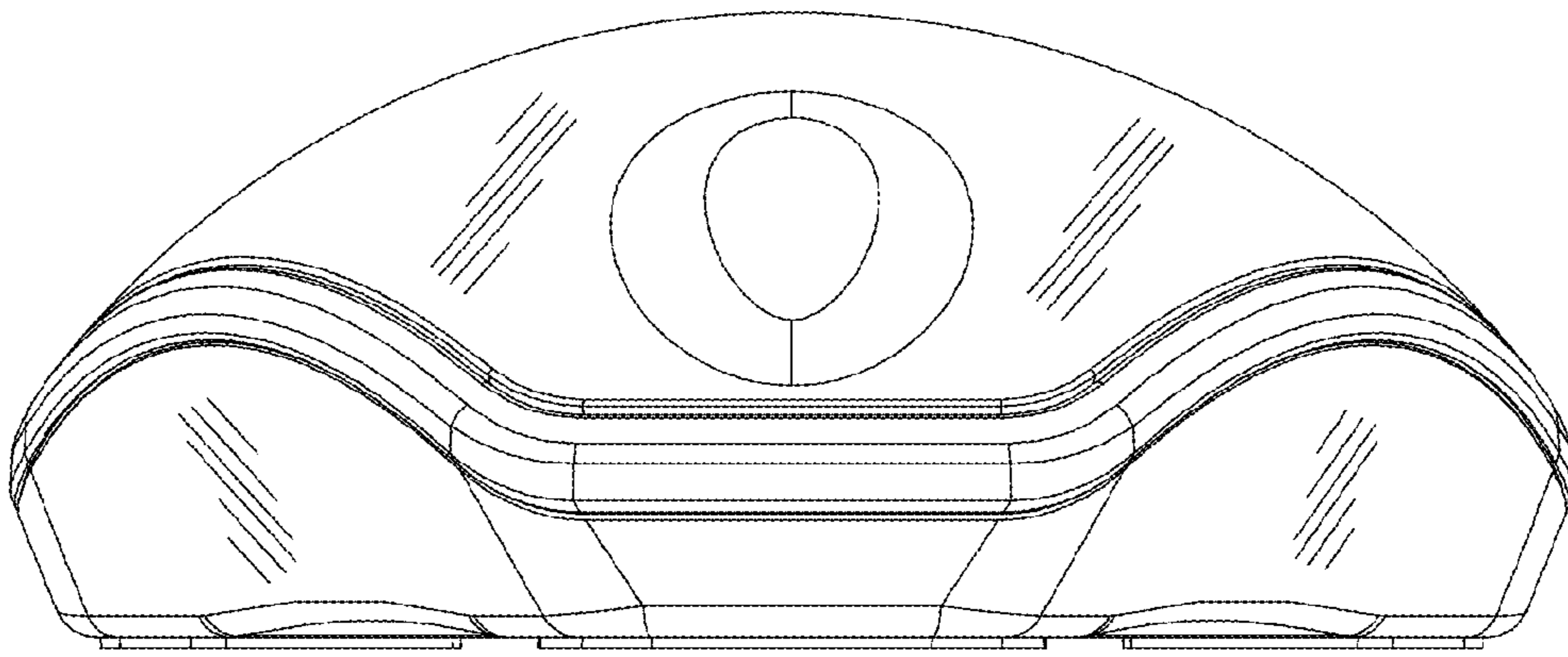


FIG. 3

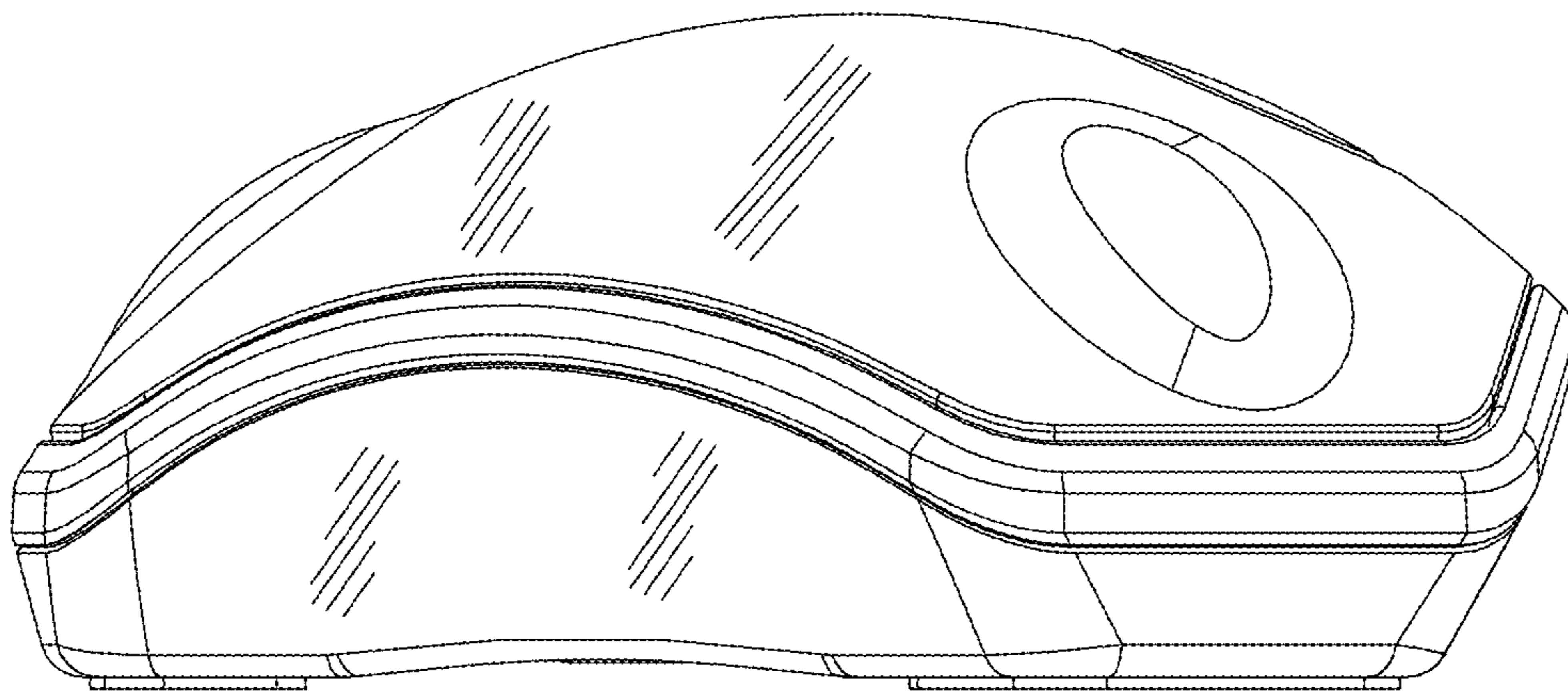


FIG. 4

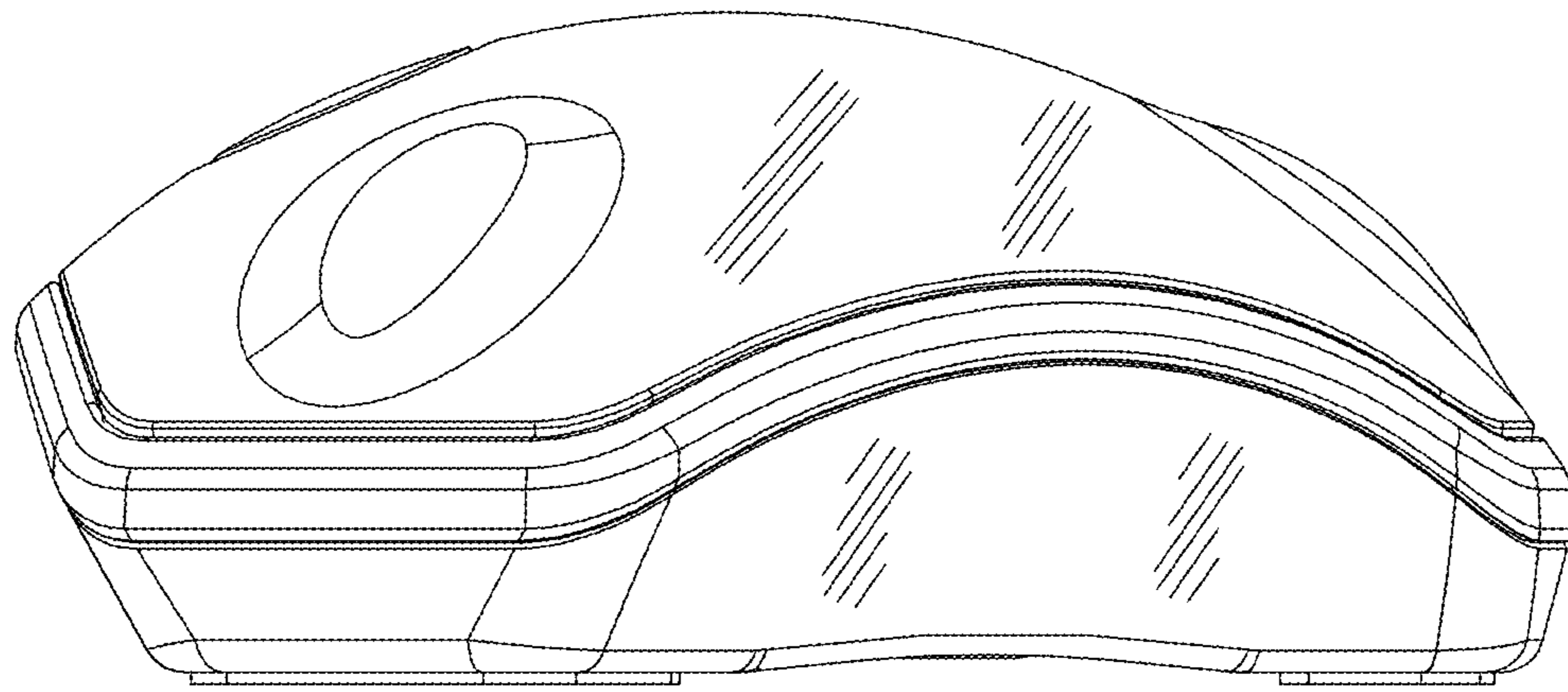


FIG. 5

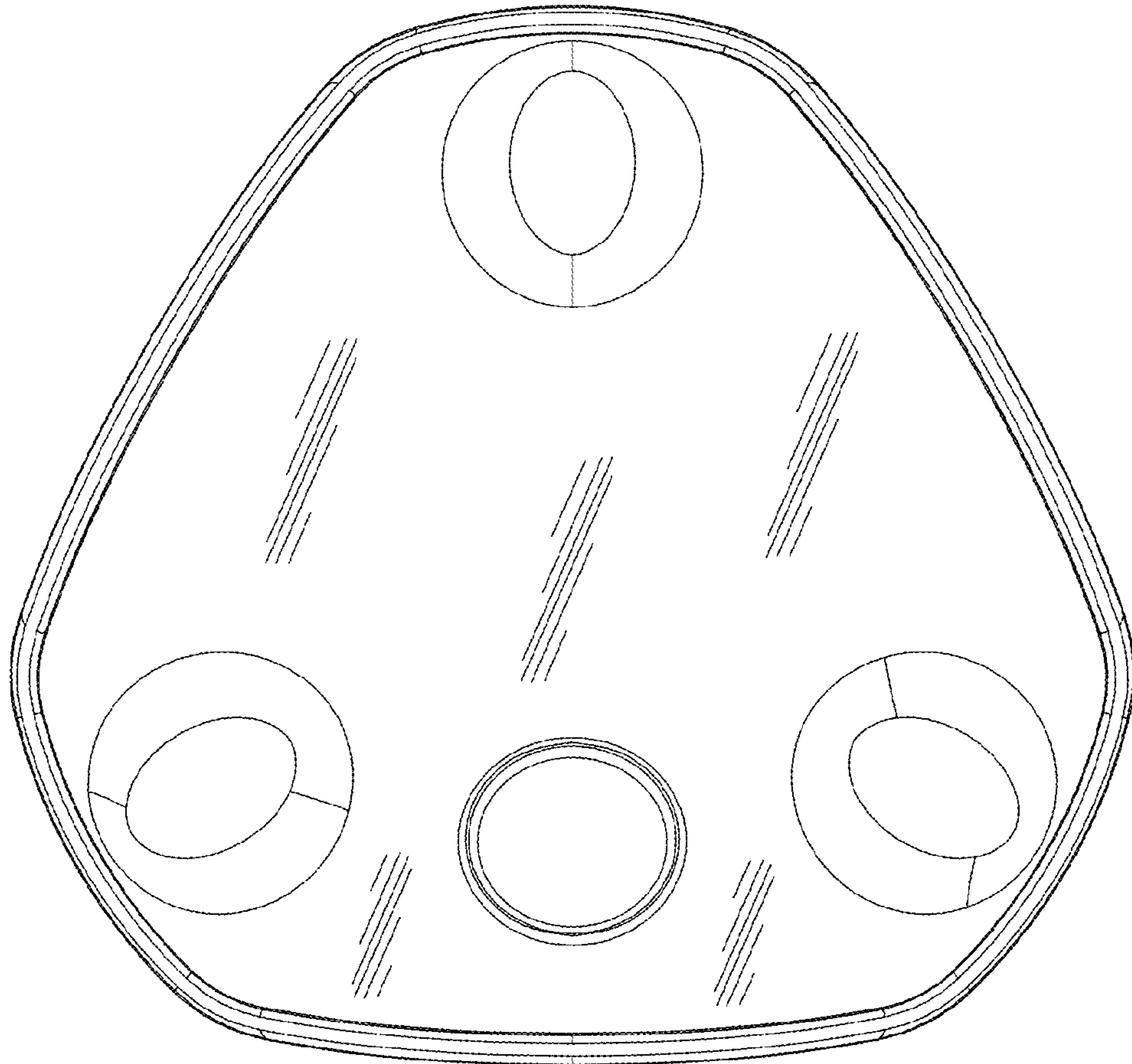


FIG. 6

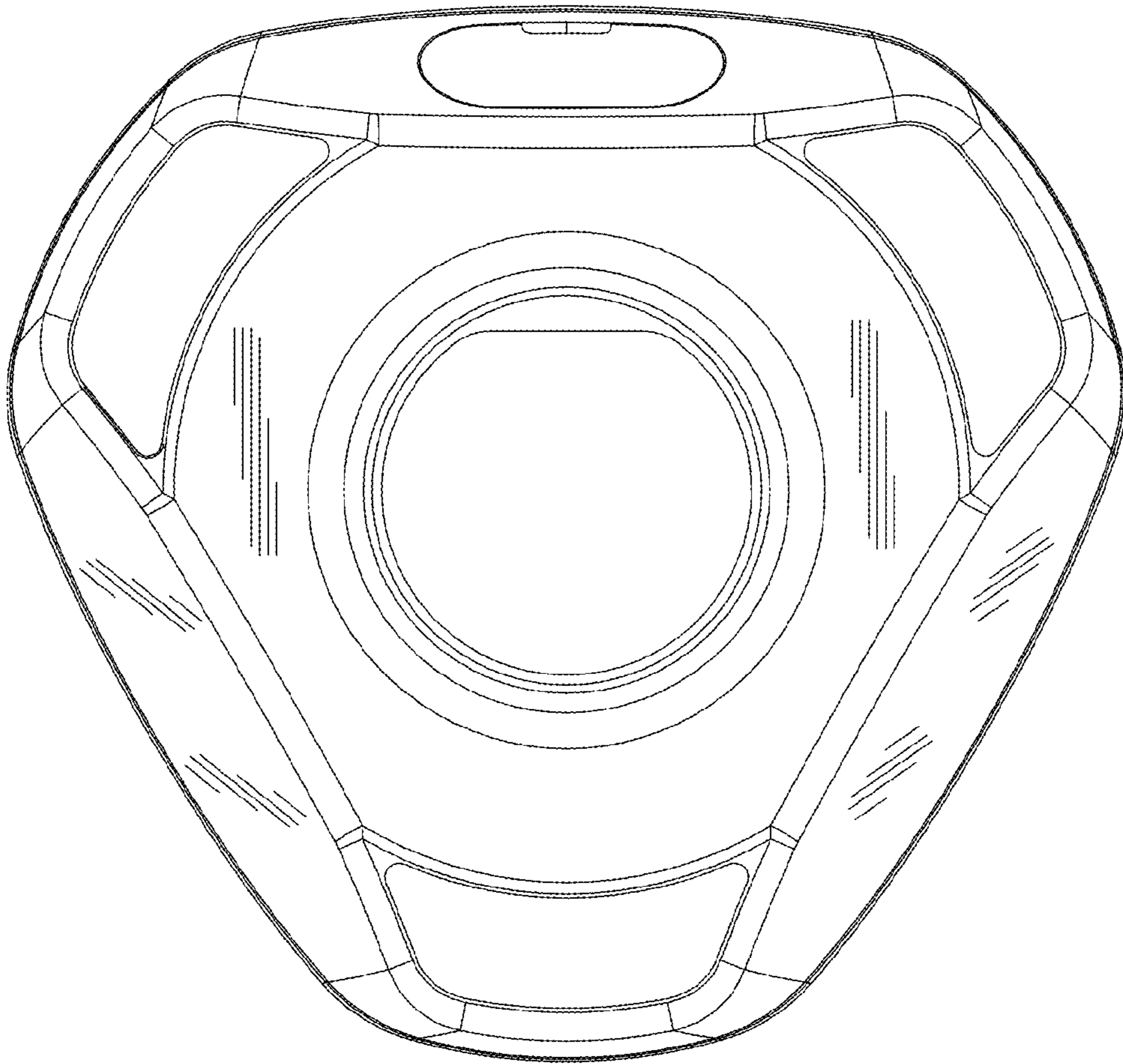


FIG. 7