



US00D723458S

(12) **United States Design Patent**
Martinez

(10) **Patent No.:** **US D723,458 S**
(45) **Date of Patent:** **** Mar. 3, 2015**

(54) **BATTERY CHARGER**

(71) Applicant: **Chervon (HK) Limited**, Wanchai (HK)

(72) Inventor: **Michael Martinez**, Nanjing (CN)

(73) Assignee: **Chervon (HK) Limited**, Hong Kong (HK)

(**) Term: **14 Years**

(21) Appl. No.: **29/483,988**

(22) Filed: **Mar. 5, 2014**

(30) **Foreign Application Priority Data**

Sep. 6, 2013 (CN) 2013 3 0430405

(51) **LOC (10) Cl.** **13-02**

(52) **U.S. Cl.**
USPC **D13/108**

(58) **Field of Classification Search**
USPC D13/107–110, 118–119, 184, 199;
D14/251, 253, 432, 434; 320/107–115,
320/128, 137–140
See application file for complete search history.

(56) **References Cited**

U.S. PATENT DOCUMENTS

D278,426 S *	4/1985	Lanci et al.	D13/107
D327,247 S *	6/1992	Higuchi et al.	D13/108
D349,485 S *	8/1994	Richards et al.	D13/107
D444,472 S *	7/2001	Russell et al.	D14/434
D462,657 S *	9/2002	Kaneko	D13/107
D476,659 S *	7/2003	Ying et al.	D14/434
D506,725 S *	6/2005	Watson	D13/108
D506,972 S *	7/2005	Parel et al.	D13/107

D507,234 S *	7/2005	Heun	D13/107
D530,667 S *	10/2006	Viduya et al.	D13/107
D548,687 S *	8/2007	Okuda et al.	D13/107
D579,408 S *	10/2008	Benyameen	D13/107
D601,953 S *	10/2009	Asai	D13/107
D605,111 S *	12/2009	Schoch	D13/107
D609,637 S *	2/2010	Chu et al.	D13/108
D610,085 S *	2/2010	Sweeney	D13/107
8,400,108 B2 *	3/2013	Powell et al.	320/113
8,564,242 B2 *	10/2013	Hansford et al.	320/107
2007/0090788 A1 *	4/2007	Hansford et al.	320/107
2007/0244471 A1 *	10/2007	Malackowski	606/1
2010/0039071 A1 *	2/2010	Hansford et al.	320/162
2014/0055093 A1 *	2/2014	Muramatsu et al.	320/112

* cited by examiner

Primary Examiner — Rosemary K Tarcza

(74) *Attorney, Agent, or Firm* — Greenberg Traurig, LLP

(57) **CLAIM**

What is claimed is the ornamental design for a battery charger, as shown and described.

DESCRIPTION

FIG. 1 is a top plan view of a battery charger showing my new design;

FIG. 2 is a bottom plan view thereof;

FIG. 3 is a left side elevational view thereof;

FIG. 4 is a right side elevational view thereof;

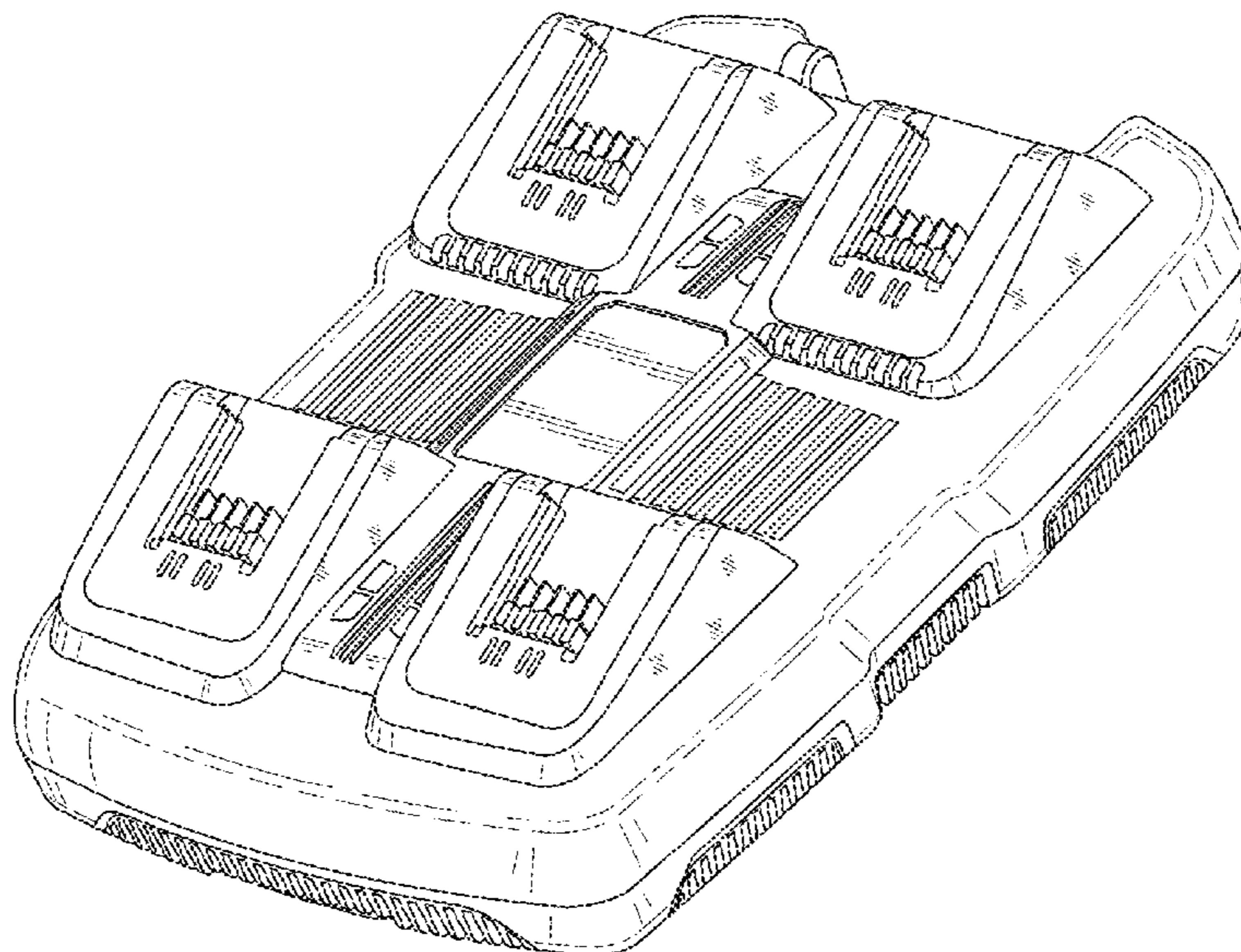
FIG. 5 is a rear side elevational view thereof;

FIG. 6 is a front side elevational view thereof; and,

FIG. 7 is a perspective view thereof.

Any elements shown in dotted and/or dashed lines are provided for illustrative purposes only and form no part of the design claimed. Any surface shading is used solely to show the character or contour of the surfaces represented.

1 Claim, 6 Drawing Sheets



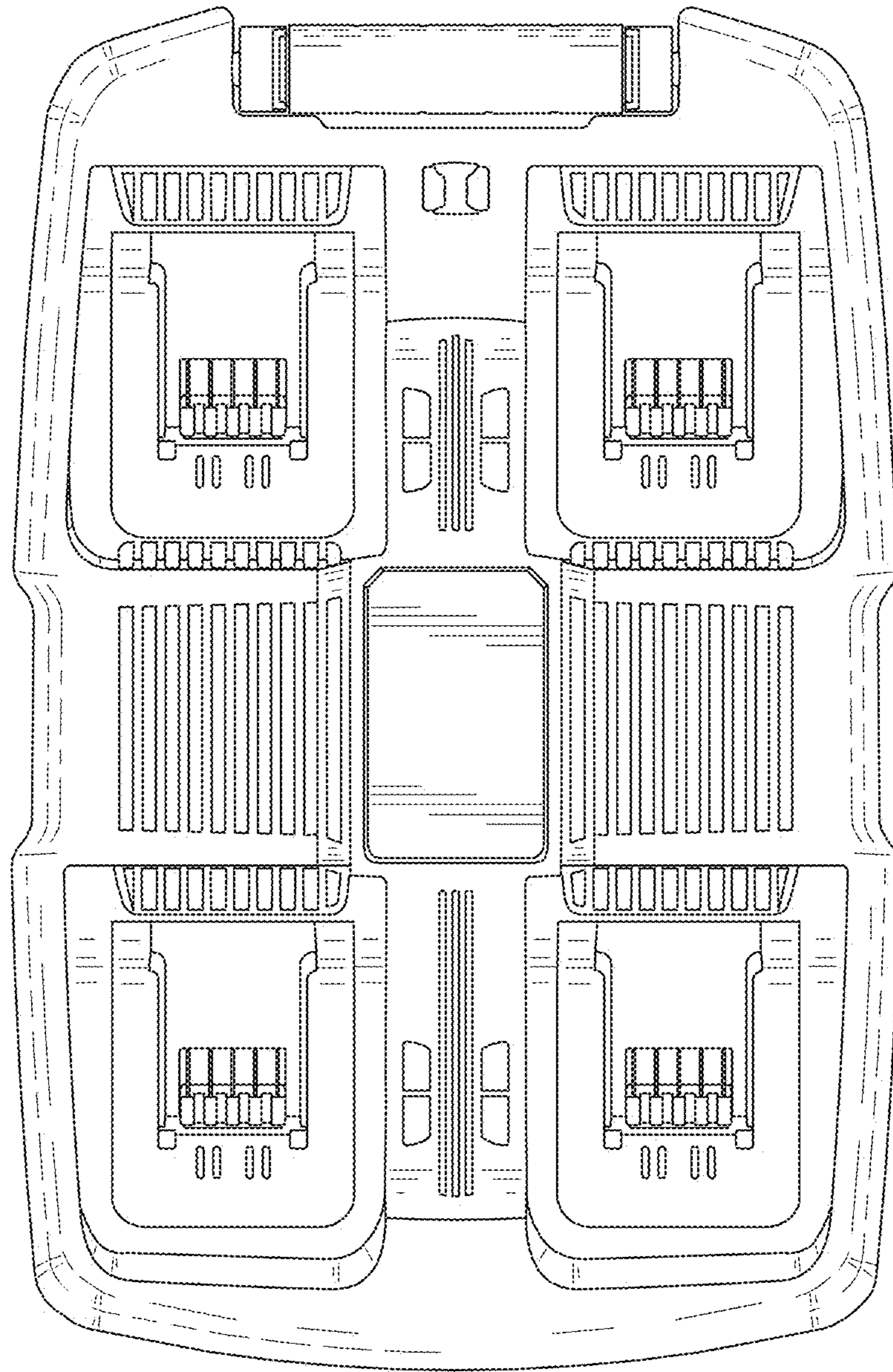


Fig. 1

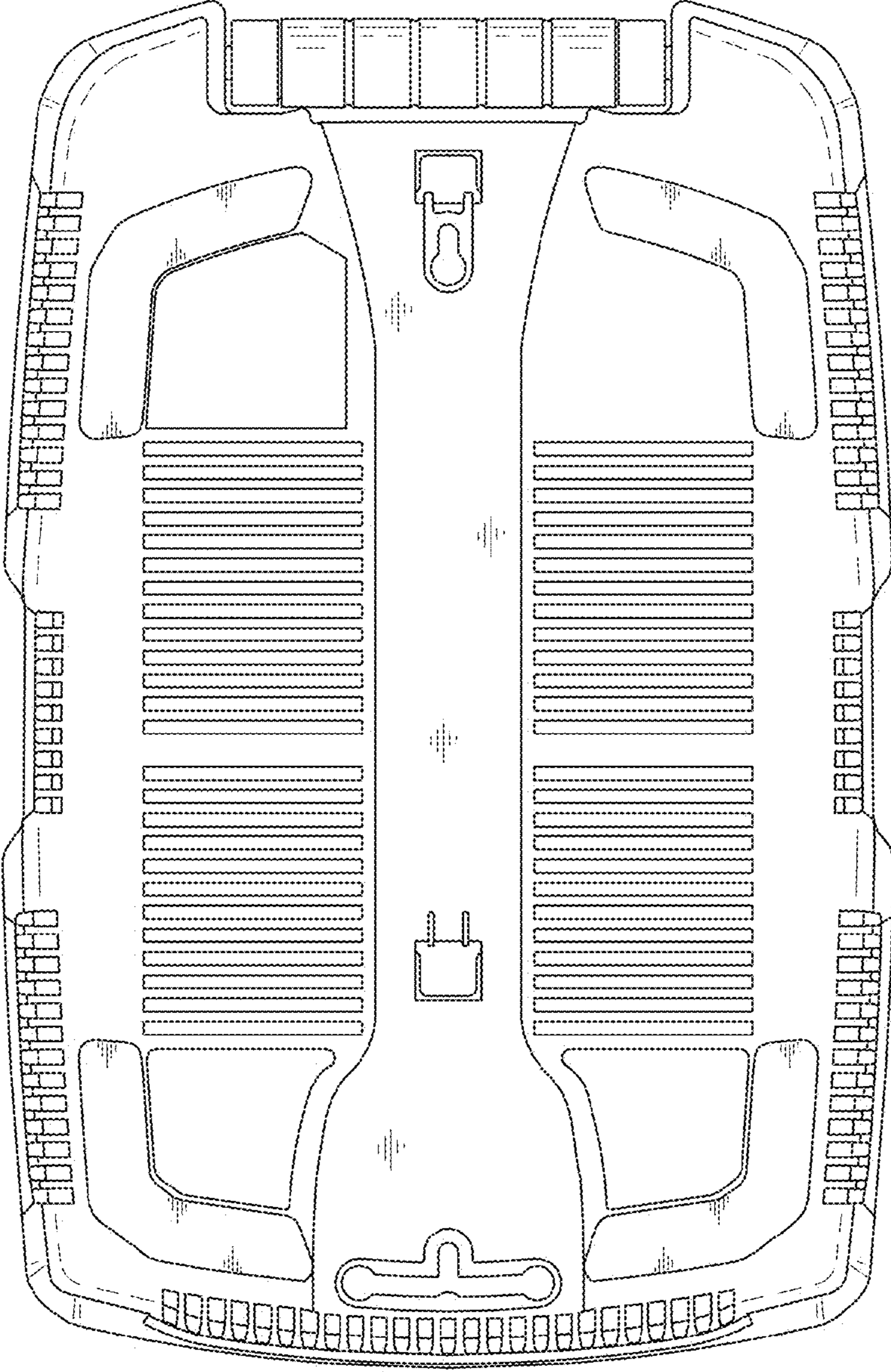


Fig. 2

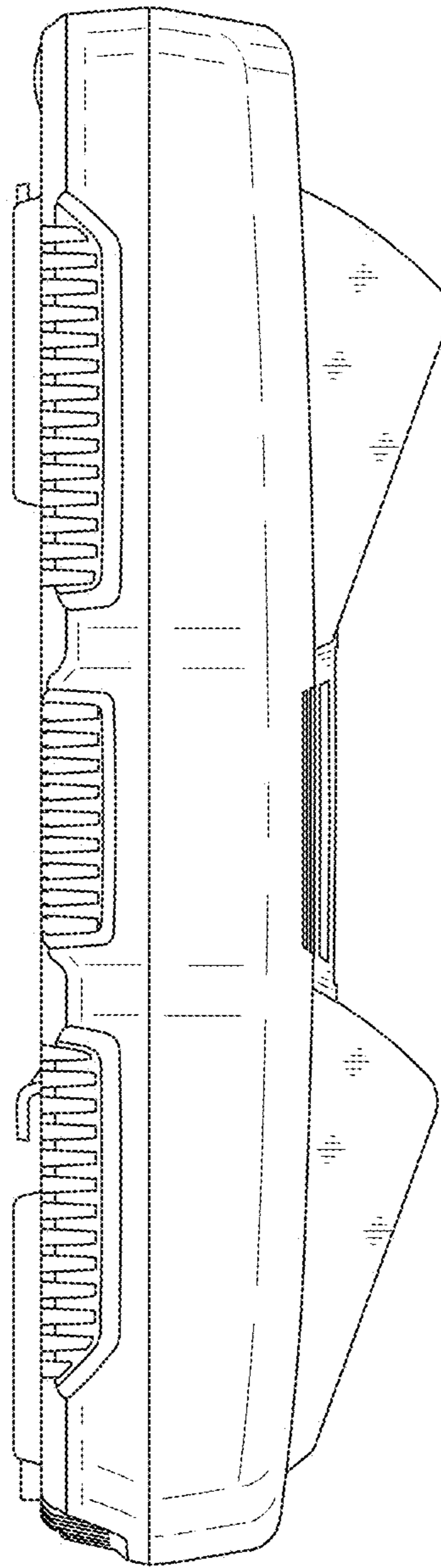


Fig. 3

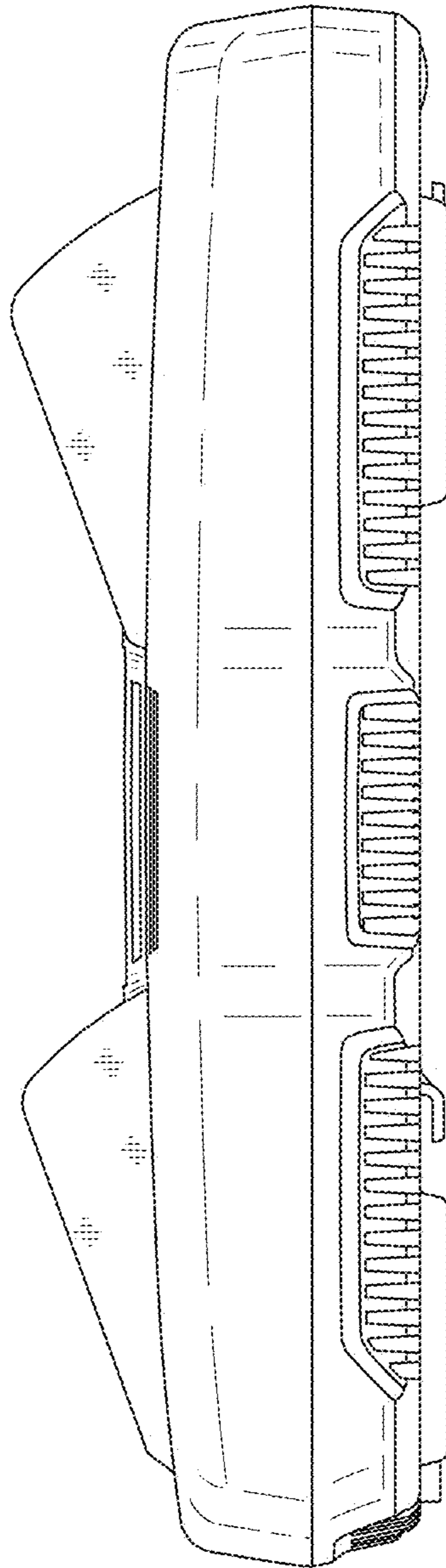


Fig. 4

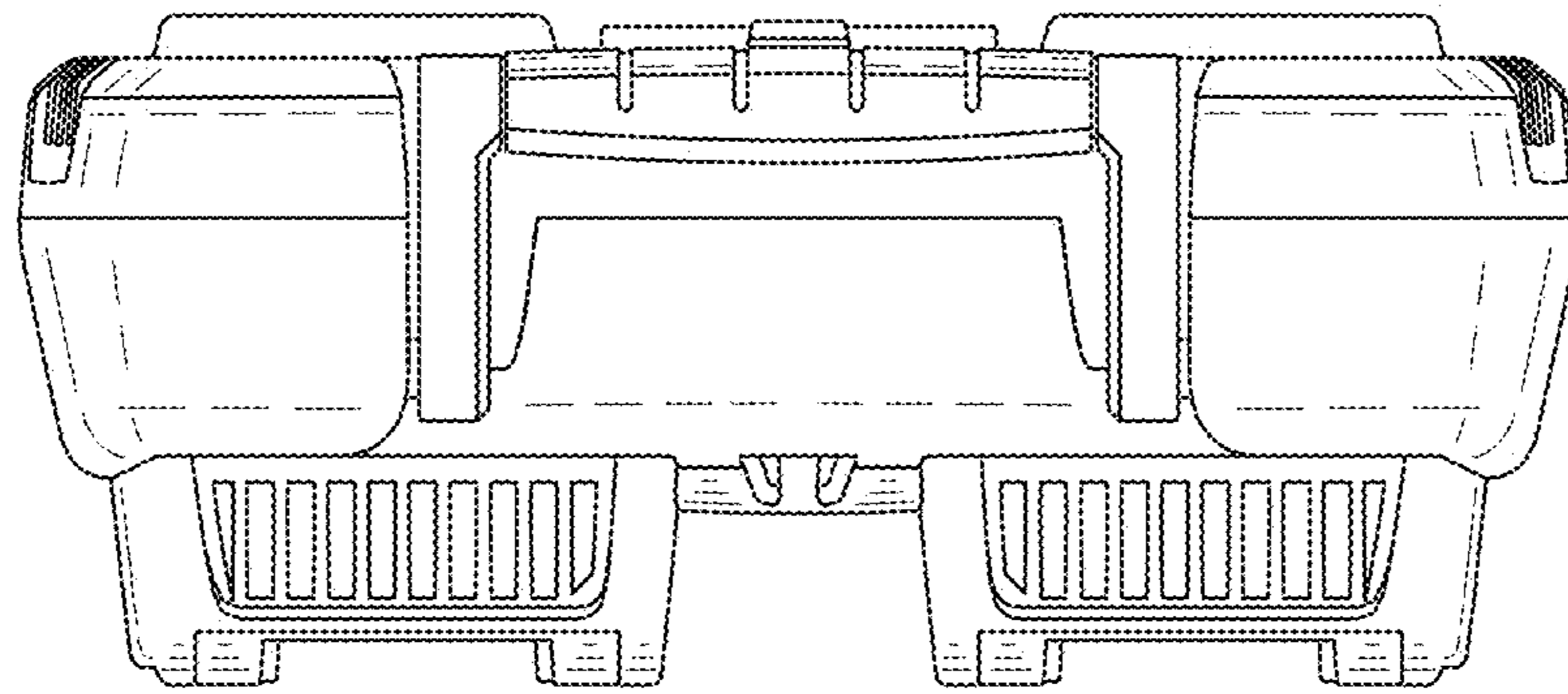


Fig. 5

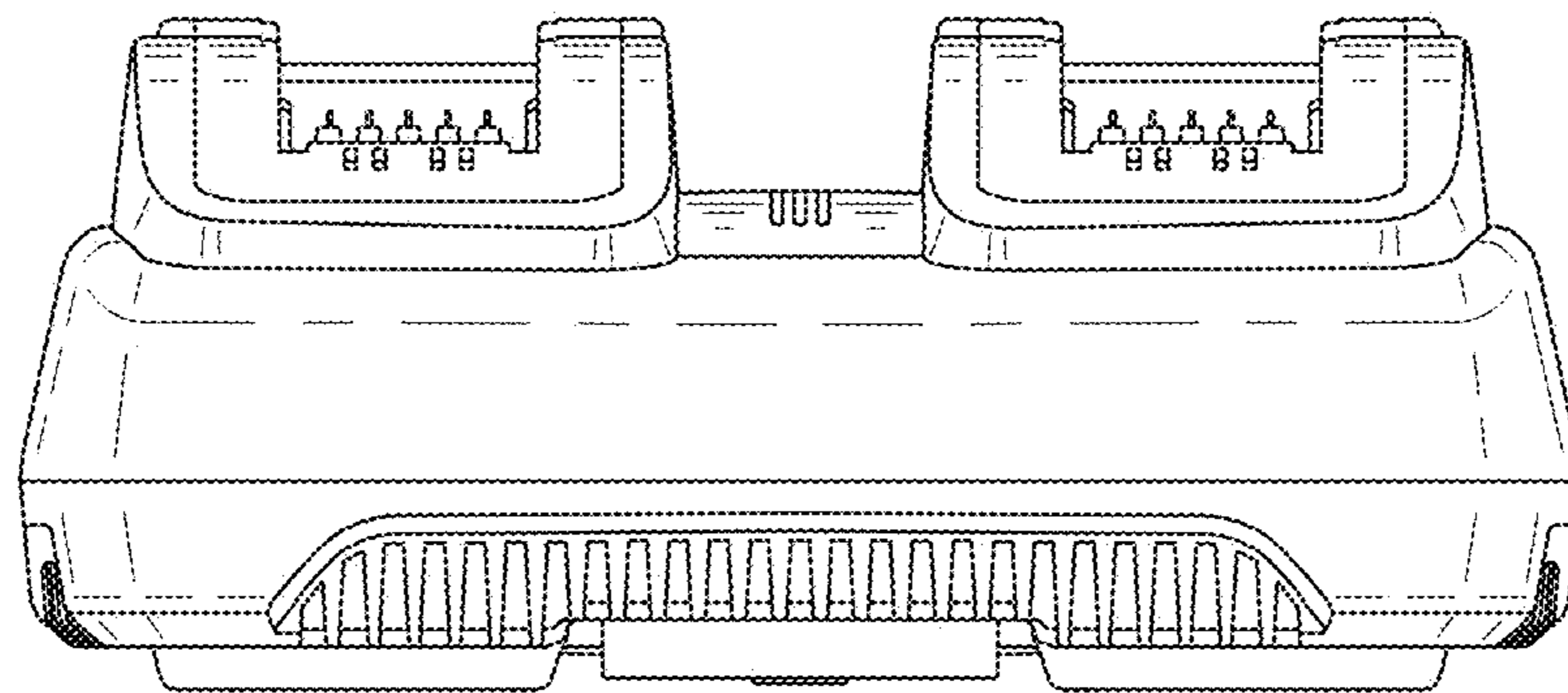


Fig. 6

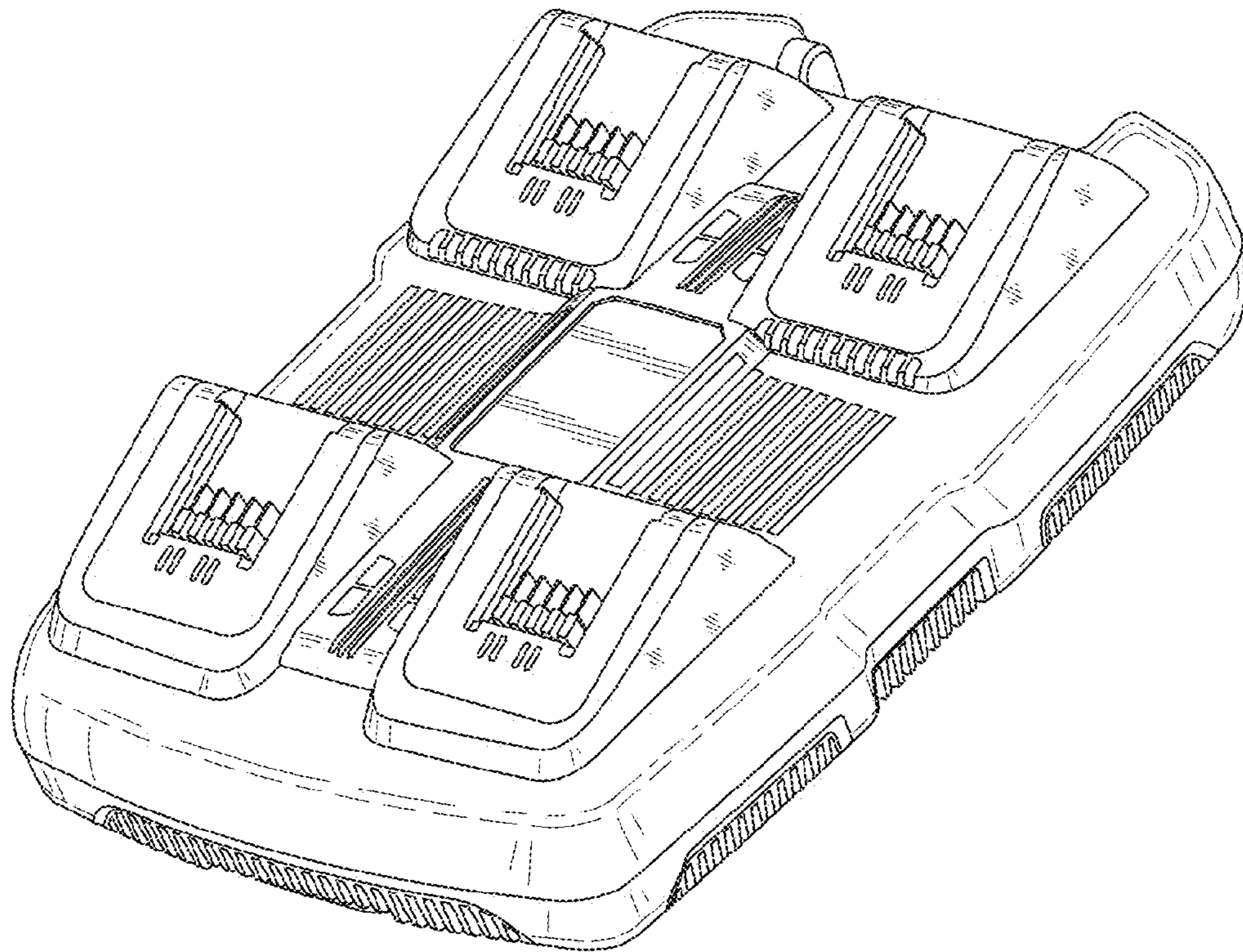


Fig. 7