



US00D723457S

(12) **United States Design Patent**
Sorias et al.

(10) **Patent No.:** **US D723,457 S**
(45) **Date of Patent:** **** Mar. 3, 2015**

(54) **PHONE CHARGER**

(76) Inventors: **Yeoshua Sorias**, Brooklyn, NY (US);
Max Moskowitz, Kew Gardens Hills,
NV (US)

(**) **Term:** **14 Years**

(21) **Appl. No.:** **29/426,607**

(22) **Filed:** **Jul. 8, 2012**

Related U.S. Application Data

(63) Continuation-in-part of application No. 13/348,066,
filed on Jan. 11, 2012, now Pat. No. 8,712,486.

(51) **LOC (10) Cl.** **13-02**

(52) **U.S. Cl.**
USPC **D13/107; D14/250**

(58) **Field of Classification Search**
USPC D13/103–109, 118–122; 320/110–113
See application file for complete search history.

(56) **References Cited**

U.S. PATENT DOCUMENTS

D339,563	S *	9/1993	Usami	D13/107
D344,261	S *	2/1994	Watanabe	D13/107
D347,617	S *	6/1994	Tattari	D13/107
5,628,641	A	5/1997	Hahn		
5,648,712	A	7/1997	Hahn		
D382,852	S *	8/1997	Takahashi	D13/107
5,780,993	A	7/1998	Tsang		
5,838,554	A	11/1998	Lanni		
6,091,611	A	7/2000	Lanni		
6,184,652	B1	2/2001	Yang		
6,191,553	B1	2/2001	Feng-Jung		
6,241,538	B1	6/2001	Chung		
7,166,987	B2	1/2007	Lee et al.		
D559,176	S *	1/2008	Ueda	D13/107
7,489,952	B2	2/2009	Simoes et al.		
D650,330	S *	12/2011	Dong	D13/108
D695,214	S *	12/2013	Roberts et al.	D13/107

2002/0142812	A1	10/2002	Goodman		
2003/0076070	A1 *	4/2003	Wang et al.	320/111
2004/0036449	A1	2/2004	Bean et al.		
2004/0212343	A1 *	10/2004	Sakai	320/111
2005/0195089	A1	9/2005	Shomali		
2010/0117597	A1 *	5/2010	Wang	320/111
2011/0159930	A1	6/2011	Garrett et al.		
2013/0052871	A1	2/2013	Eklind		
2013/0057215	A1 *	3/2013	Rajeswaran et al.	320/111
2013/0150134	A1 *	6/2013	Pliner et al.	320/111
2013/0307464	A1 *	11/2013	Zhu	320/101

OTHER PUBLICATIONS

Office Action mailed Sep. 13, 2013 in corresponding U.S. Patent Application No. 13/546,307.

Office Action mailed Sep. 04, 2013 in corresponding U.S. Patent Application No. 13/348,066.

(Continued)

Primary Examiner — Susan Bennett Hattan

Assistant Examiner — Brett Miller

(74) *Attorney, Agent, or Firm* — Ostrolenk Faber LLP

(57) **CLAIM**

The ornamental design for a phone charger, as shown and described.

DESCRIPTION

FIG. 1 is a front view of the phone charger of the present invention.

FIG. 2 is a perspective showing an actuated state of the phone charger of the present invention.

FIG. 3 is a top view of FIG. 2, with the bottom view being a mirror image thereof.

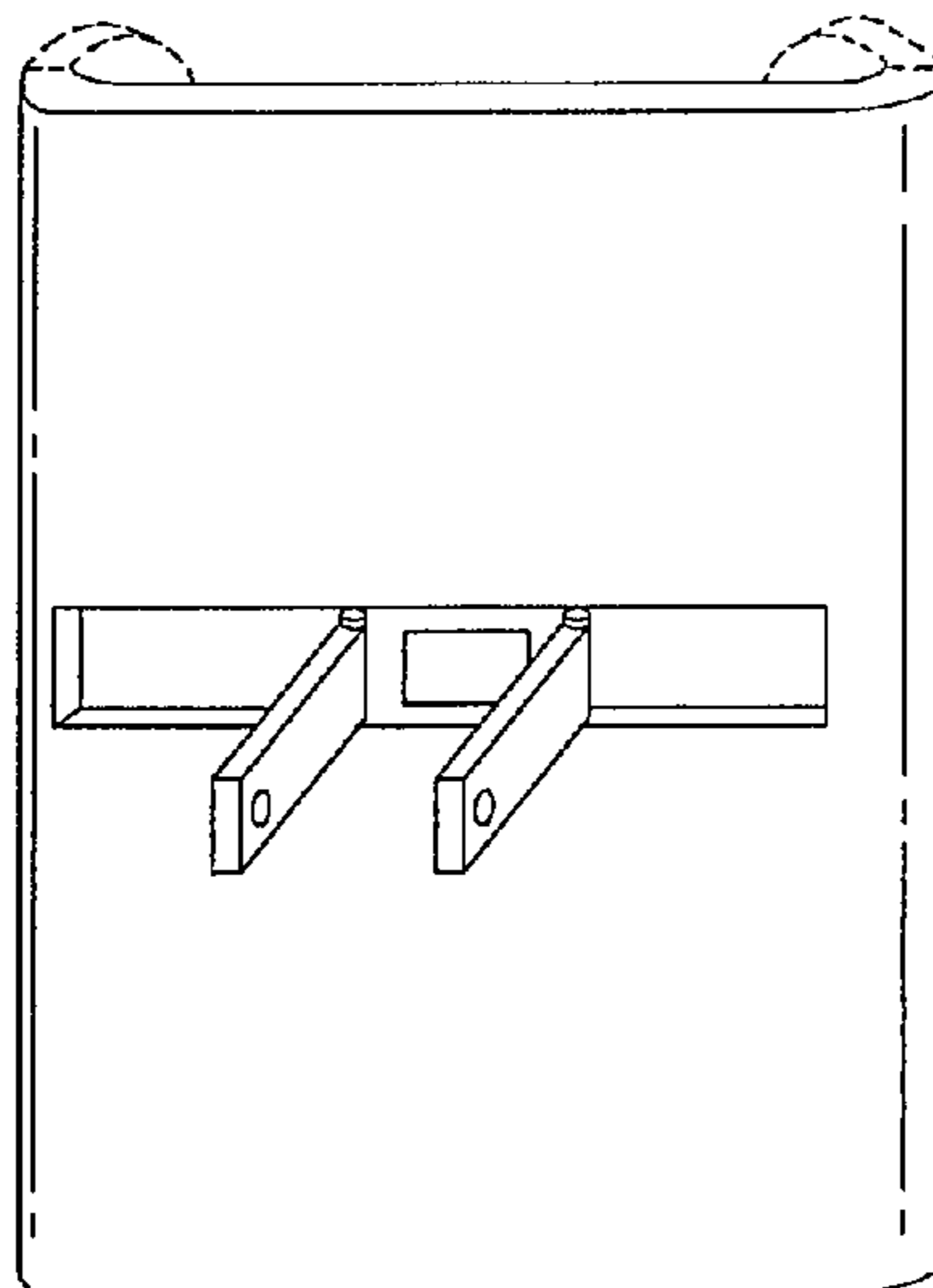
FIG. 4 is an elevational side view of FIG. 2, with the opposed side view being a mirror image thereof; and,

FIG. 5 is a rear view of FIG. 2.

The broken lines in the drawings depict environmental subject matter only and form no part of the claimed design.

The uneven length broken lines depict boundaries and form no part of the claimed design.

1 Claim, 2 Drawing Sheets



(56)

References Cited

OTHER PUBLICATIONS

International Search Report for corresponding Intl Application No.
PCT/US2012/021021 mailed on 05/29/12.

International Search Report for corresponding Intl Application No.
PCT/US2012/021021 mailed on 07/16/13.

Sorias, et al. v. Nat'l Cellular, et al., First Amended Complaint, Civil
Action No. 1:14-cv-2897 dated May 27, 2014.

Sorias, et al. v. Nat'l Cellular, et al., Counterclaim of Defendants
Pliner, Gladstone and Prong, LLC, Civil Action No. 1:14-cv-2897
dated Aug. 15, 2014..

* cited by examiner

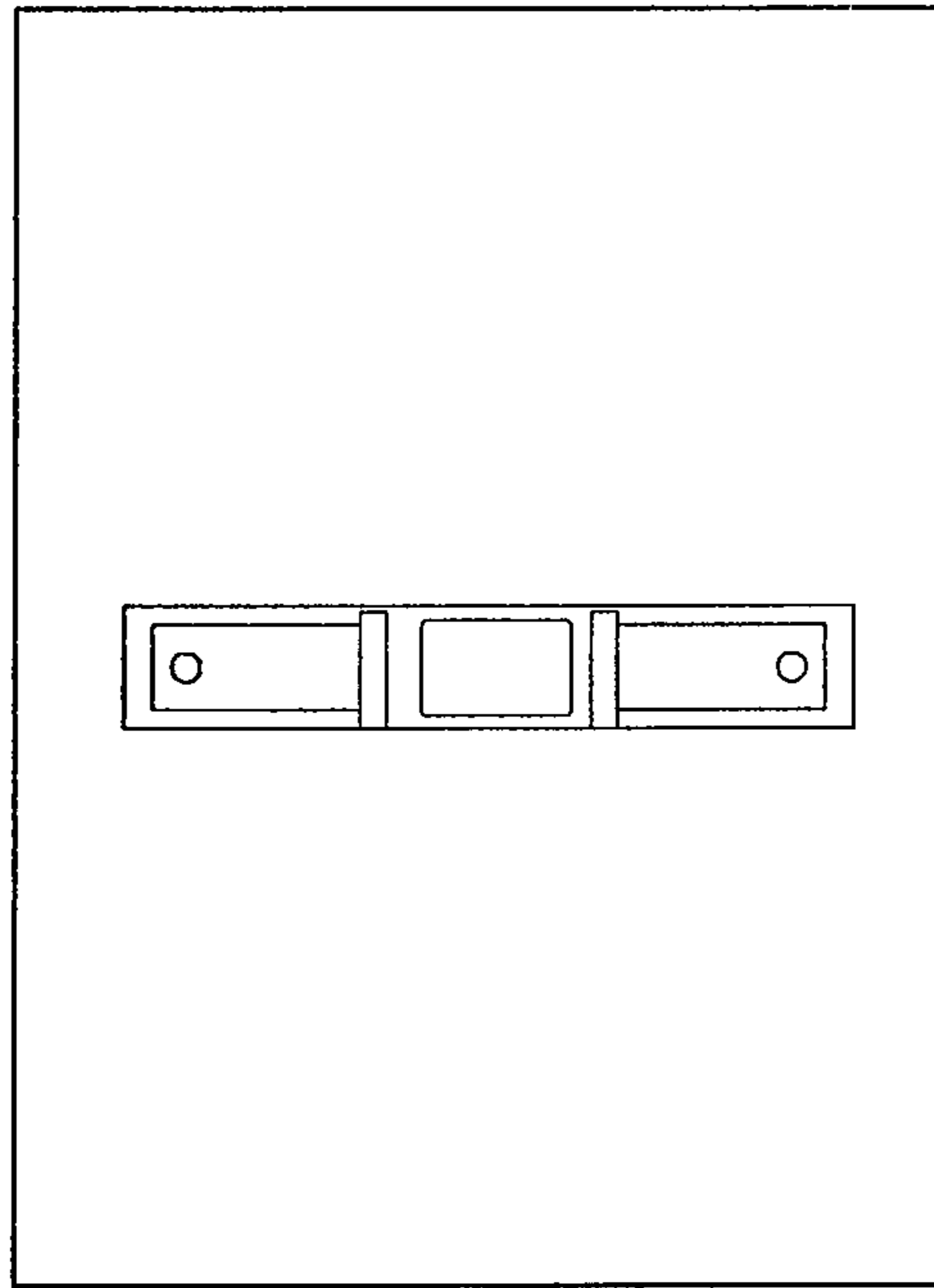


FIG. 1

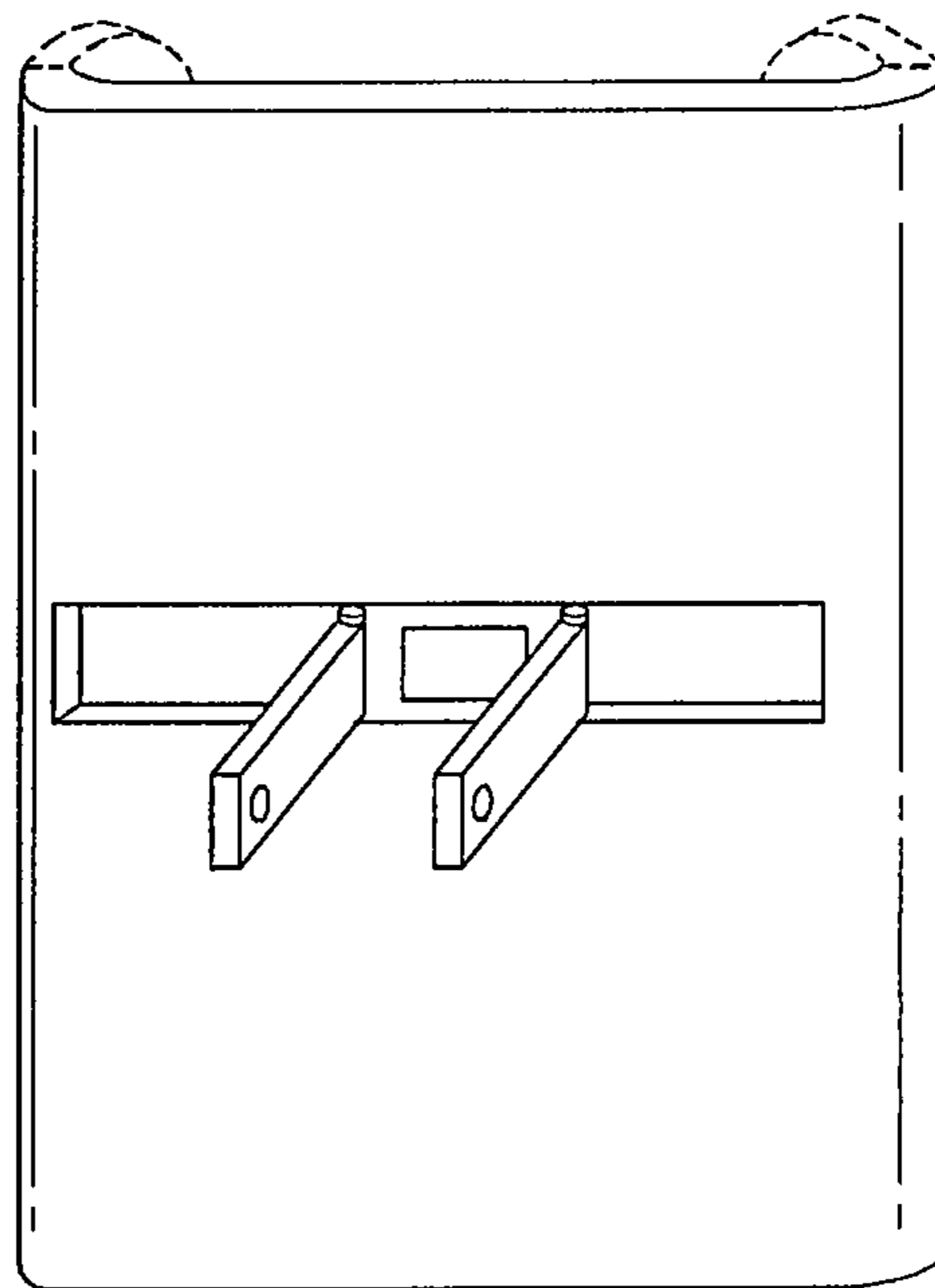


FIG. 2

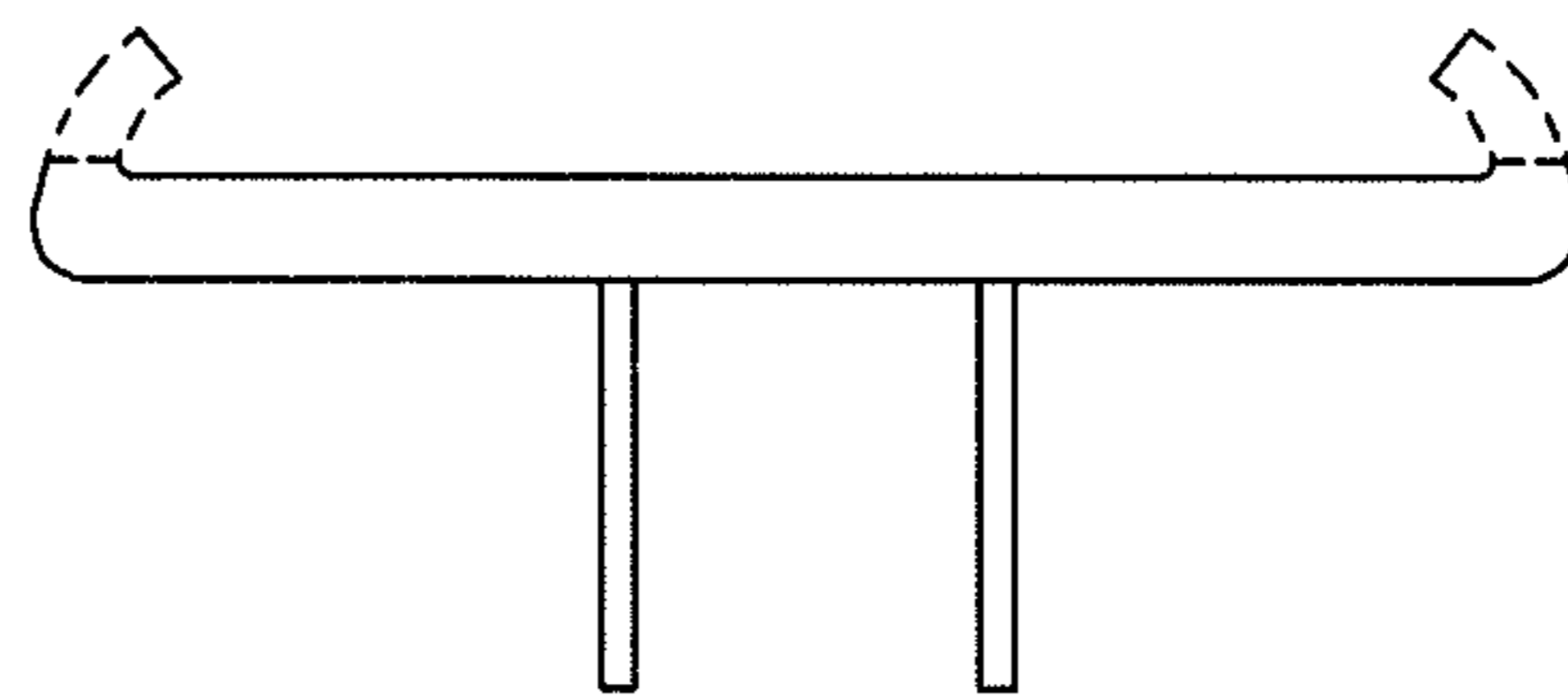


FIG. 3

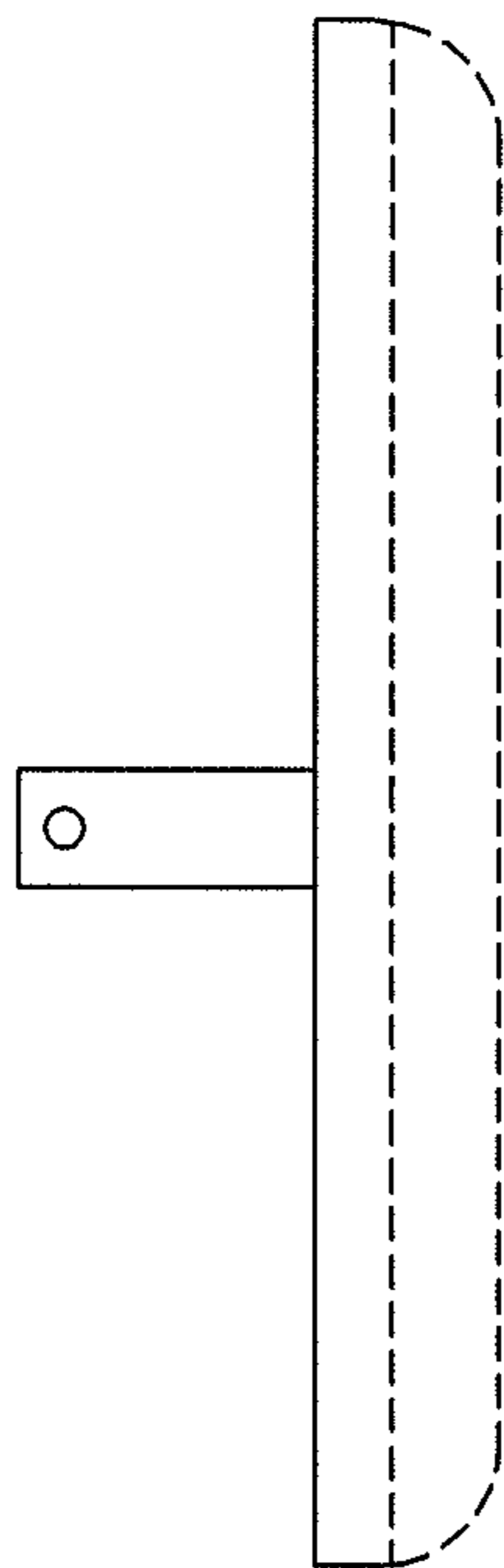


FIG. 4

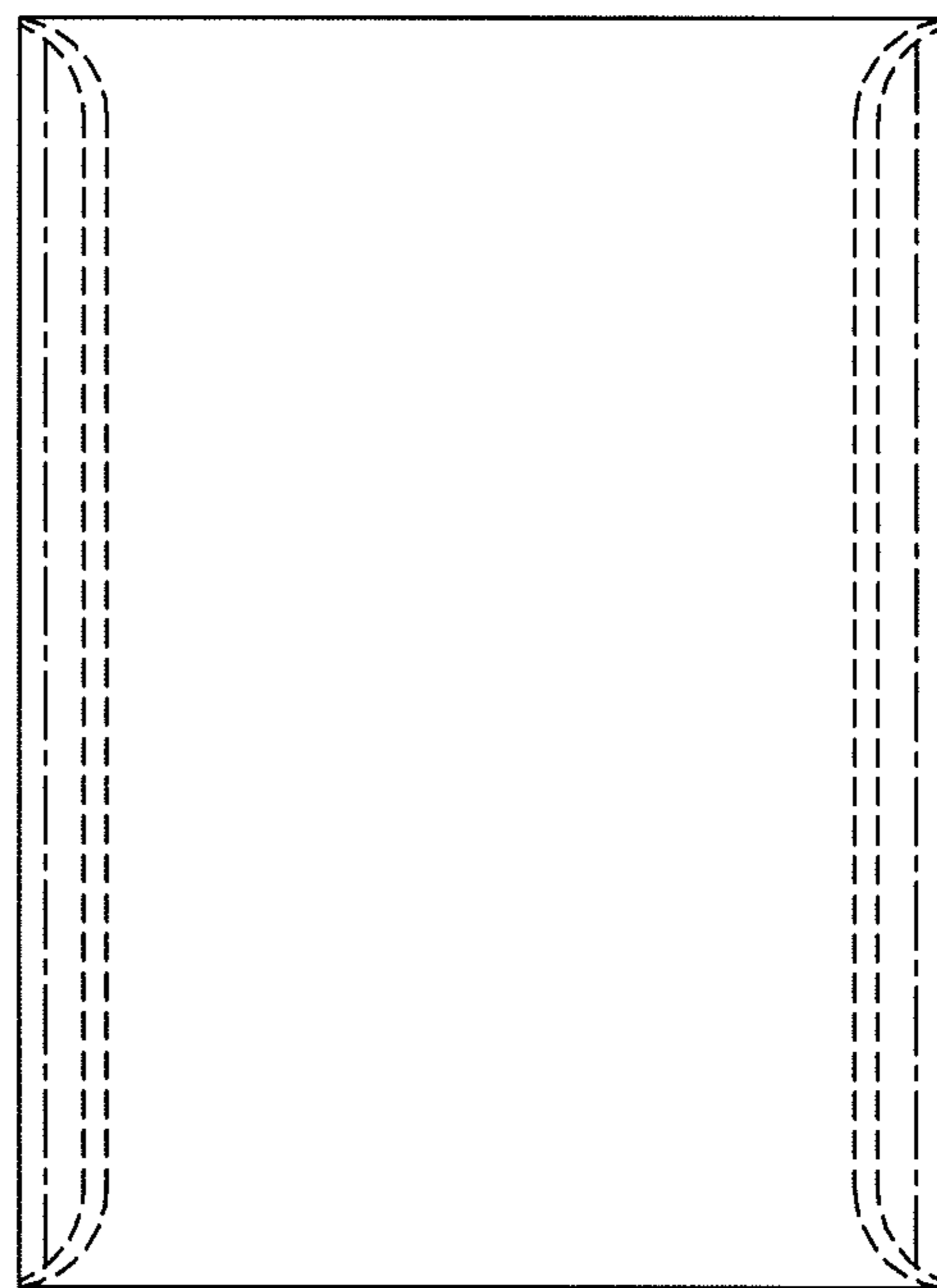


FIG. 5