



US00D723452S

(12) **United States Design Patent**  
**Carlson**

(10) **Patent No.:** **US D723,452 S**  
(45) **Date of Patent:** **\*\* Mar. 3, 2015**

(54) **BICYCLE MOUNTABLE STORAGE CONTAINER**

(71) Applicant: **Buca Boot LLC**, Cambridge, MA (US)

(72) Inventor: **Kathryn Carlson**, Cambridge, MA (US)

(73) Assignee: **Buca Boot LLC**, Cambridge, MA (US)

(\*\*) Term: **14 Years**

(21) Appl. No.: **29/466,986**

(22) Filed: **Sep. 13, 2013**

(51) **LOC (10) Cl.** ..... **12-16**

(52) **U.S. Cl.**  
USPC ..... **D12/410**

(58) **Field of Classification Search**

CPC ..... B62J 7/04; B62J 11/00; B62J 9/00;  
B62J 9/001; B62J 7/08; B62J 7/00; B62K  
27/003; B62K 27/12

USPC ..... D12/114, 407, 119; 224/309, 412, 422,  
224/423, 424, 427, 431, 438, 558, 560, 563,  
224/417, 153, 430, 142, 439, 328, 400, 413,  
224/42.11, 435, 452, 418, 419, 429, 450,  
224/288.4, 463, 901.4, 901.8, 457, 448,  
224/447, 421, 425, 440, 441, 433, 449, 420,  
224/434, 436, 445; D26/29; 424/725;  
280/204, 400, 488.4, 292, 491.5, 494,  
280/496, 498, 648, 47.26, 483, 492,  
280/124.177; 180/206.4, 220; D6/716.4;  
294/142; 383/25, 40, 97, 13, 14;  
74/551.8; 220/9.1, 9.4

See application file for complete search history.

(56) **References Cited**

**U.S. PATENT DOCUMENTS**

4,433,802 A \* 2/1984 Woolf ..... 224/153  
4,577,786 A \* 3/1986 Dowrick et al. .... 224/448

4,588,114 A \* 5/1986 Lebaron et al. .... 224/435  
4,609,084 A \* 9/1986 Thomas ..... 190/110  
D289,127 S \* 4/1987 Blumenthal ..... D7/709  
D333,386 S \* 2/1993 Kahl ..... D3/288  
5,641,173 A \* 6/1997 Cobb, Jr. .... 280/204  
5,887,770 A \* 3/1999 Covell ..... 224/153  
6,029,875 A \* 2/2000 Johnston ..... 224/417  
D504,566 S \* 5/2005 Guy ..... D3/277  
D602,253 S \* 10/2009 Rees et al. .... D3/289  
D625,922 S \* 10/2010 Rees et al. .... D3/304  
D628,800 S \* 12/2010 Rees et al. .... D3/304  
2011/0168598 A1 \* 7/2011 Rees et al. .... 206/505

\* cited by examiner

*Primary Examiner* — Eric Goodman

*Assistant Examiner* — Ryan Harvey

(74) *Attorney, Agent, or Firm* — Gesmer Updegrove LLP

(57) **CLAIM**

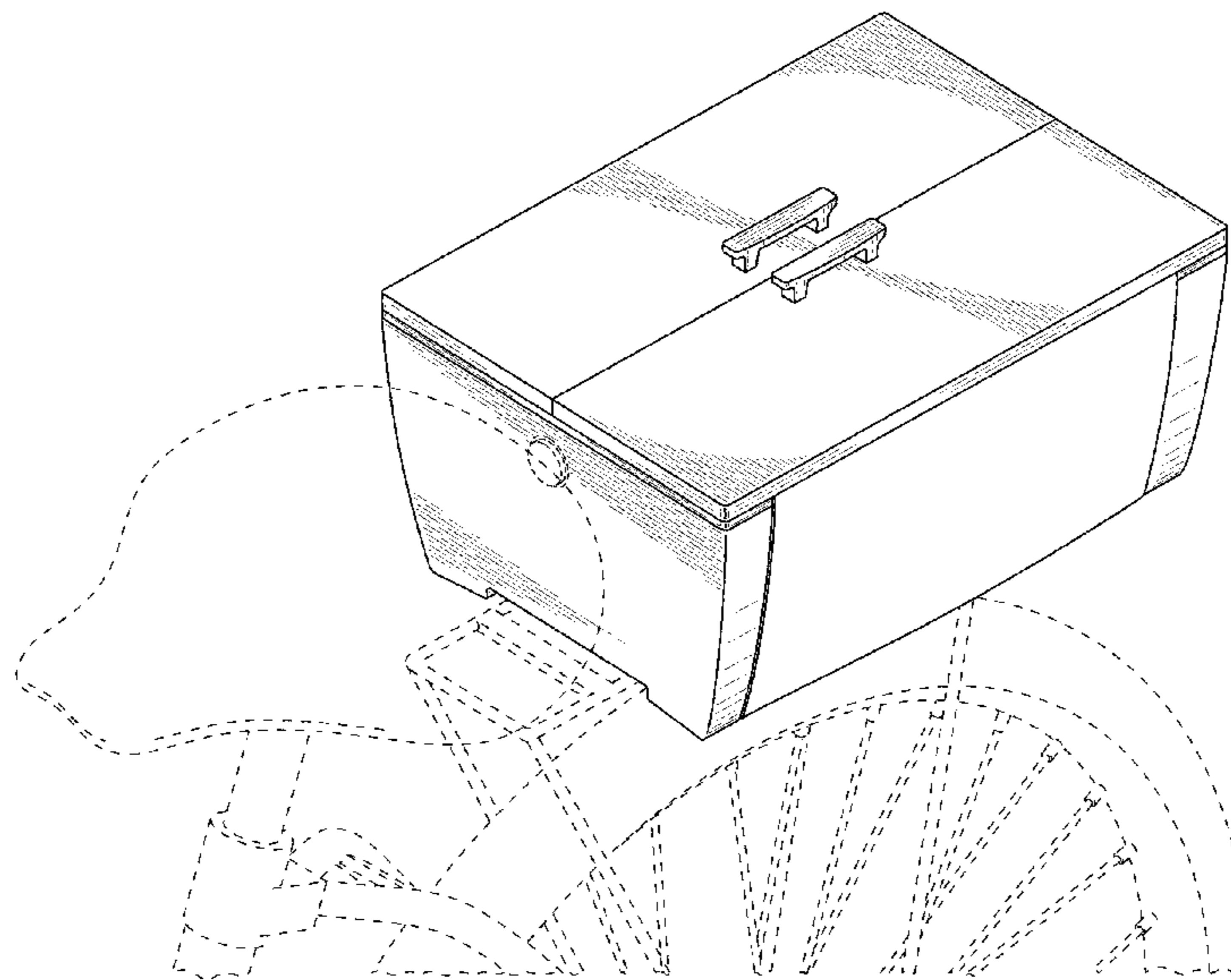
What is claimed is the bicycle mountable storage container, as shown and described herein.

**DESCRIPTION**

FIG. 1 shows a perspective view of the bicycle mountable storage container;  
FIG. 2 shows a left side view of the bicycle mountable storage container of FIG. 1;  
FIG. 3 shows a plan view of the bicycle mountable storage container of FIG. 1;  
FIG. 4 shows a rear view of the bicycle mountable storage container of FIG. 1;  
FIG. 5 shows a front view of the bicycle mountable storage container of FIG. 1; and,  
FIG. 6 shows a bottom view of the bicycle mountable storage container of FIG. 1.

The broken lines in the drawings are for the purpose of environmental subject matter and form no part of the claimed design.

**1 Claim, 4 Drawing Sheets**



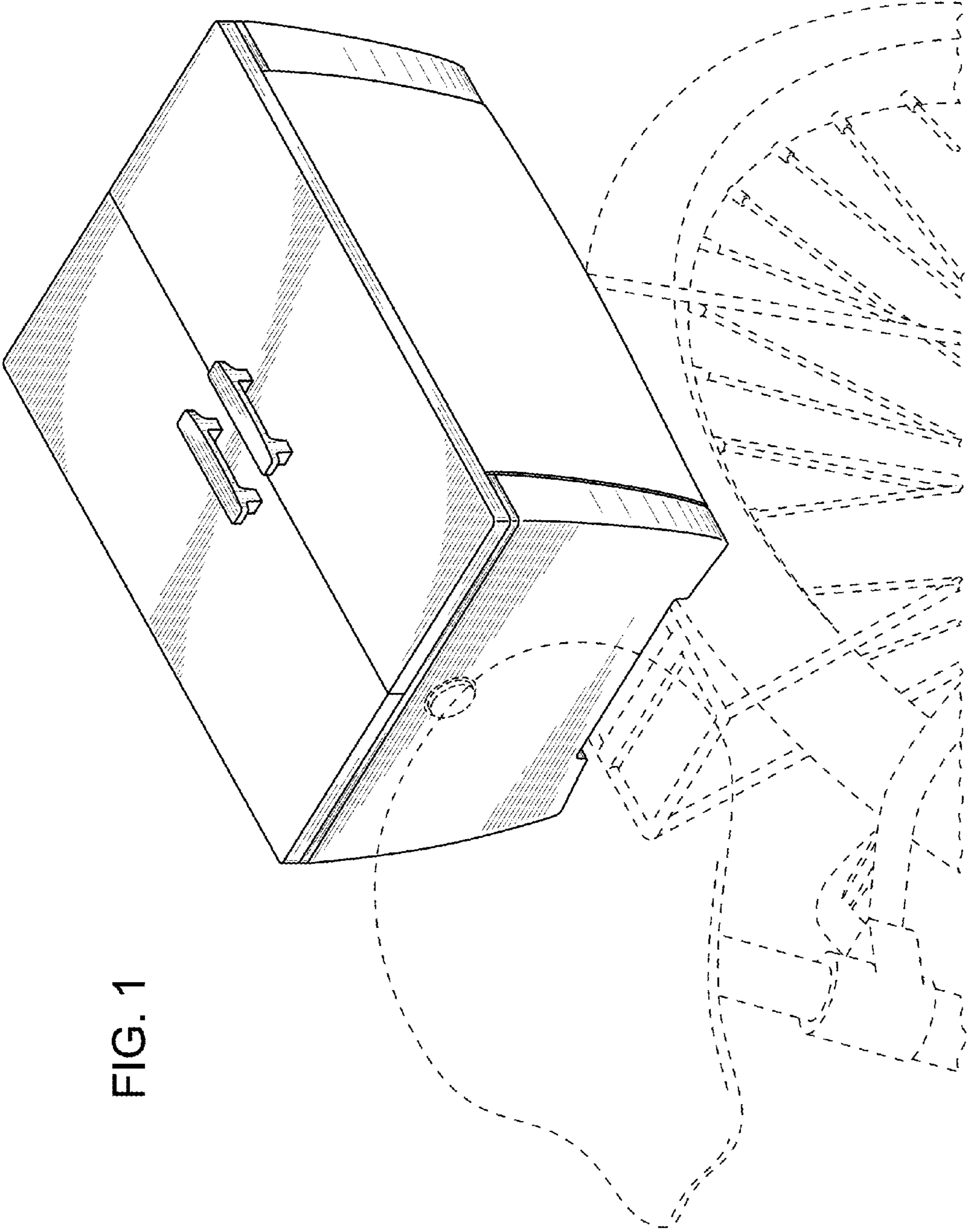


FIG. 1

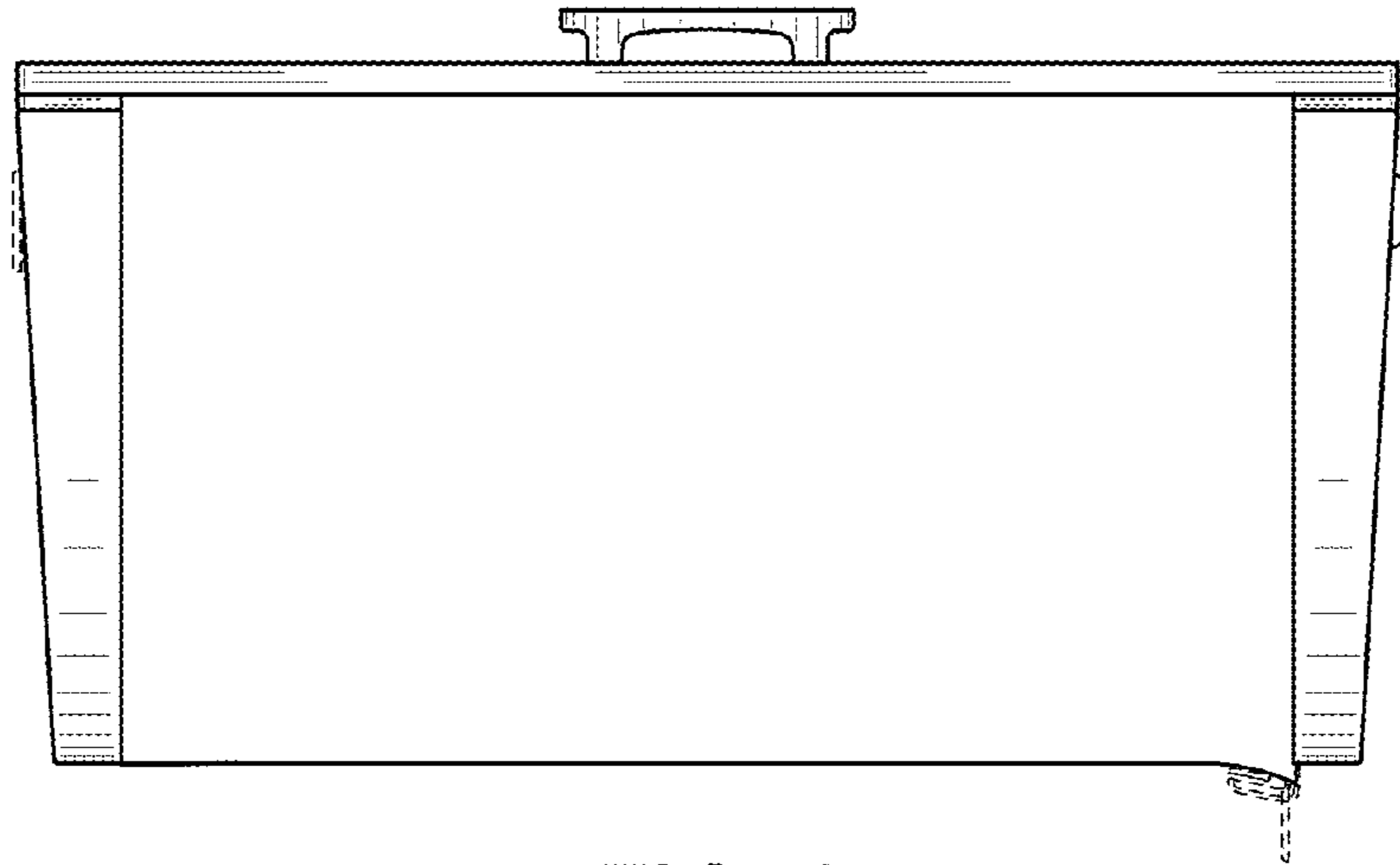


FIG. 2

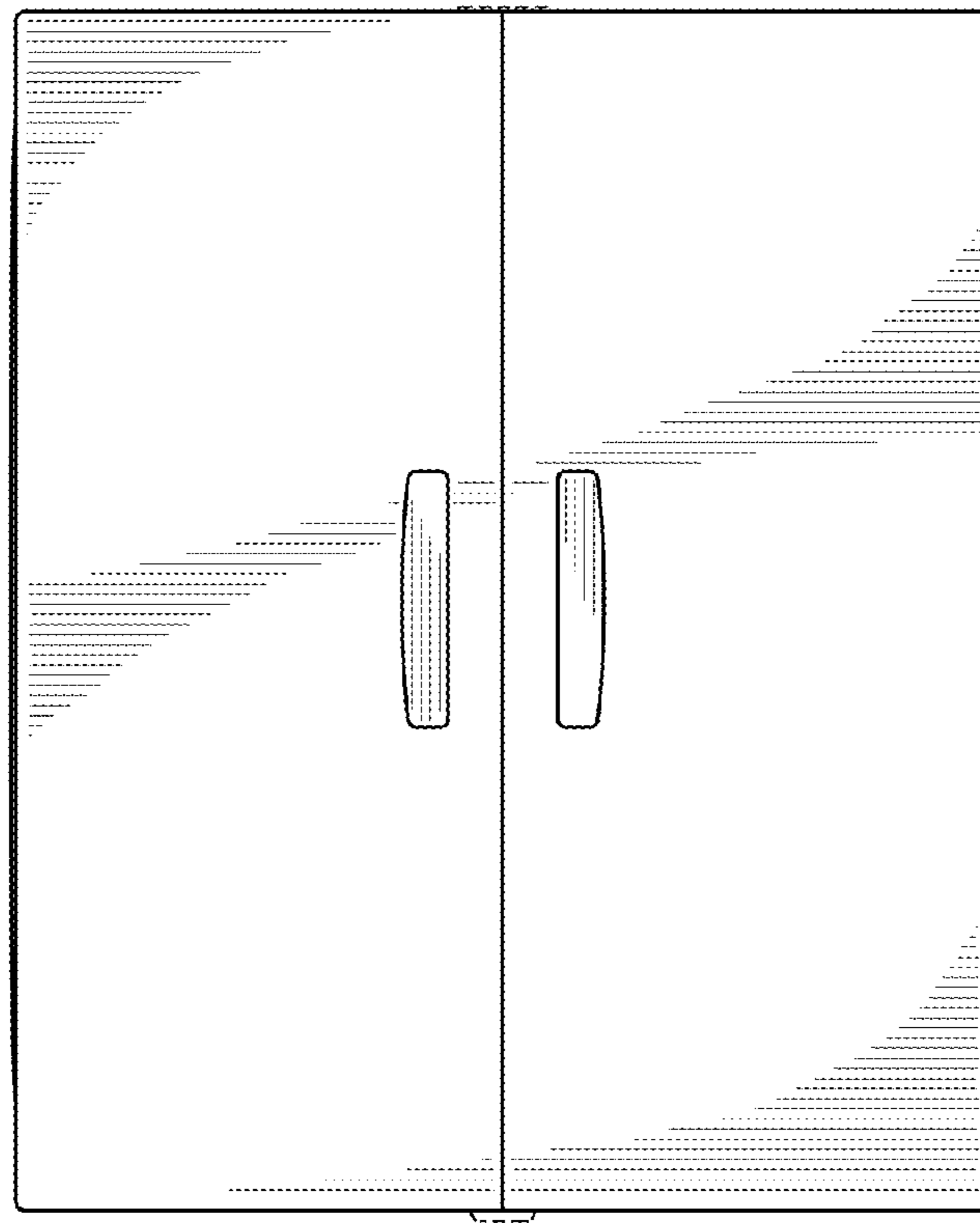


FIG. 3

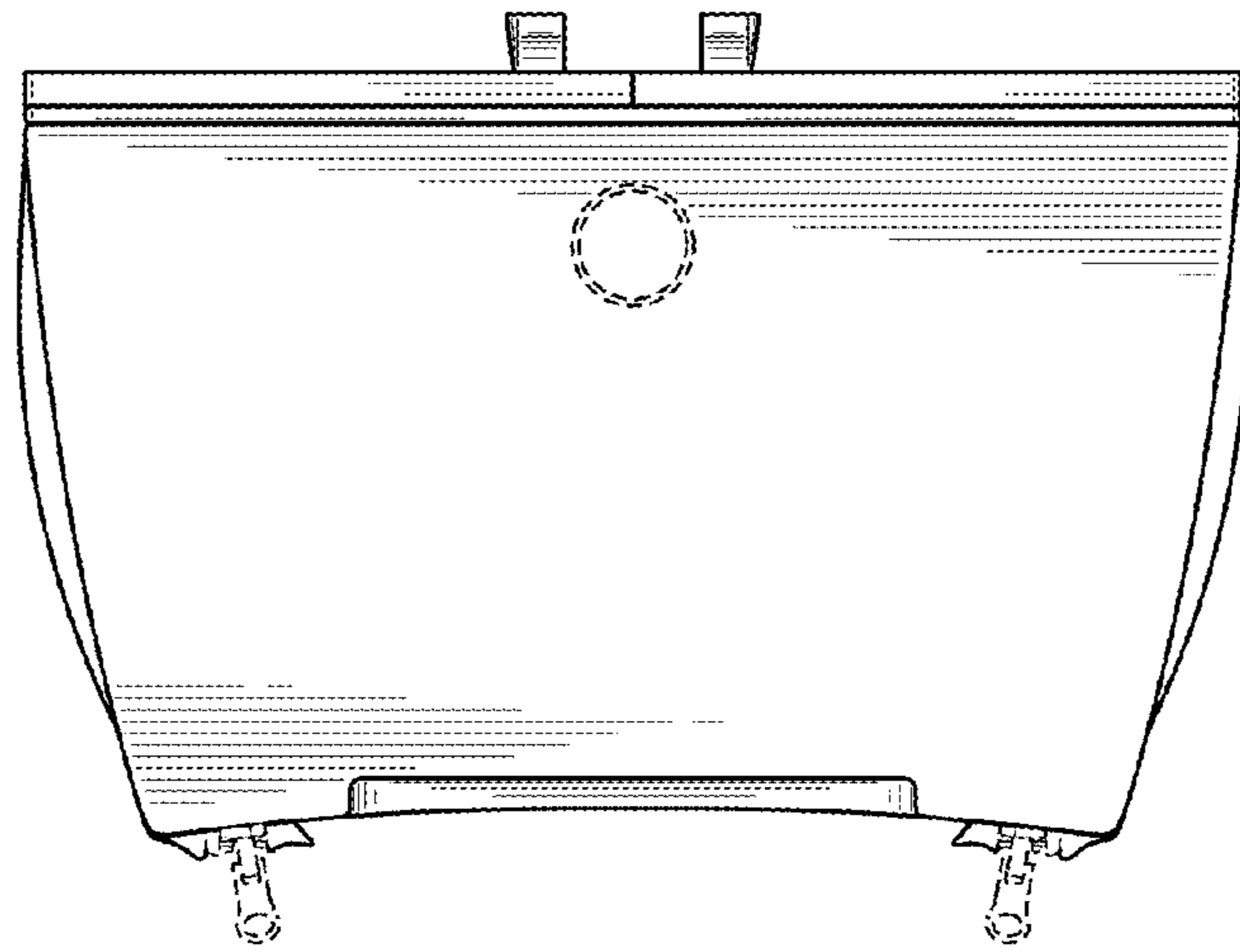


FIG. 4

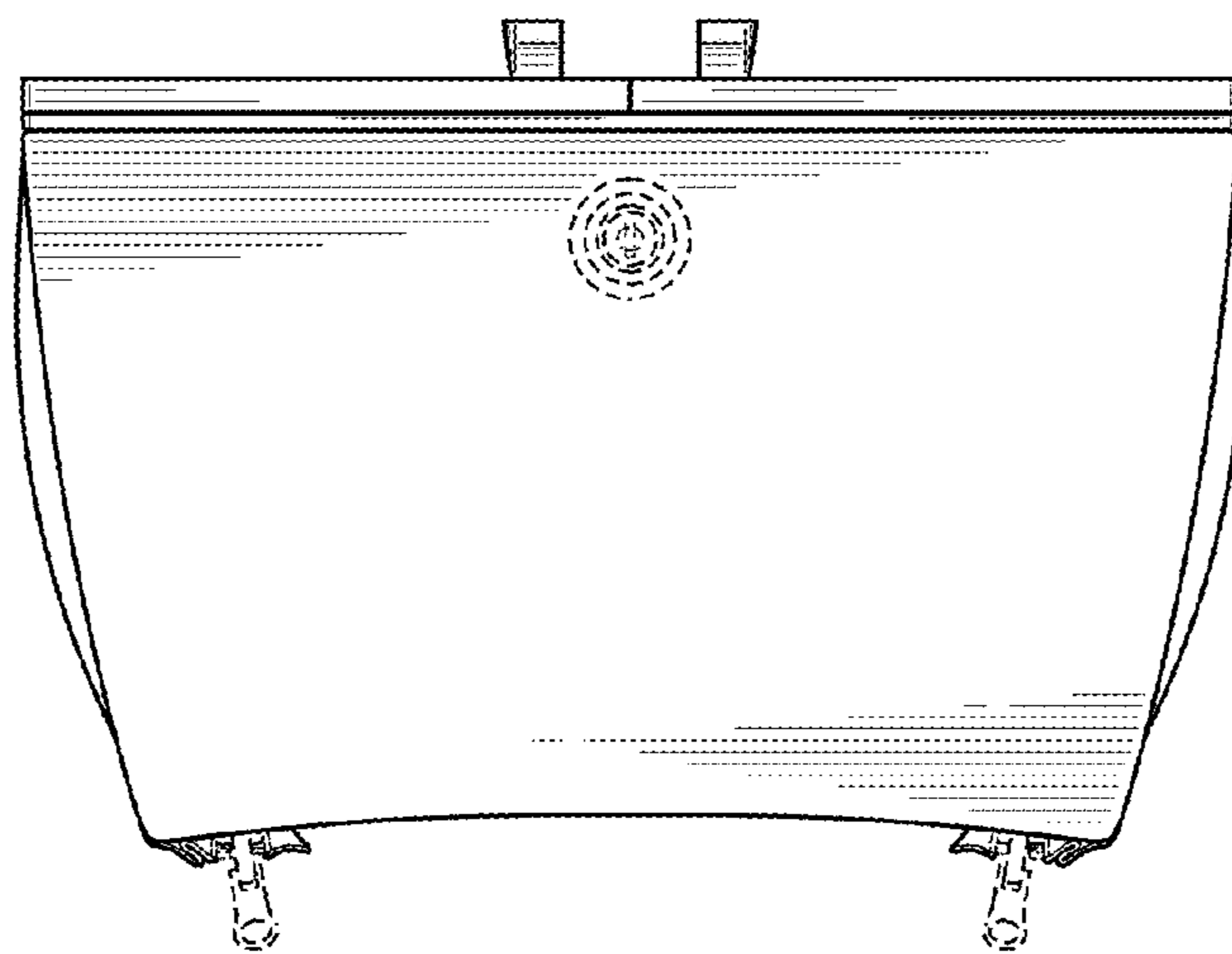


FIG. 5

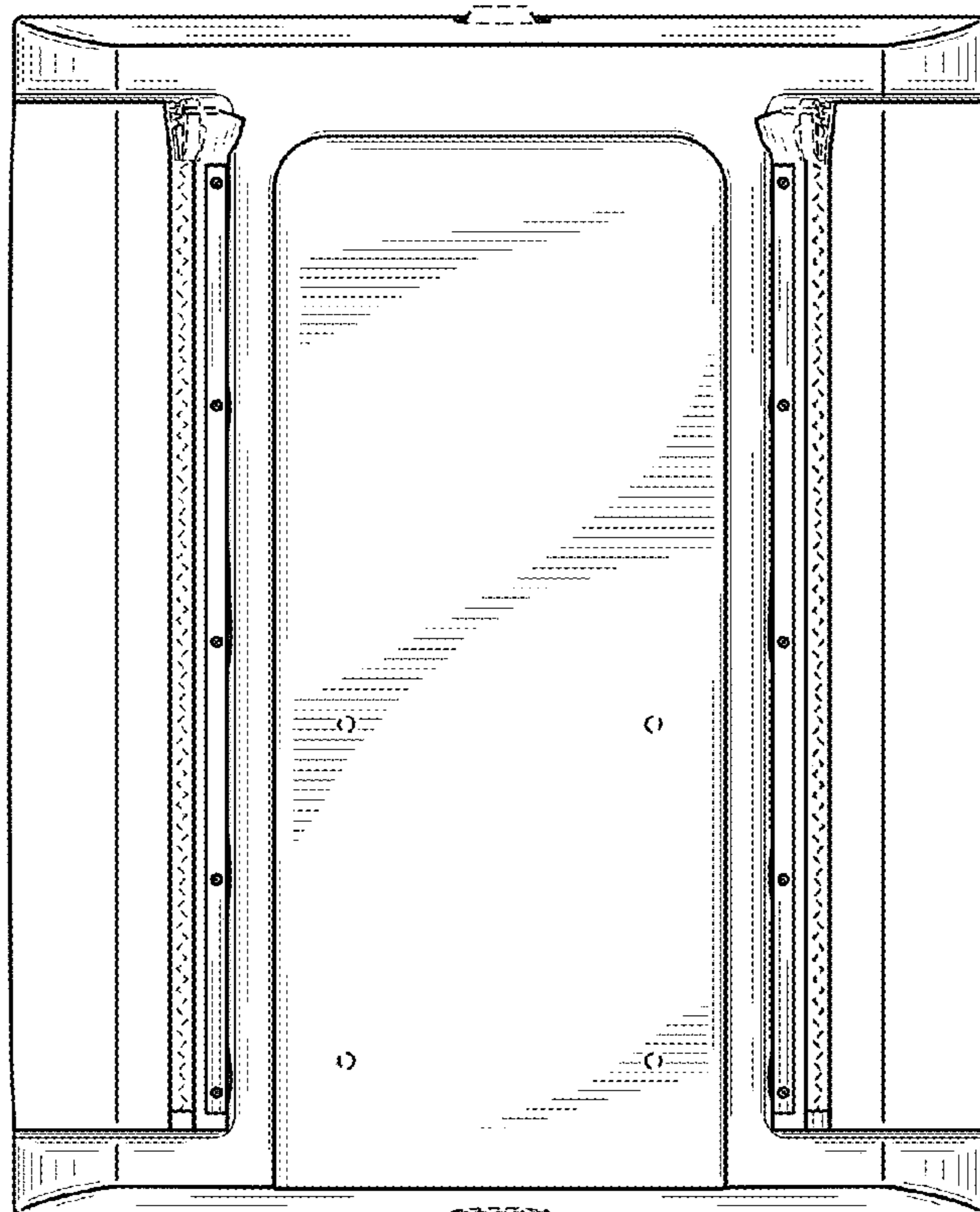


FIG. 6