



US00D723451S

(12) **United States Design Patent**  
**Depew, Jr.**

(10) **Patent No.:** **US D723,451 S**  
(45) **Date of Patent:** **\*\* Mar. 3, 2015**

- (54) **VEHICLE COVER**
  - (71) Applicant: **Eugene D. Depew, Jr.**, Sunrise, FL (US)
  - (72) Inventor: **Eugene D. Depew, Jr.**, Sunrise, FL (US)
  - (\*\*) Term: **14 Years**
  - (21) Appl. No.: **29/474,148**
  - (22) Filed: **Jun. 18, 2014**
  - (51) **LOC (10) Cl.** ..... **12-16**
  - (52) **U.S. Cl.**  
USPC ..... **D12/402**
  - (58) **Field of Classification Search**  
USPC ..... D12/401, 402-405, 188, 187, 189;  
D6/300, 309; D21/754; 160/370.21,  
160/370.22, 370.23; 150/158, 165-167;  
296/98, 100.01, 100.02, 136.05,  
296/136.06, 136.07, 95.1, 77.1; 135/88.01,  
135/95; 280/770
- See application file for complete search history.

5,904,392 A	5/1999	Mainwal	
6,349,732 B1 *	2/2002	Cooper	135/133
D579,771 S *	11/2008	Cherian	D9/438
D619,939 S *	7/2010	Olsen	D12/133
D620,050 S *	7/2010	Hultzman et al.	D20/2
D688,619 S *	8/2013	Camara	D12/402
D691,549 S *	10/2013	Kara	D12/402

\* cited by examiner

*Primary Examiner* — Katrina A Betton  
(74) *Attorney, Agent, or Firm* — Paul R. Martin

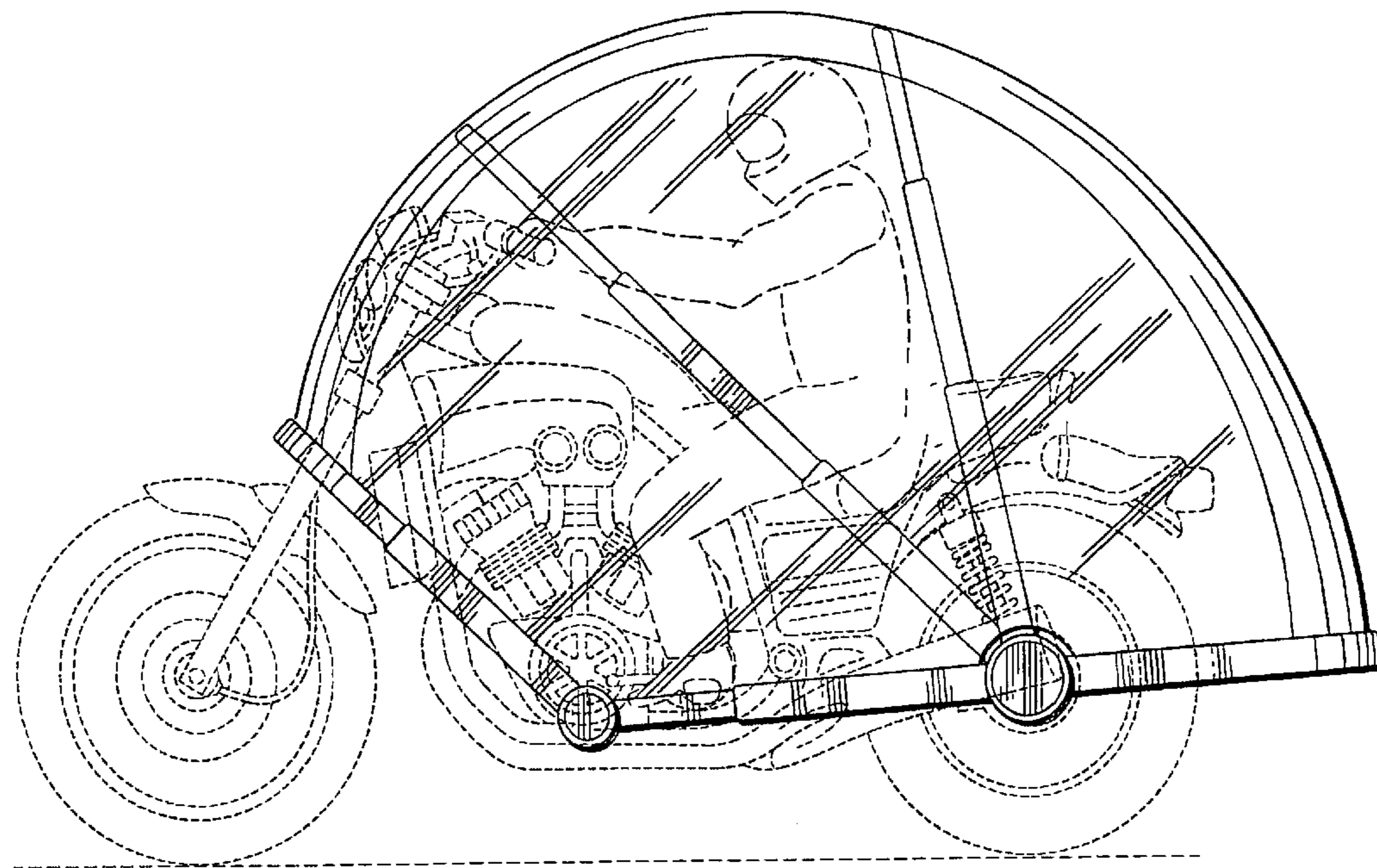
(57) **CLAIM**  
The ornamental design for a vehicle cover, as shown and described.

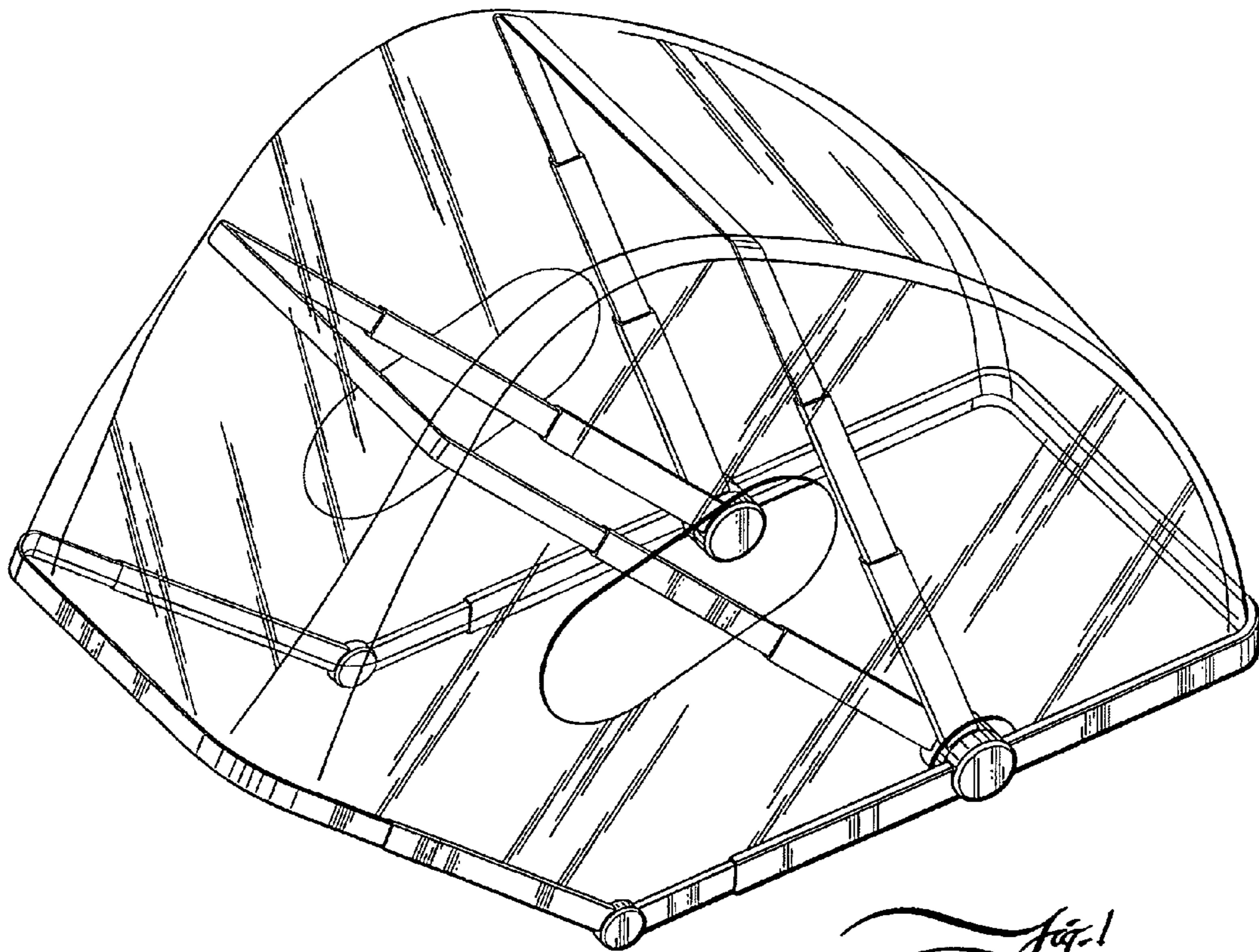
**DESCRIPTION**

FIG. 1 is a perspective view of the vehicle cover of my new design, showing it in a fully extended position.  
 FIG. 2 is a side elevational view showing the vehicle cover of my new design covering a motorcycle. The opposite side elevational view is a mirror image thereof.  
 FIG. 3 is a top plan view thereof.  
 FIG. 4 is a front elevational view thereof; and,  
 FIG. 5 is a rear elevational view thereof.  
 The broken line figure in FIG. 2, showing an individual underneath the cover riding a motorcycle, is an environmental consideration and forms no part of my new design.

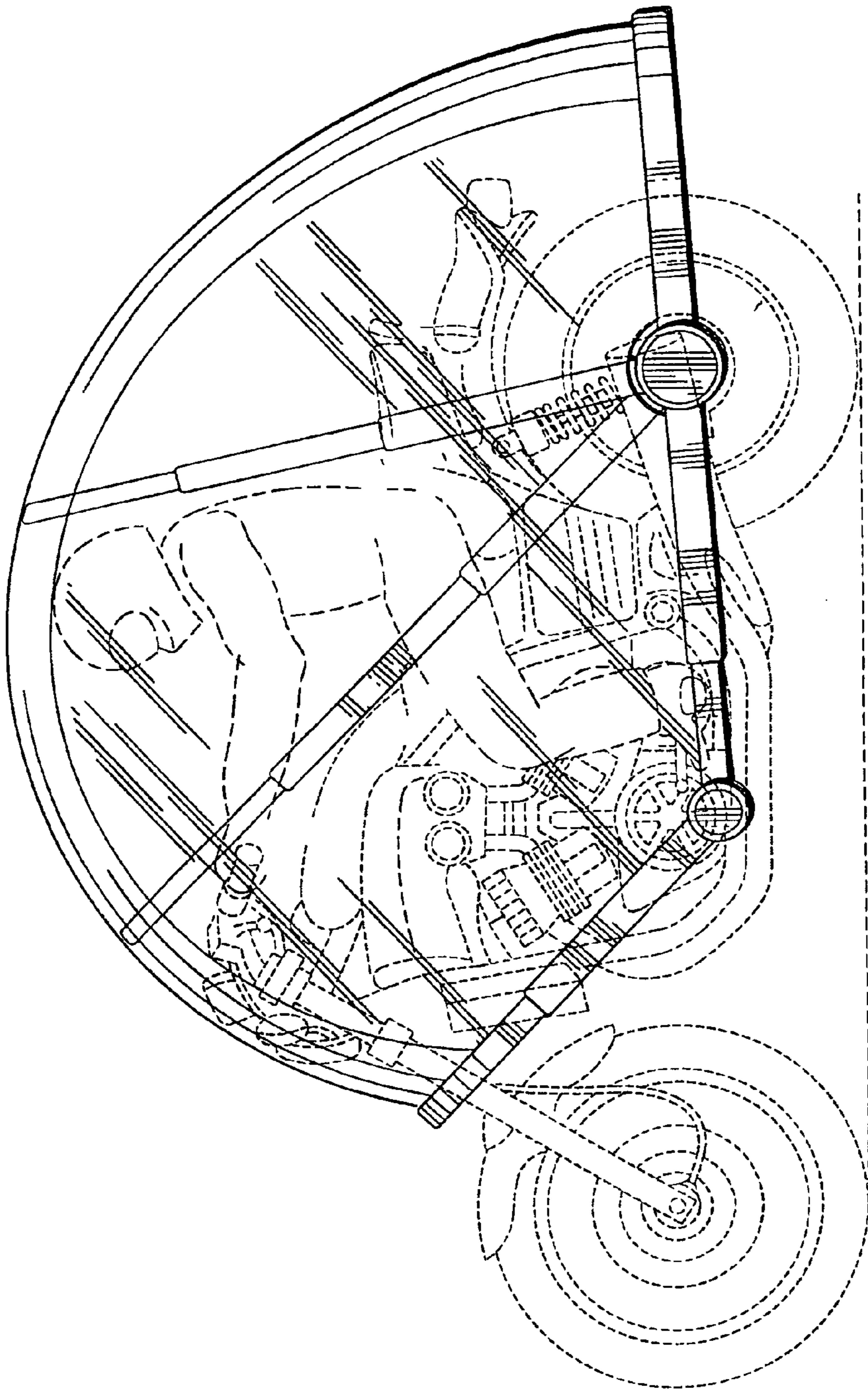
- (56) **References Cited**  
U.S. PATENT DOCUMENTS
- |               |        |                |           |
|---------------|--------|----------------|-----------|
| 3,301,589 A   | 1/1967 | Hayden         |           |
| 4,336,964 A   | 6/1982 | Pivar          |           |
| 4,440,436 A   | 4/1984 | Giddens et al. |           |
| 5,094,257 A * | 3/1992 | Wilson et al.  | 135/88.05 |

**1 Claim, 3 Drawing Sheets**

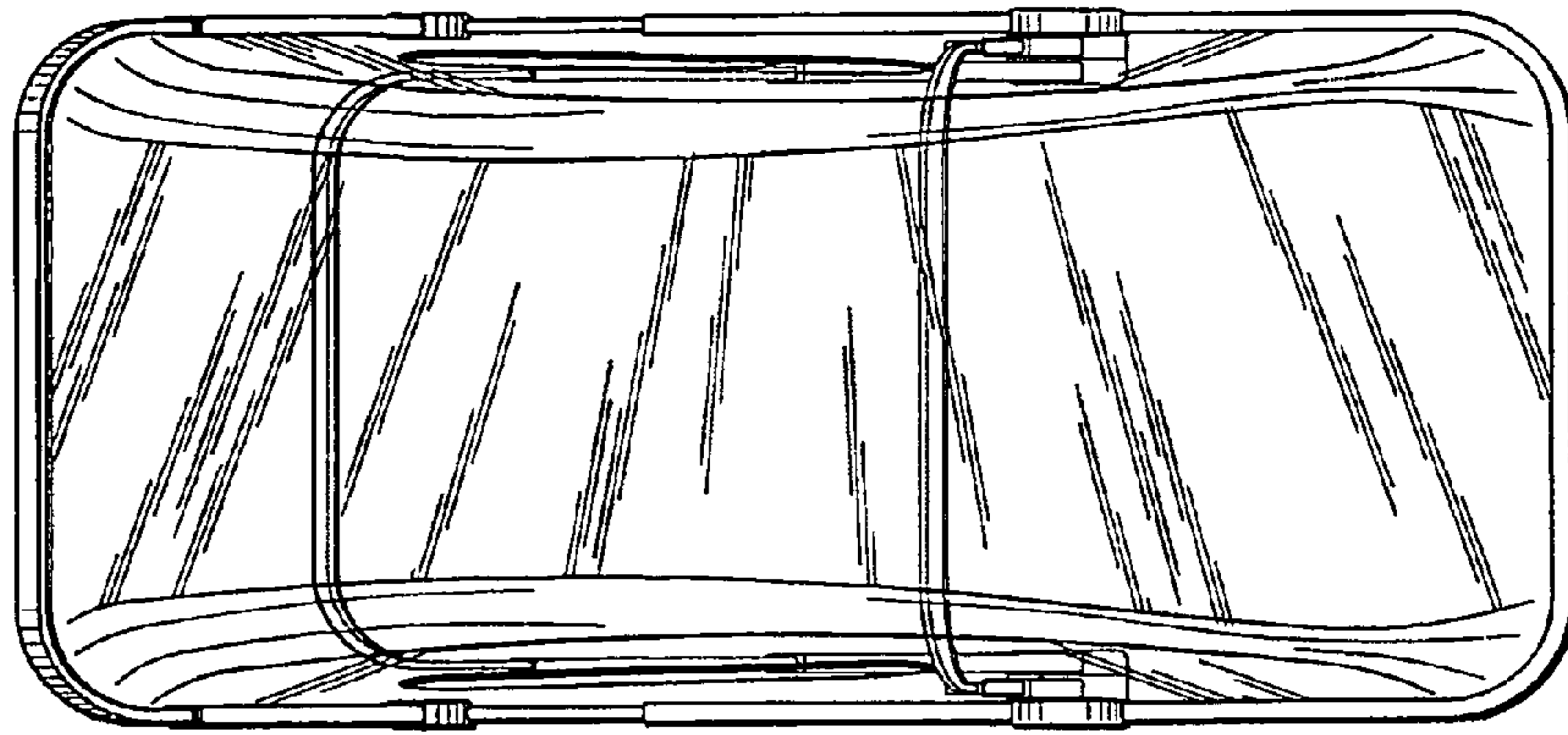




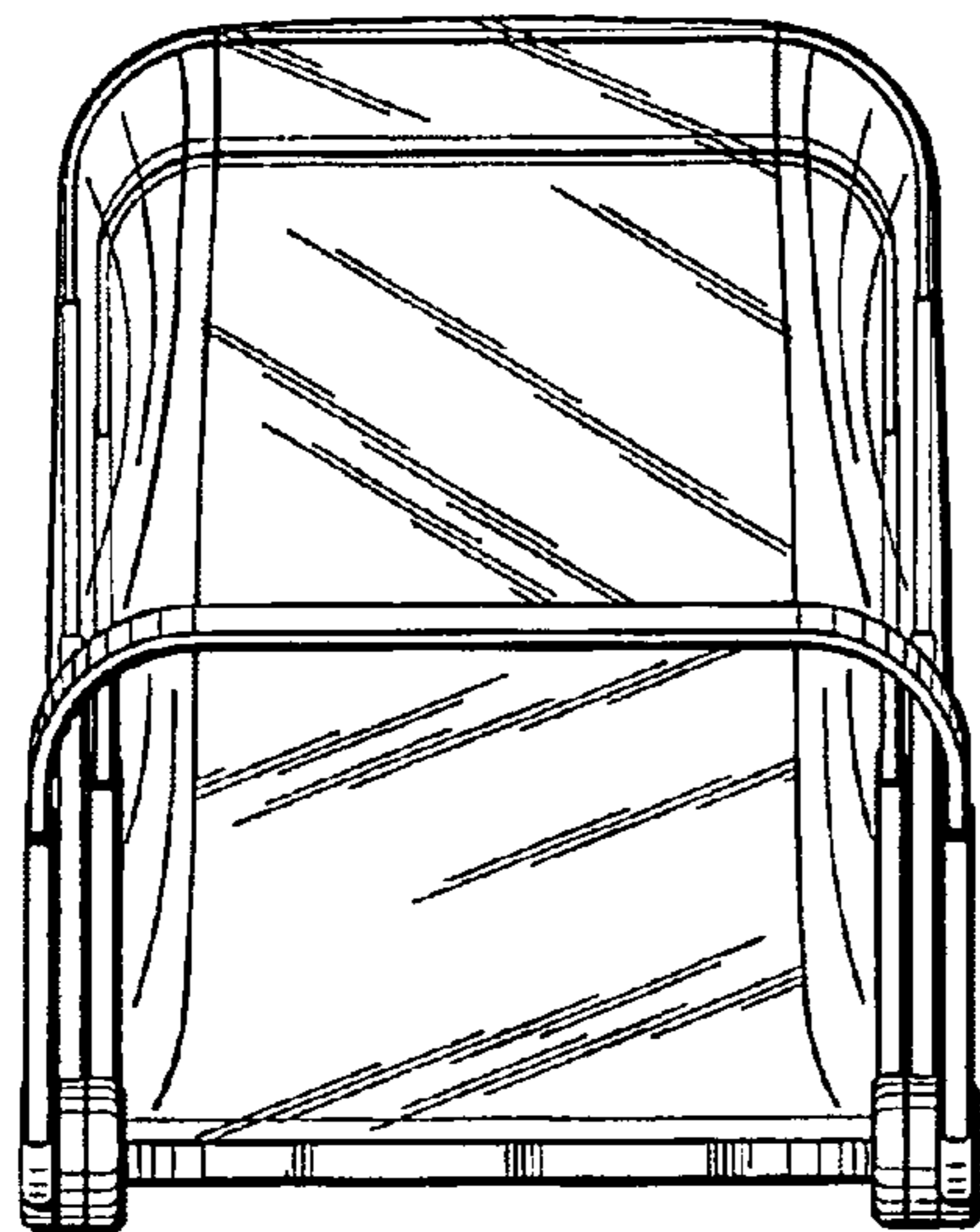
*Fig. 1*



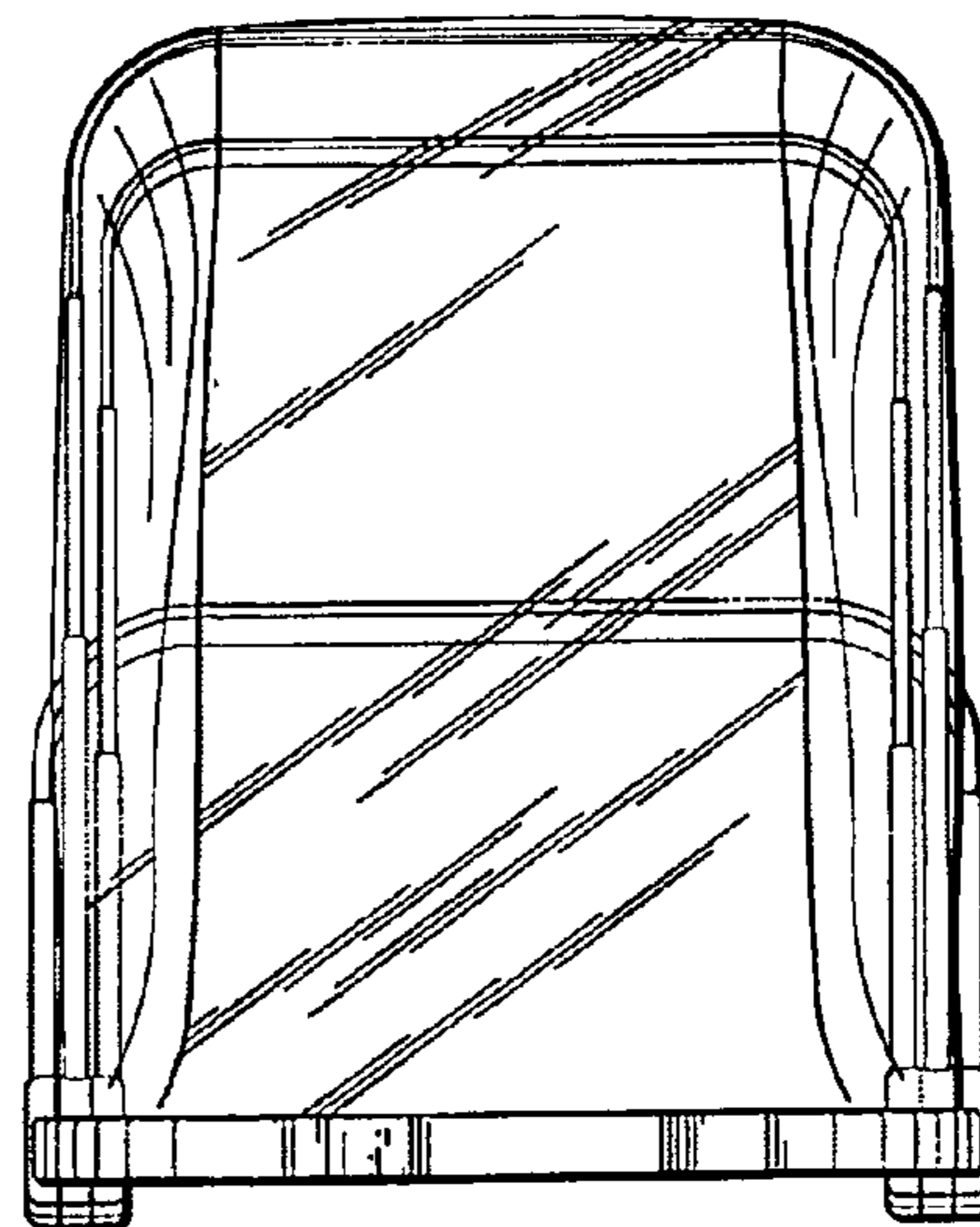
*Fig. 2*



*Fig-3*



*Fig-4*



*Fig-5*