



US00D723450S

(12) **United States Design Patent**  
**Holubar**

(10) **Patent No.:** **US D723,450 S**  
(45) **Date of Patent:** **\*\* Mar. 3, 2015**

(54) **TRUCK TOPPER**

(71) Applicant: **Robert E. Holubar**, Omaha, NE (US)

(72) Inventor: **Robert E. Holubar**, Omaha, NE (US)

(\*\*) Term: **14 Years**

(21) Appl. No.: **29/487,638**

(22) Filed: **Apr. 10, 2014**

(51) **LOC (10) Cl.** ..... **12-16**

(52) **U.S. Cl.**  
USPC ..... **D12/401**

(58) **Field of Classification Search**  
USPC ..... D12/401, 402-405, 188, 187, 189;  
D6/300, 309; D21/754; 160/370.21,  
160/370.22, 370.23; 150/158, 165-167;  
296/98, 100.01, 100.02, 136.05,  
296/136.06, 136.07, 95.1, 77.1; 135/88.01,  
135/95; 280/770

See application file for complete search history.

(56) **References Cited**

**U.S. PATENT DOCUMENTS**

D340,689 S *	10/1993	Wolcott et al.	.....	D12/404
D350,108 S *	8/1994	Blanchard	.....	D12/401
5,957,525 A *	9/1999	Nelson	.....	296/165
D574,315 S *	8/2008	Swails et al.	.....	D12/401
D584,677 S *	1/2009	Jones	.....	D12/401
D638,343 S *	5/2011	Kramer	.....	D12/403
D651,678 S *	1/2012	Muggleton	.....	D21/834

D679,771 S *	4/2013	Muggleton	.....	D12/401
D693,288 S *	11/2013	Martinez	.....	D12/401
2009/0102227 A1 *	4/2009	Herndon	.....	296/100.06

\* cited by examiner

*Primary Examiner* — Katrina A Betton

(74) *Attorney, Agent, or Firm* — Tyson B. Benson; Advent, LLP

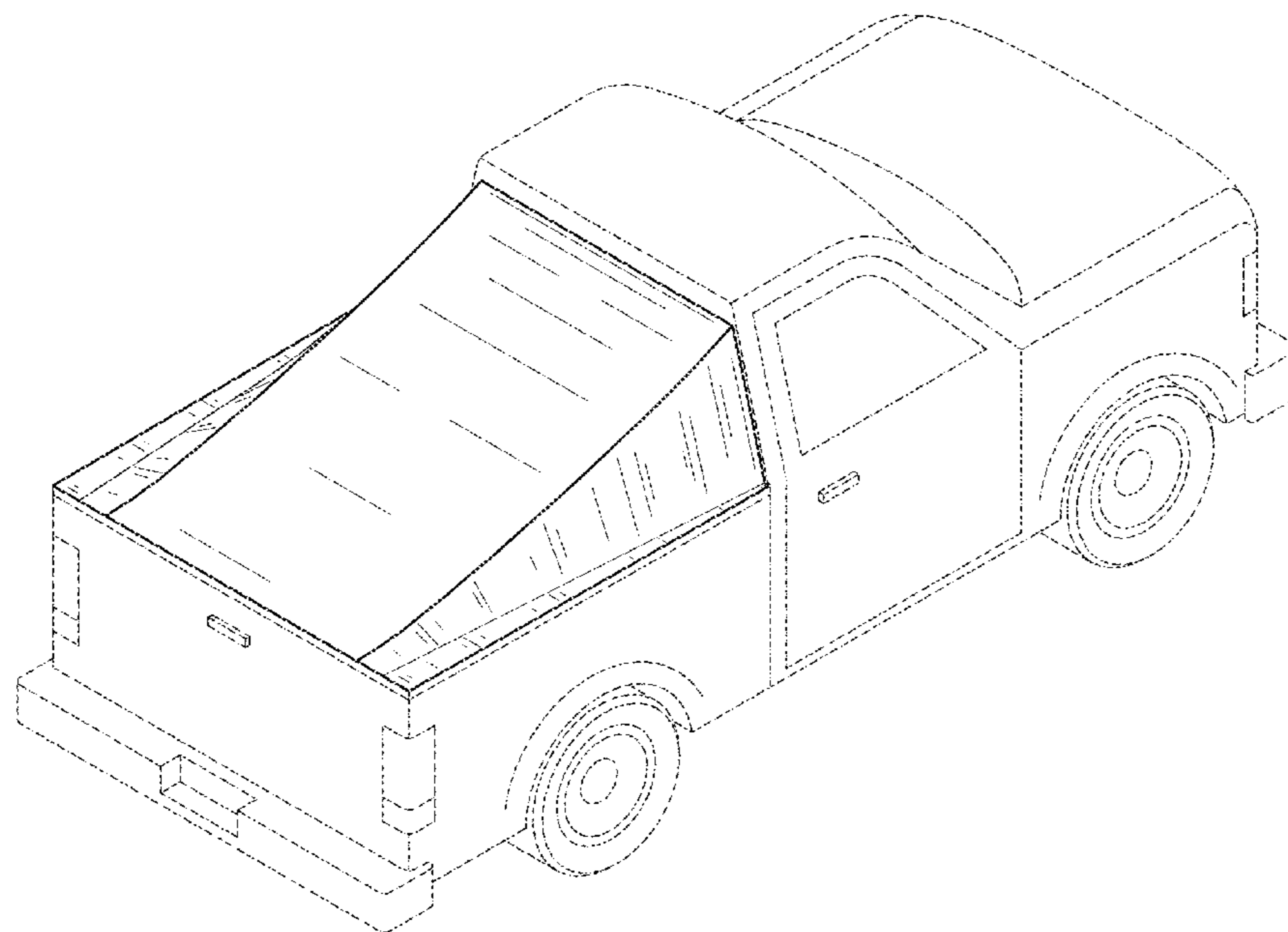
(57) **CLAIM**

The ornamental design for a truck topper, as shown and described.

**DESCRIPTION**

FIG. 1 is an isometric view of a truck topper.  
 FIG. 2 is a first end elevation view of the truck topper of FIG. 1.  
 FIG. 3 is a second end elevation view of the truck topper of FIG. 1.  
 FIG. 4 is a first side elevation view of the truck topper of FIG. 1.  
 FIG. 5 is a second side elevation view of the truck topper of FIG. 1.  
 FIG. 6 is a top plan view of the truck topper of FIG. 1.  
 FIG. 7 is a bottom plan view of the truck topper of FIG. 1; and,  
 FIG. 8 is an isometric view of a truck topper.  
 Portions of FIGS. 1 through 8 are shown in broken lines for illustrative purposes only and form no part of the claimed design.

**1 Claim, 8 Drawing Sheets**



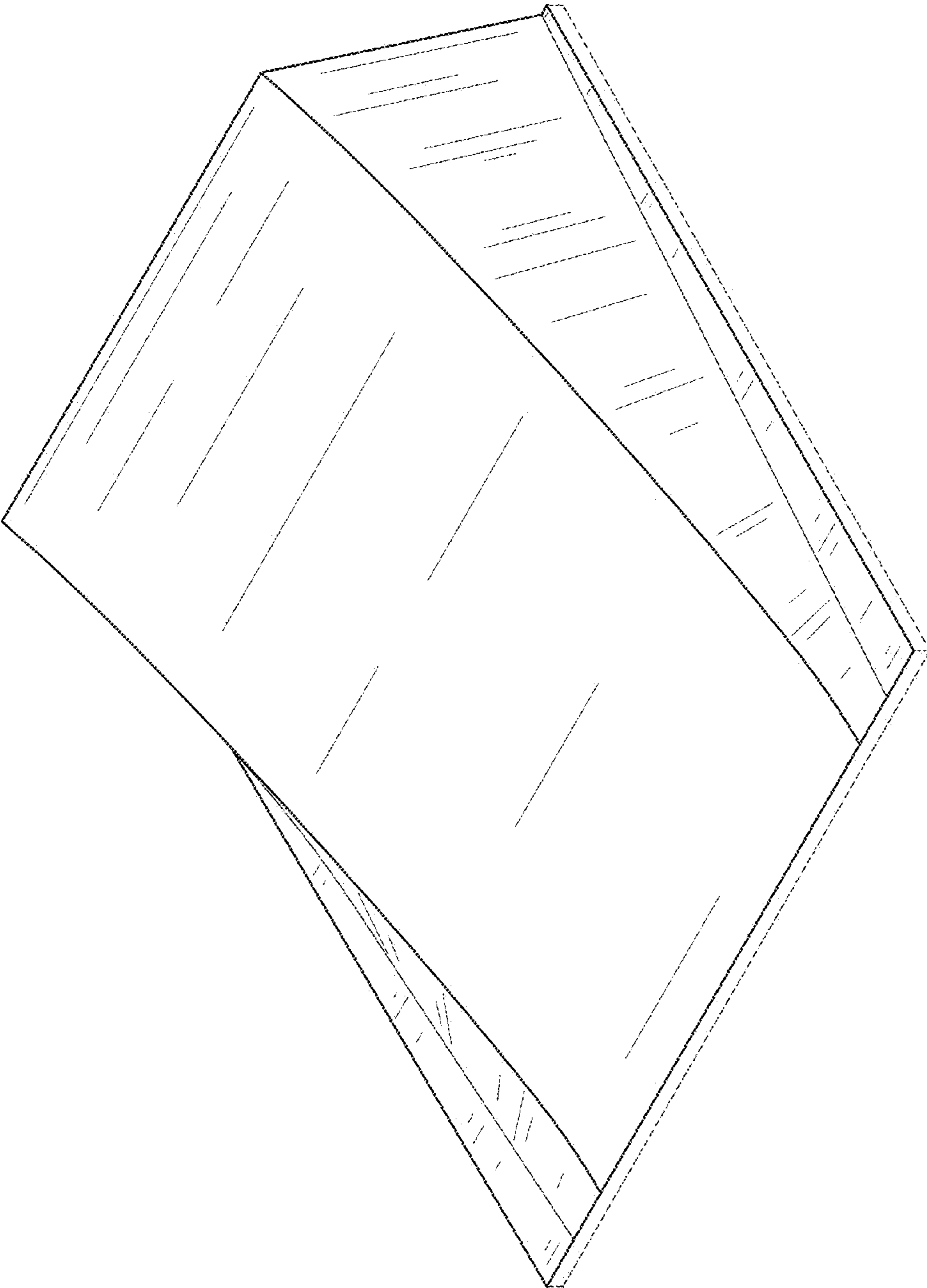


FIG. 1

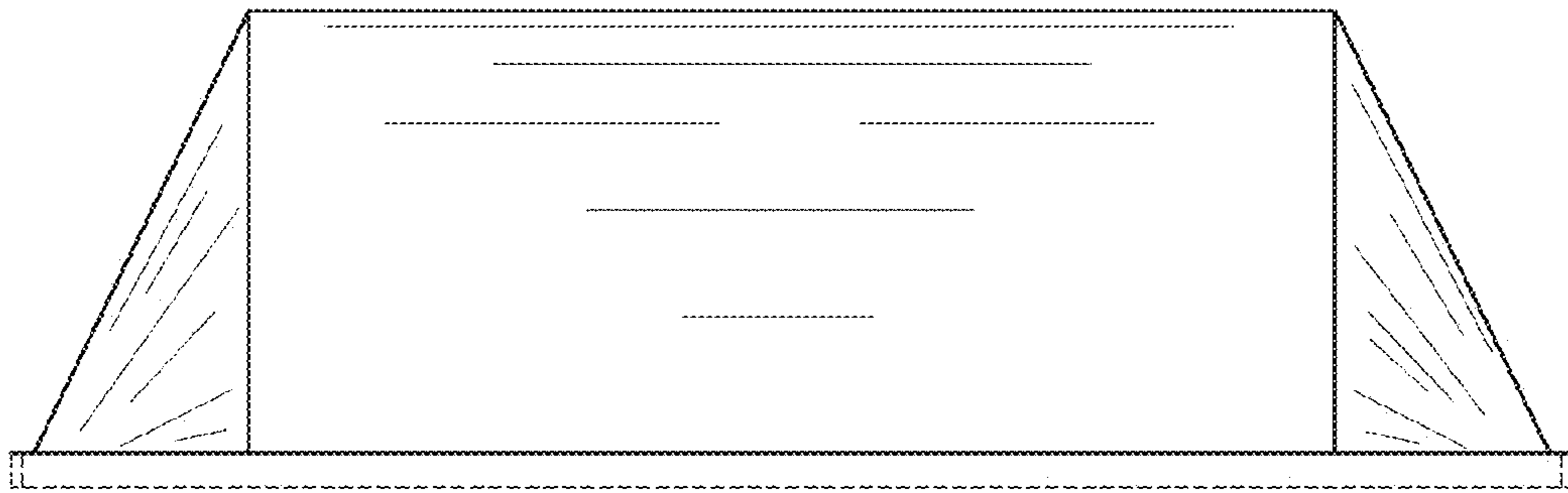


FIG. 2

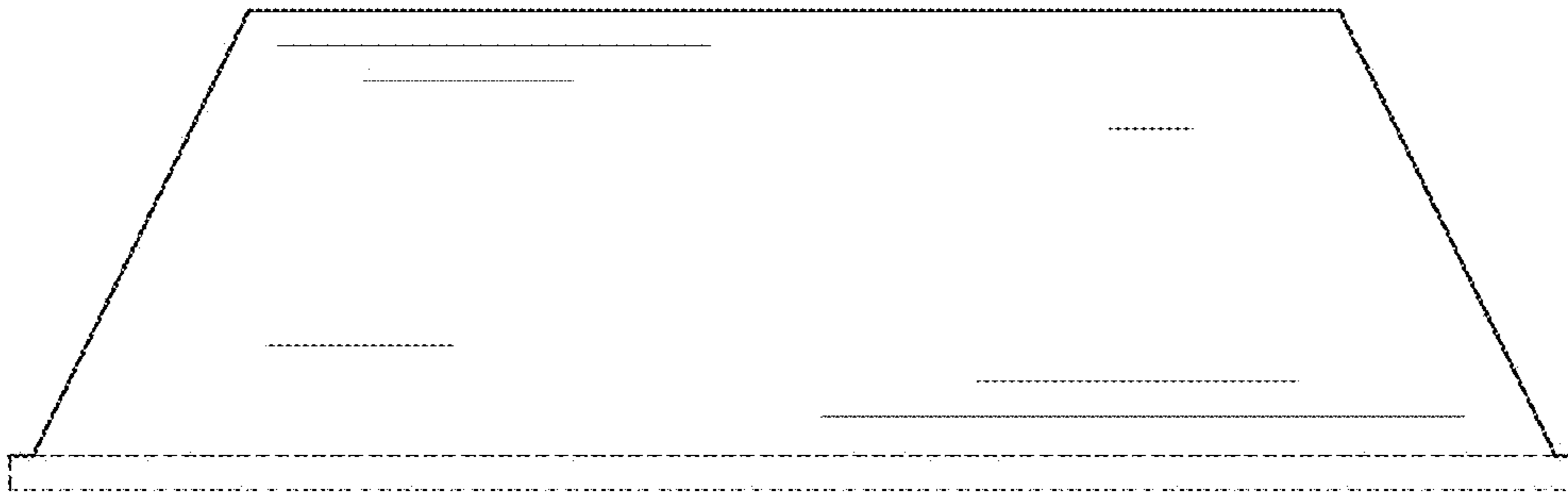


FIG. 3

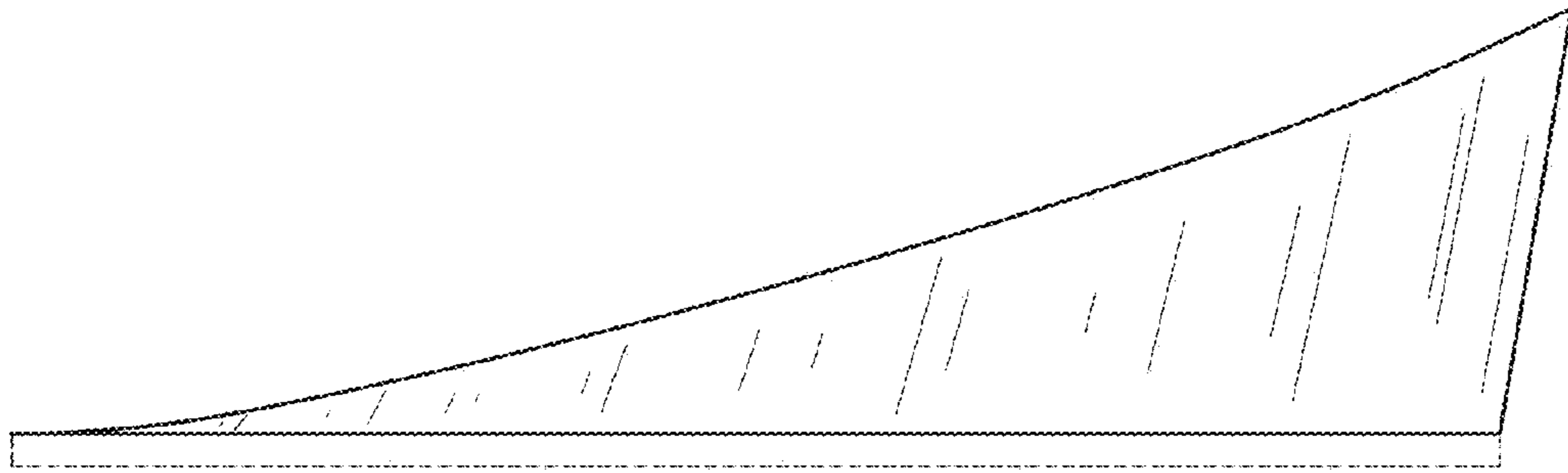


FIG. 4

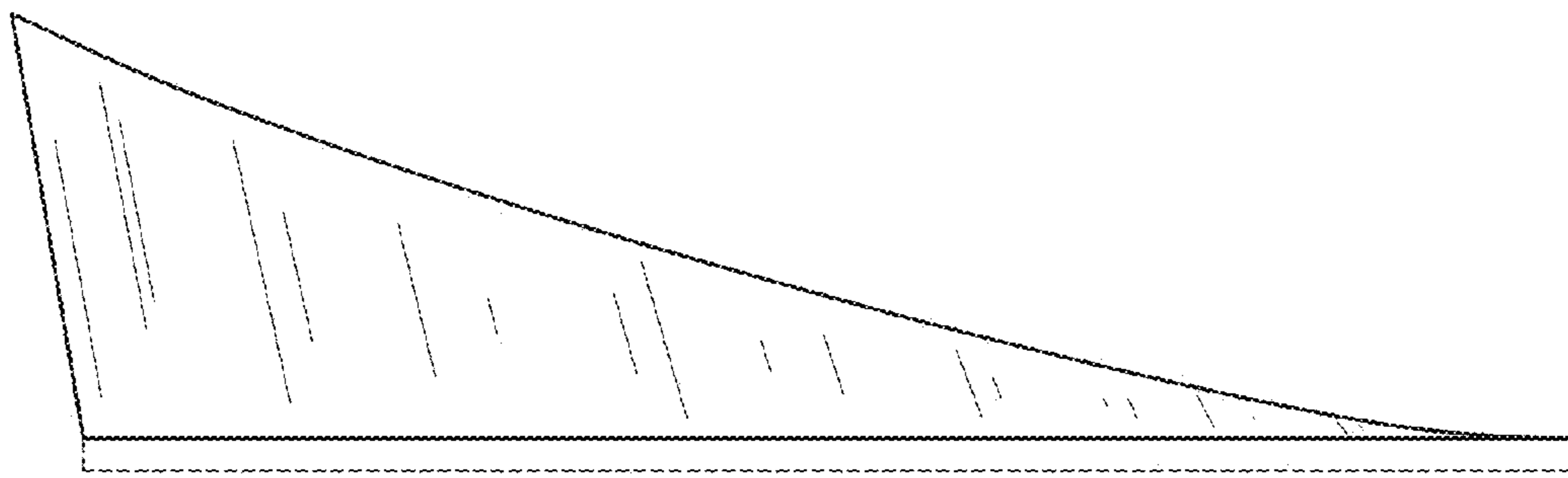


FIG. 5

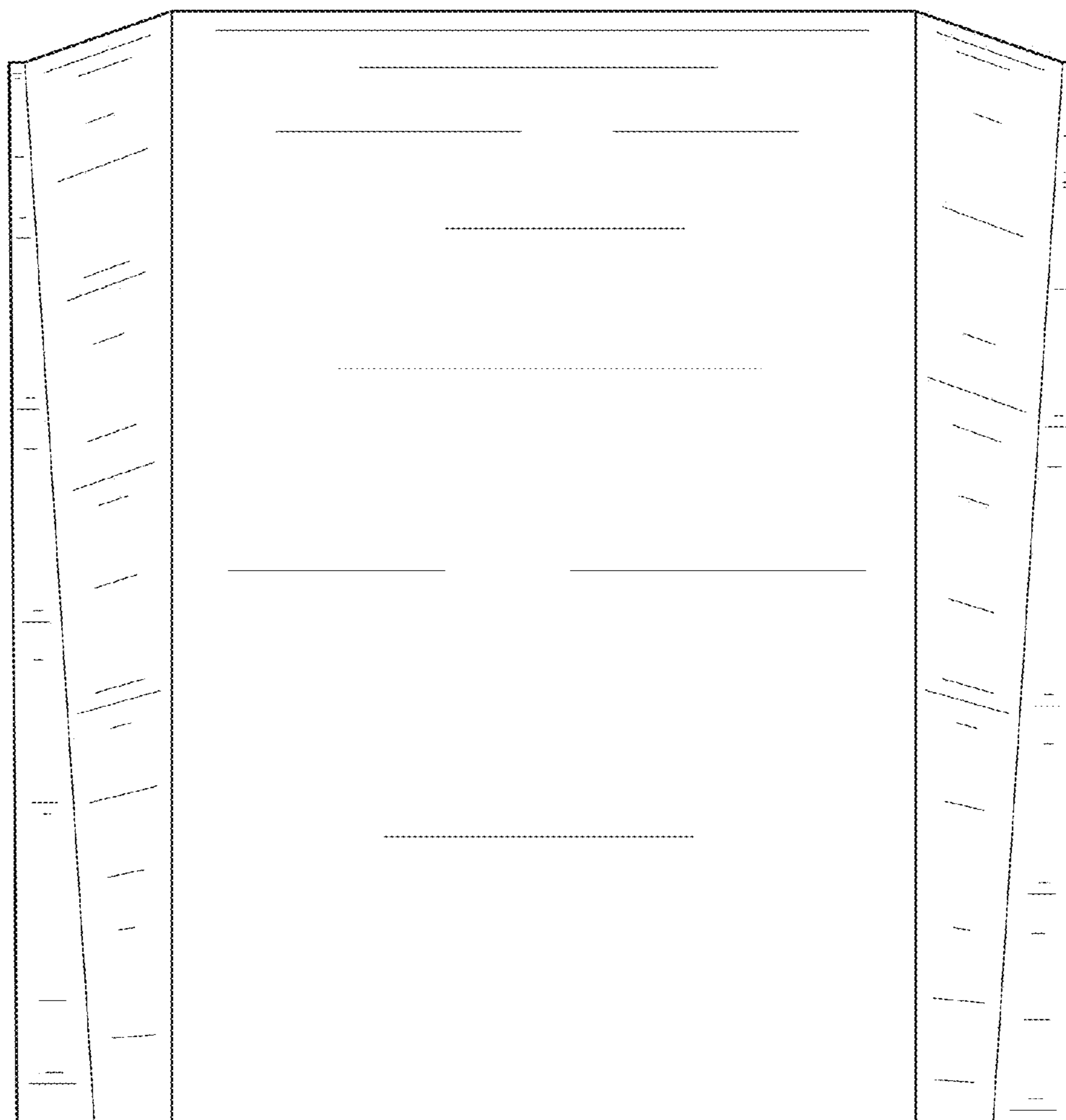


FIG. 6

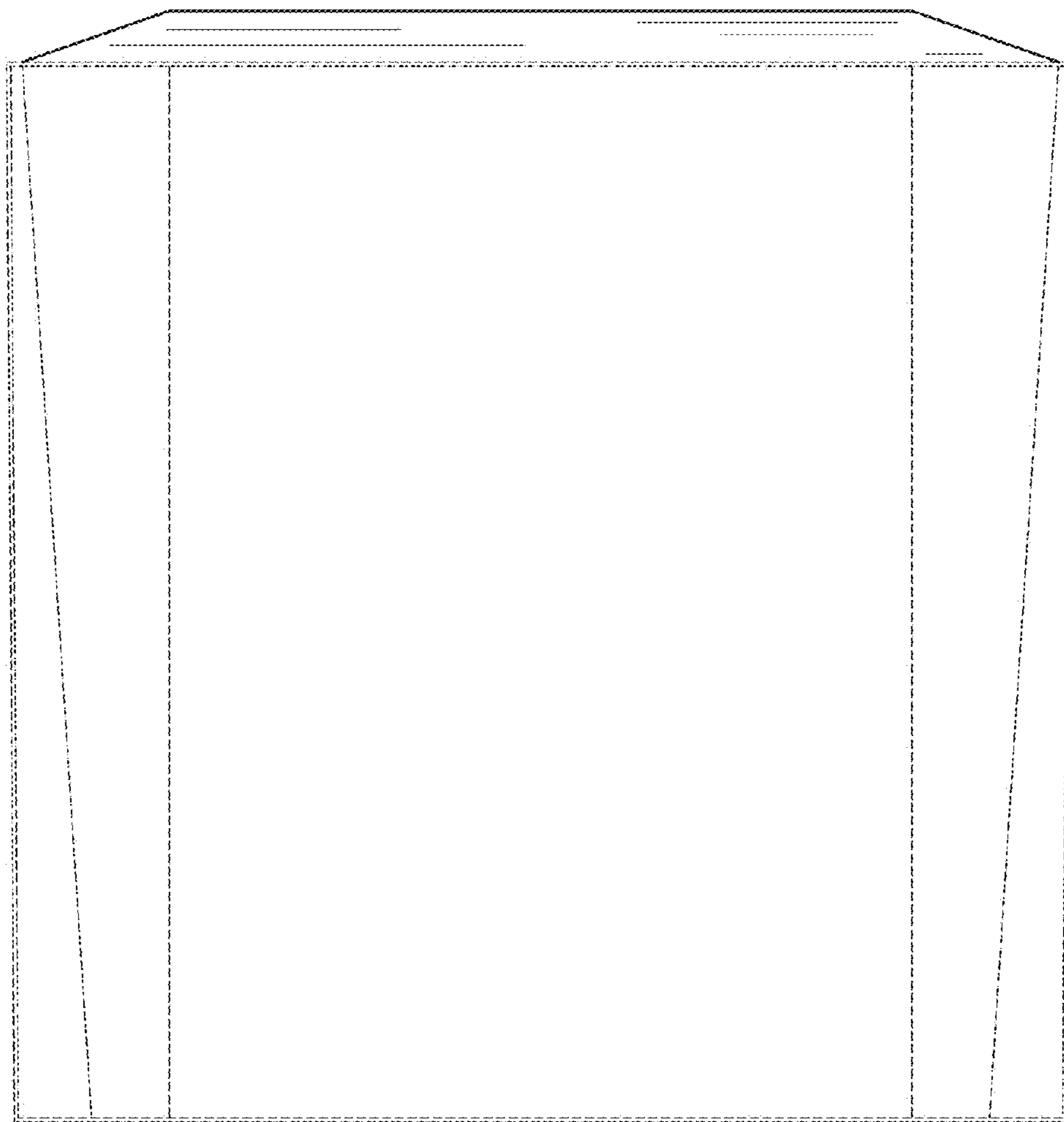


FIG. 7



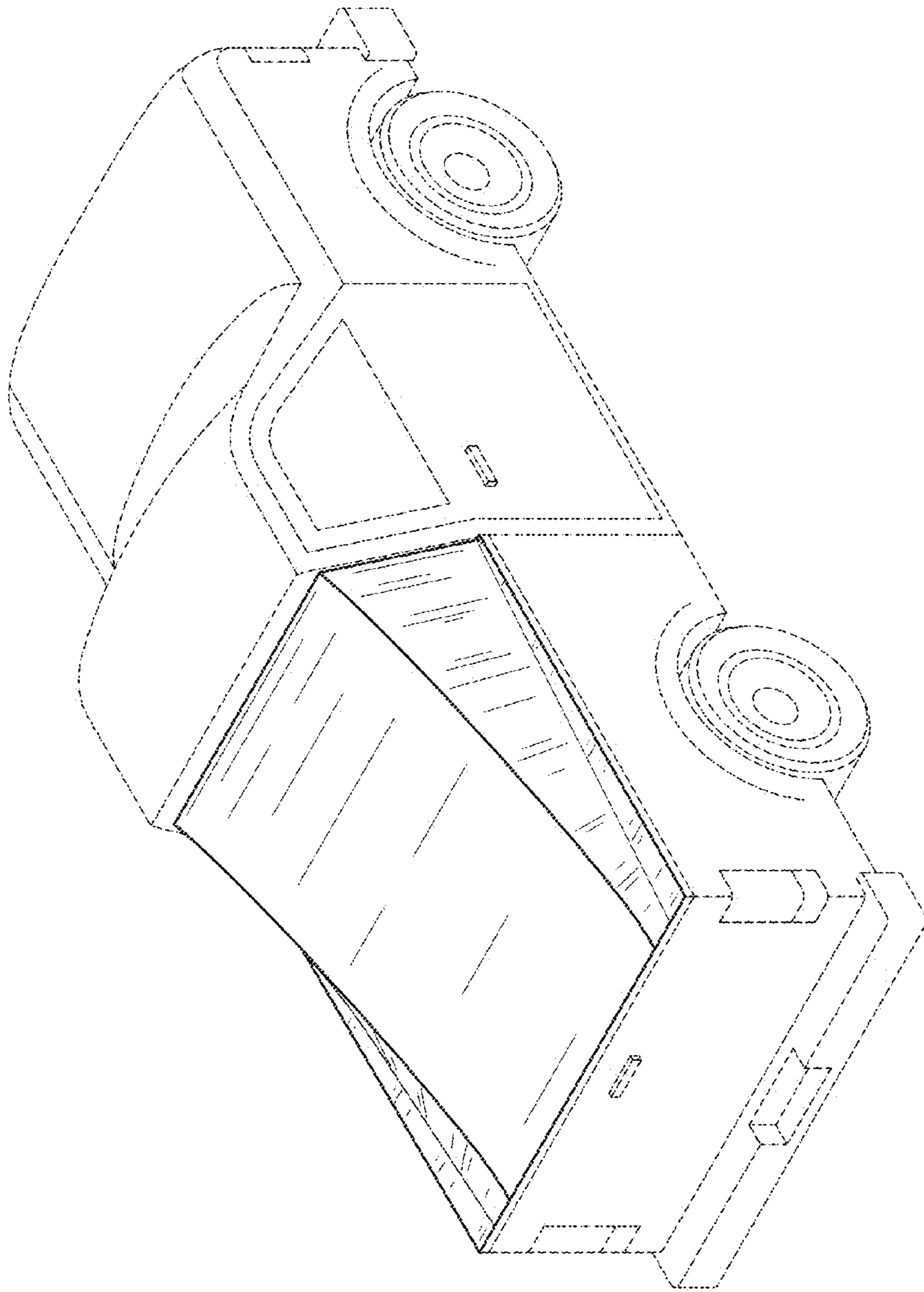


FIG. 8