



US00D723444S

(12) **United States Design Patent**
Hodges

(10) **Patent No.:** **US D723,444 S**
(45) **Date of Patent:** **** Mar. 3, 2015**

- (54) **WHEEL**
- (71) Applicant: **Frank J. Hodges**, Corona, CA (US)
- (72) Inventor: **Frank J. Hodges**, Corona, CA (US)
- (**) Term: **14 Years**
- (21) Appl. No.: **29/486,503**
- (22) Filed: **Mar. 31, 2014**
- (51) **LOC (10) Cl.** **12-16**
- (52) **U.S. Cl.**
USPC **D12/209**
- (58) **Field of Classification Search**
CPC B60B 7/00; B60B 4/02; B60B 7/04;
B60B 7/01; B60B 7/06; B60B 3/02; B60B
3/04; B60B 3/06; B60B 3/10; B60B 1/00;
B60B 1/08; B60B 1/10; B60B 1/12
USPC D12/204–213
See application file for complete search history.

- D423,444 S * 4/2000 Hussaini et al. D12/209
- D430,842 S * 9/2000 Chinellato D12/209
- D433,372 S * 11/2000 Donikoglu D12/209
- D455,701 S * 4/2002 McMath D12/209
- D491,125 S * 6/2004 Rivers et al. D12/209
- D491,126 S * 6/2004 Rivers et al. D12/209
- D560,586 S * 1/2008 Cheng D12/209
- D563,858 S * 3/2008 Aydin D12/209
- D642,106 S * 7/2011 Antoniadis et al. D12/209
- D683,292 S * 5/2013 Woolley et al. D12/209
- D693,282 S * 11/2013 Ichikawa et al. D12/209
- D700,566 S * 3/2014 Ichikawa et al. D12/209

* cited by examiner

Primary Examiner — Stacia Cadmus

(74) *Attorney, Agent, or Firm* — Eric B. Alspaugh

(56) **References Cited**

U.S. PATENT DOCUMENTS

- D396,444 S * 7/1998 Neeper D12/209
- D405,043 S * 2/1999 Moreno D12/209

(57) **CLAIM**

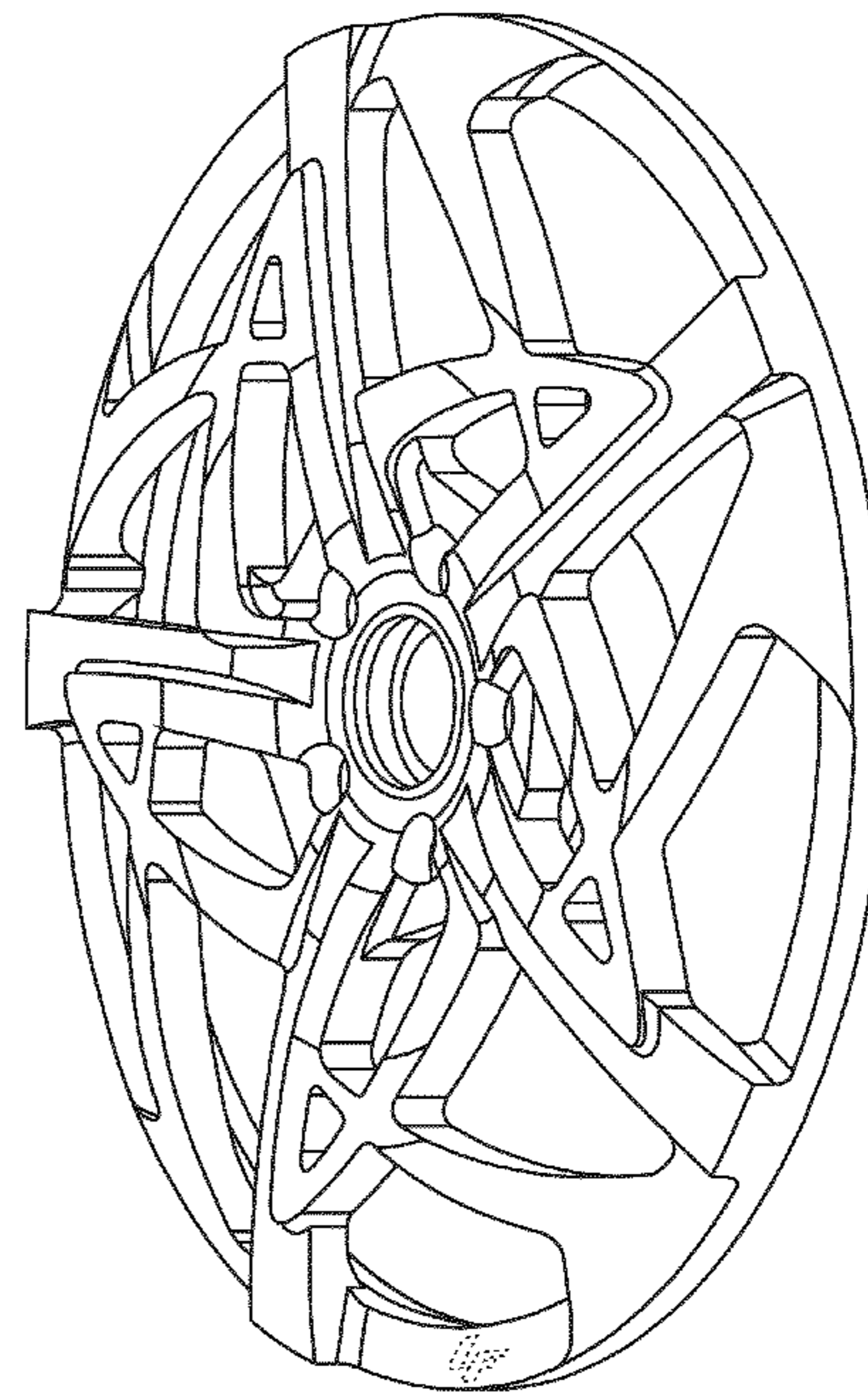
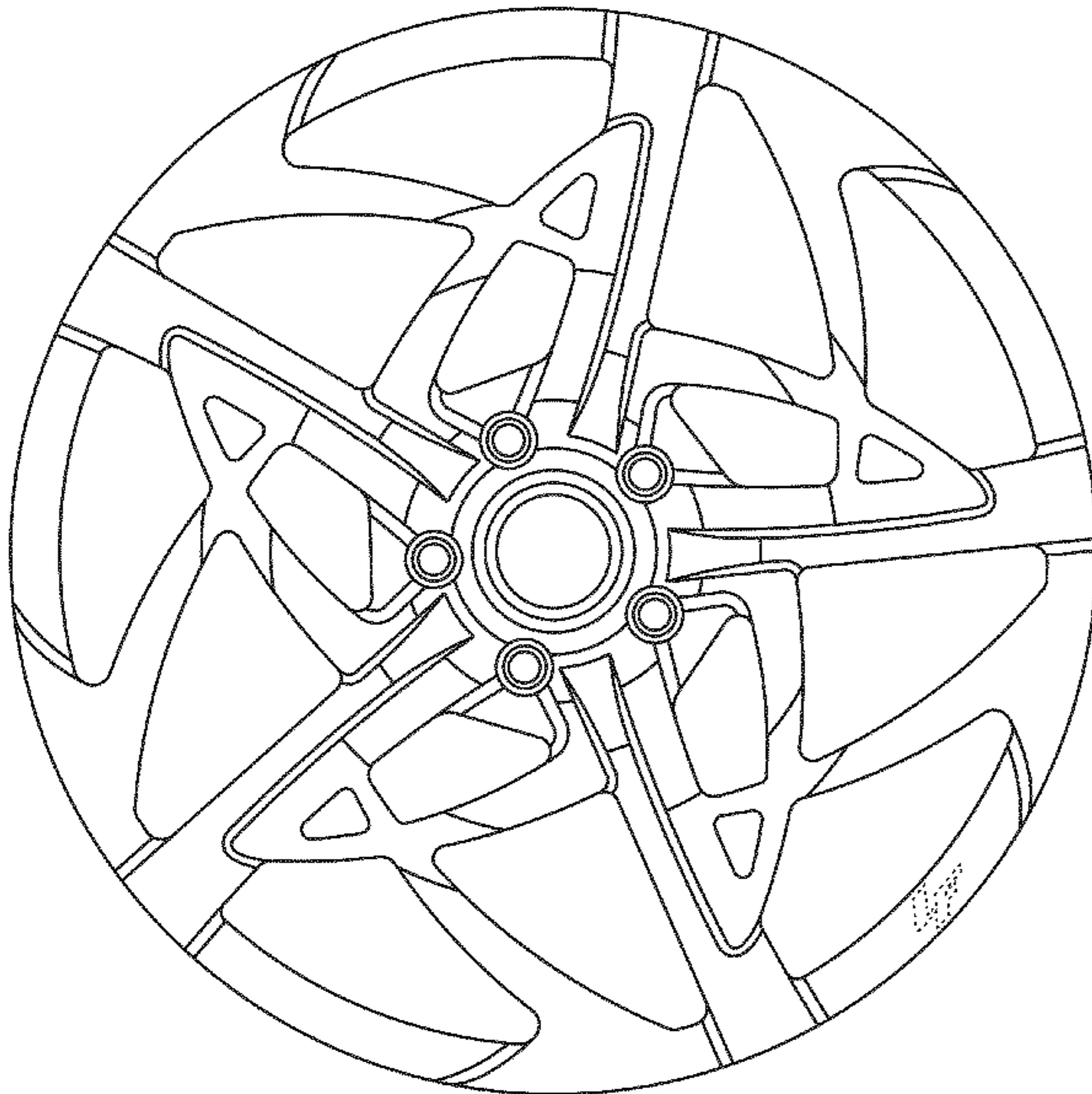
The ornamental design for a wheel, as shown and described.

DESCRIPTION

FIG. 1 is a front view of a wheel showing my new design; and, FIG. 2 is a perspective view thereof.

The broken lines shown in the drawings are for illustrative purposes only and form no part of the claimed design.

1 Claim, 2 Drawing Sheets



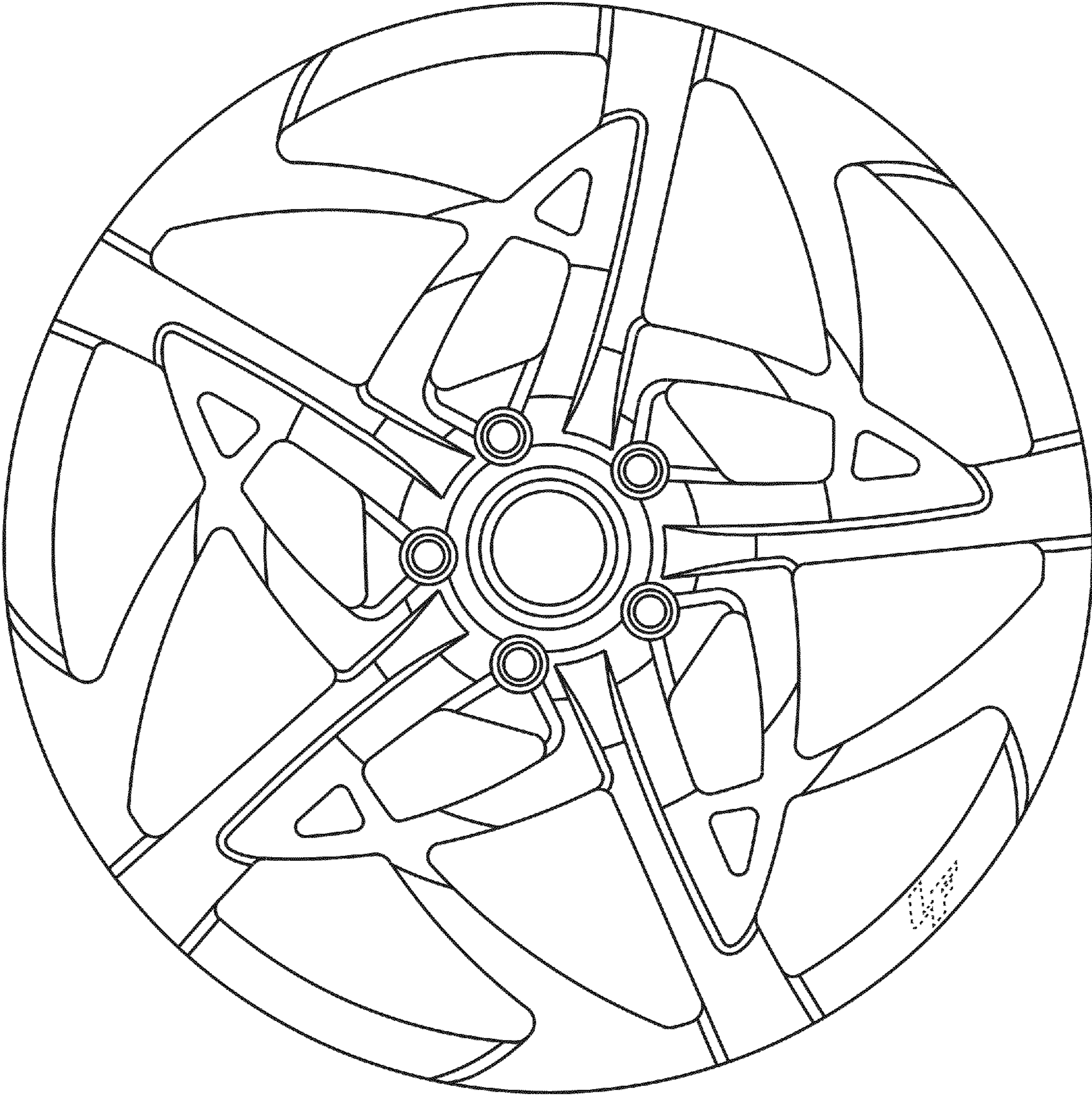


Fig. 1

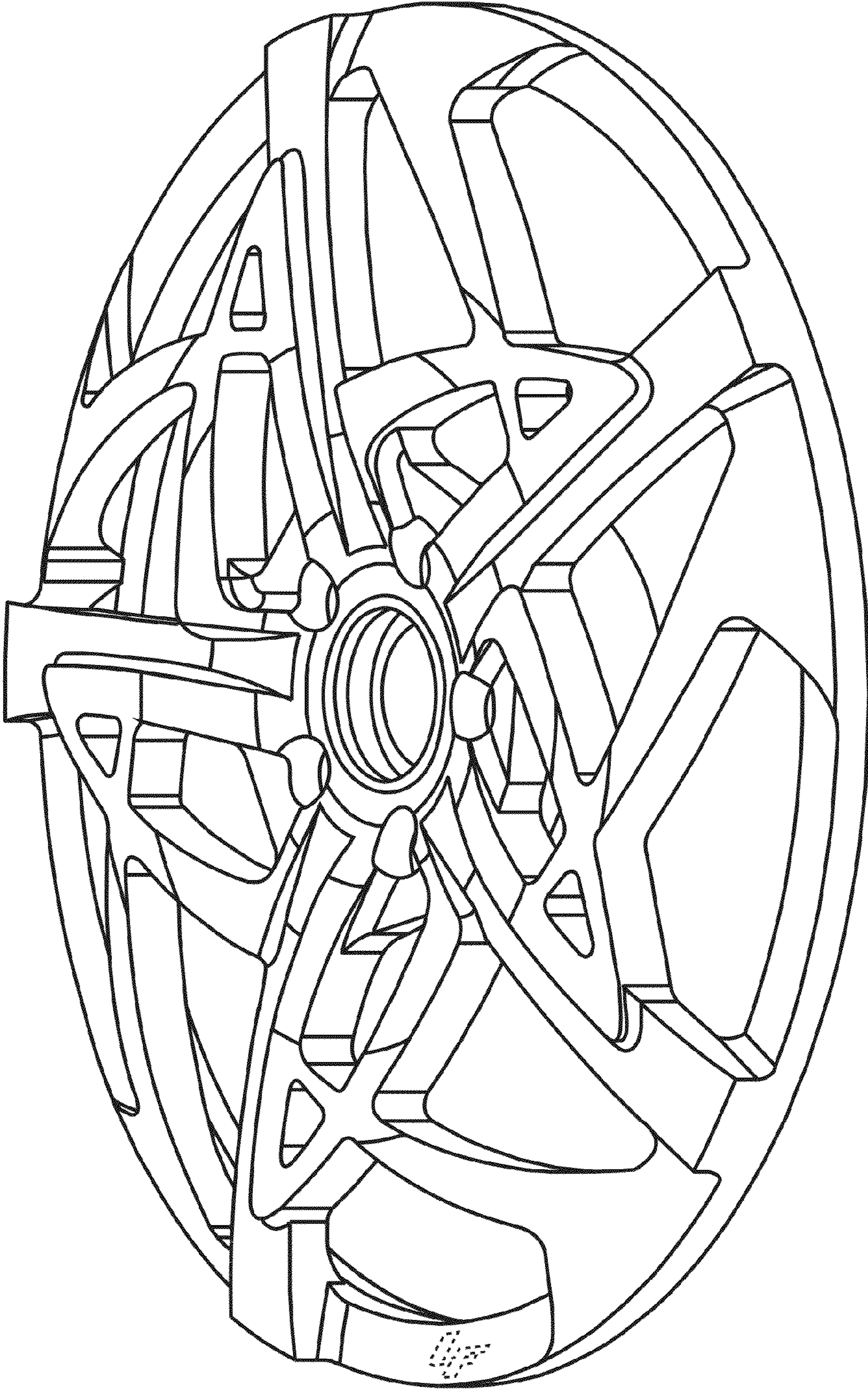


Fig. 2