



US00D723443S

(12) **United States Design Patent**
Anderson et al.

(10) **Patent No.:** **US D723,443 S**
(45) **Date of Patent:** **** Mar. 3, 2015**

- (54) **HITCH STEP WITH LIGHT**
- (71) Applicant: **Cequent Consumer Products, Inc.**,
Solon, OH (US)
- (72) Inventors: **Derek Anderson**, Mayfield Heights, OH
(US); **Gerald Corless**, Streetsboro, OH
(US); **Gregory Rotenberg**, Highland
Heights, OH (US)

D491,509 S * 6/2004 Bundy D12/203
 6,769,704 B2 8/2004 Cipolla
 6,851,692 B2 2/2005 Mitchell
 D511,319 S * 11/2005 Wang D12/203
 7,081,197 B1 7/2006 Davis
 7,185,904 B1 3/2007 Jones et al.
 D549,623 S * 8/2007 Gaddy D12/162
 7,347,597 B2 3/2008 French

(Continued)

- (73) Assignee: **Cequent Consumer Products, Inc.**,
Solon, OH (US)

FOREIGN PATENT DOCUMENTS

WO WO2010/128195 11/2010

- (**) Term: **14 Years**

OTHER PUBLICATIONS

International Search Report, Cequent Consumer Products, Inc., PCT/
US2013/035128, Jul. 11, 2013.

- (21) Appl. No.: **29/470,387**

Primary Examiner — Jeffrey D Asch

- (22) Filed: **Oct. 21, 2013**

Assistant Examiner — Natasha Vujcic

- (51) **LOC (10) Cl.** **12-16**

(74) *Attorney, Agent, or Firm* — McDonald Hopkins LLC;
Jeff Urian

- (52) **U.S. Cl.**

USPC **D12/203**

- (58) **Field of Classification Search**

CPC B60D 1/07; B60D 1/173; B60D 1/483;
B60D 1/54; B60D 1/56; E02F 9/0833; B60R
3/005; B60R 3/007

USPC D12/89, 203, 314; 182/64.1, 127;
280/5.3, 163, 164.2, 166, 169, 291;
D25/62, 63, 68, 69

See application file for complete search history.

- (57) **CLAIM**

The ornamental design for a hitch step with light, as shown
and described.

DESCRIPTION

FIG. 1 is a perspective view of a hitch step with light, showing
our new design;
FIG. 2 is a front view thereof;
FIG. 3 is a rear view thereof;
FIG. 4 is a first side view thereof;
FIG. 5 is a second side view thereof;
FIG. 6 is a top view thereof; and,
FIG. 7 is a bottom view thereof.

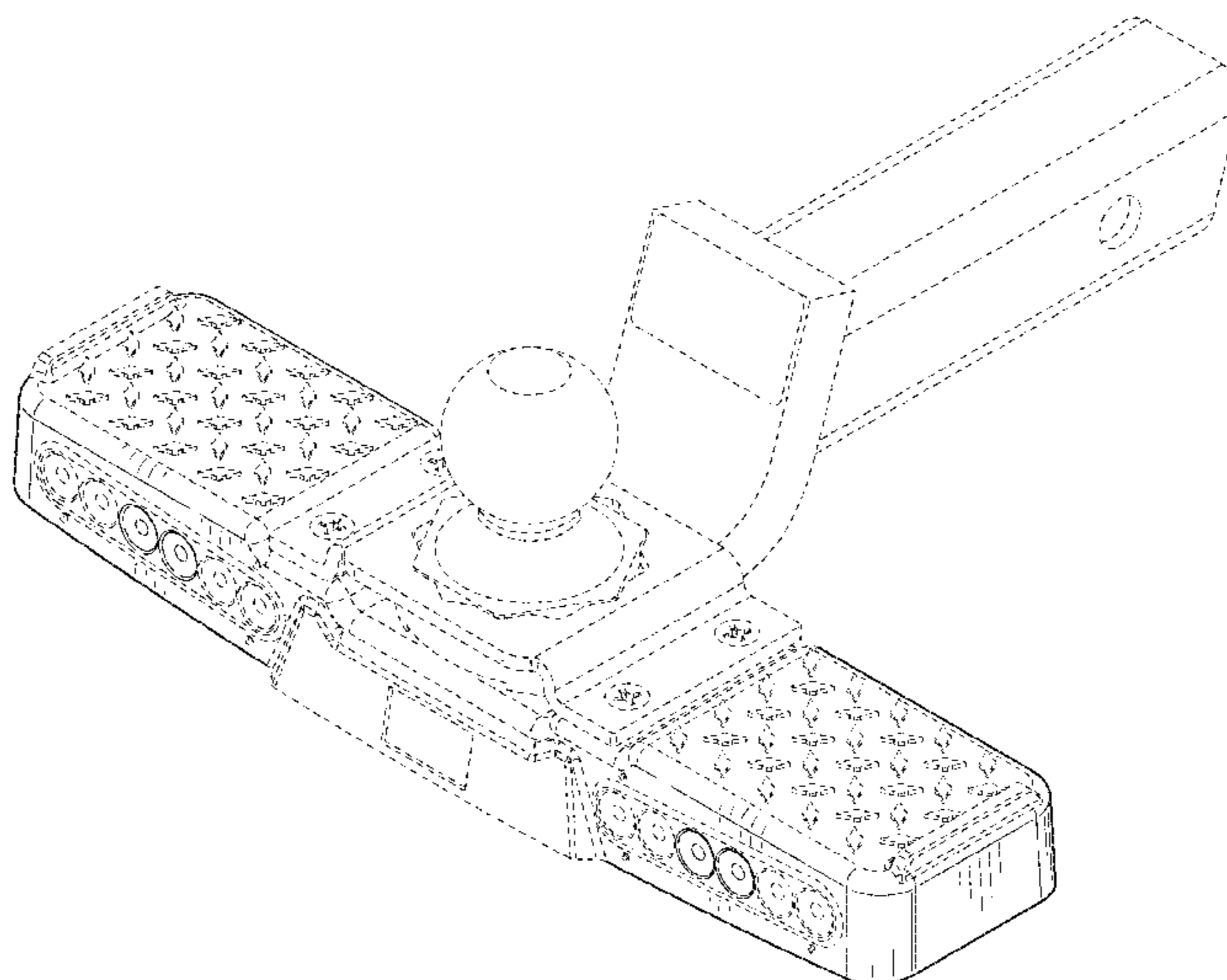
The broken lines in the drawings that are immediately adja-
cent to the shaded areas define the boundaries of the claimed
design. All other broken lines in the drawing illustrate por-
tions of the hitch step with light. The broken lines form no part
of the claimed design.

- (56) **References Cited**

U.S. PATENT DOCUMENTS

3,717,362 A * 2/1973 Johnson 280/416.1
 4,412,635 A 11/1983 Bateman
 5,043,536 A 8/1991 DeBartolo, Jr.
 5,358,269 A * 10/1994 Jakeman et al. 280/490.1
 5,738,362 A * 4/1998 Ludwick 280/166
 6,145,861 A 11/2000 Willis
 6,491,315 B2 * 12/2002 Hagen et al. 280/164.1
 6,511,086 B2 1/2003 Schlicht
 6,554,311 B1 4/2003 Blankenship et al.
 6,682,086 B1 * 1/2004 Erickson 280/166

1 Claim, 5 Drawing Sheets



(56)

References Cited

U.S. PATENT DOCUMENTS

7,377,564	B1 *	5/2008	Baffy et al.	293/117	2003/0011164	A1 *	1/2003	Cipolla	280/164.1
7,419,177	B2	9/2008	Kottke et al.		2004/0160034	A1	8/2004	Mitchell	
D595,630	S *	7/2009	McPherson et al.	D12/203	2004/0207224	A1	10/2004	Miller et al.	
7,661,694	B2	2/2010	Krespach et al.		2005/0040623	A1	2/2005	Krespach et al.	
8,393,629	B2	3/2013	Wotherspoon		2005/0286257	A1	12/2005	Trimmer et al.	
D695,665	S *	12/2013	Masanek, Jr.	D12/203	2006/0091637	A1	5/2006	Knittel	
8,727,364	B2 *	5/2014	Masanek et al.	280/163	2011/0167688	A1	7/2011	Frost	
					2011/0285104	A1	11/2011	Wotherspoon	
					2012/0299266	A1	11/2012	Gordon	
					2013/0270791	A1 *	10/2013	Anderson	280/163

* cited by examiner

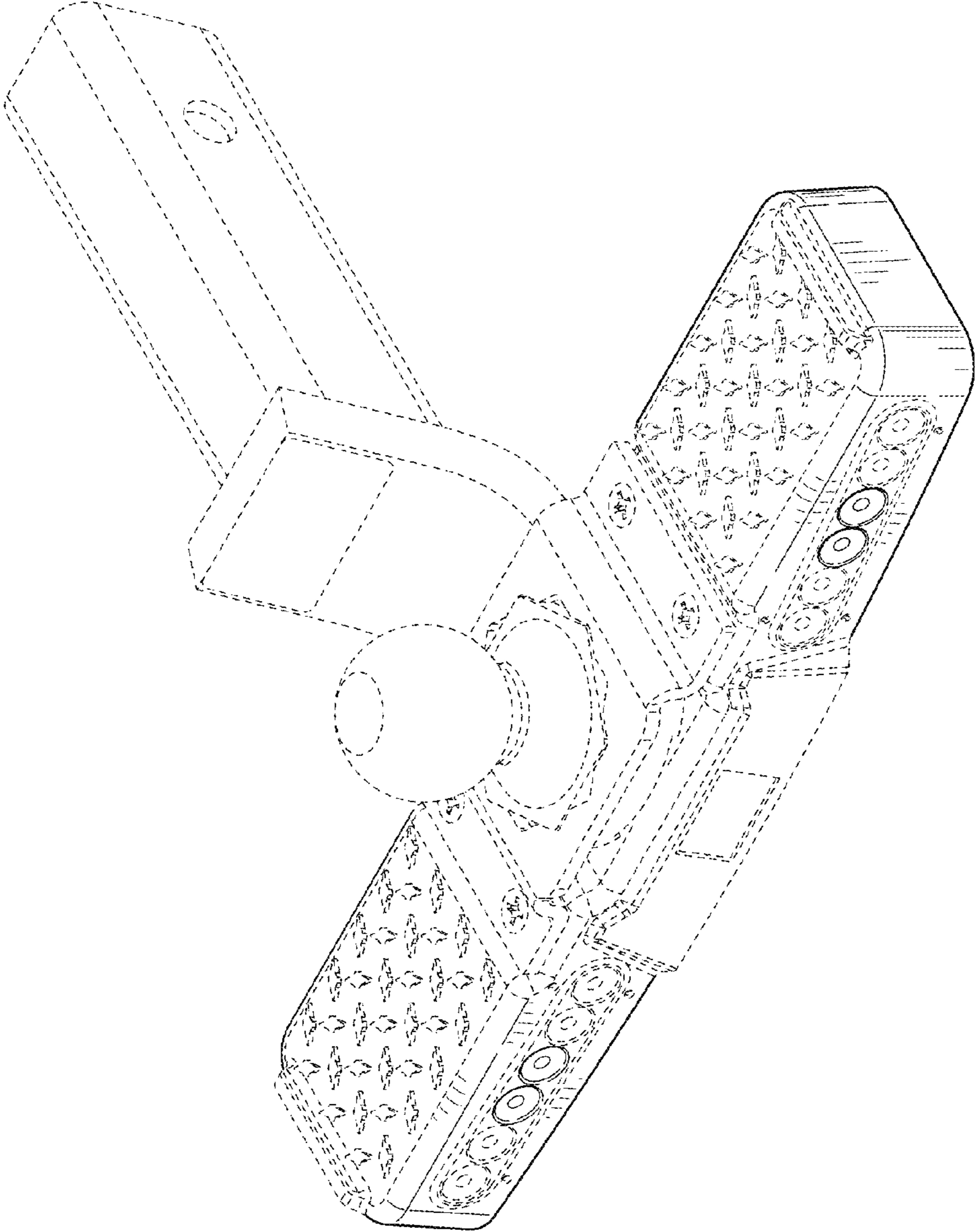


FIG.1

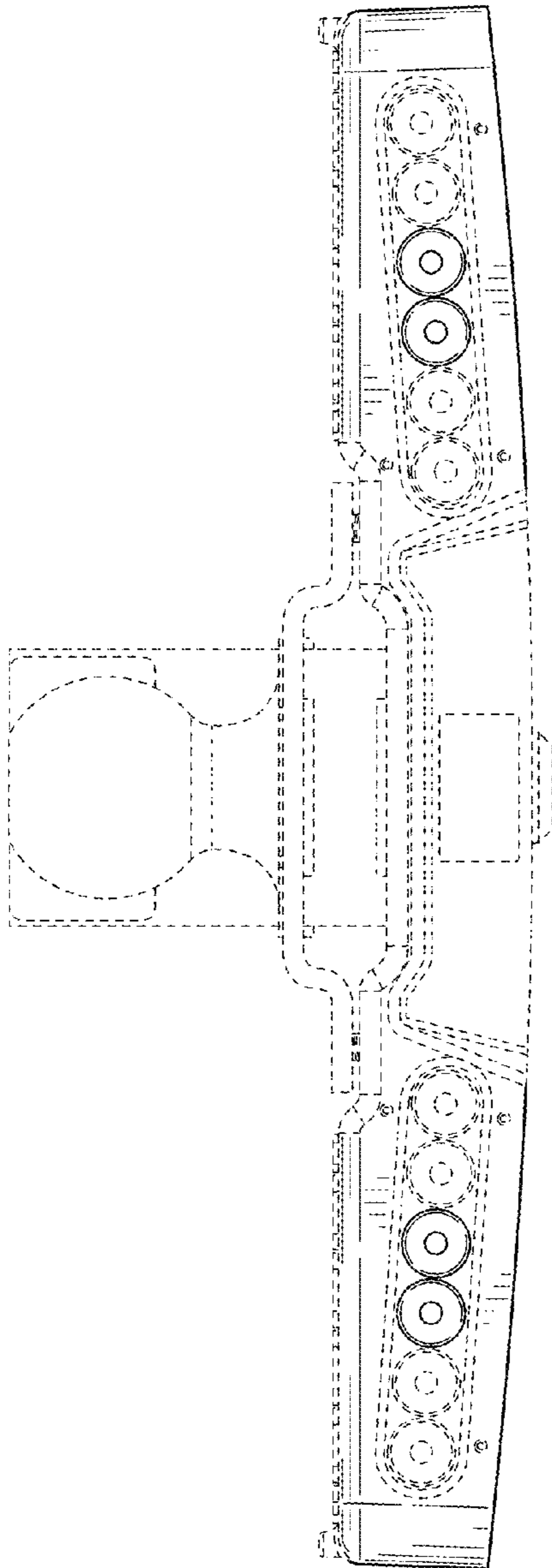


FIG. 2

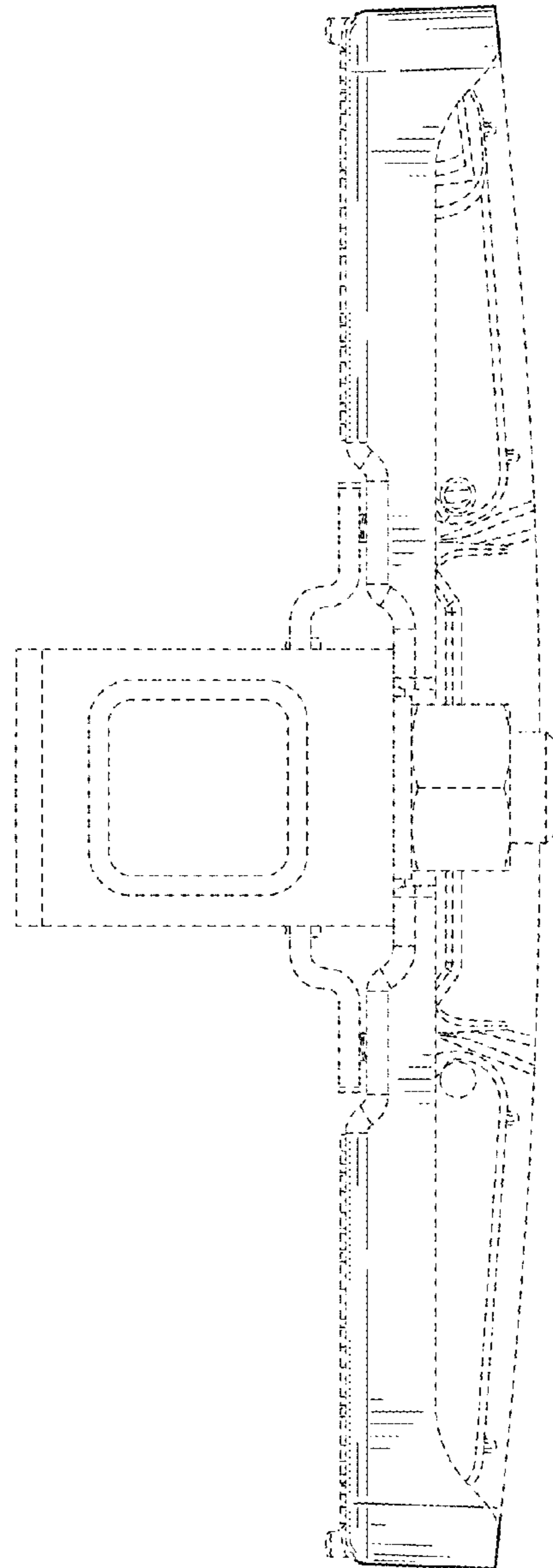


FIG. 3

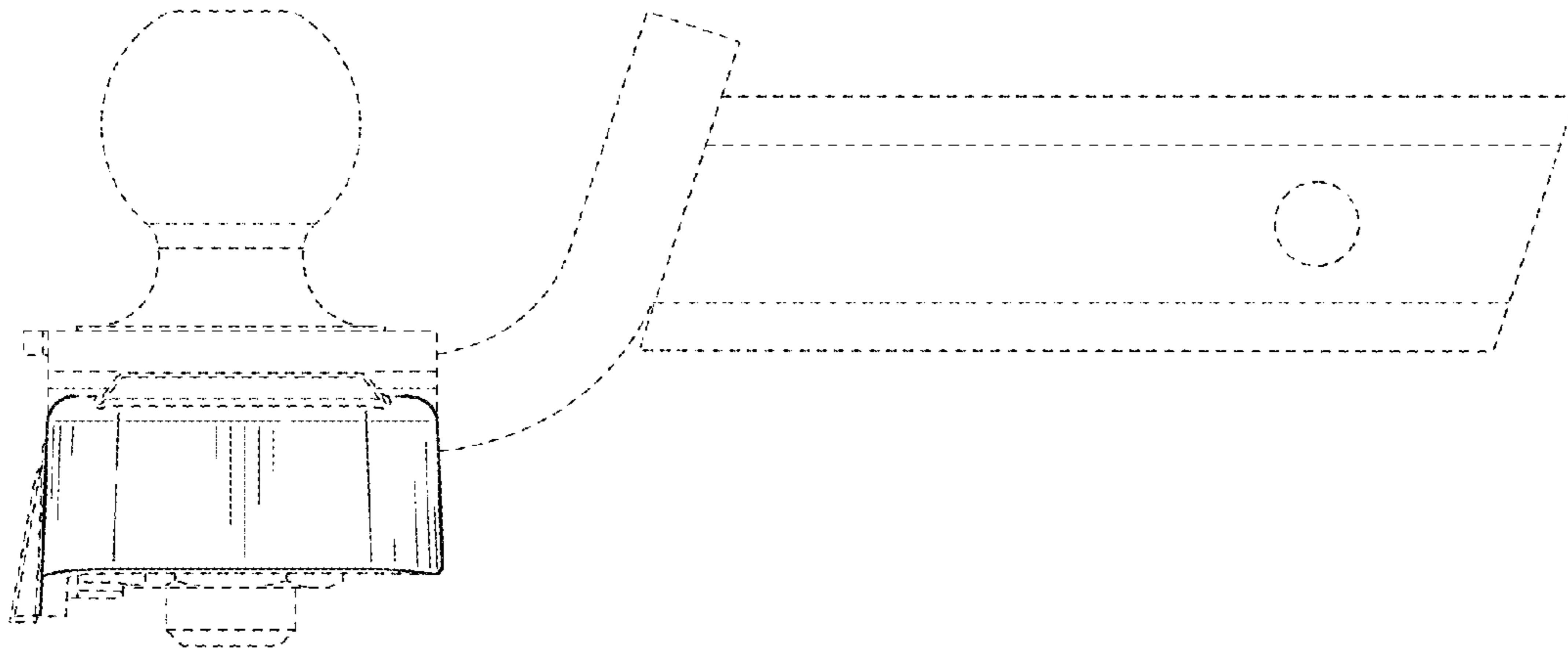


FIG. 4

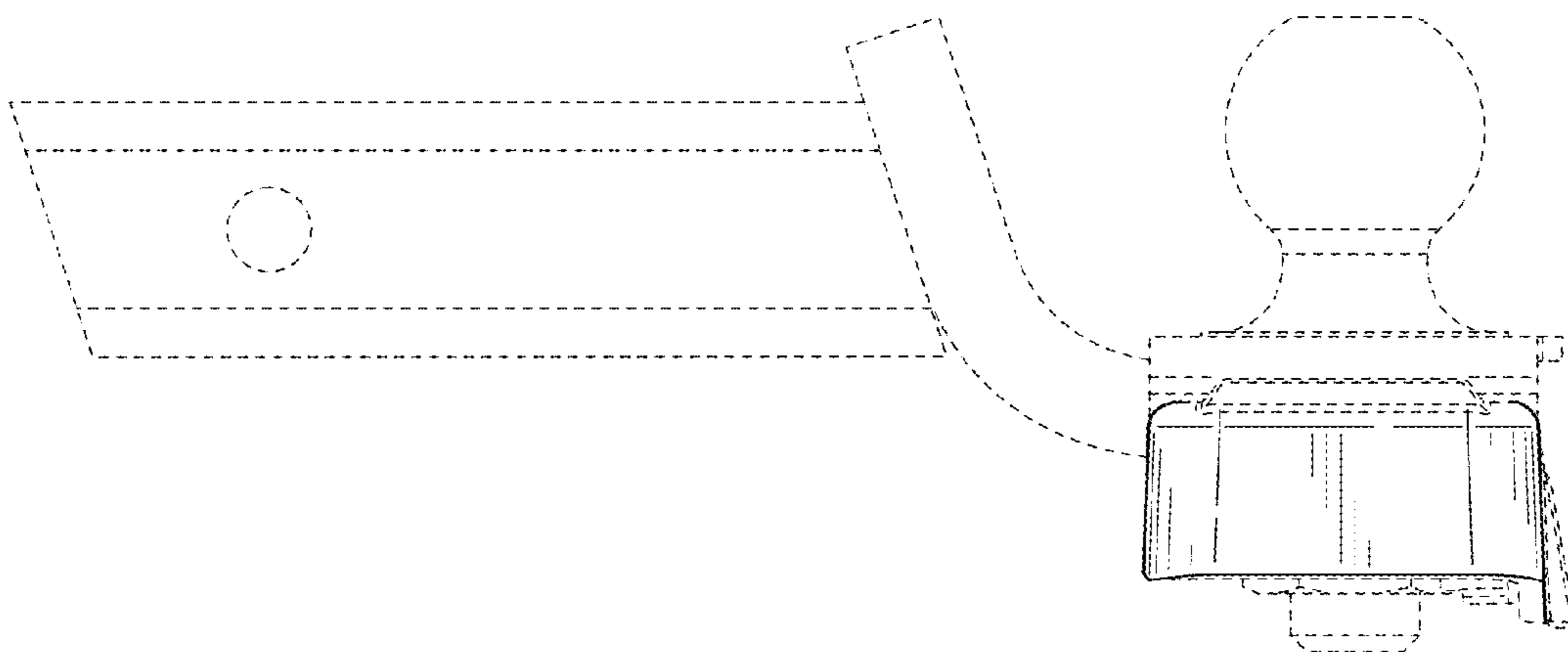


FIG. 5

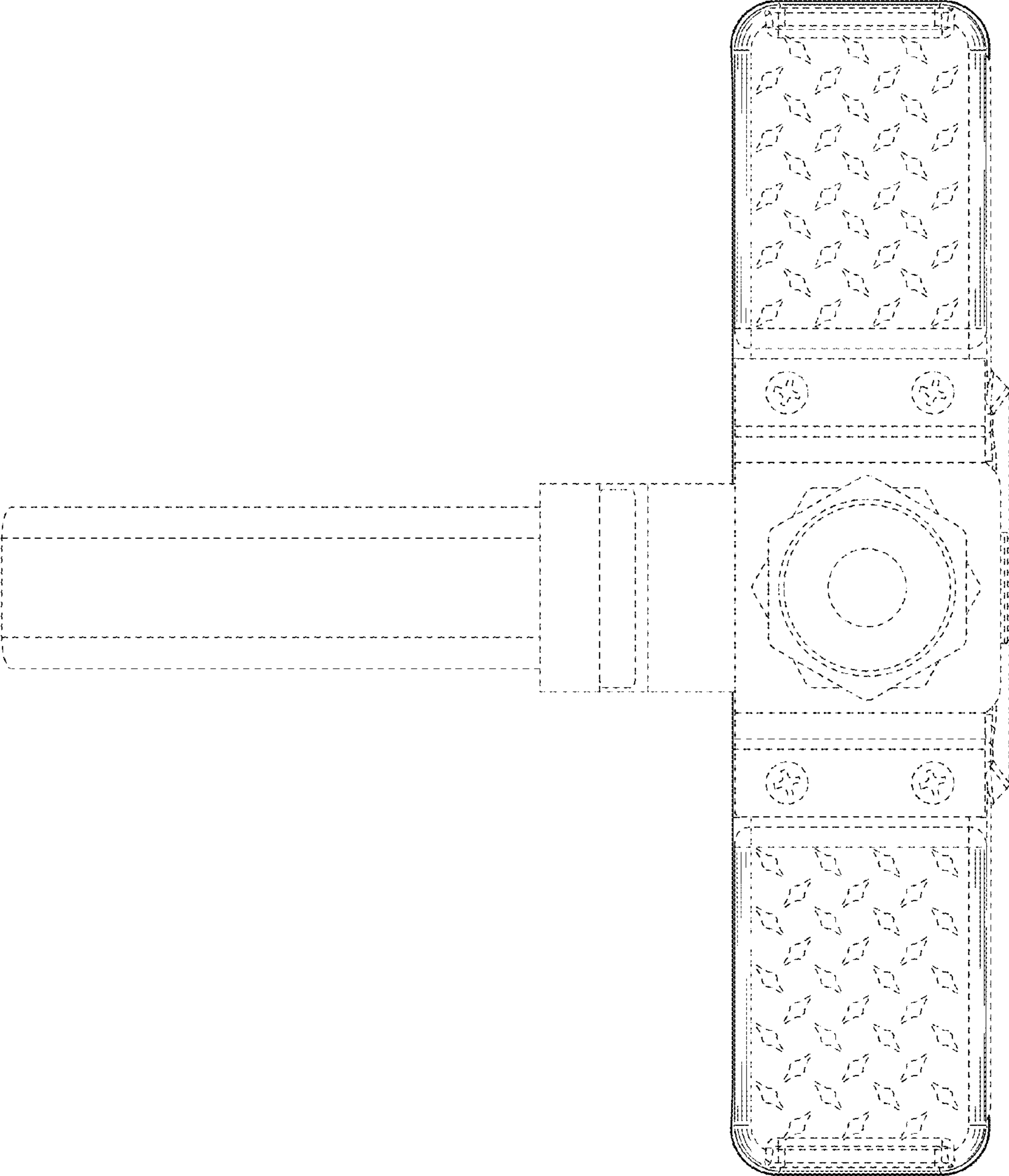


FIG. 6

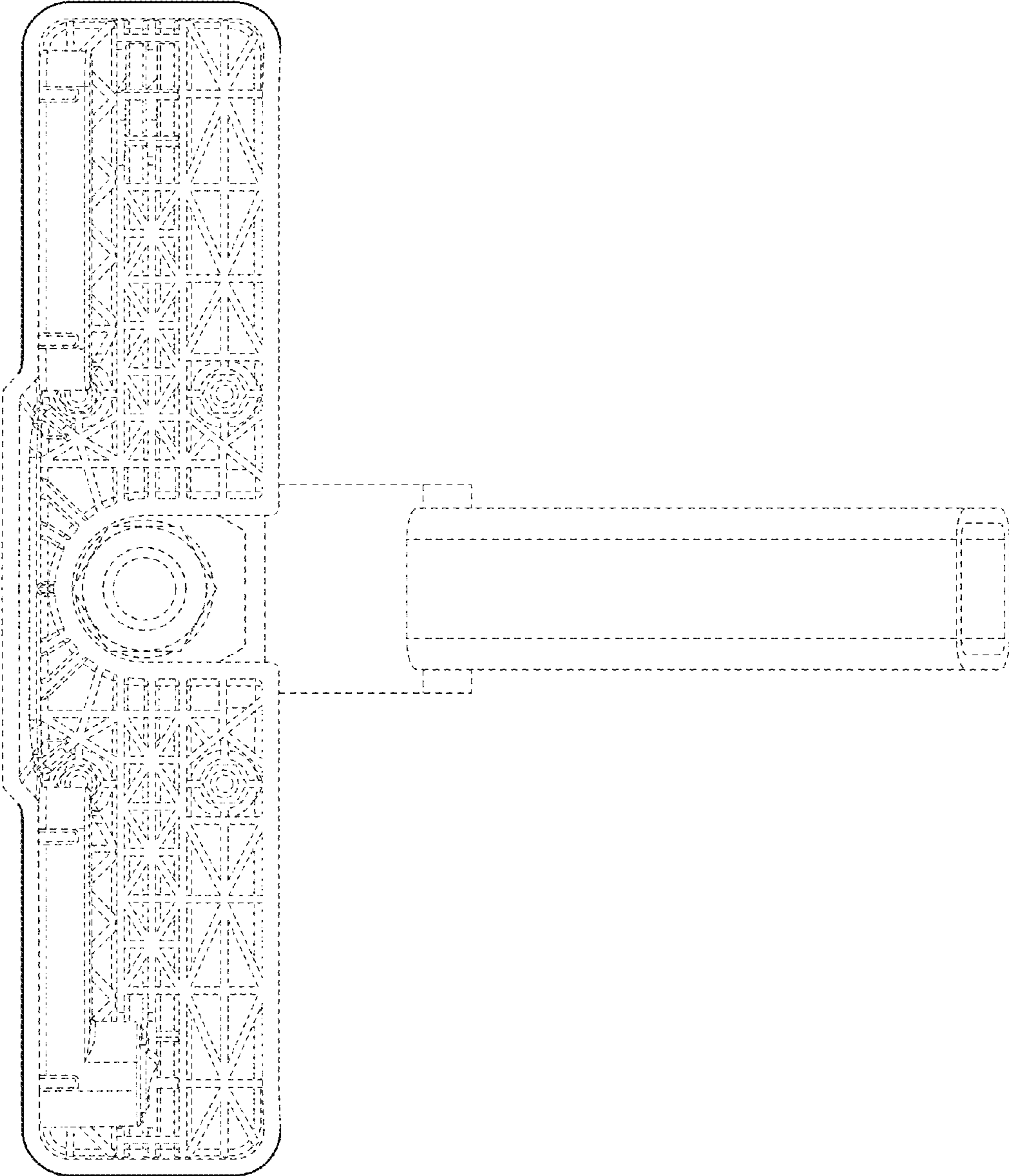


FIG. 7