



US00D723441S

(12) **United States Design Patent**  
**Schwencke et al.**

(10) **Patent No.:** **US D723,441 S**  
(45) **Date of Patent:** **\*\* Mar. 3, 2015**

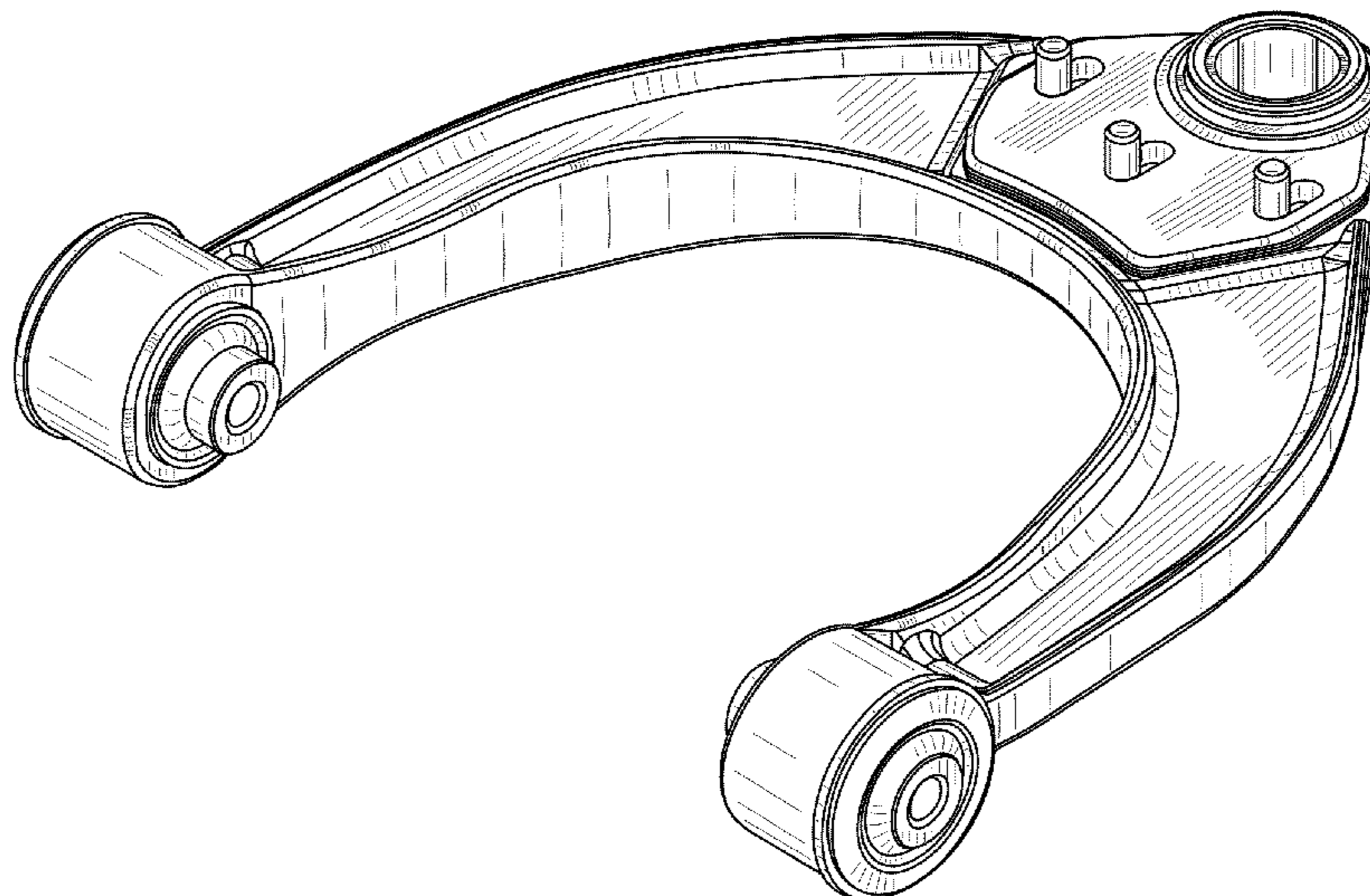
- (54) **AUTOMOBILE SUSPENSION COMPONENT**
- (71) Applicant: **Wulf Gaertner Autoparts AG**, Hamburg (DE)
- (72) Inventors: **Christoph Schwencke**, Hamburg (DE);  
**Alexander Jagow**, Hamburg (DE)
- (73) Assignee: **Wulf Gaertner Autoparts AG**, Hamburg (DE)
- (\*\*) Term: **14 Years**
- (21) Appl. No.: **29/470,637**
- (22) Filed: **Oct. 23, 2013**
- (51) **LOC (10) Cl.** ..... **12-16**
- (52) **U.S. Cl.**  
USPC ..... **D12/194**
- (58) **Field of Classification Search**  
CPC ..... F16F 1/02; F16F 1/36; F16F 7/003;  
F16F 7/01; F16F 7/02; F16F 7/08; F16F 7/10;  
F16F 7/12; F16F 7/14; B62D 1/02; B62D  
1/24; B62D 21/02; B62D 21/06; B62D 21/07;  
B62D 21/08; B62D 21/09; B62D 21/10;  
B62D 21/11; B62D 21/12; B62D 21/14;  
B62D 21/15; B62D 21/16; B62D 21/17;  
B62D 21/18; B62D 27/02; B62D 27/04;  
B62D 27/06  
USPC ..... 280/124.155, 124.147, 124.145,  
280/124.146, 86.752, 11.225; 188/281,  
188/298, 297, 315, 316, 274, 286; 267/195,  
267/136, 64.15, 217; 464/173; D12/118,  
D12/400, 161, 159, 160; 293/134  
See application file for complete search history.

- (56) **References Cited**  
U.S. PATENT DOCUMENTS  
3,999,779 A \* 12/1976 Bishop ..... 280/5.521  
5,657,882 A \* 8/1997 Johnson ..... 211/68  
D385,835 S \* 11/1997 Webster ..... D12/159  
5,894,769 A \* 4/1999 Rogers et al. .... 81/484  
6,000,706 A \* 12/1999 Boberg et al. .... 280/124.135  
(Continued)  
*Primary Examiner* — Michael A Pratt  
(74) *Attorney, Agent, or Firm* — Drinker Biddle & Reath LLP

(57) **CLAIM**  
The ornamental design for an automobile suspension component, as shown and described.

**DESCRIPTION**  
FIG. 1 is a front perspective view of a two part automobile suspension component showing an embodiment of our new design;  
FIG. 2 is a front perspective view of the first part thereof;  
FIG. 3 is a right elevation view of the first part thereof;  
FIG. 4 is a left elevation view of the first part thereof;  
FIG. 5 is a front elevation view of the first part thereof;  
FIG. 6 is a rear elevation view of the first part thereof;  
FIG. 7 is a top plan view of the first part thereof;  
FIG. 8 is a bottom plan view of the first part thereof;  
FIG. 9 is a front perspective view of the second part thereof;  
FIG. 10 is a right elevation view of the second part thereof;  
FIG. 11 is a left elevation view of the second part thereof;  
FIG. 12 is a front elevation view of the second part thereof;  
FIG. 13 is a rear elevation view of the second part thereof;  
FIG. 14 is a top plan view of the second part thereof; and,  
FIG. 15 is a bottom plan view of the second part thereof.

**1 Claim, 8 Drawing Sheets**



(56)

**References Cited**

U.S. PATENT DOCUMENTS

6,095,017	A *	8/2000	Long	81/176.15	7,111,849	B2 *	9/2006	Yun	280/5.52
6,283,483	B1 *	9/2001	Johnson et al.	280/86.758	7,210,692	B2 *	5/2007	Galazin	280/86.75
6,446,991	B1 *	9/2002	Klais	280/86.75	7,568,711	B2 *	8/2009	Houser et al.	280/86.756
D475,001	S *	5/2003	Roll	D12/159	7,771,126	B2 *	8/2010	Faass et al.	384/535
6,763,746	B2 *	7/2004	Bayer et al.	81/484	8,136,428	B2 *	3/2012	Engelbrecht	81/125
					8,398,092	B2 *	3/2013	Lee et al.	280/5.507
					2008/0201890	A1 *	8/2008	Boos	15/250.31

\* cited by examiner

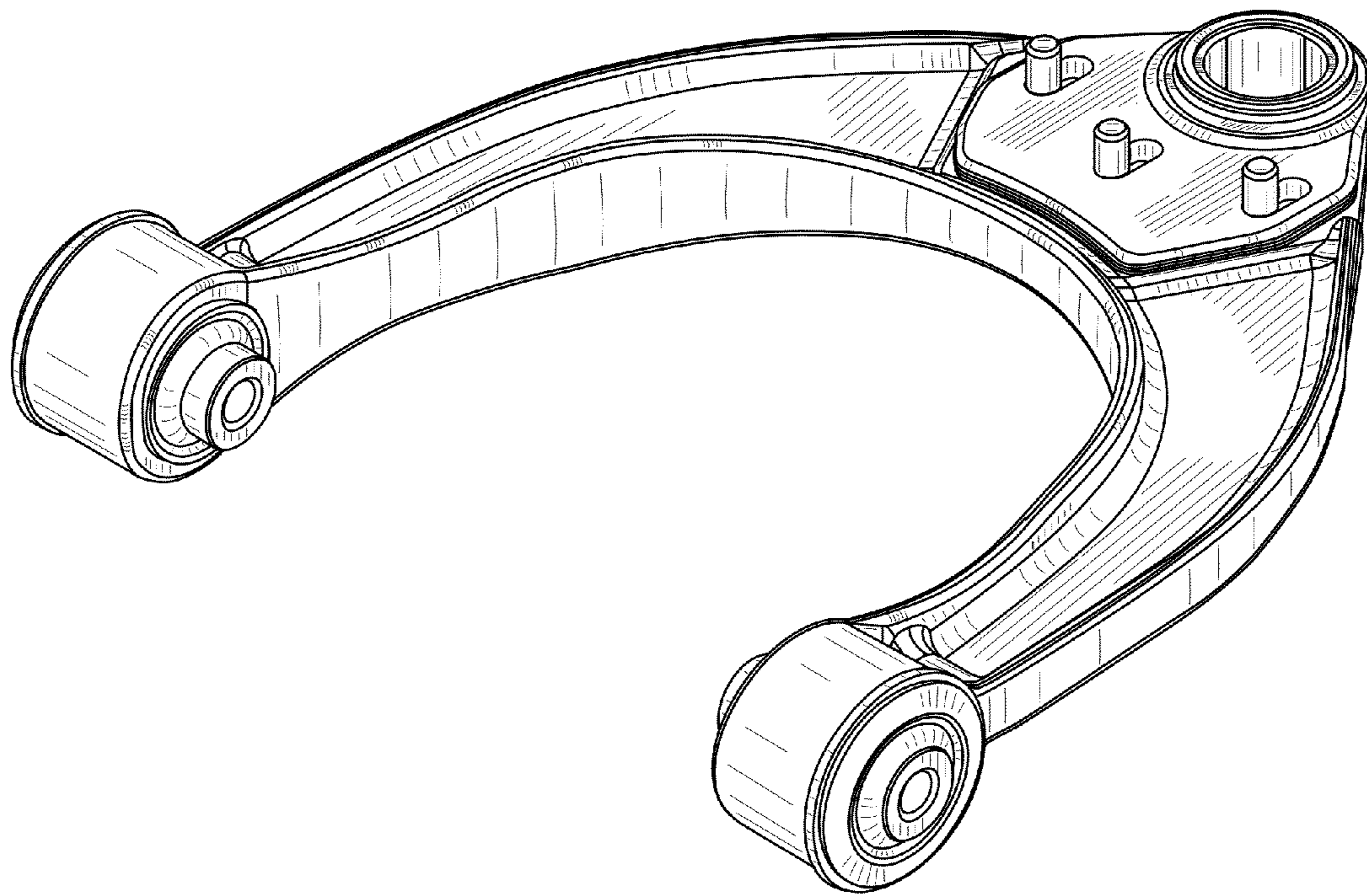


FIG. 1

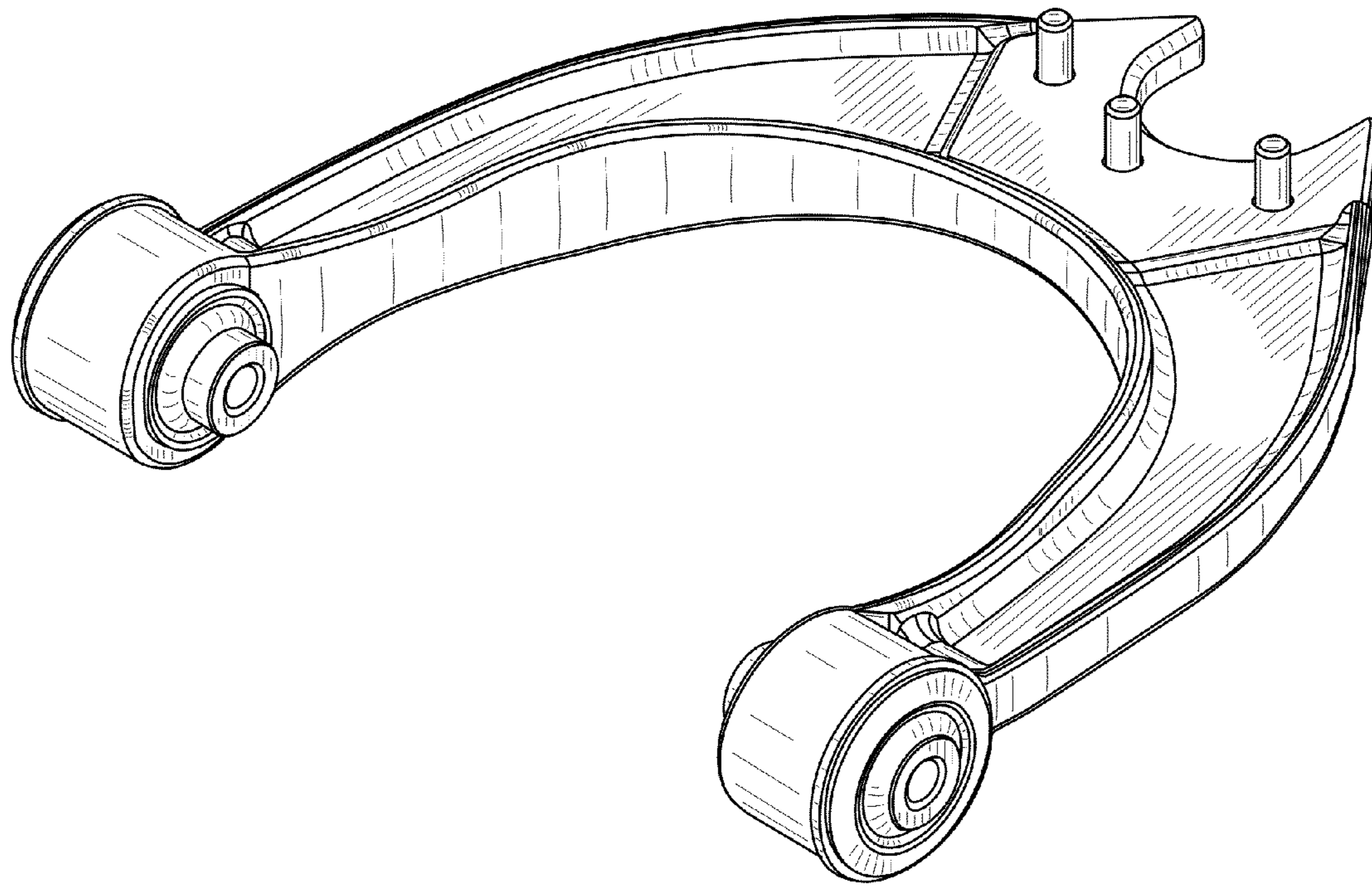


FIG. 2

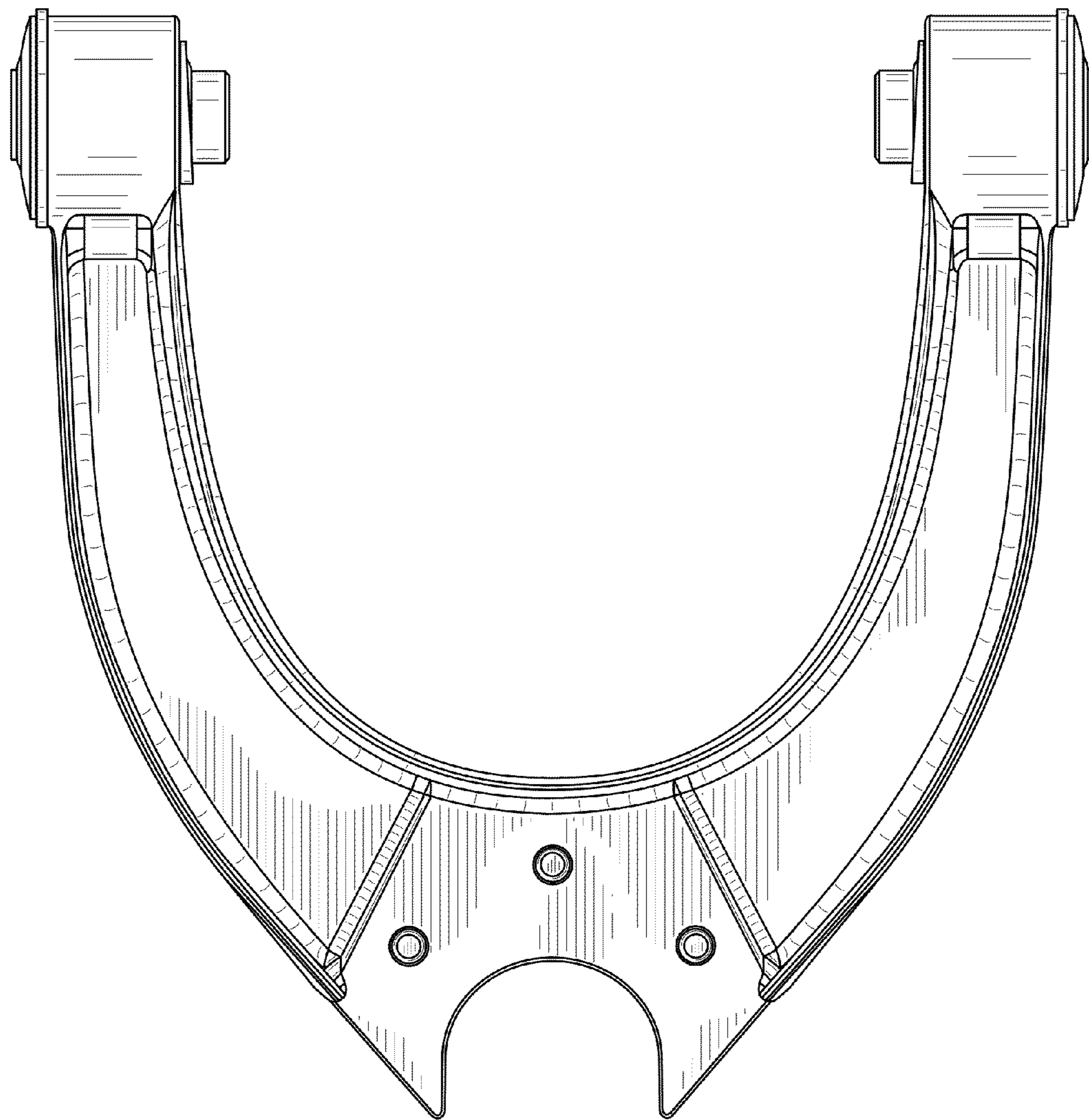


FIG. 3

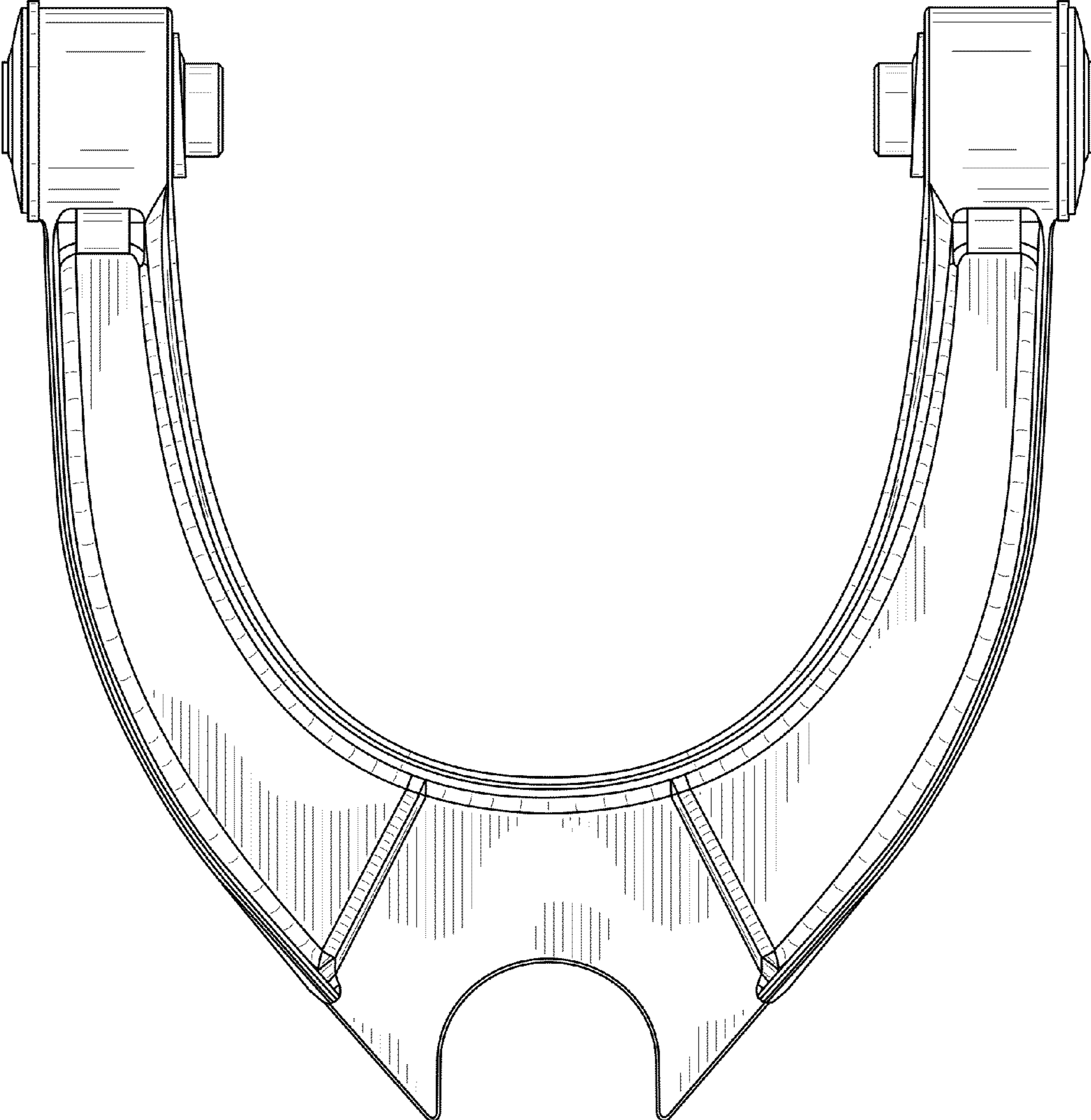


FIG. 4

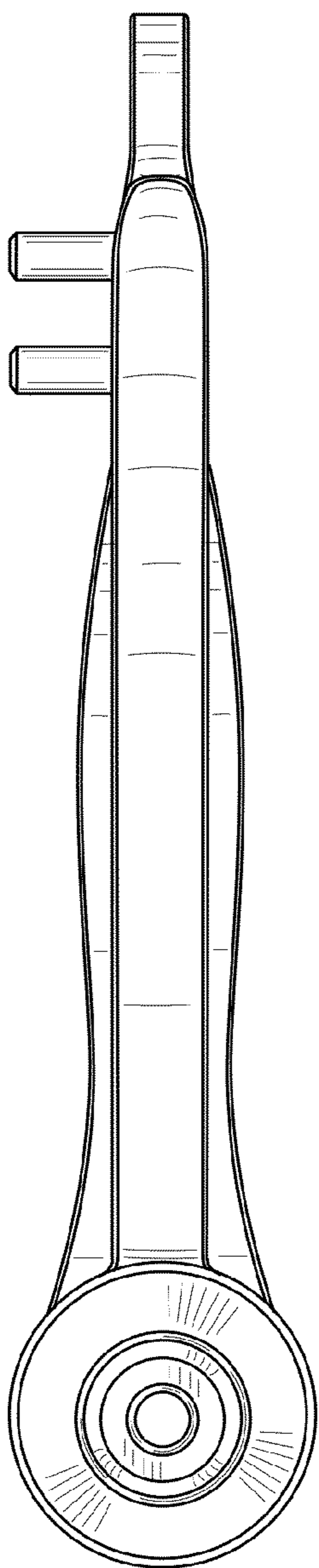


FIG. 5

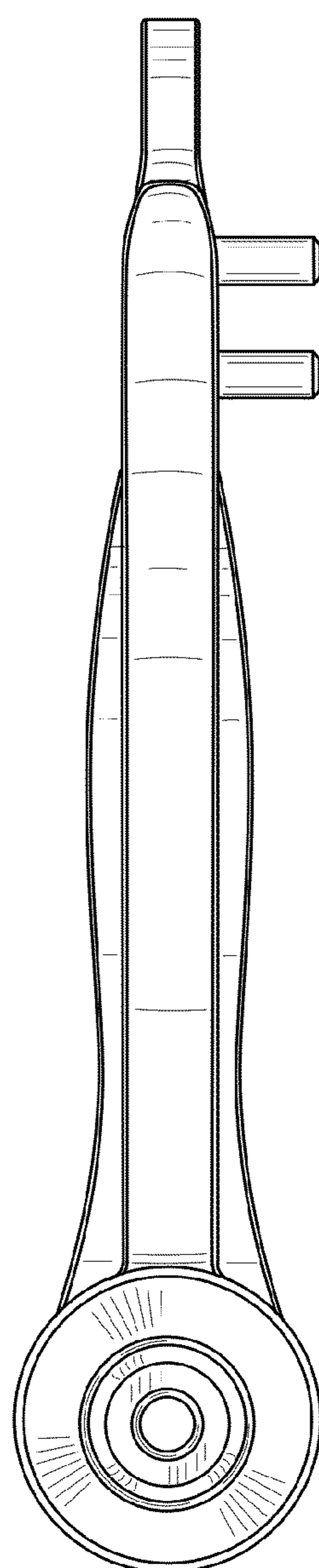


FIG. 6

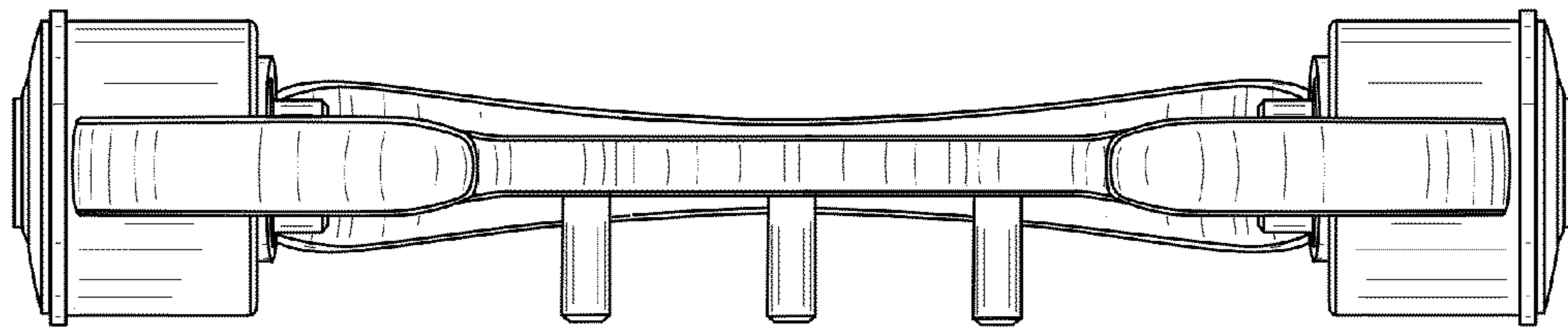


FIG. 7

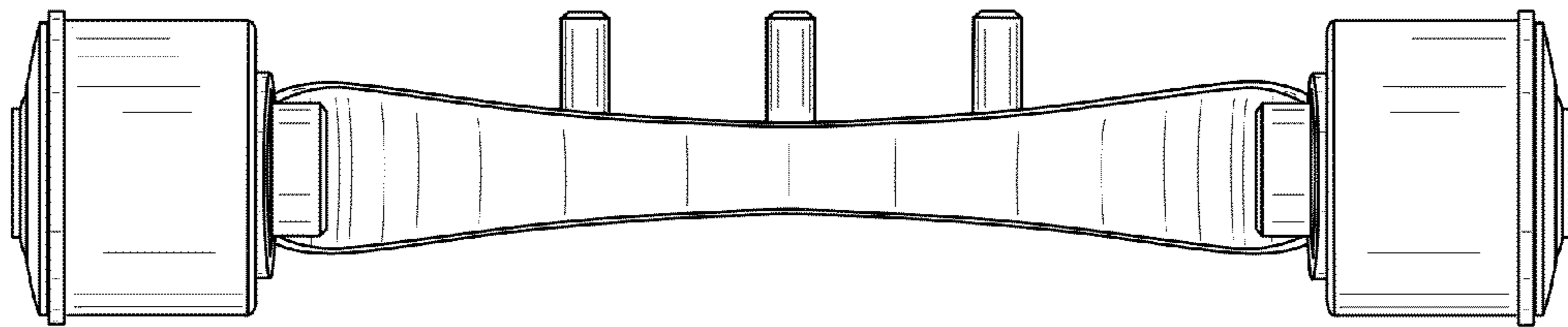


FIG. 8



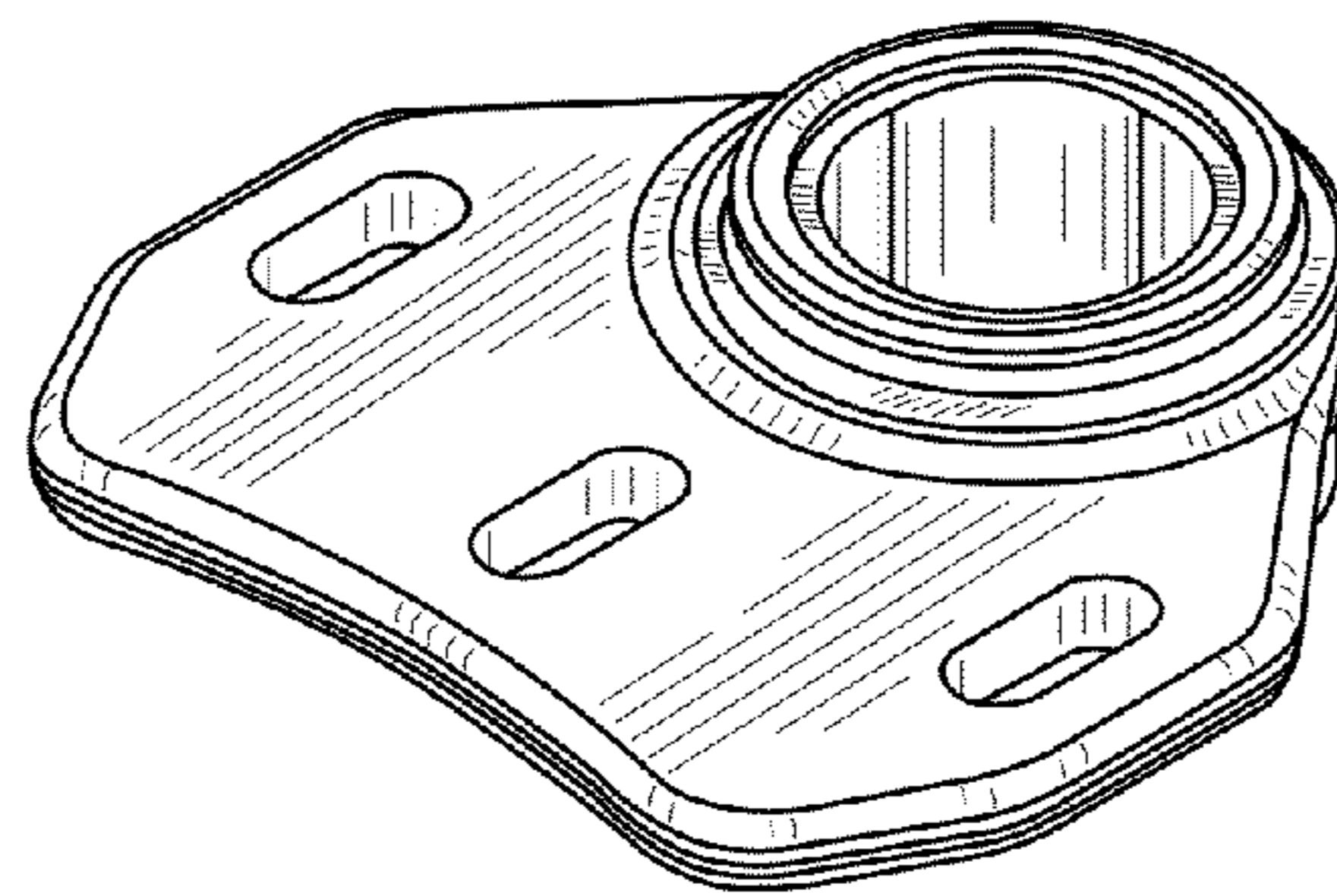


FIG. 9

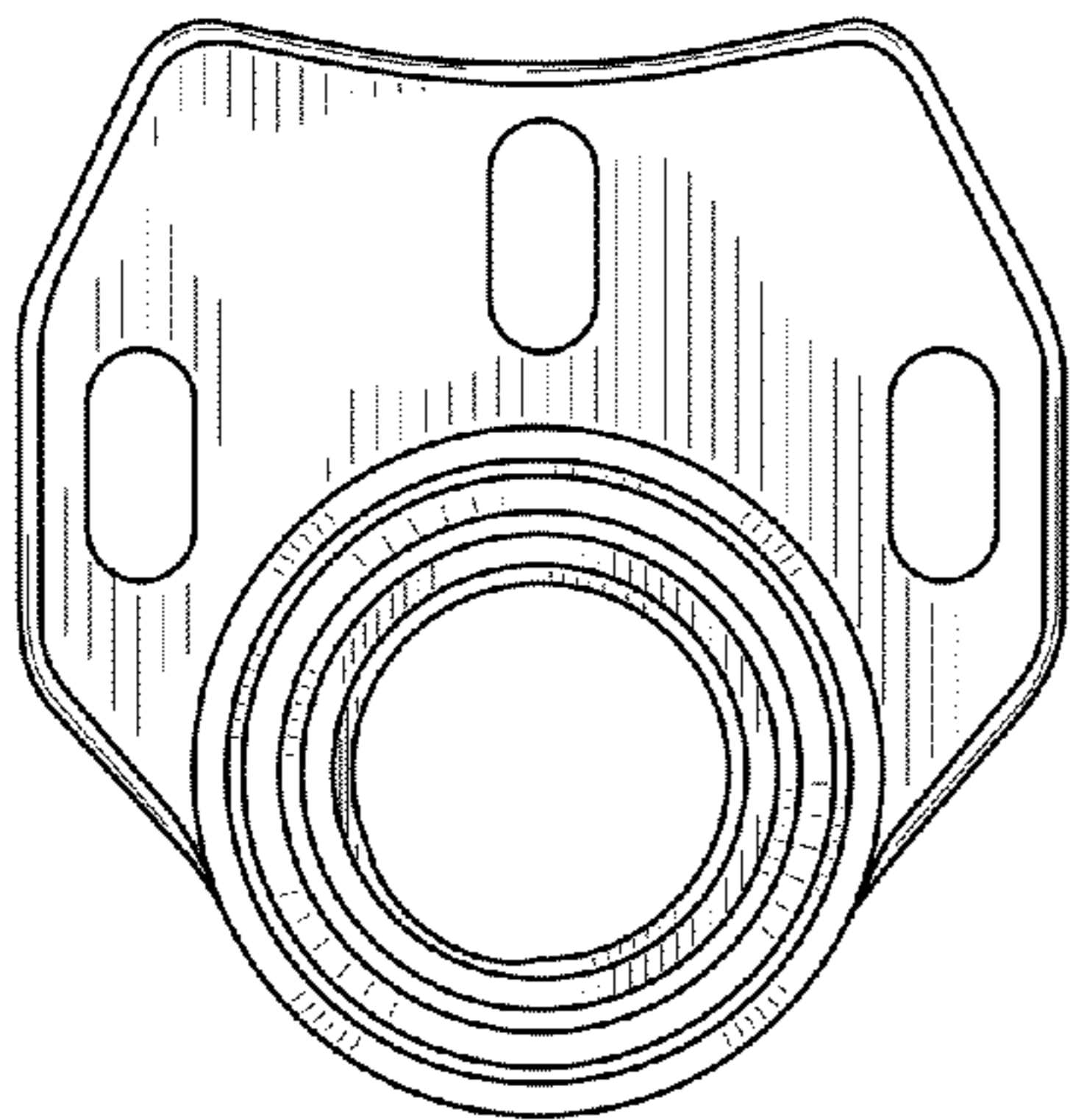


FIG. 10

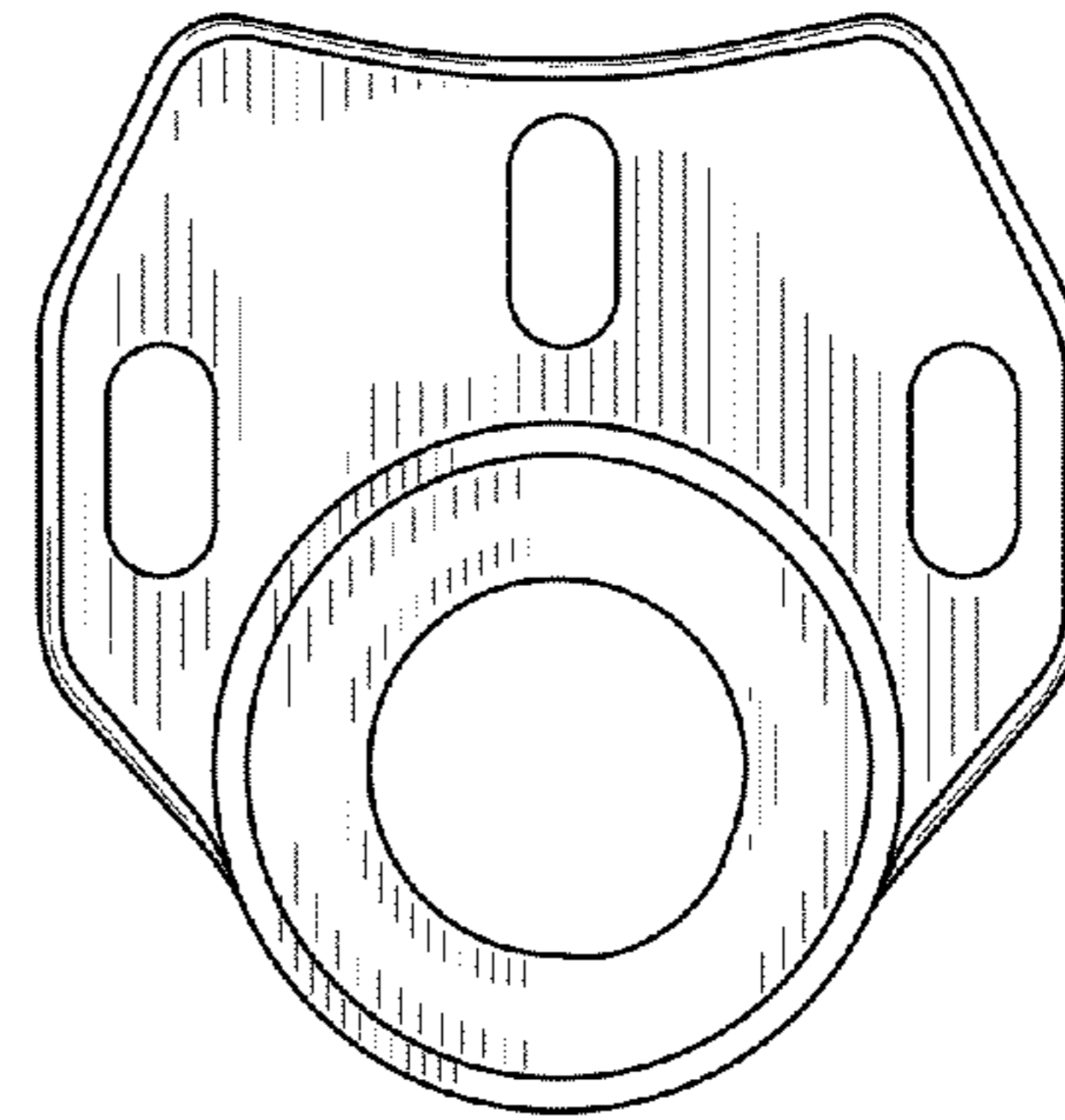


FIG. 11

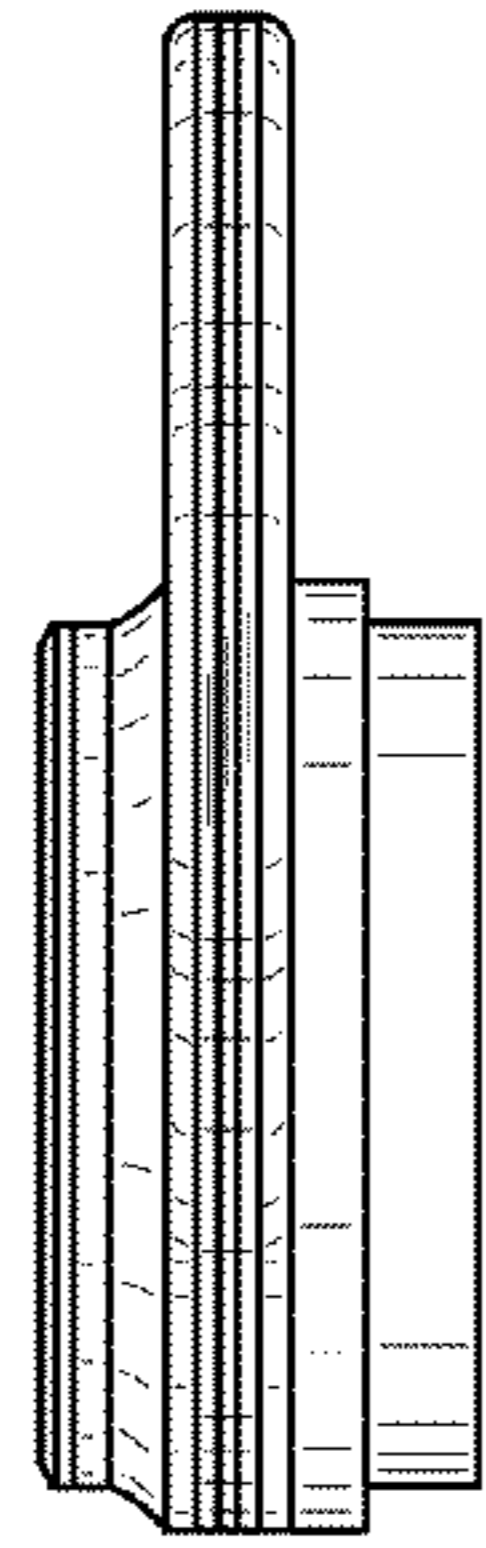


FIG. 12

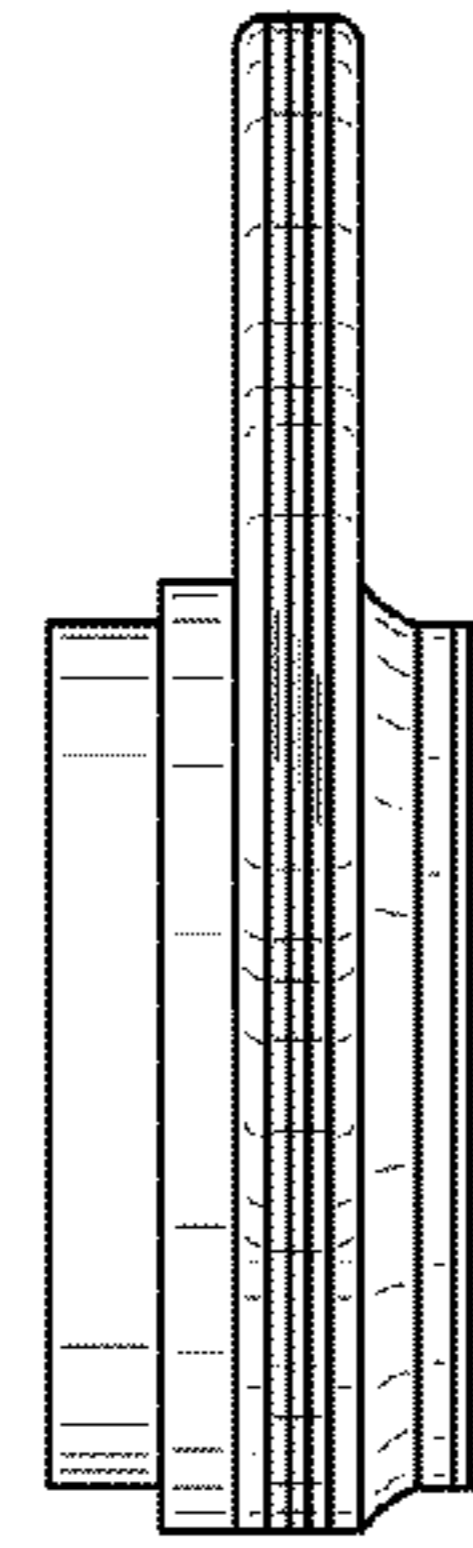


FIG. 13

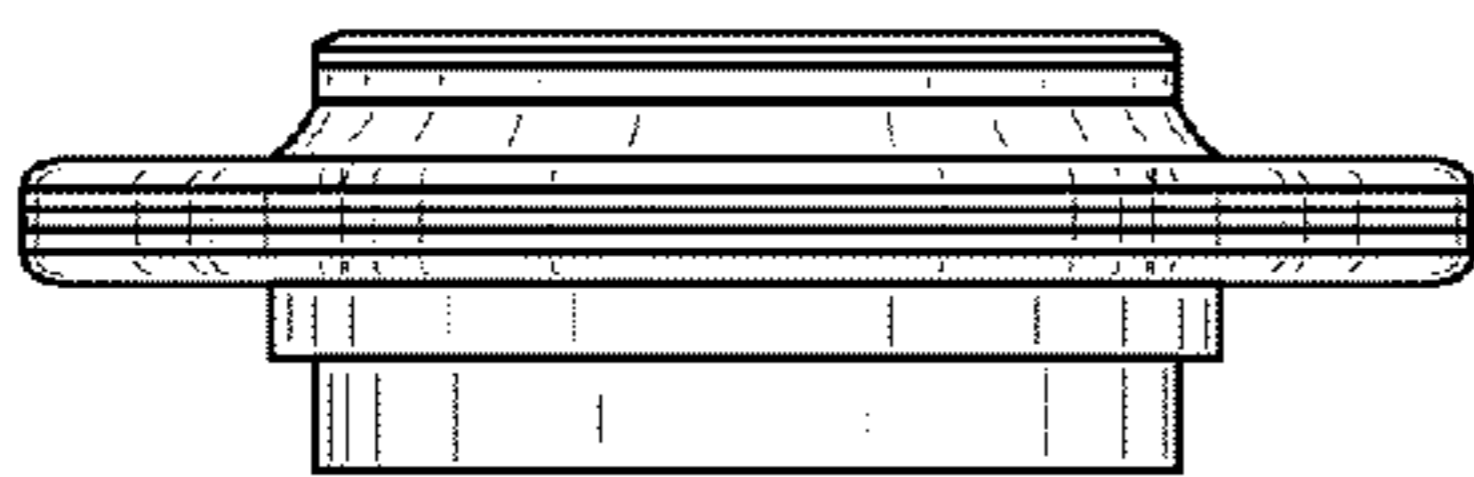


FIG. 14

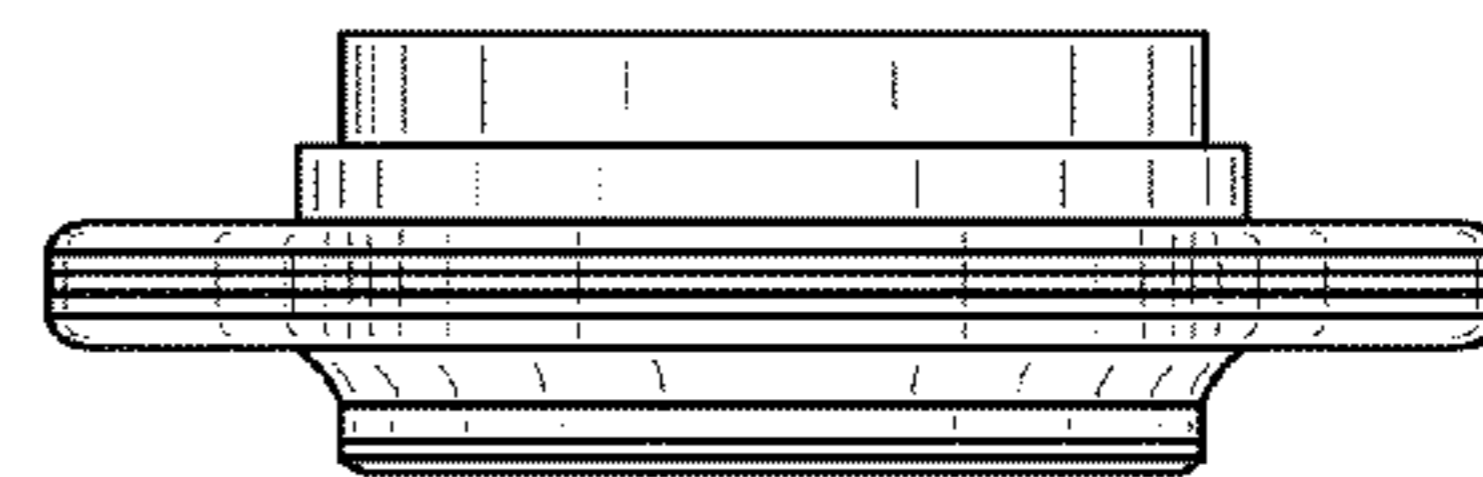


FIG. 15