



US00D723440S

(12) **United States Design Patent**
Spencer et al.

(10) **Patent No.:** **US D723,440 S**
(45) **Date of Patent:** **** Mar. 3, 2015**

- (54) **LICENSE PLATE FRAME**
- (71) Applicant: **Cruiser Accessories, LLC**, Monument, CO (US)
- (72) Inventors: **Todd Spencer**, Monument, CO (US); **Eldon Goates**, Colorado Springs, CO (US); **Bret Zelenka**, Monument, CO (US); **Michael J. Schwartz**, Colorado Springs, CO (US)
- (73) Assignee: **Cruiser Accessories, LLC**, Monument, CO (US)
- (**) Term: **14 Years**
- (21) Appl. No.: **29/493,936**
- (22) Filed: **Jun. 16, 2014**
- (51) **LOC (10) Cl.** **12-16**
- (52) **U.S. Cl.**
USPC **D12/193**
- (58) **Field of Classification Search**
USPC D12/193; D6/300, 301, 302, 304, 310, D6/311, 312, 313, 314; D20/13; 40/200, 40/201, 202, 203, 204, 207-214; 348/148, 348/373; D11/134
See application file for complete search history.

- D633,020 S * 2/2011 Ziegler et al. D12/193
- D655,655 S * 3/2012 Cudzik D12/193
- 8,291,627 B1 * 10/2012 Spencer et al. 40/209

(Continued)

OTHER PUBLICATIONS

Cruiser Accessories 19783 Black Chrome/Chrome Fishing License Plate Frame, Cruiser Accessories. (Aug. 2014), [online], [site visited Dec. 3, 2014]. Available from internet, <URL: Retrieved from <http://www.amazon.com/Cruiser-Accessories-19783-Fishing-License/dp/B00MP1HHGW#productDetails>>.*

Primary Examiner — Jeffrey D Asch

Assistant Examiner — Natasha Vujcic

(74) *Attorney, Agent, or Firm* — Linda Flewellen Gould

(57) **CLAIM**

The ornamental design for a license plate frame, as shown and described.

DESCRIPTION

FIG. 1 is a perspective front view showing our new design for a license plate frame.

FIG. 2 is a magnified view of a portion of the license plate frame shown in FIG. 1.

FIG. 3 is a front view of the license plate frame of the present invention.

FIG. 4 is a back view of the license plate frame of the present invention.

FIG. 5 is a right side view of the license plate frame of the present invention.

FIG. 6 is a top view of the license plate frame of the present invention.

FIG. 7 is a front view showing a second embodiment of our design for a license plate frame, with the only difference compared to the first embodiment being an emblem on the bottom bar of the frame shifted downward from the position of that emblem in the design shown in FIG. 1; and,

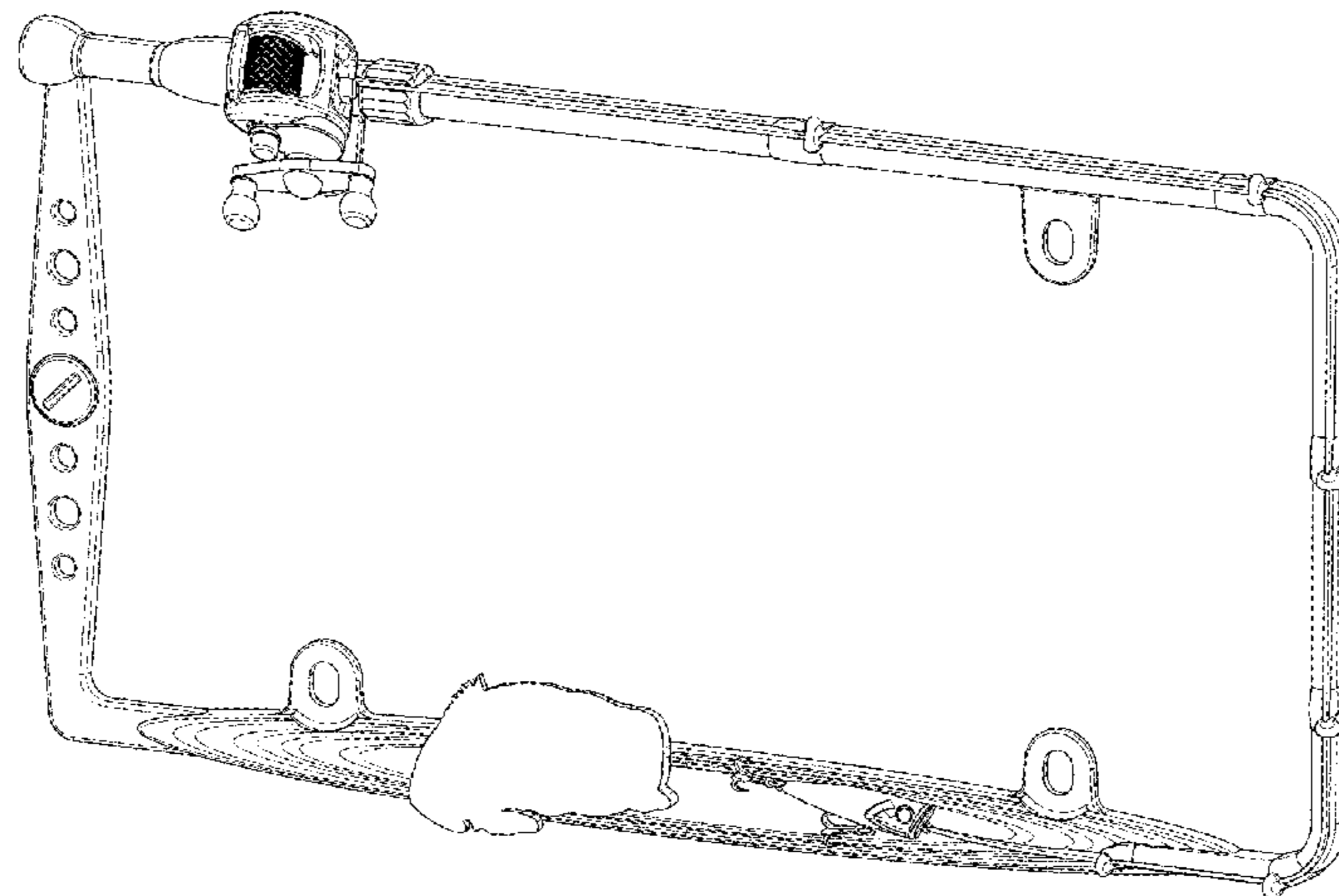
FIG. 8 is a back view of the license plate frame shown in FIG. 7.

1 Claim, 4 Drawing Sheets

(56) **References Cited**

U.S. PATENT DOCUMENTS

- D170,515 S * 9/1953 White D11/134
- D253,622 S * 12/1979 Van Brouwer D11/233
- D268,654 S * 4/1983 Allgood, II D11/134
- D365,077 S * 12/1995 Lee D12/193
- D366,236 S * 1/1996 Chu D12/193
- D424,003 S * 5/2000 Steinhagen D12/193
- D428,843 S * 8/2000 Steinhagen D12/193
- D531,558 S * 11/2006 Peng D12/193
- D546,667 S * 7/2007 Sexton, Jr. D9/415
- D566,025 S * 4/2008 Hu D12/193
- D576,531 S * 9/2008 Block et al. D12/193
- D593,917 S * 6/2009 Spencer et al. D12/193
- D623,106 S * 9/2010 Hu D12/193



US D723,440 S

Page 2

(56)

References Cited

U.S. PATENT DOCUMENTS

D689,806 S *	9/2013	Spencer et al.	D12/193
D700,553 S *	3/2014	Spencer et al.	D12/193
D705,712 S *	5/2014	Spencer et al.	D12/193

D689,804 S * 9/2013 Spencer et al. D12/193 * cited by examiner

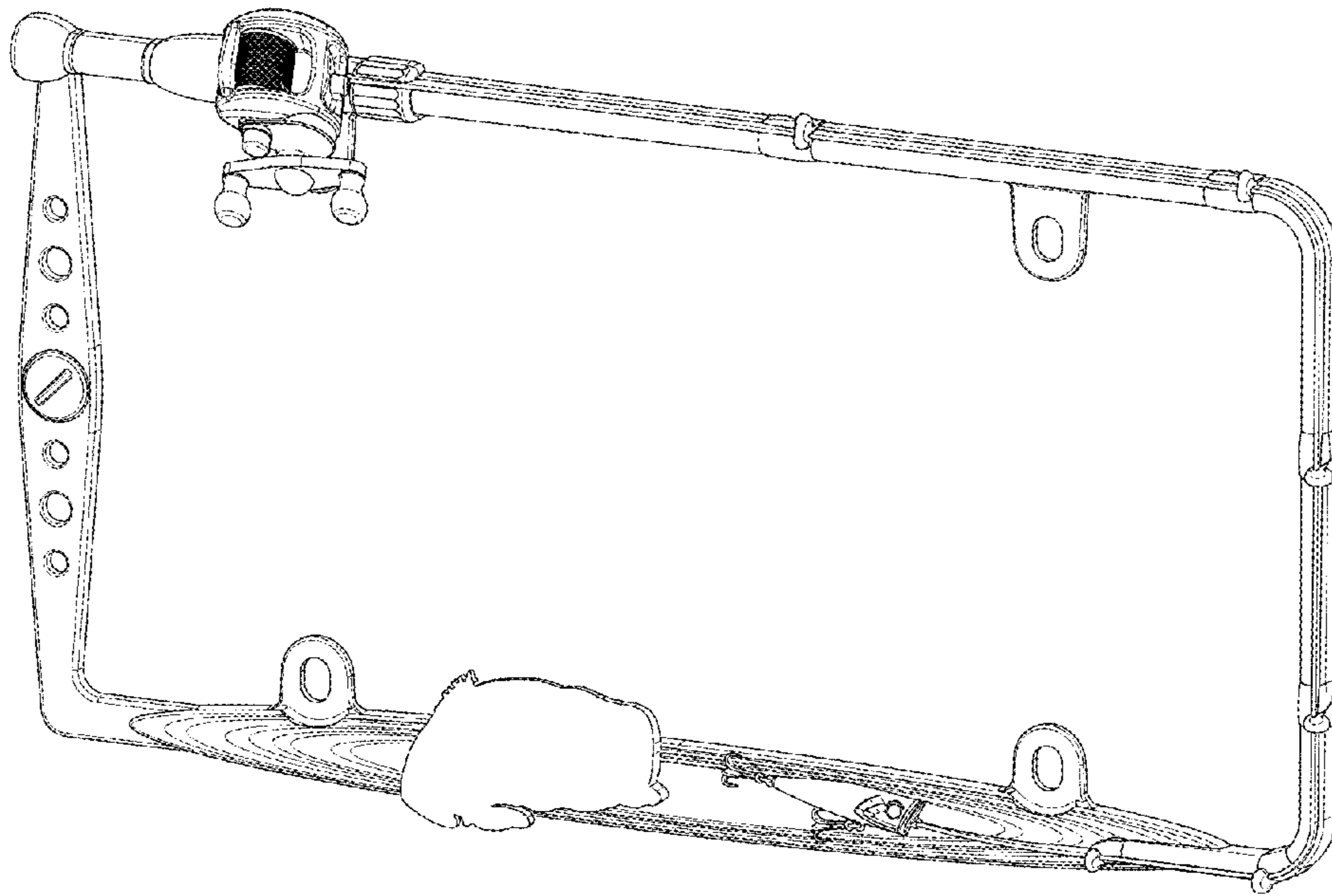


Figure 1

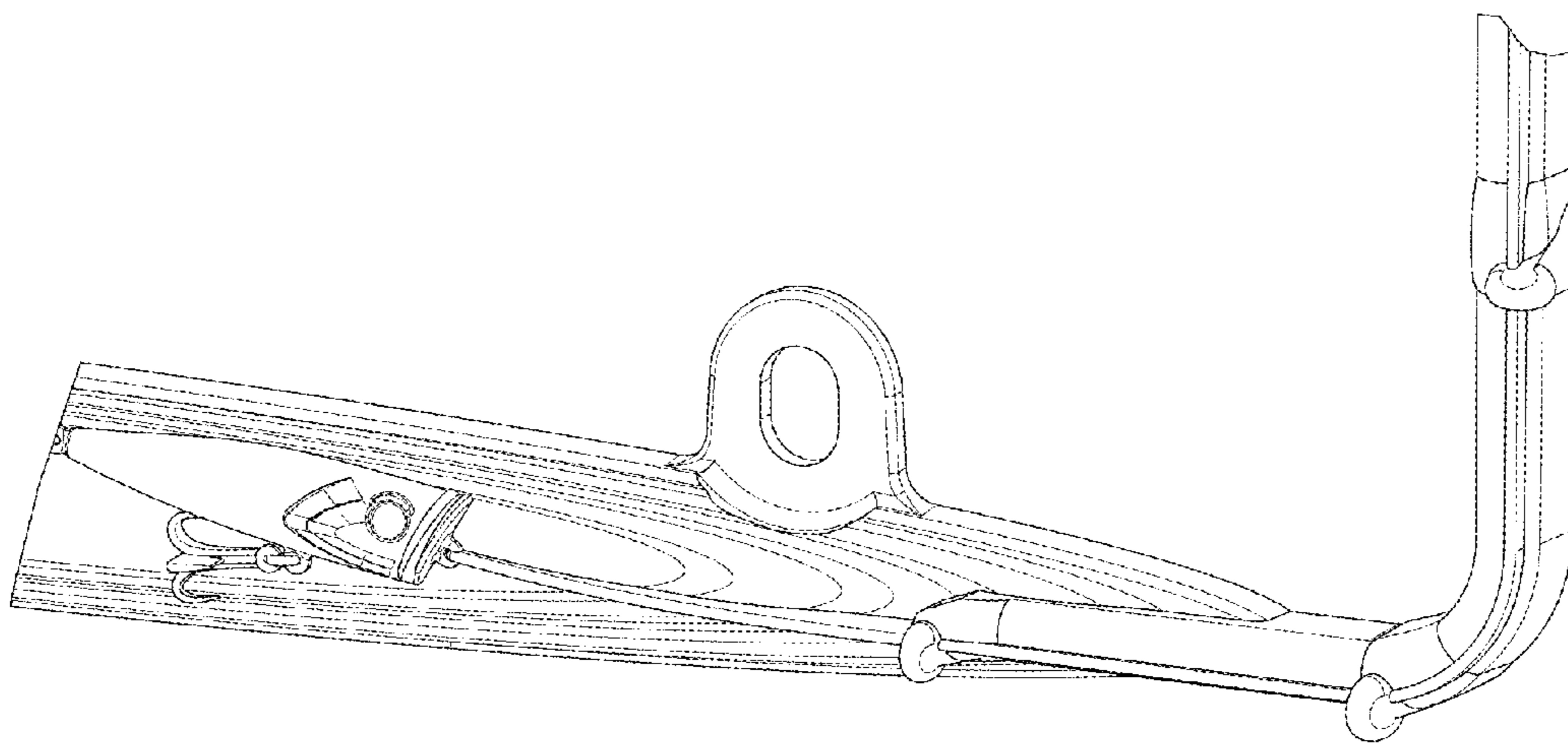


Figure 2

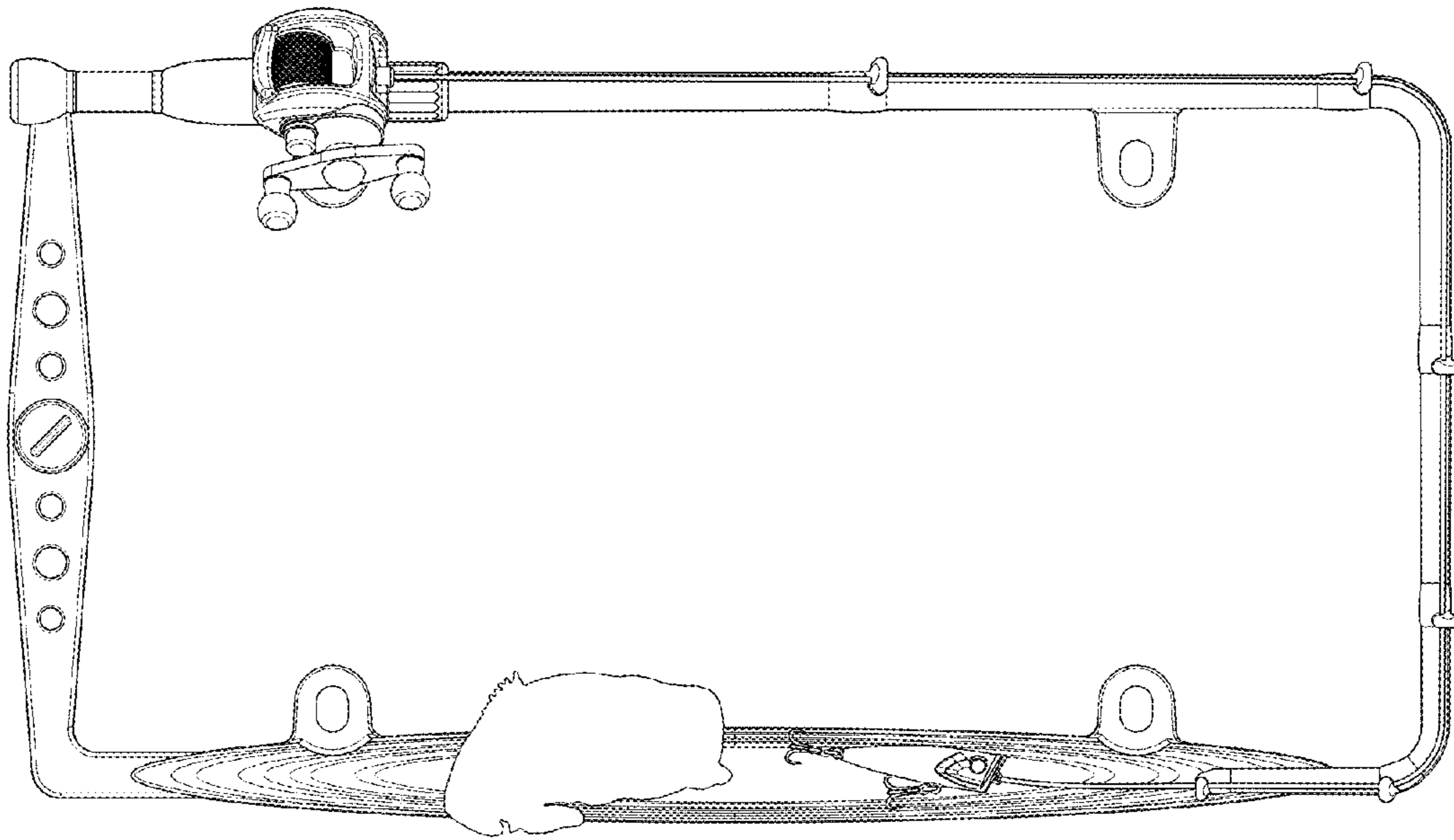


Figure 3

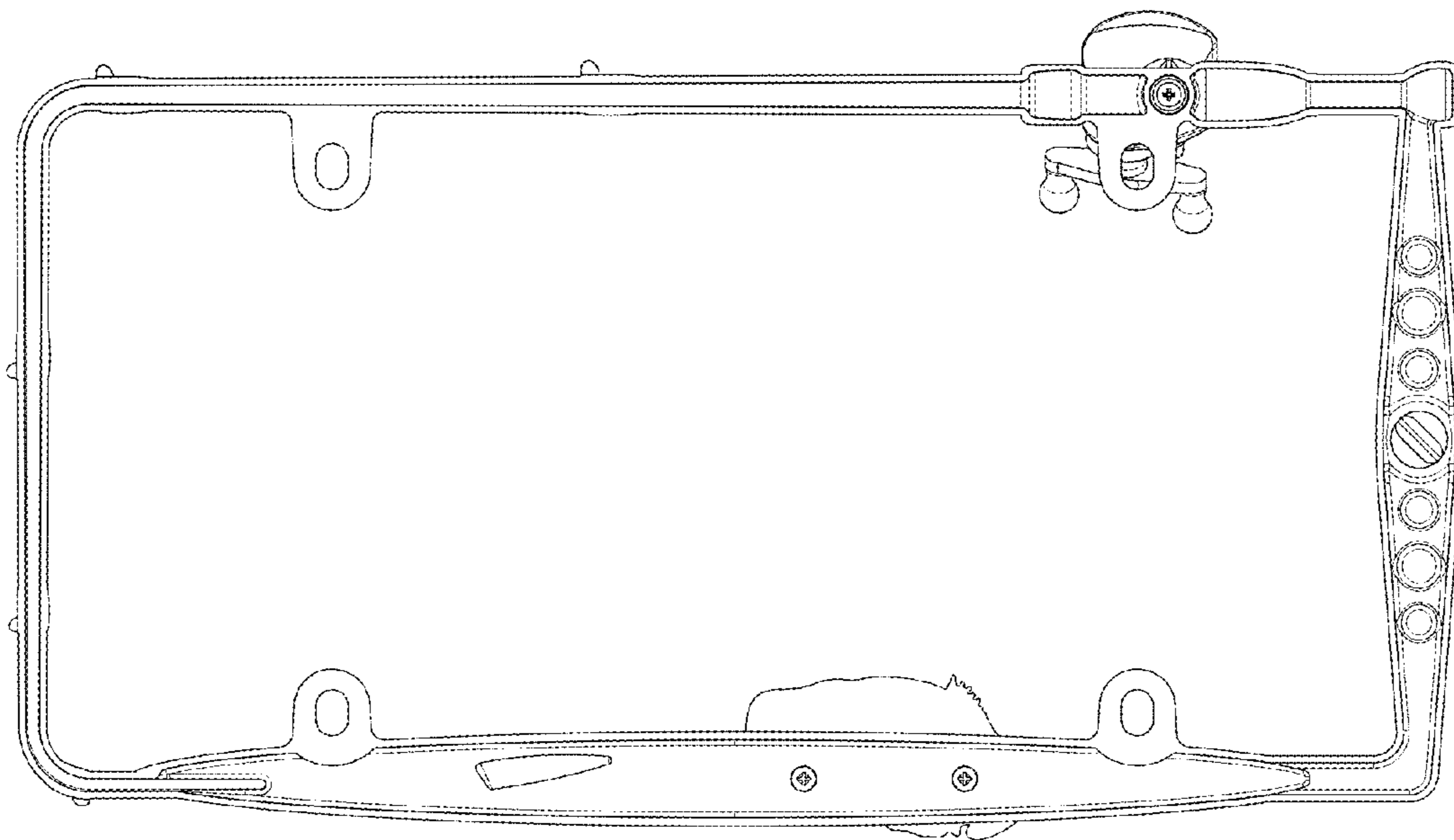


Figure 4

Figure 5

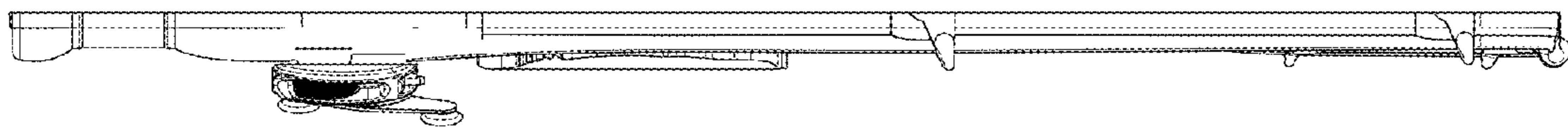
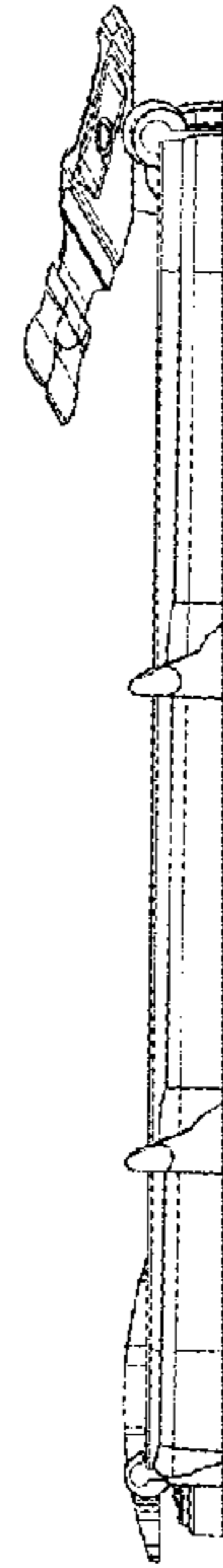


Figure 6

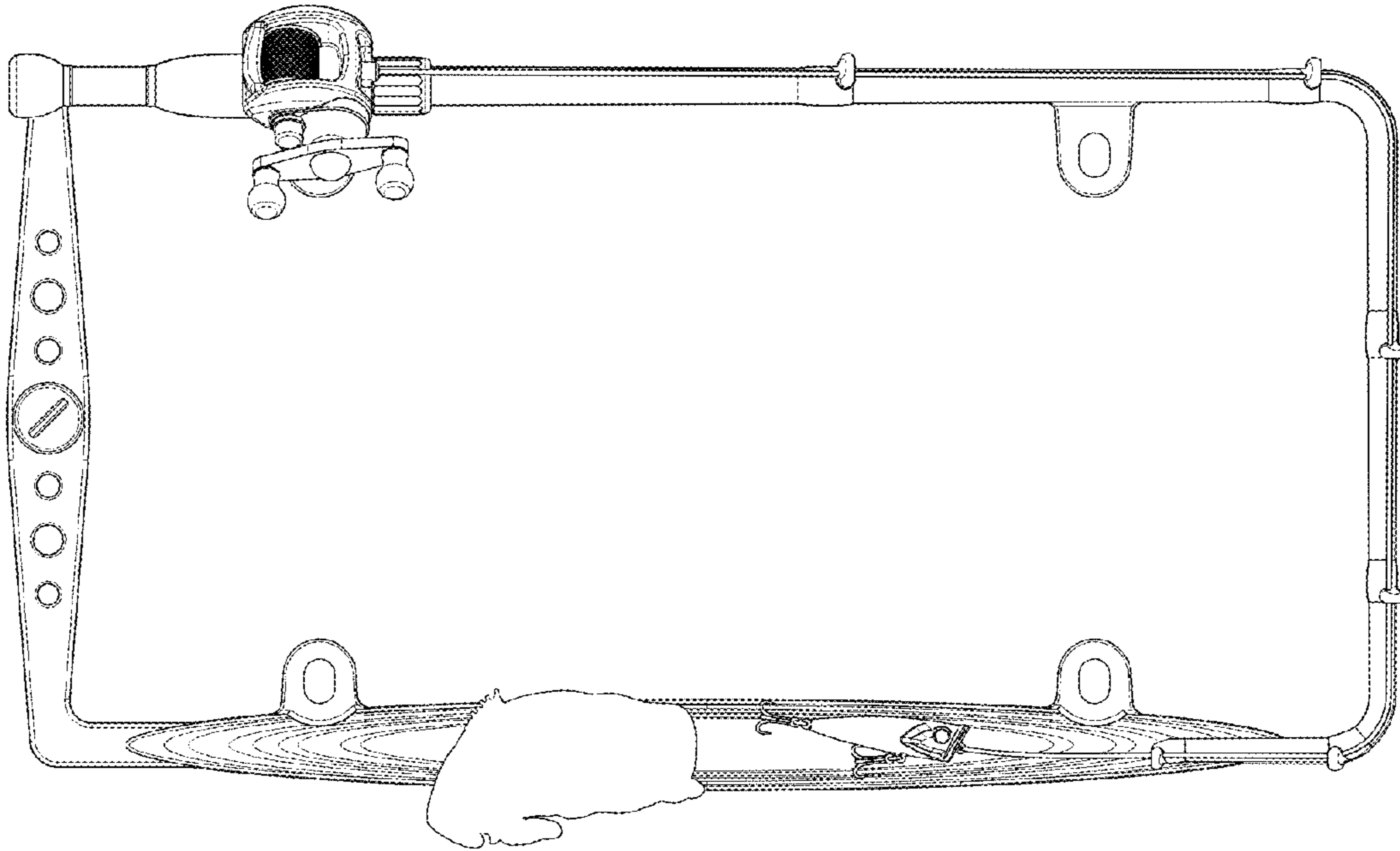


Figure 7

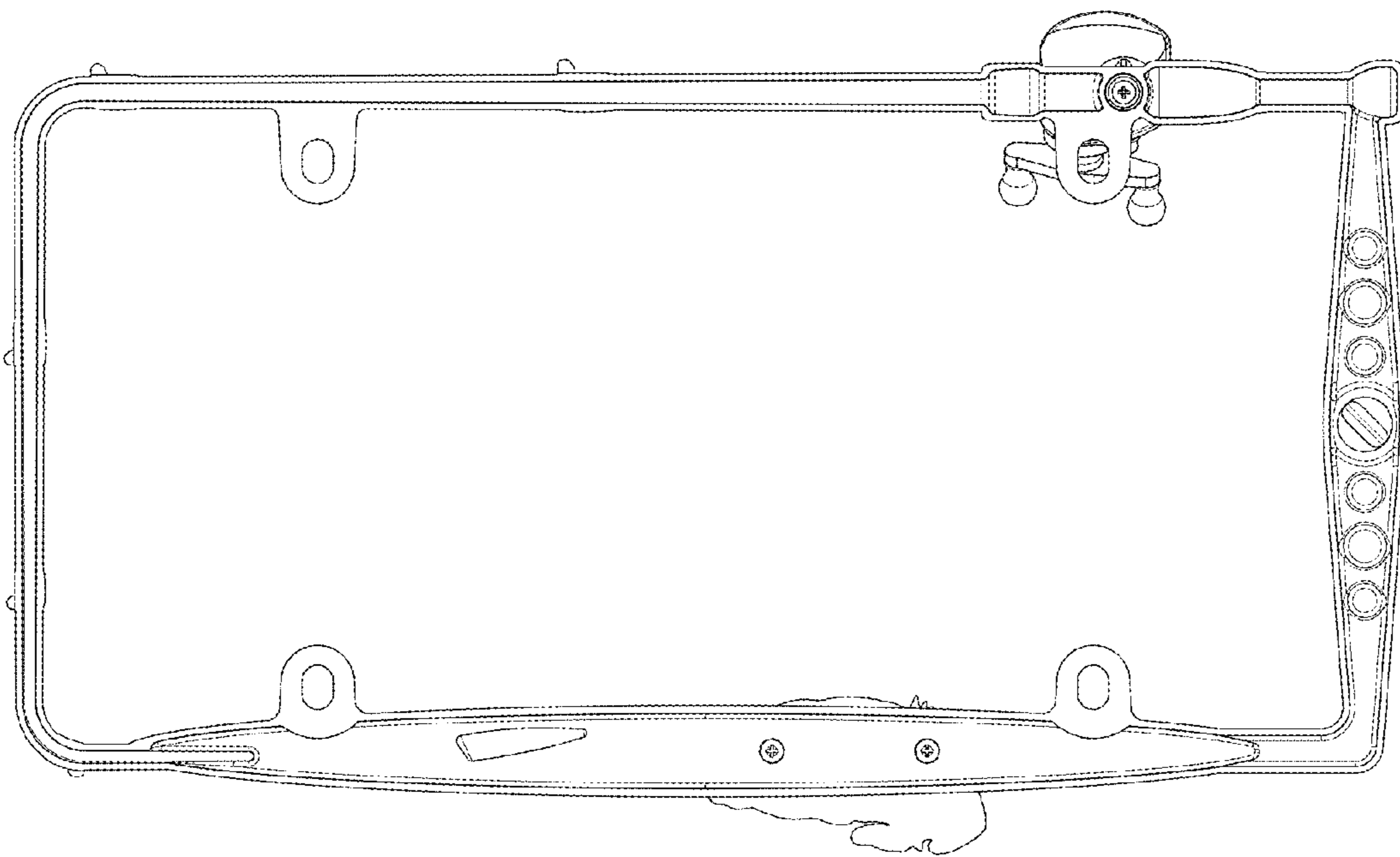


Figure 8