



US00D723434S

(12) **United States Design Patent**
McNeil

(10) **Patent No.:** **US D723,434 S**
(45) **Date of Patent:** **** Mar. 3, 2015**

(54) **PROTECTIVE STRIP WITH MAGNET FOR CAR DOORS**

(71) Applicant: **Sean Patrick McNeil**, Thousand Oaks, CA (US)

(72) Inventor: **Sean Patrick McNeil**, Thousand Oaks, CA (US)

(**) Term: **14 Years**

(21) Appl. No.: **29/465,002**

(22) Filed: **Aug. 22, 2013**

(51) **LOC (10) Cl.** **12-16**

(52) **U.S. Cl.**
USPC **D12/167**

(58) **Field of Classification Search**
USPC D12/101, 106, 167, 168, 184, 190, 191, D12/196; 150/154; 280/152.1, 152.2, 152.3, 280/160.1, 414.1–414.3, 429, 770, 280/847–851; 296/192, 193.04, 193.05, 296/198; 180/223, 225, 229, 311, 312, 315; 293/1, 126, 128, 136; D24/112–114, D24/127–131, 133, 186, 189; D19/69; D26/72, 75–78, 80; D3/273, 276, 279, D3/282, 291, 318, 321–322; D10/105; D13/133; D23/388; D25/69; D8/402

See application file for complete search history.

(56) **References Cited**

U.S. PATENT DOCUMENTS

4,221,412	A *	9/1980	Miller	293/118
4,530,519	A *	7/1985	Marshall	280/770
4,879,543	A *	11/1989	Smith, Sr.	340/473
D309,593	S *	7/1990	Bailey	D12/167
D315,542	S *	3/1991	Dalton et al.	D12/217
5,060,994	A *	10/1991	Martin et al.	293/128
D358,358	S *	5/1995	Burroughs	D12/167

D437,810	S *	2/2001	Runfola	D12/167
D446,484	S *	8/2001	Martel	D12/167
6,527,319	B1 *	3/2003	Martel	293/128
7,527,320	B1 *	5/2009	Nevell, Jr.	293/102
D653,178	S *	1/2012	Carducci	D12/167
8,496,267	B2 *	7/2013	Wohlberg et al.	280/770

* cited by examiner

Primary Examiner — Philip S Hyder

Assistant Examiner — Darlington Ly

(57) **CLAIM**

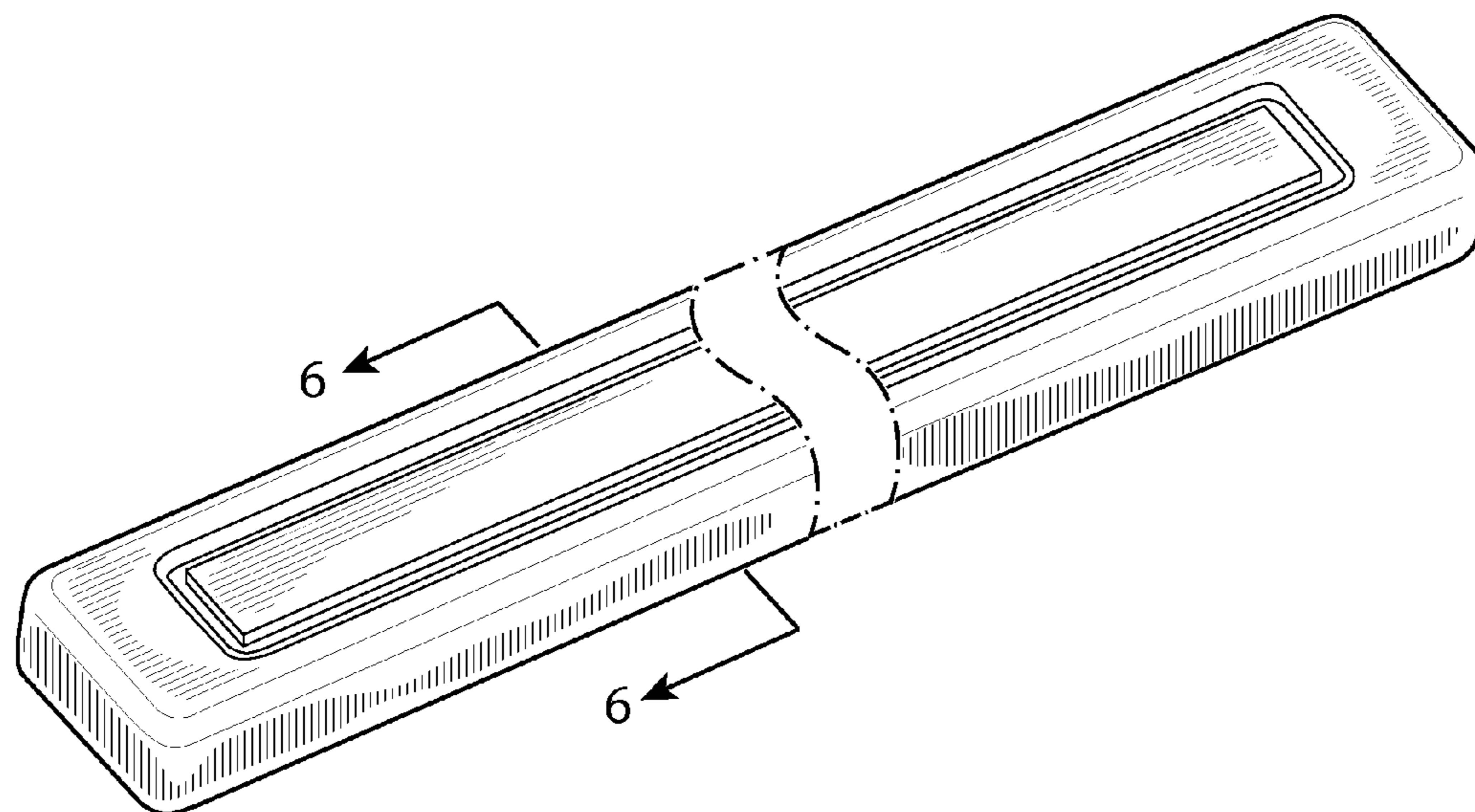
The ornamental design for a protective strip with magnet for car doors, as shown and described.

DESCRIPTION

FIG. 1 is a top, front, and side perspective view of a protective strip with magnet for car doors;
FIG. 2 is a front elevation view thereof; wherein the rear elevation view is a mirror image thereof;
FIG. 3 is a left side elevation view thereof; wherein the right side elevation view is a mirror image thereof;
FIG. 4 is a top plan view thereof;
FIG. 5 is a bottom view plan view thereof;
FIG. 6 is a cross-sectional view taken at line 6-6 shown in FIG. 1; and,
FIG. 7 is a bottom plan view thereof, wherein the protective strip with magnet for car doors is shown paired with a second strip directly above and affixed to an environmental subject of an automobile.

The broken lines shown in the drawings that illustrate an environmental automobile and cutaway symbols form no part of claimed design. The cutaway symbols illustrated in broken lines in the drawings indicate a symbolic break in the length of the design for a protective strip with magnet for car doors indicating an indeterminate length. The appearance of any portion of the article between the break lines forms no part of the claimed design.

1 Claim, 3 Drawing Sheets



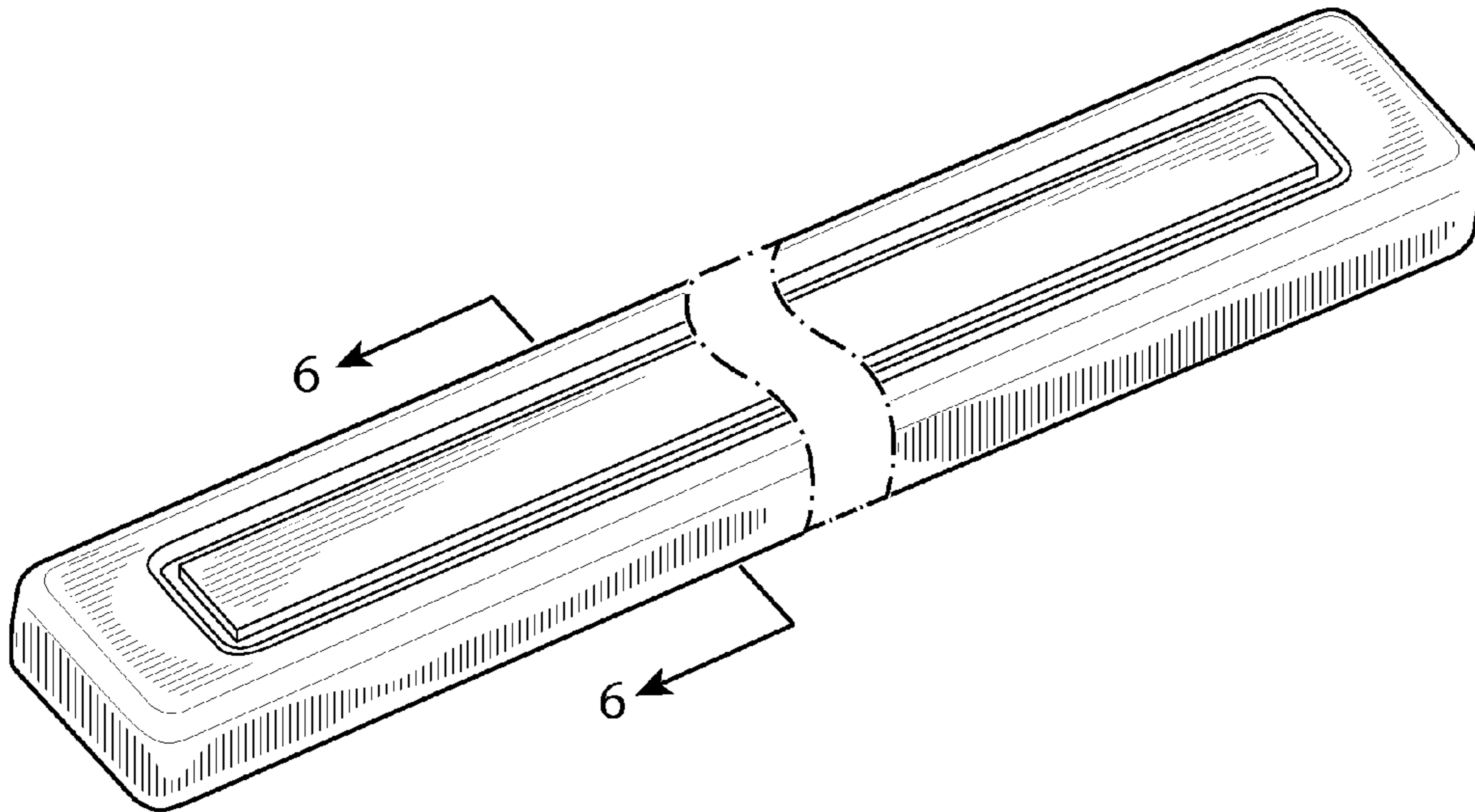


FIG. 1

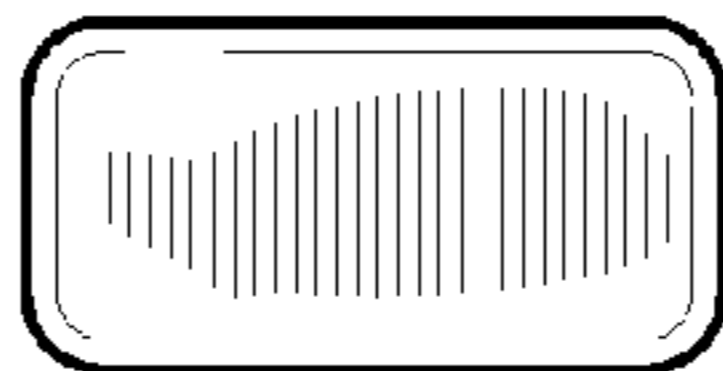


FIG. 2

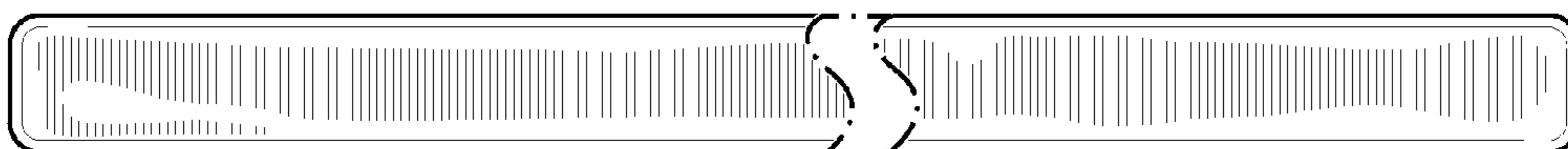


FIG. 3

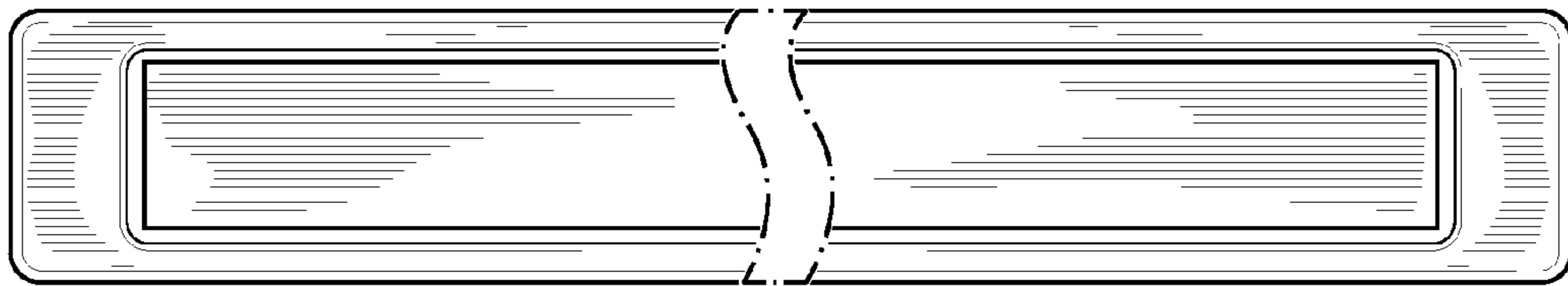


FIG. 4

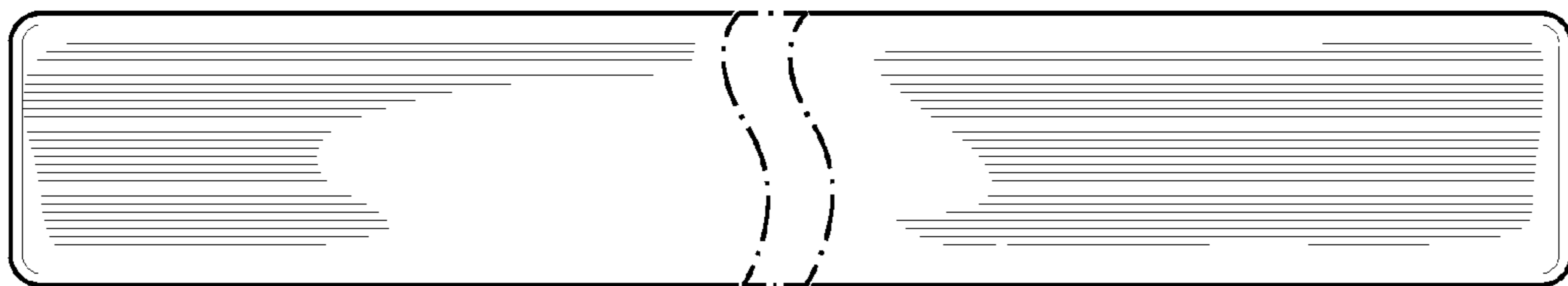


FIG. 5

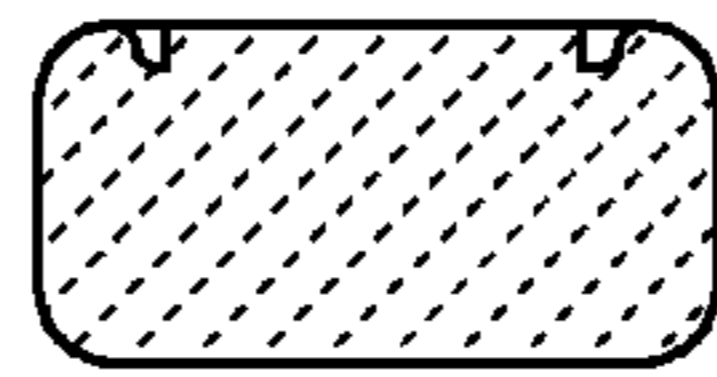


FIG. 6

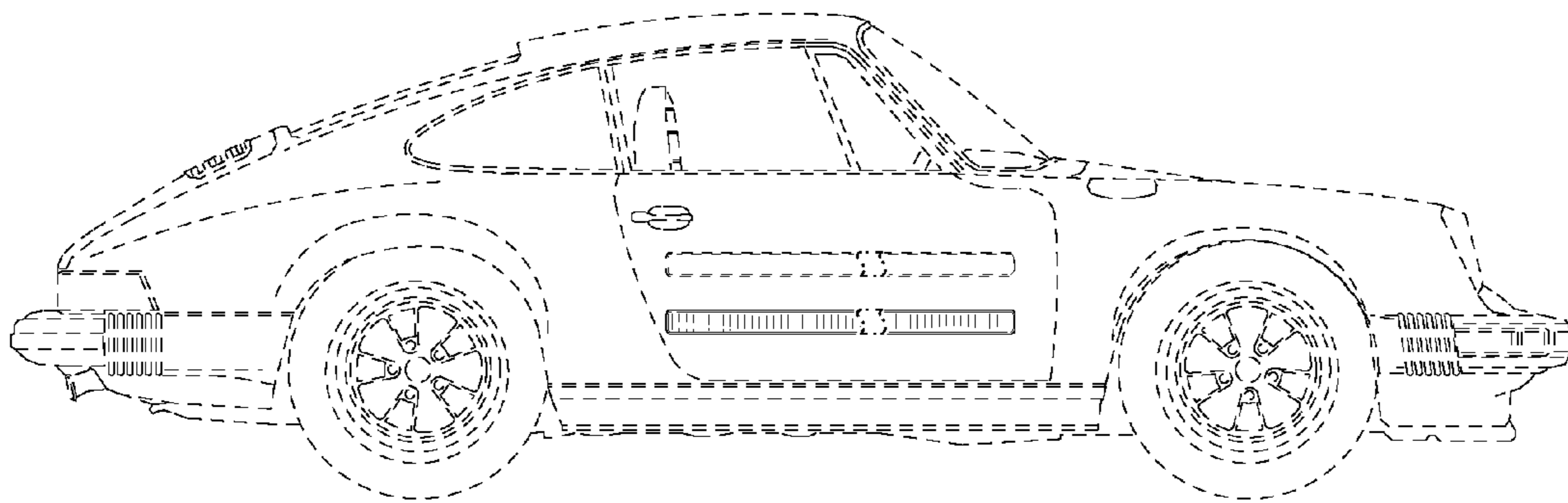


FIG. 7