



US00D723433S

(12) **United States Design Patent**  
**George et al.**

(10) **Patent No.:** **US D723,433 S**  
(45) **Date of Patent:** **\*\* Mar. 3, 2015**

- (54) **VEHICLE FRONT UPPER GRILLE**
- (71) Applicant: **Ford Motor Company**, Dearborn, MI (US)
- (72) Inventors: **Kevin George**, Canton, MI (US);  
**George Bucher**, Dearborn, MI (US);  
**Steven Gilmore**, Redford, MI (US);  
**Shawn Wehrly**, Royal Oak, MI (US)
- (73) Assignee: **Ford Motor Company**, Dearborn, MI (US)
- (\*\*) Term: **14 Years**
- (21) Appl. No.: **29/476,031**
- (22) Filed: **Dec. 10, 2013**
- (51) **LOC (10) Cl.** ..... **12-16**
- (52) **U.S. Cl.**  
USPC ..... **D12/163**
- (58) **Field of Classification Search**  
USPC ..... D12/163, 196, 171, 216, 169, 86,  
D12/90-92; 180/68.1, 68.6; 296/193.11  
See application file for complete search history.

D598,335 S *	8/2009	George et al. ....	D12/163
D603,305 S *	11/2009	Woolley et al. ....	D12/163
D604,210 S *	11/2009	Kim .....	D12/163
D630,975 S *	1/2011	Sperling et al. ....	D12/163
D631,405 S *	1/2011	Kuze .....	D12/163
8,157,303 B2 *	4/2012	Fortin .....	293/115
D664,480 S *	7/2012	Platto et al. ....	D12/163
D678,140 S *	3/2013	Hamilton et al. ....	D12/169
D680,920 S *	4/2013	Jara .....	D12/163
D698,705 S *	2/2014	Rupar .....	D12/163
D712,317 S *	9/2014	George et al. ....	D12/163

\* cited by examiner

*Primary Examiner* — Melody N Brown

(74) *Attorney, Agent, or Firm* — Damian Porcari

(57) **CLAIM**

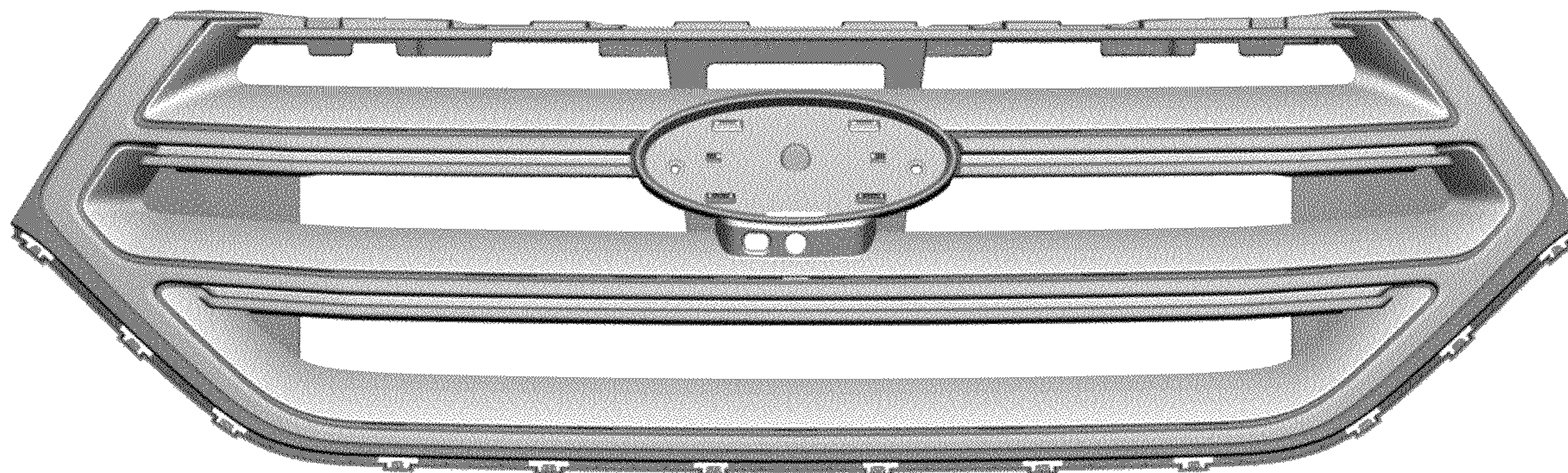
The ornamental design for a vehicle front upper grille, as shown and described.

**DESCRIPTION**

FIG. 1 is a perspective view of a vehicle front upper grille; FIG. 2 is another perspective view thereof; FIG. 3 is a front elevational view thereof; FIG. 4 is a rear elevational view thereof; FIG. 5 is a left side elevational view thereof; FIG. 6 is a right side elevational view thereof; FIG. 7 is a top plan view thereof; and, FIG. 8 is a bottom plan view thereof.

**1 Claim, 8 Drawing Sheets**

- (56) **References Cited**  
U.S. PATENT DOCUMENTS  
7,152,915 B2 \* 12/2006 Diehl et al. .... 296/193.1  
D538,716 S \* 3/2007 Hogios ..... D12/163



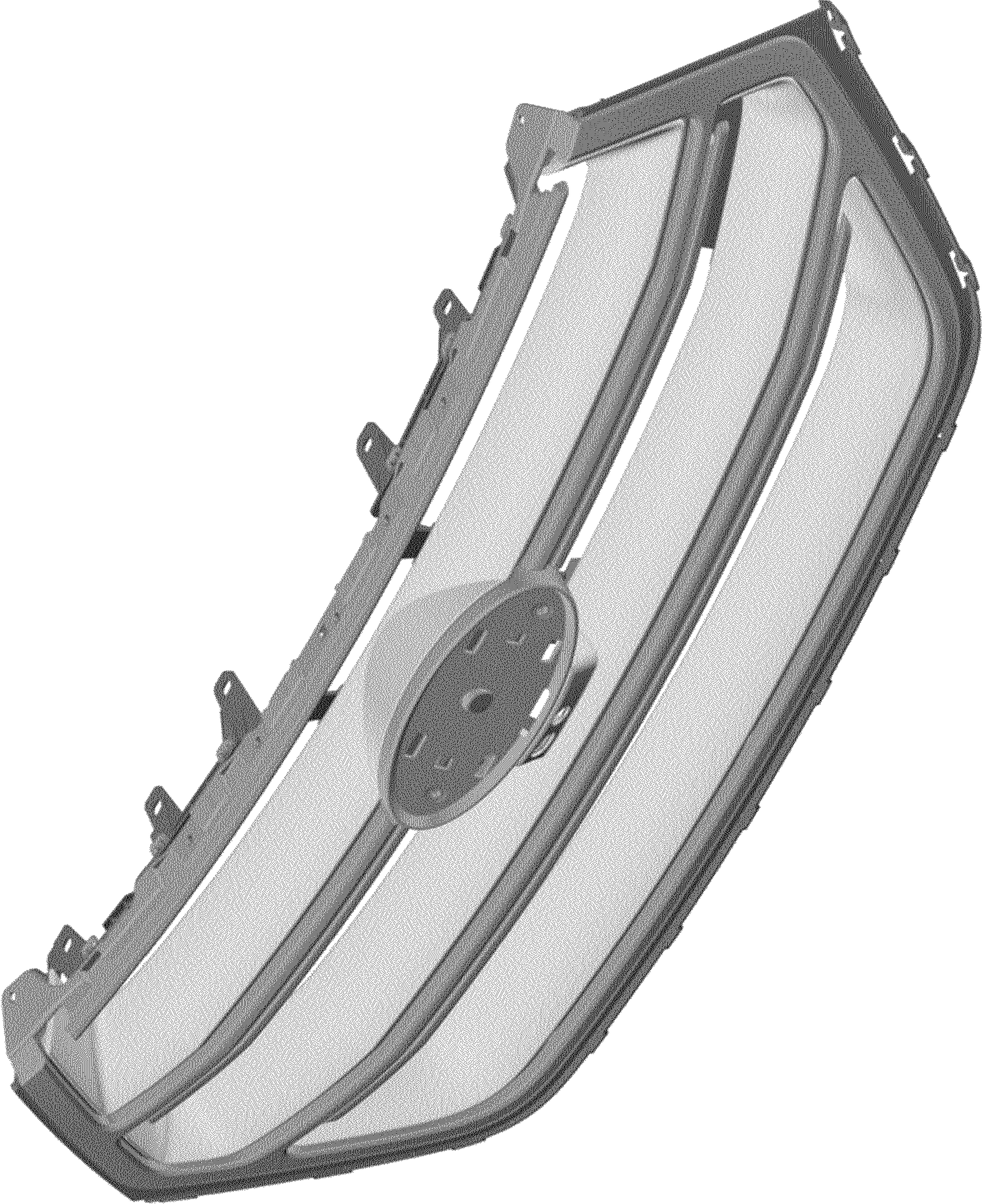


Figure 1



Figure 2

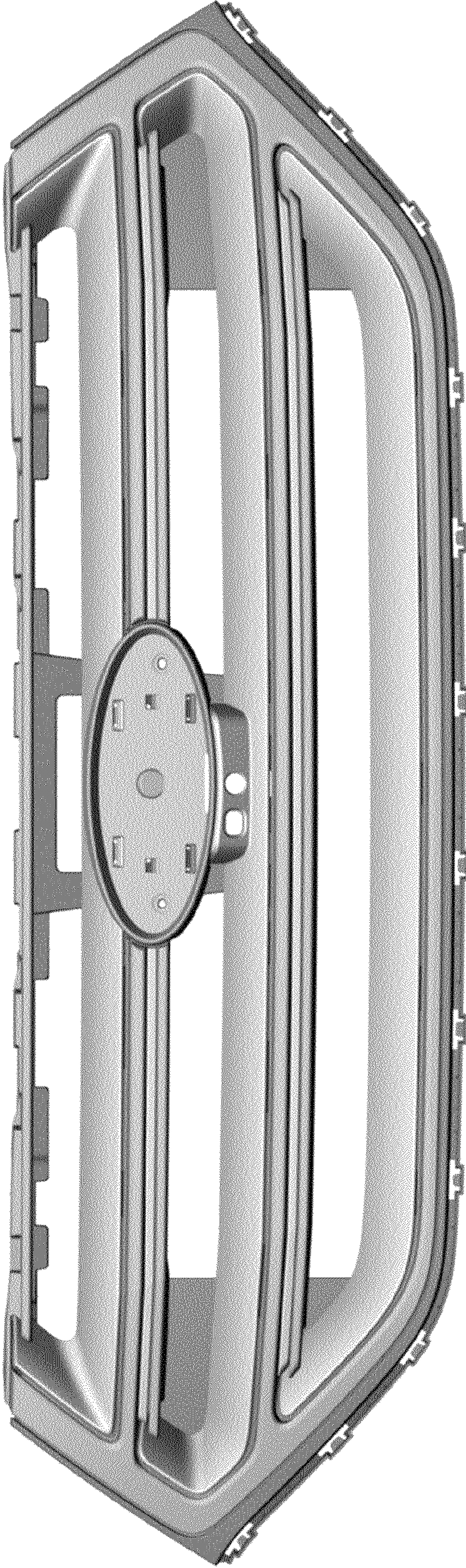


Figure 3

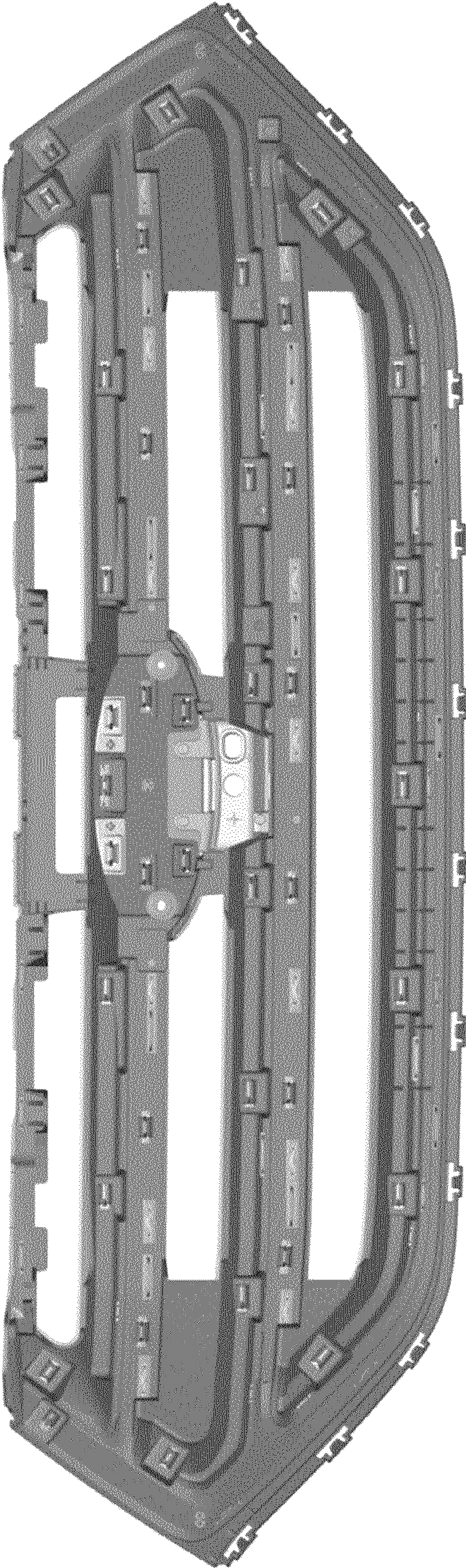


Figure 4

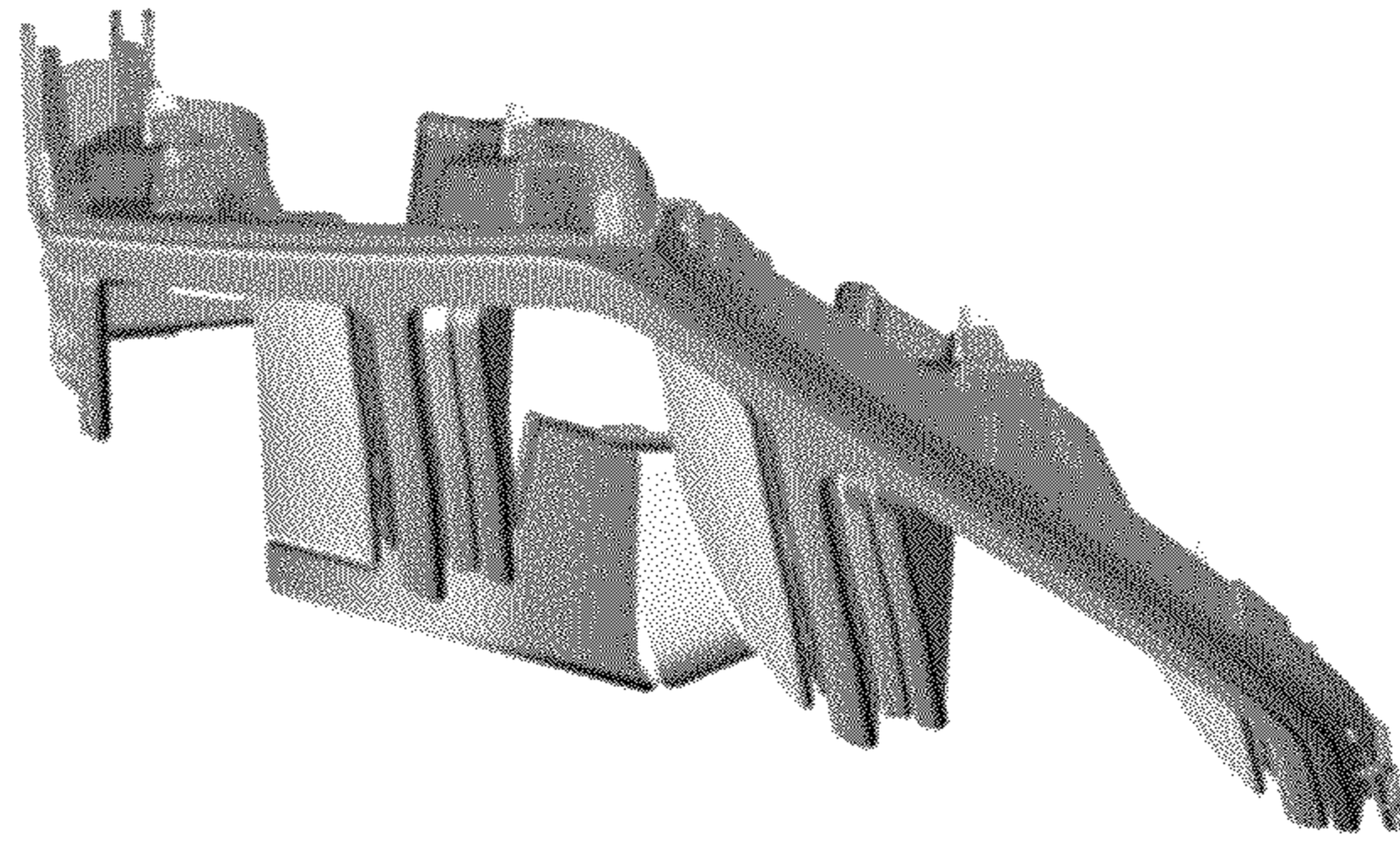


Figure 5

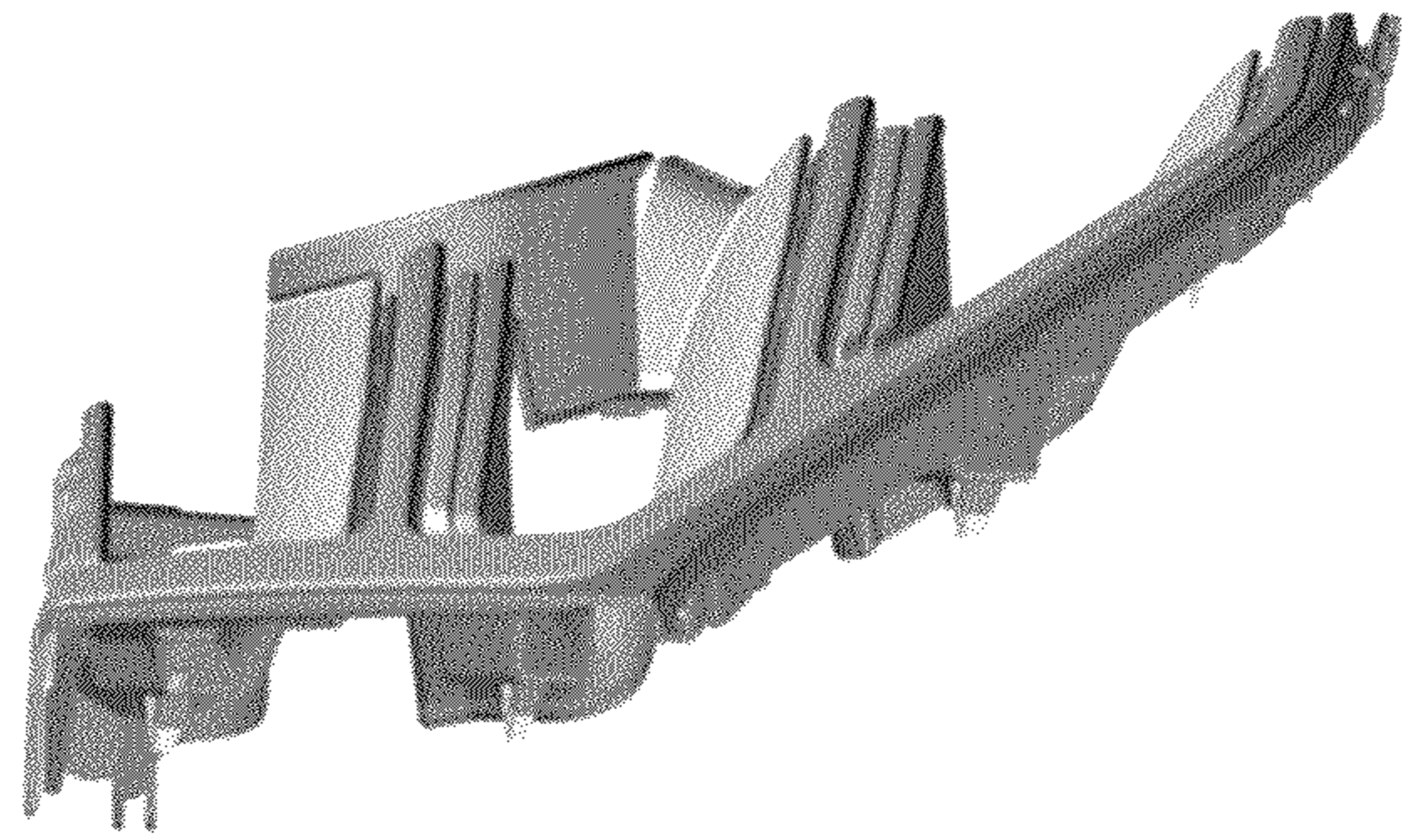


Figure 6

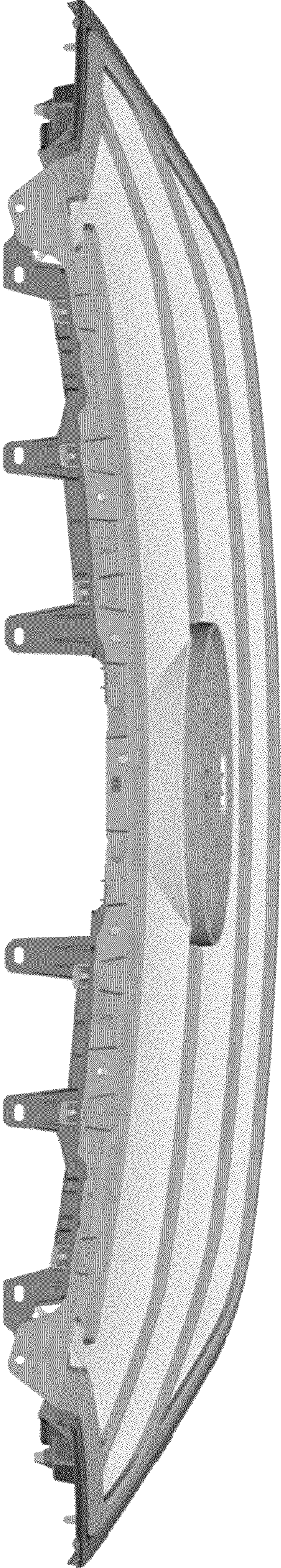


Figure 7



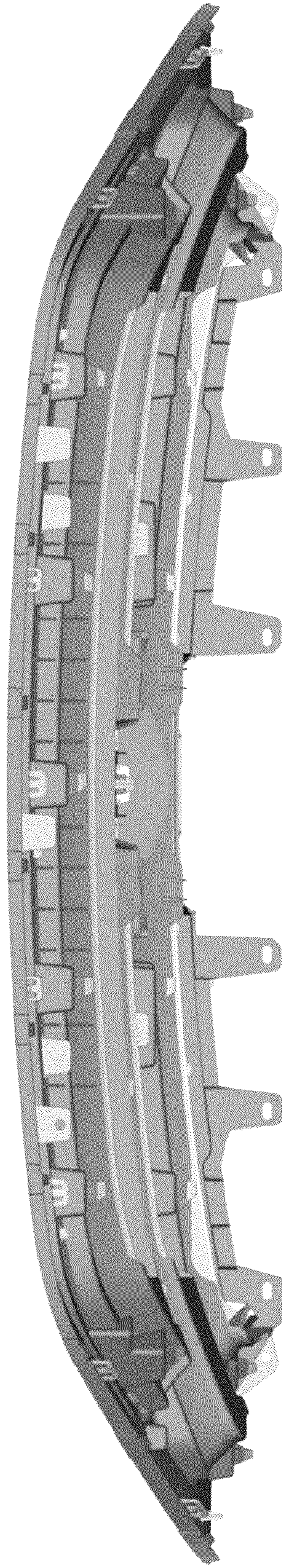


Figure 8