



US00D723430S

(12) **United States Design Patent**
Schmidt

(10) **Patent No.:** **US D723,430 S**
(45) **Date of Patent:** **** Mar. 3, 2015**

(54) **MOTORCYCLE, TOY, AND/OR REPLICAS THEREOF**

(71) Applicant: **Bayerische Motoren Werke Aktiengesellschaft, Munich (DE)**

(72) Inventor: **Harry Schmidt, Munich (DE)**

(73) Assignee: **Bayerische Motoren Werke Aktiengesellschaft, Munich (DE)**

(**) Term: **14 Years**

(21) Appl. No.: **29/477,227**

(22) Filed: **Dec. 20, 2013**

(30) **Foreign Application Priority Data**

Jul. 2, 2013 (DE) 40 2013 100 575

(51) **LOC (10) Cl.** **12-11**

(52) **U.S. Cl.**
USPC **D12/110**

(58) **Field of Classification Search**
USPC D12/110, 111, 85, 114, 126, 115;
180/206.7, 206.4, 228; 280/288.4,
280/304.3, 770, 850, 291; 23/184.21,
23/184.36, 198 E; 192/48.9, 83; 293/105;
74/564

See application file for complete search history.

(56) **References Cited**

U.S. PATENT DOCUMENTS

D383,096 S * 9/1997 Abe et al. D12/110
D544,816 S * 6/2007 Davidson et al. D12/110
D559,738 S * 1/2008 Takigawa et al. D12/110
D566,010 S * 4/2008 Hohdorf et al. D12/110
D567,148 S * 4/2008 Inose et al. D12/110

D594,785 S * 6/2009 Sasanami et al. D12/110
D597,892 S * 8/2009 Andoh D12/110
D601,061 S * 9/2009 Heinrich et al. D12/110
D605,087 S * 12/2009 Wong D12/110
D610,046 S * 2/2010 Miyake D12/110
D649,914 S * 12/2011 Marasco et al. D12/110
D651,138 S * 12/2011 Lai et al. D12/110
D683,270 S * 5/2013 Song D12/110
D683,271 S * 5/2013 Song D12/110
D690,237 S * 9/2013 Carducci et al. D12/110
D694,154 S * 11/2013 Arru et al. D12/110
D695,648 S * 12/2013 Yamazaki et al. D12/110
2008/0246250 A1 * 10/2008 LaCour 280/288.4

FOREIGN PATENT DOCUMENTS

EM 001051106-0001 12/2008

* cited by examiner

Primary Examiner — Eric Goodman

Assistant Examiner — Ryan Harvey

(74) *Attorney, Agent, or Firm* — Crowell & Moring LLP

(57) **CLAIM**

The ornamental design for a motorcycle, toy, and/or replicas thereof, as shown and described.

DESCRIPTION

FIG. 1 is a left, front perspective view of a motorcycle, toy, and/or replicas thereof according to the design;

FIG. 2 is a left side view thereof;

FIG. 3 is a right side view thereof;

FIG. 4 is a front view thereof;

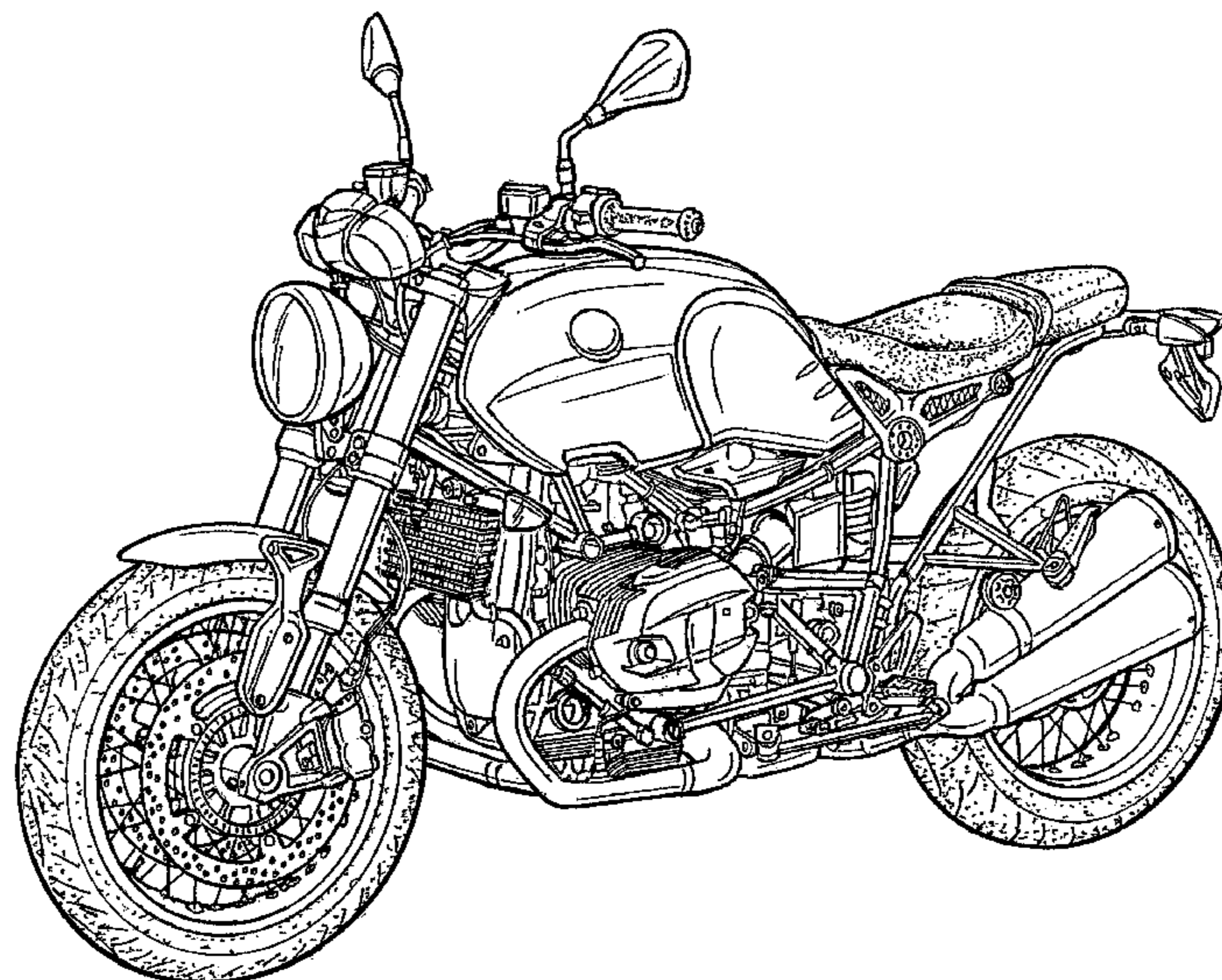
FIG. 5 is a rear view thereof;

FIG. 6 is a top view thereof; and,

FIG. 7 is a bottom view thereof.

The broken lines illustrate portions of the article that form not part of the claimed design.

1 Claim, 6 Drawing Sheets



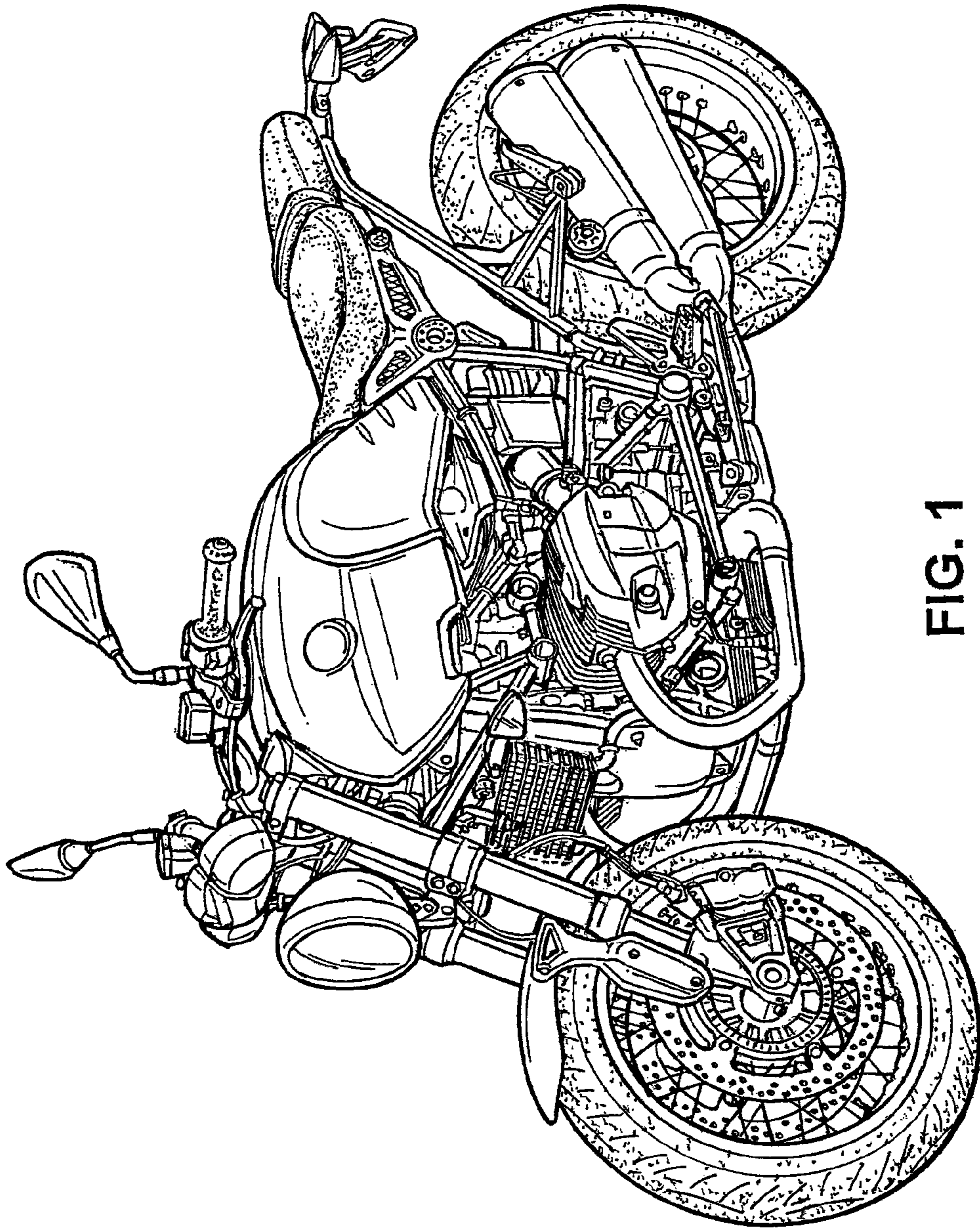


FIG. 1

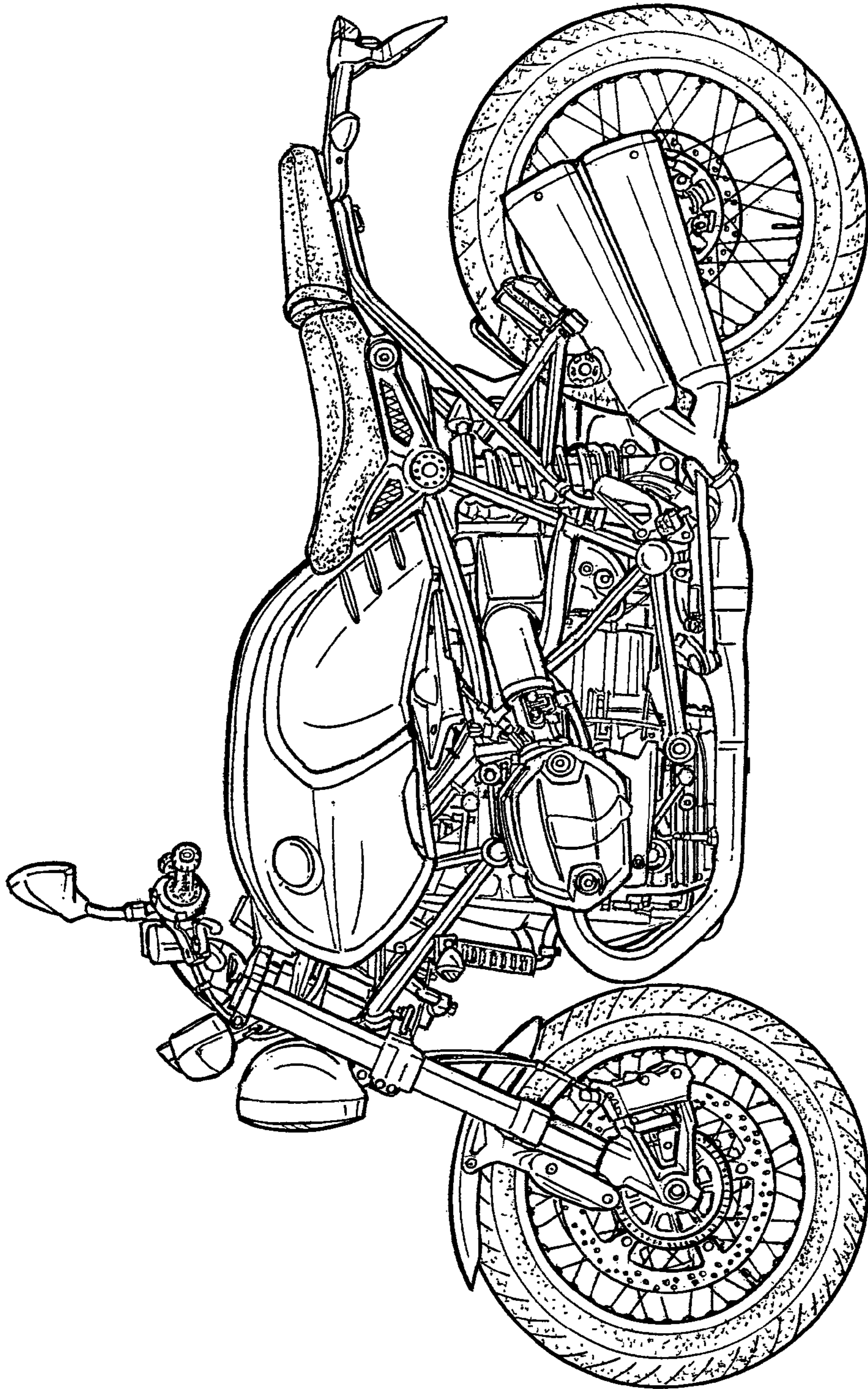


FIG. 2

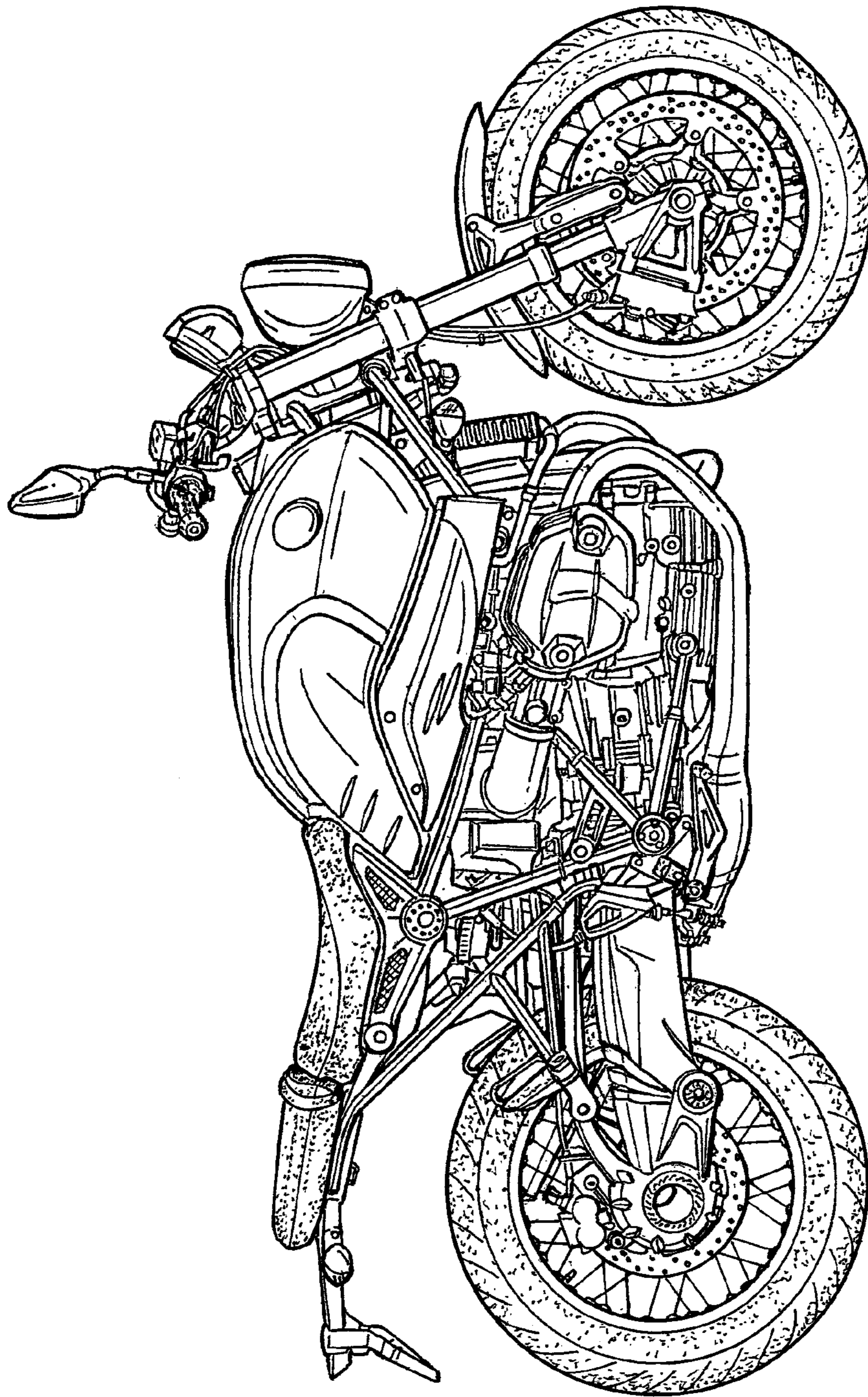


FIG. 3

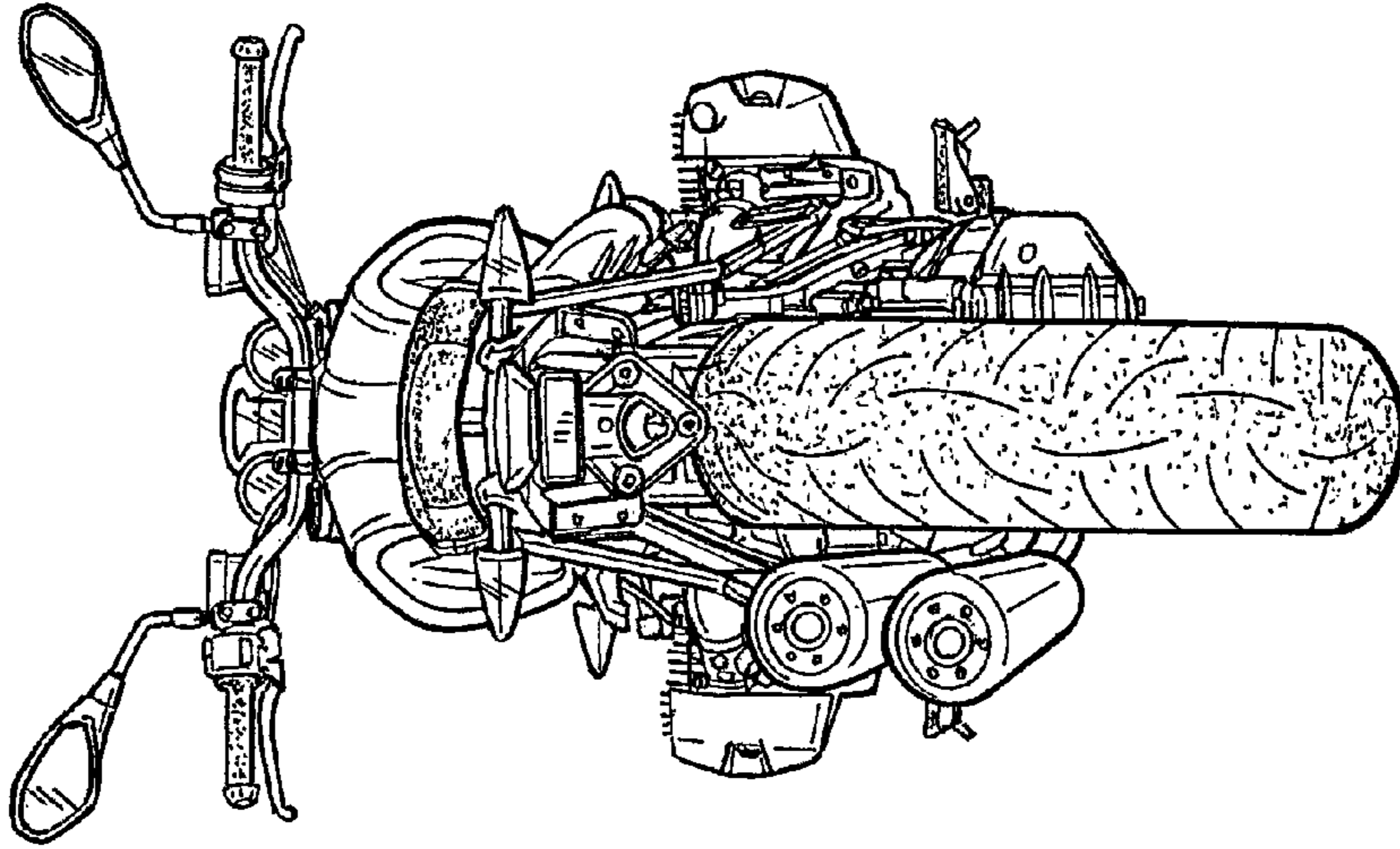


FIG. 5

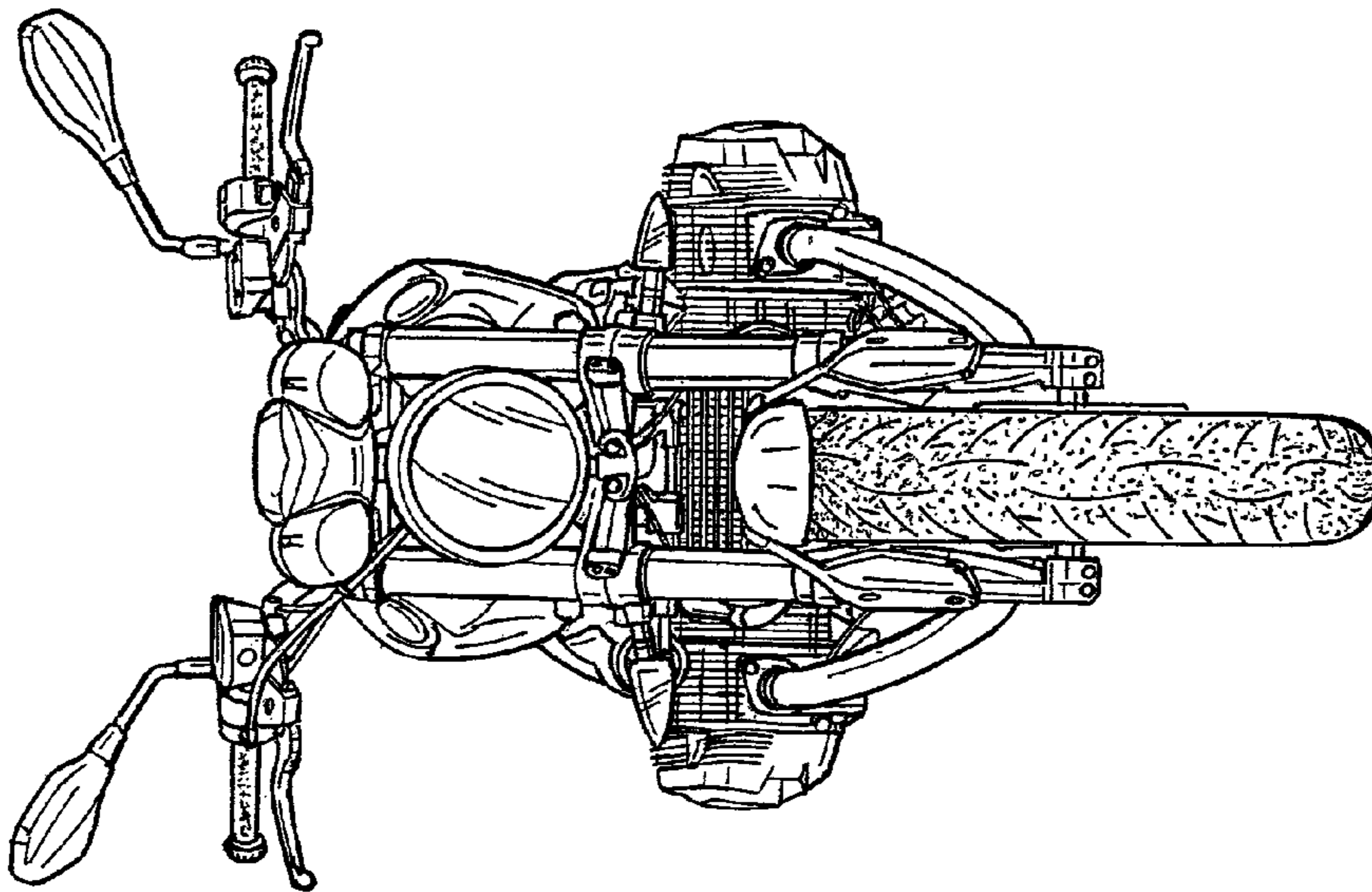


FIG. 4

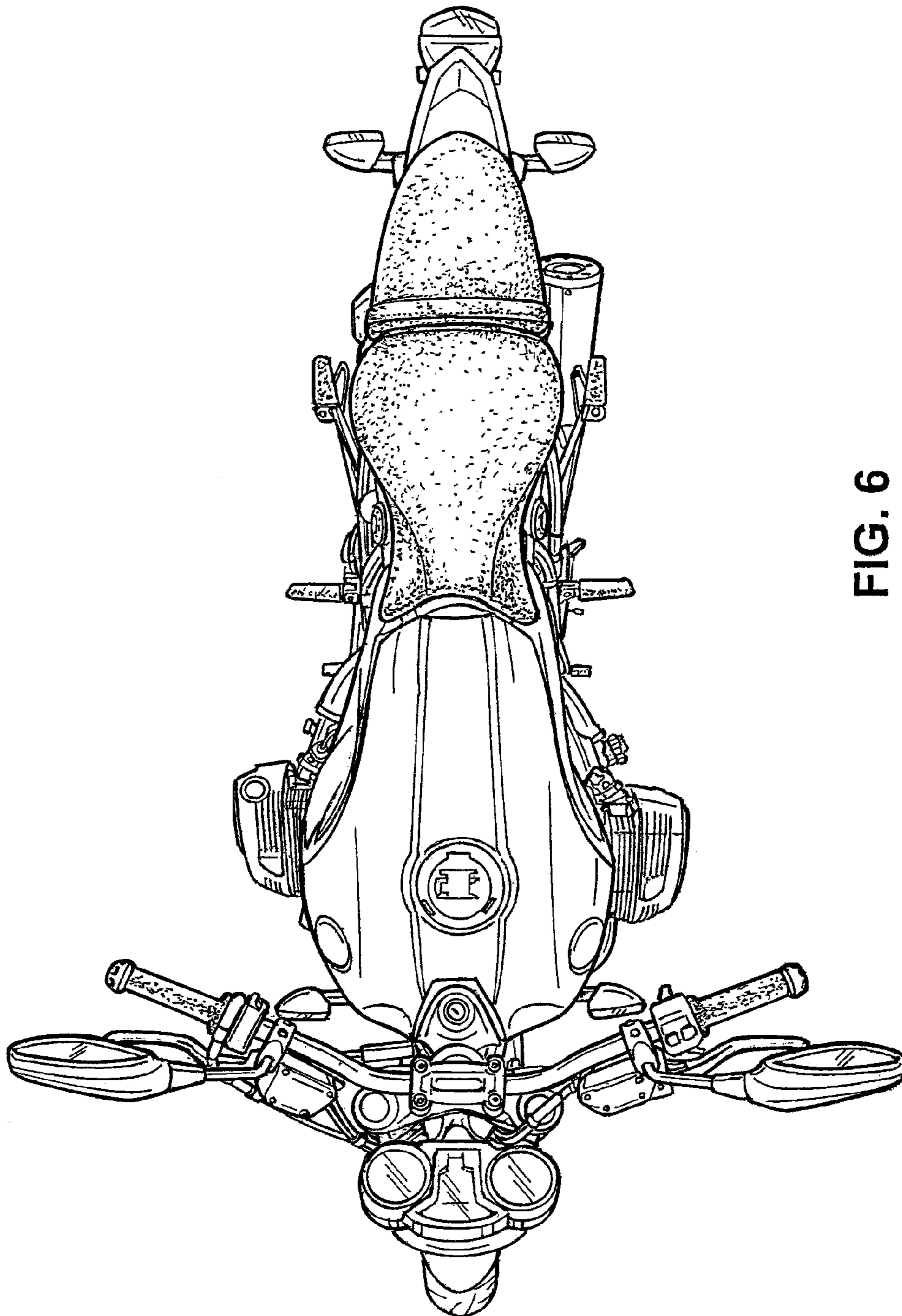


FIG. 6

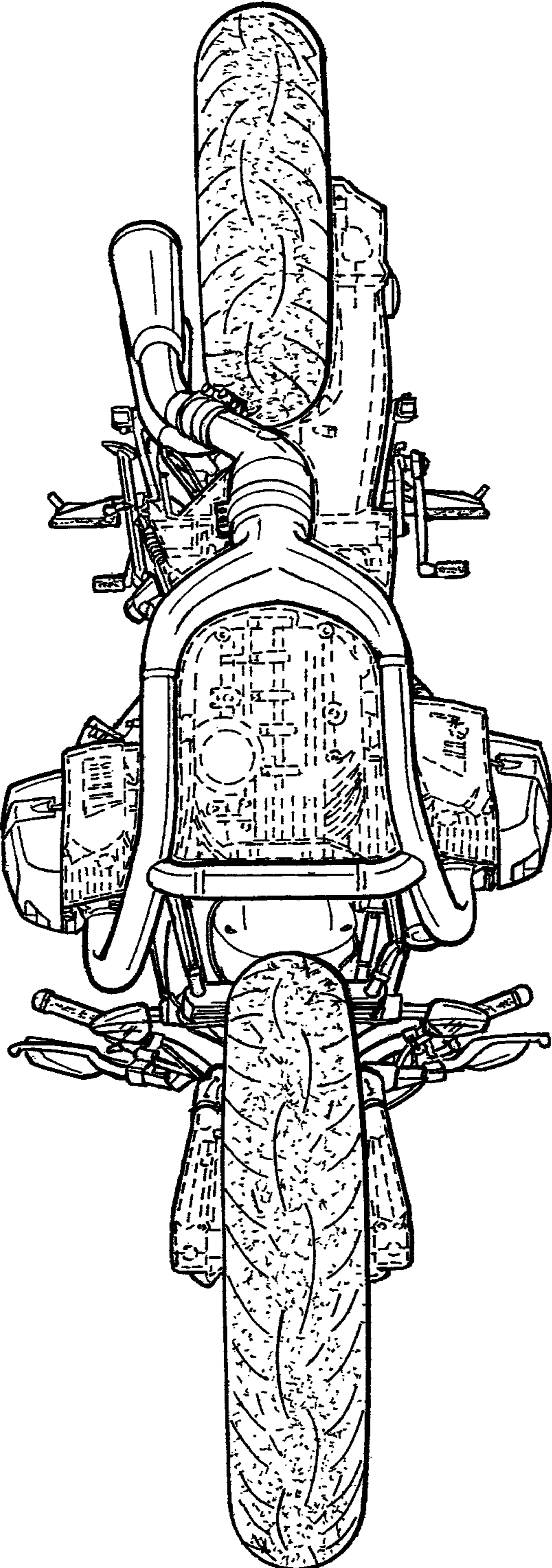


FIG. 7