

US00D723428S

(12) **United States Design Patent**
Sperling et al.

(10) **Patent No.:** **US D723,428 S**
(45) **Date of Patent:** **** Mar. 3, 2015**

(54) **MOTOR VEHICLE AND/OR TOY REPLICA THEREOF**

(71) Applicants: **Matthew Niven Sperling**, Huntington Beach, CA (US); **Chung Lee**, Ann Arbor, MI (US)

(72) Inventors: **Matthew Niven Sperling**, Huntington Beach, CA (US); **Chung Lee**, Ann Arbor, MI (US)

(73) Assignee: **Toyota Jidosha Kabushiki Kaisha**, Toyota-shi, Aichi-ken (JP)

(**) Term: **14 Years**

(21) Appl. No.: **29/458,675**

(22) Filed: **Jun. 21, 2013**

(30) **Foreign Application Priority Data**

Dec. 26, 2012 (JP) 2012-031495
Dec. 26, 2012 (JP) 2012-031497
Dec. 26, 2012 (JP) 2012-031498

(51) **LOC (10) CL.** **12-08**

(52) **U.S. Cl.**
USPC **D12/98**

(58) **Field of Classification Search**
USPC D12/86, 90, 91, 92, 98; D21/533;
296/181.1, 181.5, 183.1, 37.6
See application file for complete search history.

(56) **References Cited**

U.S. PATENT DOCUMENTS

D430,068 S * 8/2000 Castiglione et al. D12/98
D516,957 S * 3/2006 O'Connell et al. D12/91
D537,016 S * 2/2007 Shimoguchi et al. D12/98
D570,743 S * 6/2008 Takagi et al. D12/98
D588,501 S * 3/2009 Krugger et al. D12/98
D589,407 S * 3/2009 Krugger et al. D12/98
D596,532 S * 7/2009 Opfer et al. D12/98

D601,925 S * 10/2009 O'Donnell D12/98
D604,203 S * 11/2009 O'Donnell D12/98
D657,718 S * 4/2012 Zipfel et al. D12/98
D659,053 S * 5/2012 Ware et al. D12/98

OTHER PUBLICATIONS

"2013 Toyota Tacoma." Sep. 5, 2012 [online], [retrieved on Aug. 29, 2014]. Retrieved from the Internet <URL: <https://pictures.dealer.com/actontoyota/f37beb3b0a0d02b7017119702b764a5f.pdf>>.*

"2013 Toyota Tundra." Oct. 17, 2012 [online], [retrieved on Aug. 29, 2014]. Retrieved from the Internet <URL: http://www.toyotacertified.com/ebrochures/13_tundra.pdf>.*

Netcarshow.com; URL: <http://www.netcarshow.com>; Mfg.: Ford; Model: Ford F-150; available on at least Jun. 13, 2012.

Netcarshow.com; URL: http://www.netcarshow.com/dodge/2009-ram_1500/; Mfg.: Dodge; Model: Dodge Ram 1500 (2009); available on at least Jun. 13, 2012.

* cited by examiner

Primary Examiner — Philip S Hyder

Assistant Examiner — Darlington Ly

(74) *Attorney, Agent, or Firm* — Finnegan, Henderson, Farabow, Garrett & Dunner, LLP

(57) **CLAIM**

The ornamental design for a motor vehicle and/or toy replica thereof, as shown and described.

DESCRIPTION

FIG. 1 is a front right perspective view of a motor vehicle and/or toy replica thereof showing our new design;

FIG. 2 is a rear right perspective view thereof;

FIG. 3 is a right side view thereof;

FIG. 4 is a left side view thereof;

FIG. 5 is a front view thereof;

FIG. 6 is a rear view thereof; and,

FIG. 7 is a top plan view thereof.

The bottom view of the motor vehicle forms no part of the claimed design.

1 Claim, 3 Drawing Sheets





FIG. 1



FIG. 2

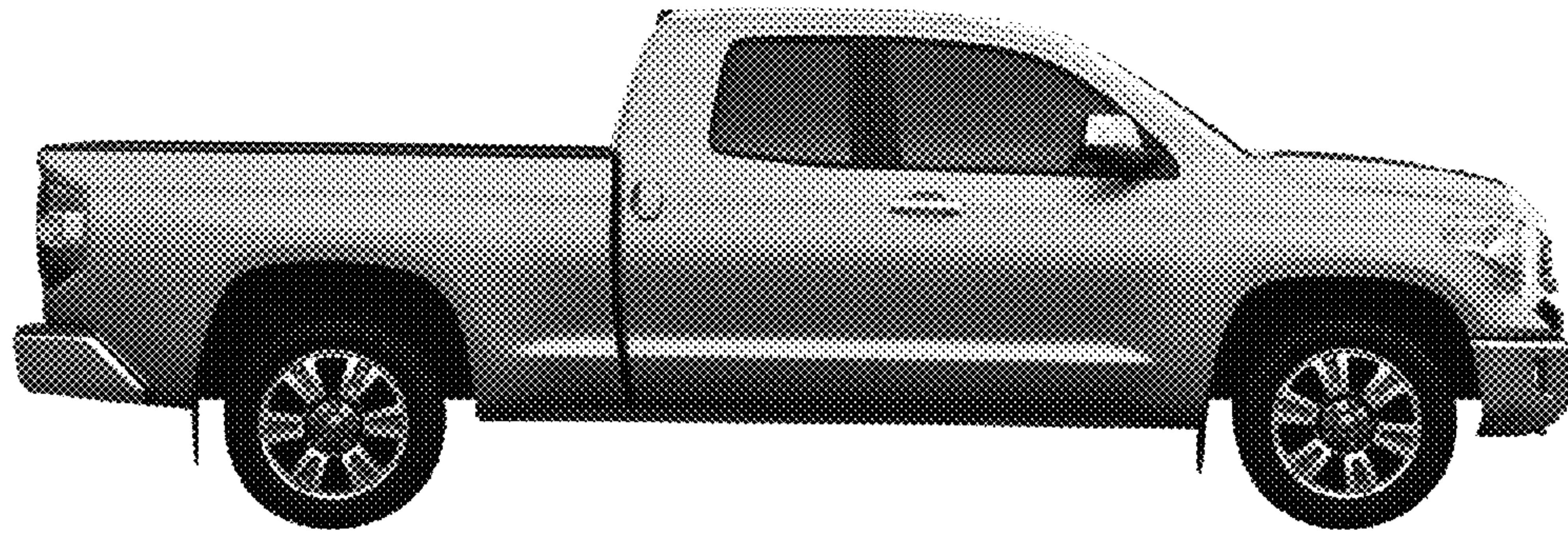


FIG. 3

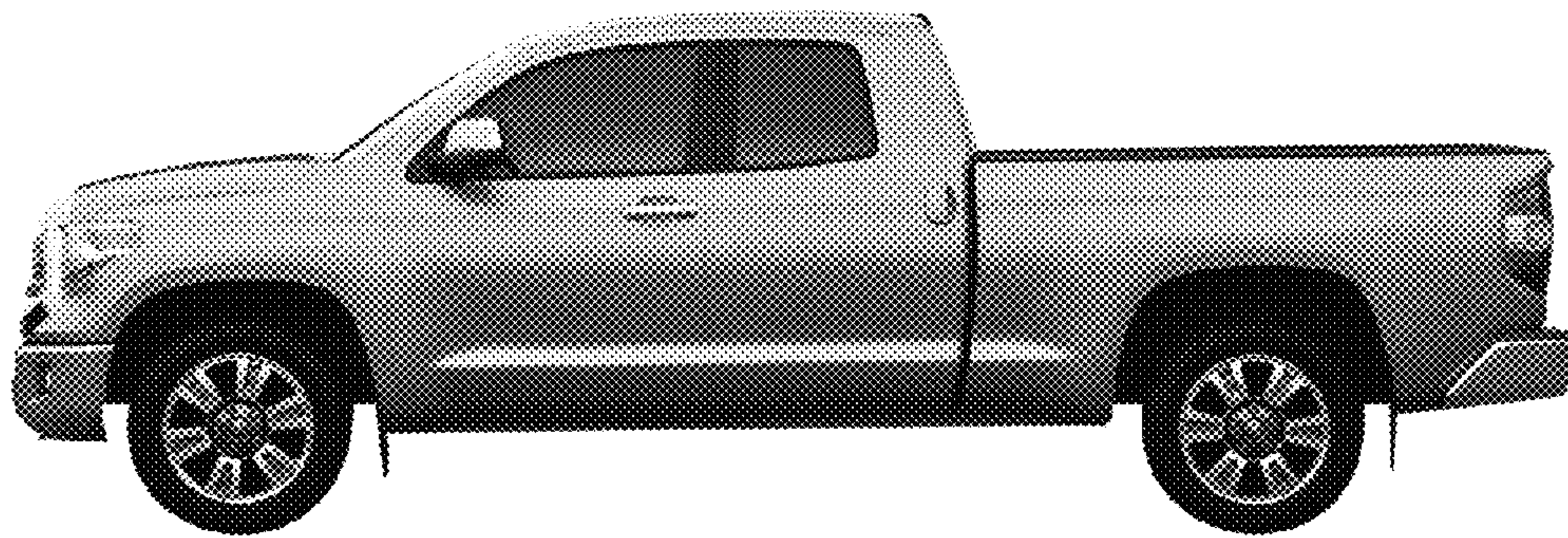


FIG. 4



FIG. 5



FIG. 6

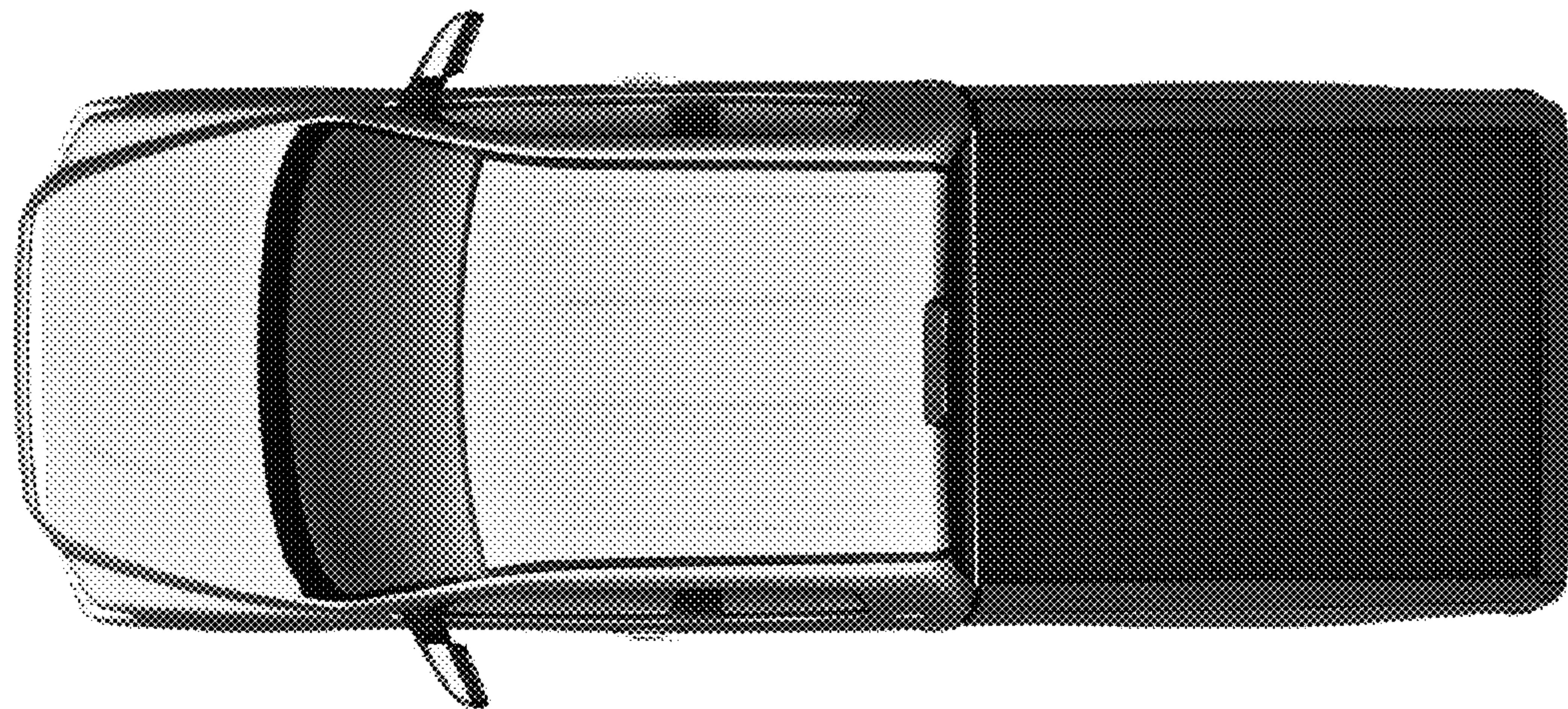


FIG. 7